



US00D434958S

# United States Patent [19] Izumisawa

[11] Patent Number: **Des. 434,958**

[45] Date of Patent: **\*\* Dec. 12, 2000**

[54] **IMPACT WRENCH**

3,661,217 5/1972 Maurer .  
3,833,068 9/1974 Hall .

[75] Inventor: **Osamu Izumisawa**, Tokyo, Japan

(List continued on next page.)

[73] Assignee: **S.P. Air Kabasiki Kaisha**, Nagano Pref., Japan

### FOREIGN PATENT DOCUMENTS

[\*\*] Term: **14 Years**

0849052A2 6/1998 European Pat. Off. .

### OTHER PUBLICATIONS

[21] Appl. No.: **29/117,546**

Ingersoll-Rand publication entitled, "Ingersoll-Rand Automotive Power Tools Catalog," 1996, pp. 1, 8-9, 11-17, 23 and 41.

[22] Filed: **Jan. 26, 2000**

Mermaid Distributors publication entitled, "Shinano Pneumatic Ind. Inc.," published at least as early as Jan. 26, 2000. Coventrys publication entitled, "Coventrys SP Air," Sep. 1994.

[51] **LOC (7) Cl.** ..... **08-05**

[52] **U.S. Cl.** ..... **D8/68**

[58] **Field of Search** ..... D8/68; 81/54, 81/57.13, 57.14; 173/169, 170

SP Air Corporation publication entitled, "1/2 [inch] Square Drive Impact Wrenches," published at least as early as Jan. 26, 2000.

### [56] References Cited

#### U.S. PATENT DOCUMENTS

- Re. 35,617 9/1997 Krivec .
- D. 205,091 6/1966 Averitt .
- D. 223,134 3/1972 Bunyea ..... D8/61
- D. 256,771 9/1980 Kitagawa et al. .
- D. 256,980 9/1980 Adams et al. .
- D. 288,769 3/1987 Doman .
- D. 288,770 3/1987 Doman .
- D. 289,136 4/1987 Doman .
- D. 294,001 2/1988 Greenlee et al. .... D8/61
- D. 299,411 1/1989 Porcaro .
- D. 313,736 1/1991 Boliver et al. .
- D. 316,019 4/1991 Belanger .
- D. 319,763 9/1991 Reiferscheid .
- D. 324,801 3/1992 Caskey et al. .
- D. 324,802 3/1992 Caskey et al. .
- D. 327,830 7/1992 Fisher .
- D. 329,580 9/1992 Sasaki et al. .
- D. 344,000 2/1994 Shibata et al. .
- D. 360,129 7/1995 Guegan et al. .
- D. 364,544 11/1995 Izumisawa .
- D. 388,678 1/1998 Bantly et al. .
- D. 393,580 4/1998 Bantly et al. .
- D. 394,995 6/1998 Cooper .
- D. 400,074 10/1998 Cooper .
- D. 403,564 1/1999 Izumisawa .
- D. 410,830 6/1999 Pusateri et al. .... D8/61
- 2,829,285 4/1958 Steiner et al. .
- 3,352,368 11/1967 Maffey, Jr. .
- 3,605,914 9/1971 Kramer .

Shinano Pneumatic Industries Inc. publication entitled, "SP Air," published at least as early as Jan. 26, 2000.

Shinano Pneumatic Industries Inc. publication entitled, "SP Pneumatic Tools," published at least as early as Jan. 26, 2000, pp. 1-2, 7-12 and 15.

Burson Auto Parts publication entitled, "Burson Auto Parts SP Air," 1994.

Viking Air Tools untitled publication, Aug. 1990.

*Primary Examiner*—Antoine Duval Davis

*Attorney, Agent, or Firm*—Senniger, Powers, Leavitt & Roedel

### [57] CLAIM

The ornamental design for an impact wrench, as shown and described.

### DESCRIPTION

FIG. 1 is a right side elevation of an impact wrench of the present invention, the left side elevation being a mirror image of the right side elevation;

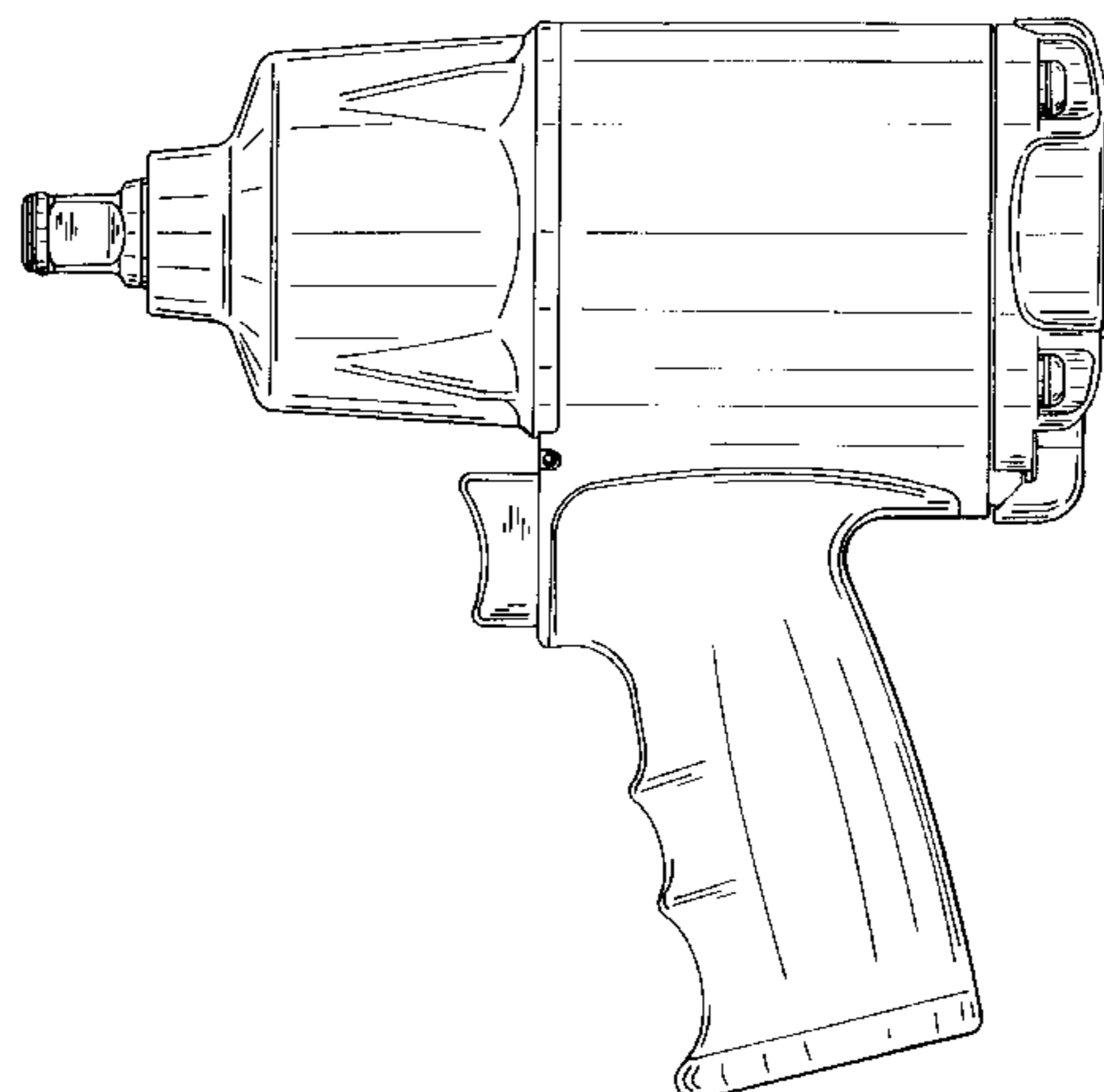
FIG. 2 is a front elevation of the wrench;

FIG. 3 is a rear elevation of the wrench;

FIG. 4 is a top plan of the wrench; and,

FIG. 5 is a bottom plan of the wrench.

**1 Claim, 3 Drawing Sheets**



# Des. 434,958

Page 2

---

## U.S. PATENT DOCUMENTS

3,880,245	4/1975	Anderson, Jr. .		5,083,619	1/1992	Giardino et al. .	
3,924,961	12/1975	Hess et al. ....	173/169 X	5,199,505	4/1993	Izumisawa .	
3,951,217	4/1976	Wallace et al. .		5,269,733	12/1993	Anthony, III .	
4,379,492	4/1983	Hiraoka .		5,377,769	1/1995	Hasuo et al. .	
4,778,015	10/1988	Jacobsson .		5,918,686	7/1999	Izumisawa .	
				6,062,323	5/2000	Pusateri et al. ....	173/169

FIG. 1

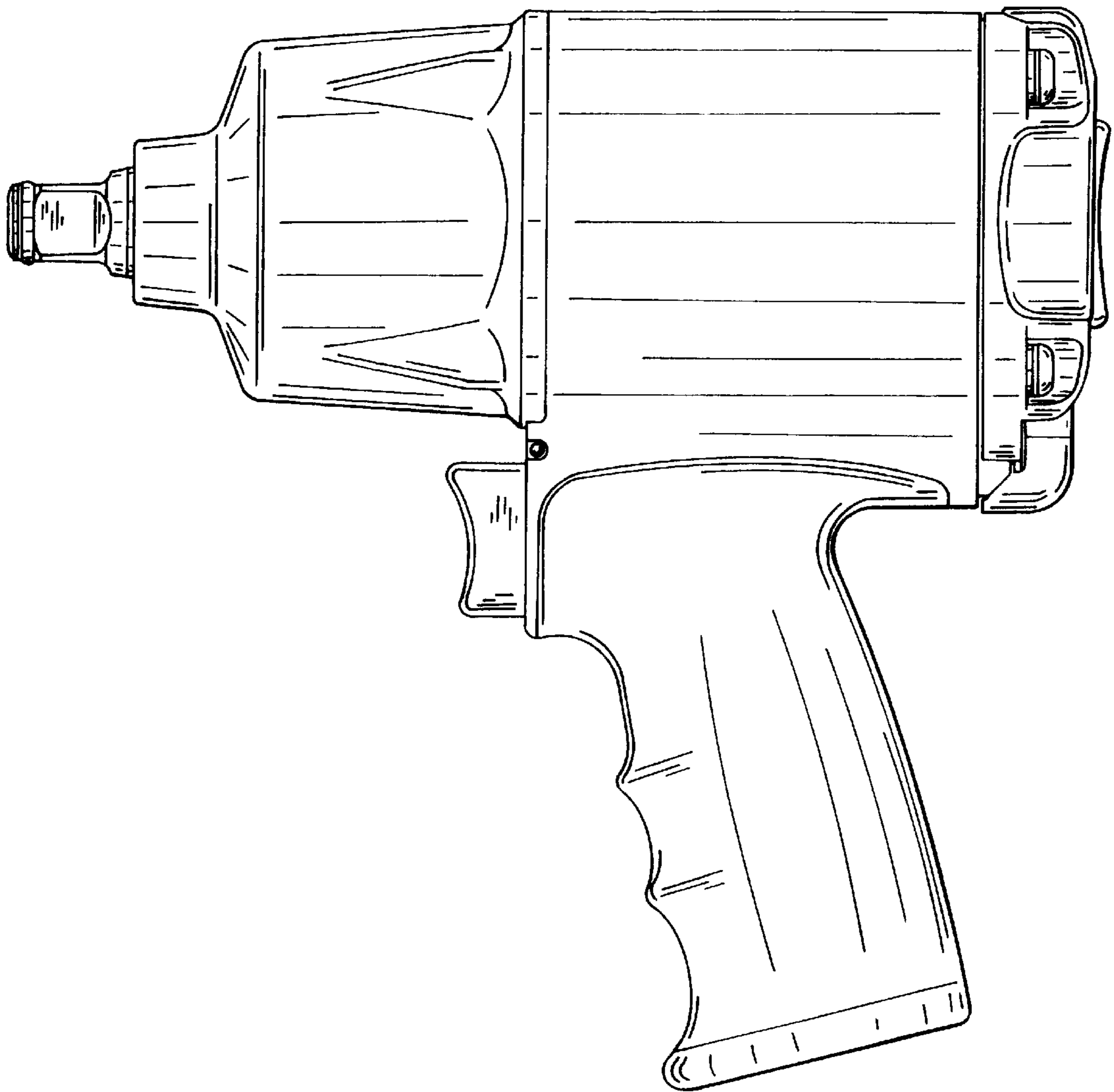


FIG. 2

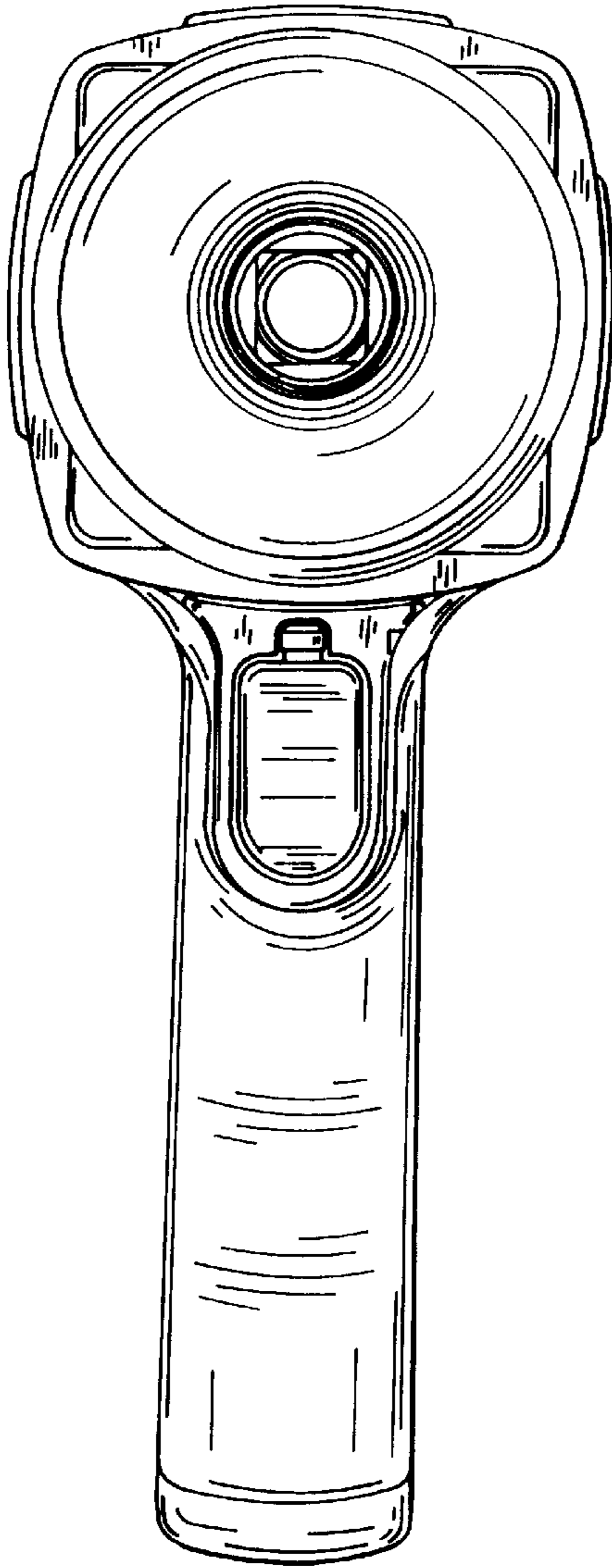


FIG. 3

