



US00D434957S

United States Patent [19]

Heinrichs et al.

[11] Patent Number: Des. 434,957

[45] Date of Patent: ** Dec. 12, 2000

[54] PNEUMATIC TOOL

[75] Inventors: Kevin Heinrichs, Lopatcong, N.J.;
Mario Craciun, Bethlehem, Pa.;
Douglas E. Souls, Hackettstown, N.J.;
Paul K. Metaxatos, West Hartford,
Conn.

[73] Assignee: Ingersoll-Rand Company, Woodcliff
Lake, N.J.

[**] Term: 14 Years

[21] Appl. No.: 29/118,515

[22] Filed: Feb. 10, 2000

[51] LOC (7) Cl. 08-05

[52] U.S. Cl. D8/61

[58] Field of Search D15/140; D8/61,
D8/62, 68, 70, 83, 94, 97, 107, 303, DIG. 7;
81/52, 54, 55, 57, 57.13, 57.26-57.29,
57.39, 177.1, 177.8, 177.9, 177.85, 463,
464, 470, 489; 418/150; 173/90-93, 104,
128, 178, 213; 403/83, 84; 477/174

[56] References Cited

U.S. PATENT DOCUMENTS

D. 40,285	8/1909	Gendre	D8/61
D. 316,216	4/1991	Gierke et al.	D8/61
D. 337,505	7/1993	Ming-Chang	D8/303
D. 380,131	6/1997	Sung	D8/61
D. 380,949	7/1997	Sung	D8/61
D. 387,960	12/1997	Sung	D8/61
2,924,114	2/1960	Hitt et al.	477/164
4,821,611	4/1989	Izumisawa	81/464
5,784,934	7/1998	Izumisawa	81/57.26

OTHER PUBLICATIONS

U.S. application No. 29/118,504, filed Feb. 10, 2000, by
Kevin Heinrichs, Richard J. Bookhout, Jr., Mark J. Hamlin,
Paul K. Metaxatos, Pneumatic Tool.

U.S. application No. 29/118,505, filed Feb. 10, 2000, by
John A. McCallops, Richard J. Bookhout, Jr., John E.
Conrad, Paul K. Metaxatos, Angled Pneumatic Tool.

U.S. application No. 29/118,510, filed Feb. 10, 2000, by
Kevin Heinrichs, Mario Craciun, Douglas E. Souls, Paul K.
Metaxatos, Pneumatic Tool.

U.S. application No. 29/118,513, filed Feb. 10, 2000, by
John A. McCallops, Richard J. Bookhout, Jr., John E.
Conrad, Paul K. Metaxatos, Angled Pneumatic Tool.

U.S. application No. 29/118,516, filed Feb. 10, 2000, by
Kevin Heinrichs, Richard J. Bookhout, Jr., Mark J. Hamlin,
Paul K. Metaxatos, Pneumatic Tool.

U.S. application No. 29/118,528, filed Feb. 10, 2000, by
John A. McCallops, Kurt E. Ashbaugh, John E. Conrad, Paul
K. Metaxatos, Pneumatic Tool.

Primary Examiner—Martie K. Holtje
Attorney, Agent, or Firm—Leon Nigohosian, Jr.

[57] CLAIM

The ornamental design of a pneumatic tool, as shown and
described.

DESCRIPTION

FIG. 1 is an isometric view of a pneumatic tool showing our
design;

FIG. 2 is a bottom view of FIG. 1;

FIG. 3 is a top view of FIG. 1;

FIG. 4 is a rear elevational view of FIG. 1;

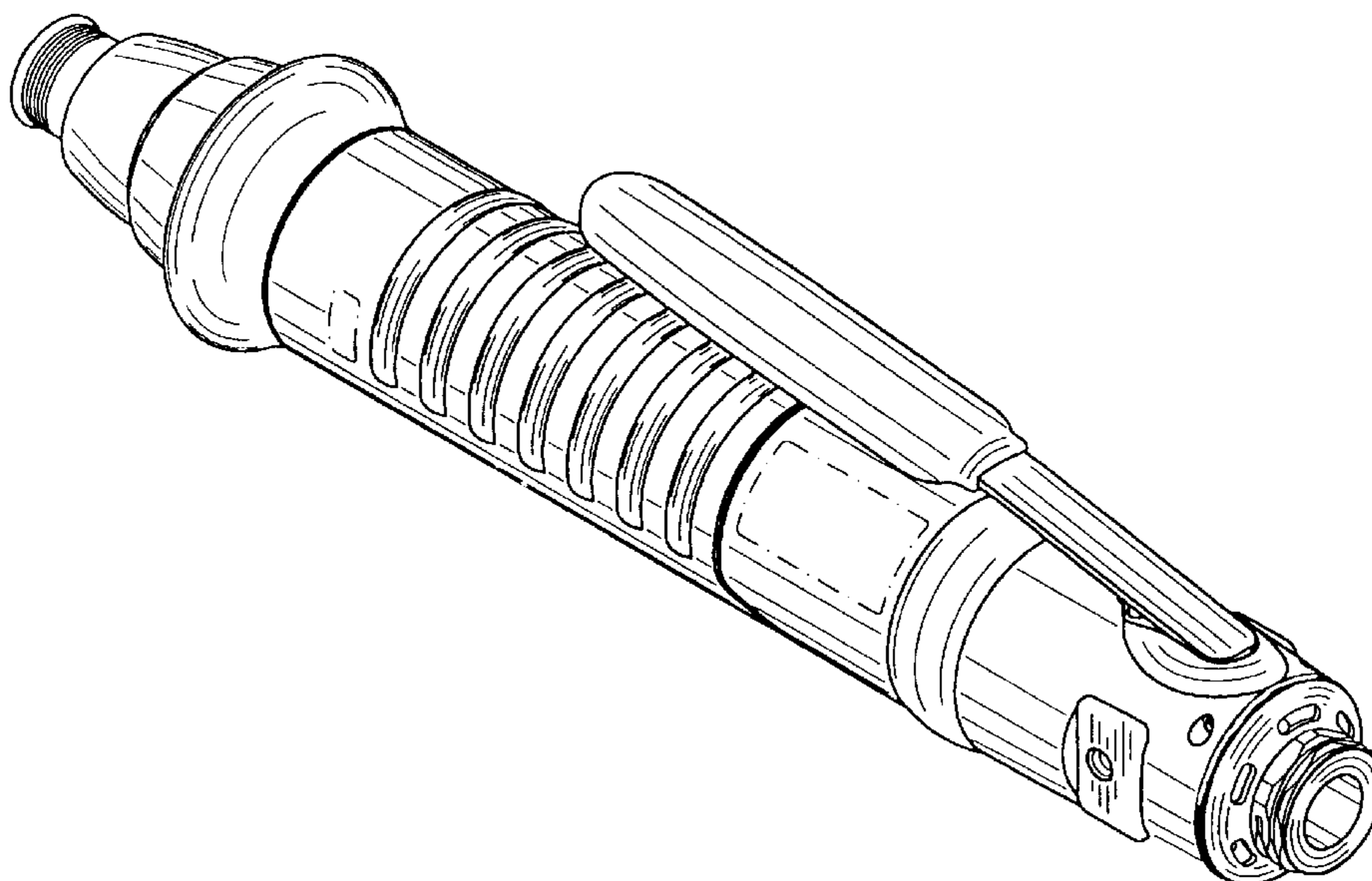
FIG. 5 is a front elevational view of FIG. 1;

FIG. 6 is a right side view of FIG. 1; and,

FIG. 7 is a left side view of FIG. 1.

The structural features depicted by means of broken lines in
the drawing have been shown for illustrative purposes only
and form no part of the claimed design.

1 Claim, 3 Drawing Sheets



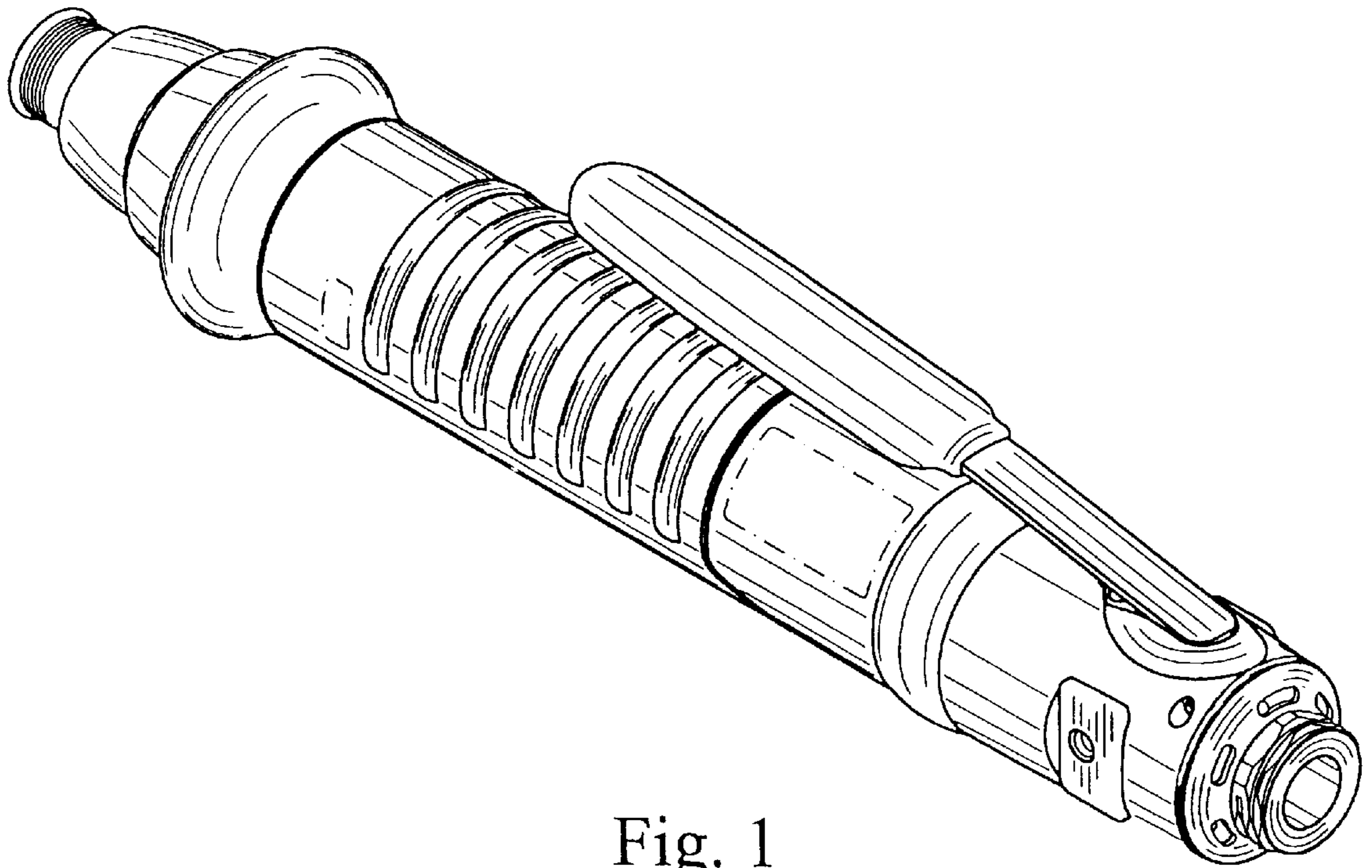


Fig. 1

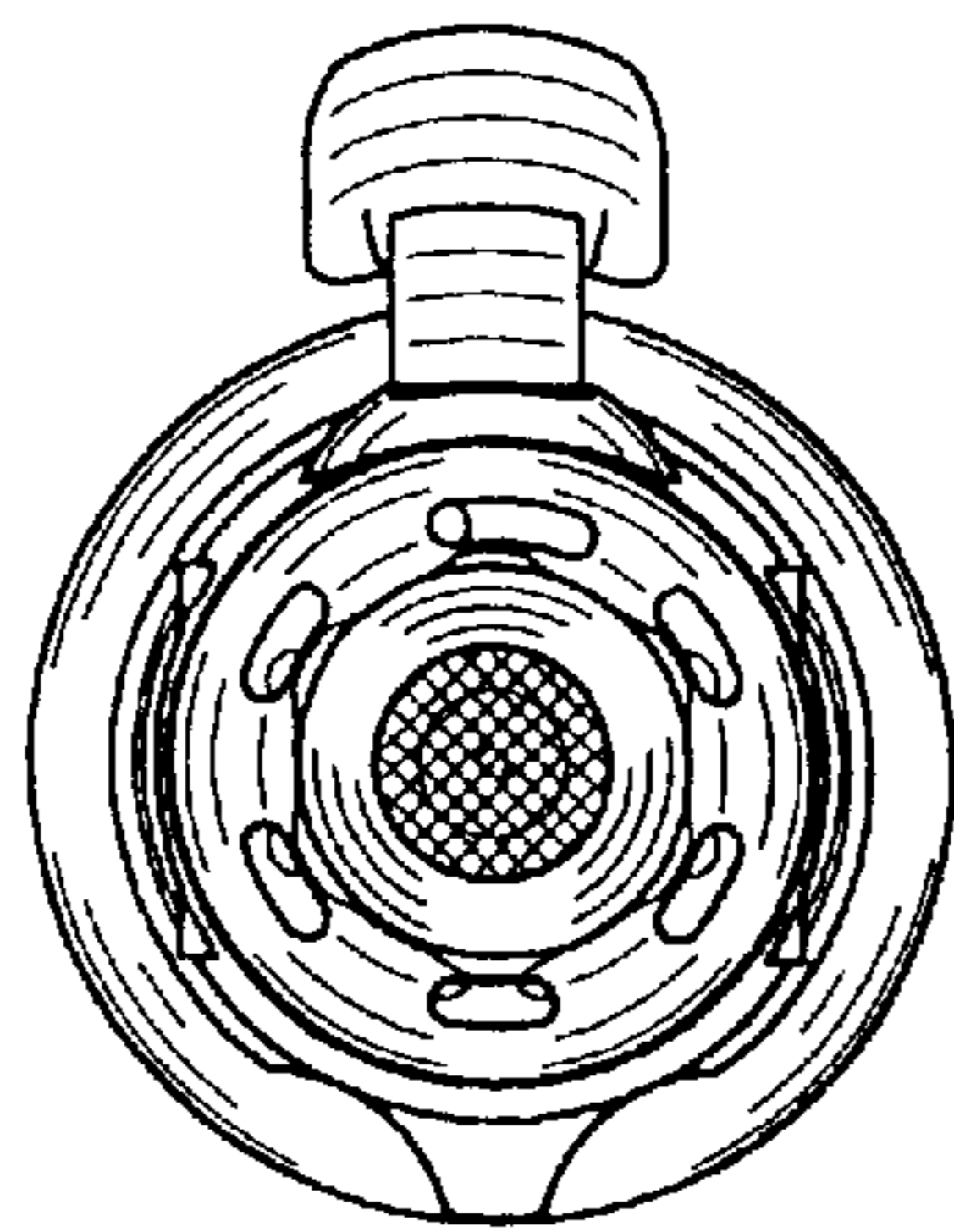


Fig. 2

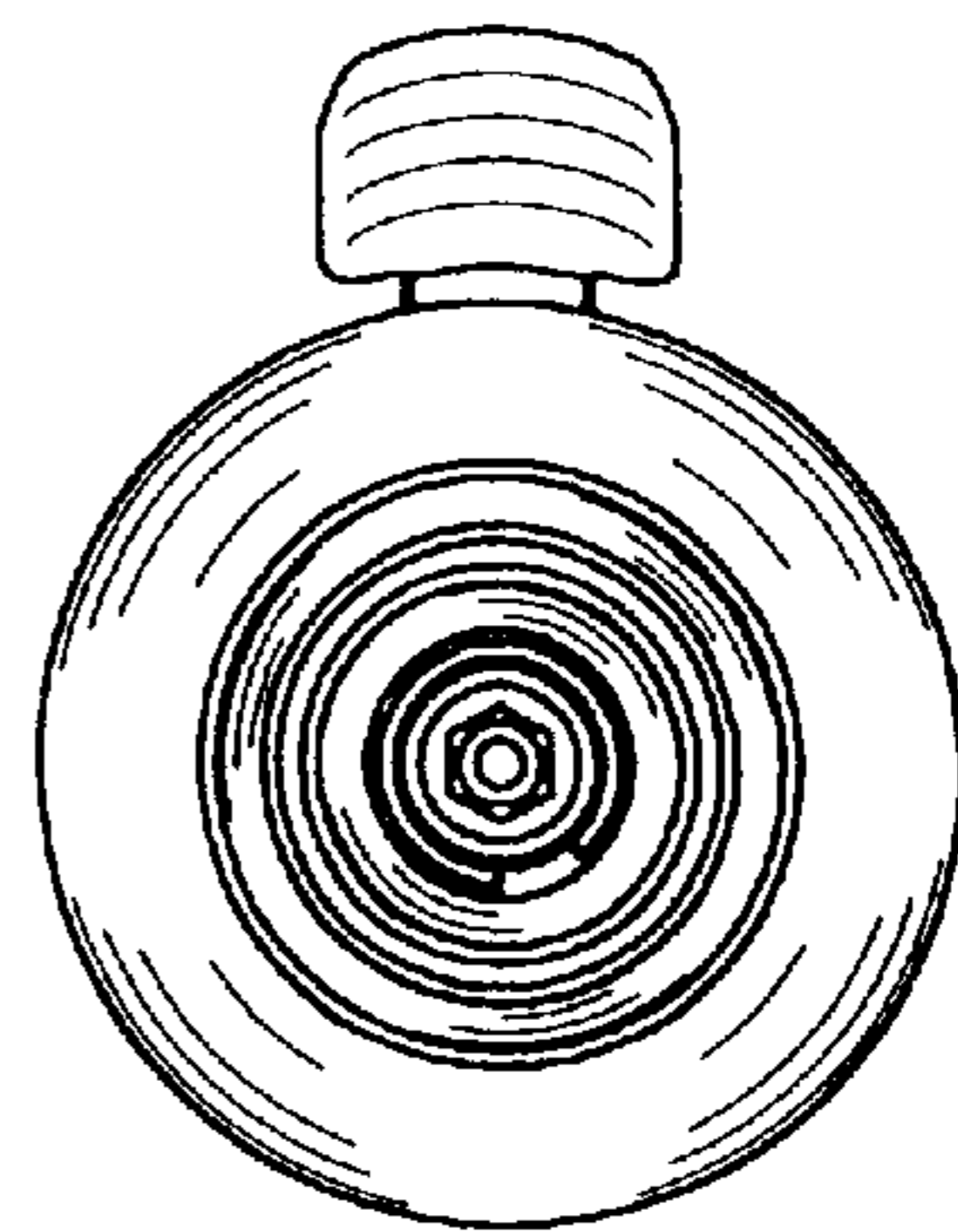


Fig. 3

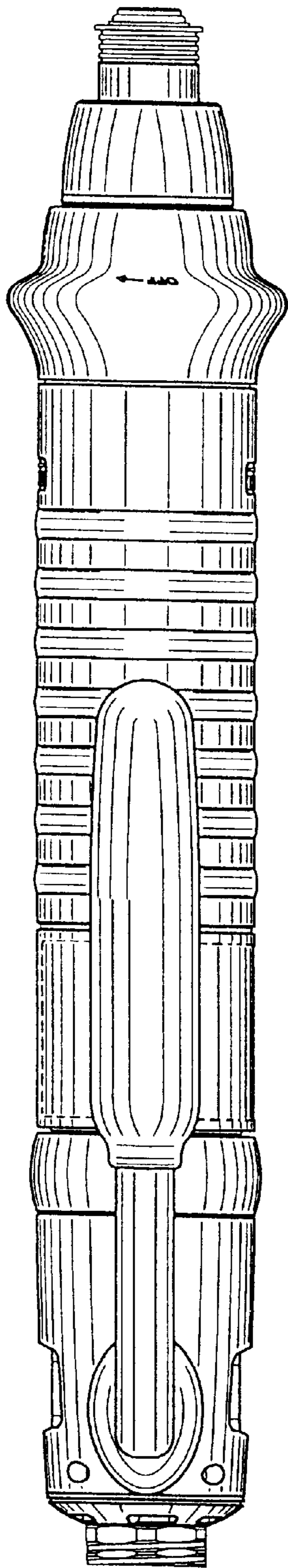


Fig. 4

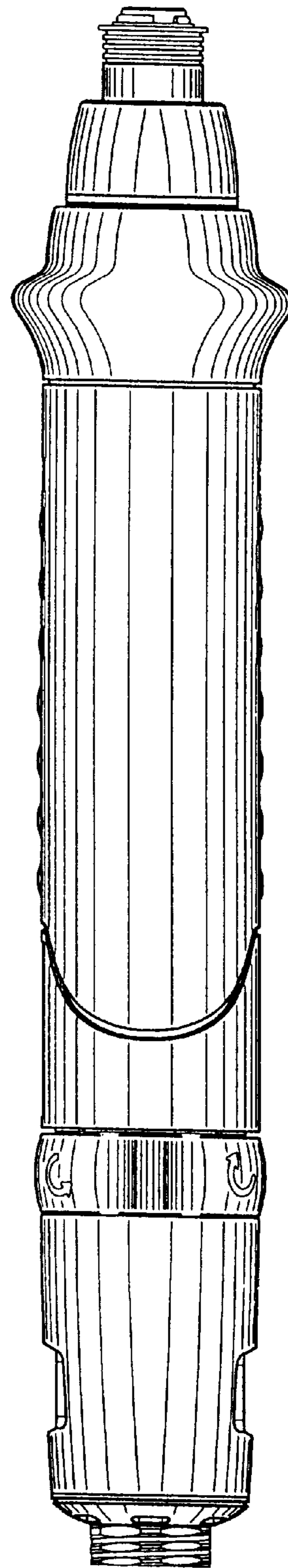


Fig. 5

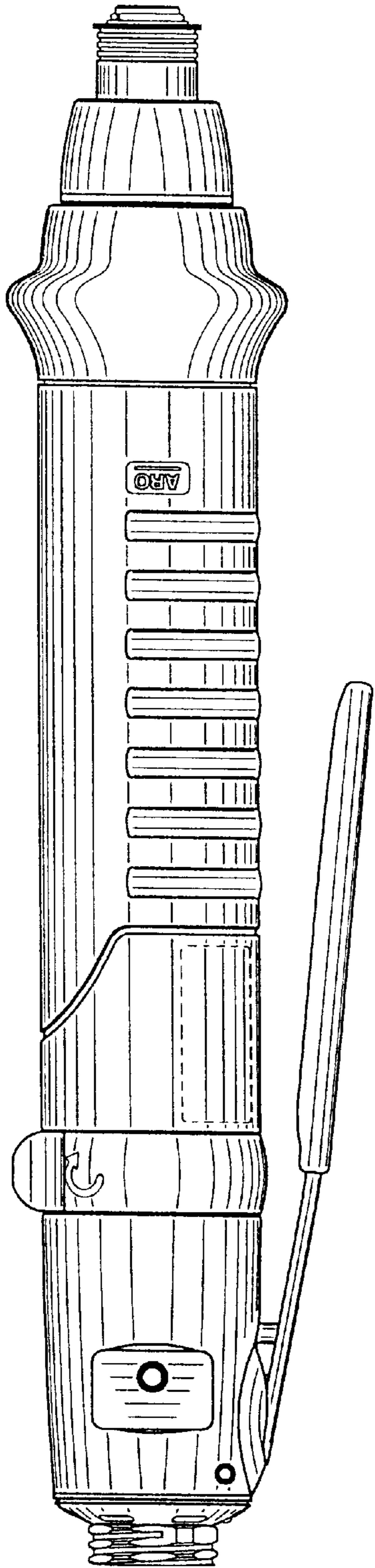


Fig. 6

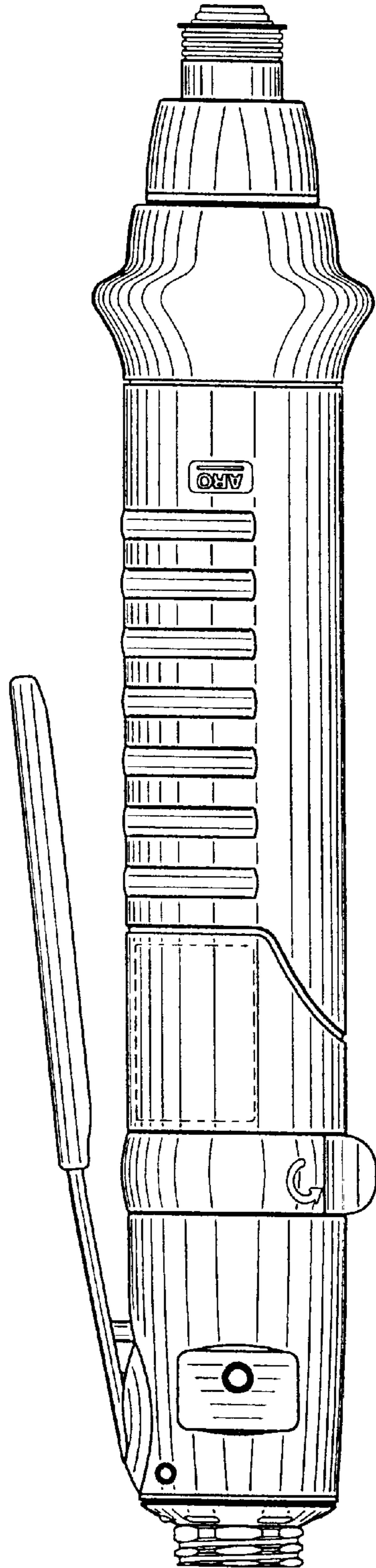


Fig. 7