



US00D434956S

# United States Patent [19] Macor

[11] **Patent Number: Des. 434,956**

[45] **Date of Patent: \*\* Dec. 12, 2000**

[54] **ADJUSTABLE OPEN END WRENCH HEAD**

397,794	2/1889	Gates	81/186
636,673	11/1899	Klatt	81/DIG. 4
1,522,804	1/1925	Carlson	81/186

[75] Inventor: **Richard J. Macor**, Stewartsville, N.J.

[73] Assignee: **Proprietary Technologies, Inc.**,  
Asbury, N.J.

*Primary Examiner*—Raphael Barkai

[\*\*] Term: **14 Years**

[57] **CLAIM**

[21] Appl. No.: **29/101,258**

The ornamental design for an adjustable open end wrench head, as shown and described.

[22] Filed: **Mar. 1, 1999**

**DESCRIPTION**

**Related U.S. Application Data**

[63] Continuation-in-part of application No. 29/094,839, Oct. 13, 1998, Pat. No. Des. 414,996.

FIG. 1 is a front elevational view of an adjustable open end wrench head showing my new design;

[51] **LOC (7) Cl.** ..... **08-05**

FIG. 2 is a cut, left side elevational view thereof;

[52] **U.S. Cl.** ..... **D8/22**

FIG. 3 is a cut, right side elevational view thereof;

[58] **Field of Search** ..... D8/17, 19, 21-29;  
81/179, 186, DIG. 4

FIG. 4 is a cut, top plan view thereof; and,

FIG. 5 is a cut, bottom plan view thereof.

[56] **References Cited**

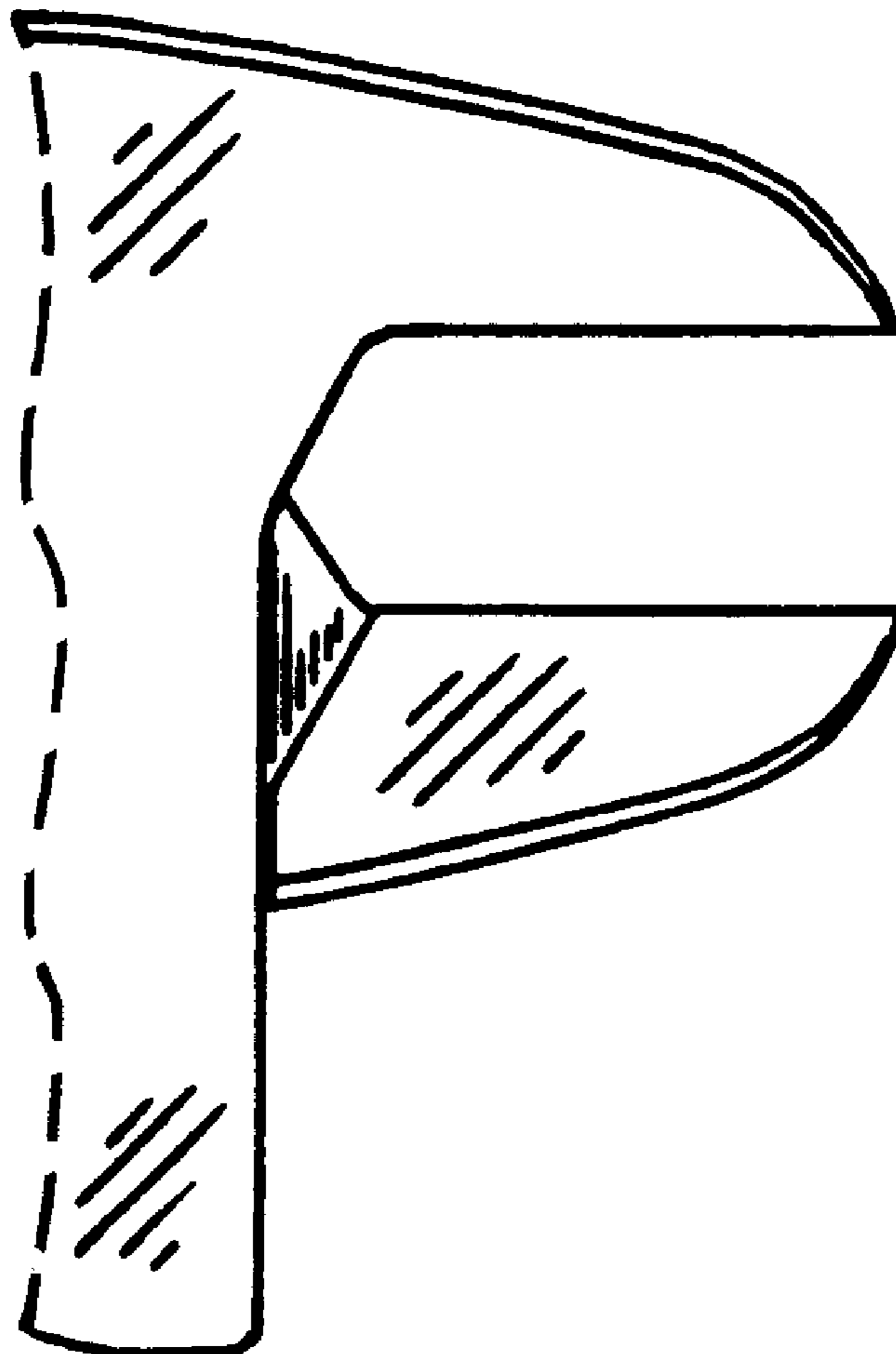
The rear of the adjustable open end wrench head forms no part of the claimed design.

The broken lines in FIGS. 1-5 define the boundary of the claimed subject matter but form no part of it.

**U.S. PATENT DOCUMENTS**

D. 27,470 8/1897 Coes ..... D8/22

**1 Claim, 1 Drawing Sheet**



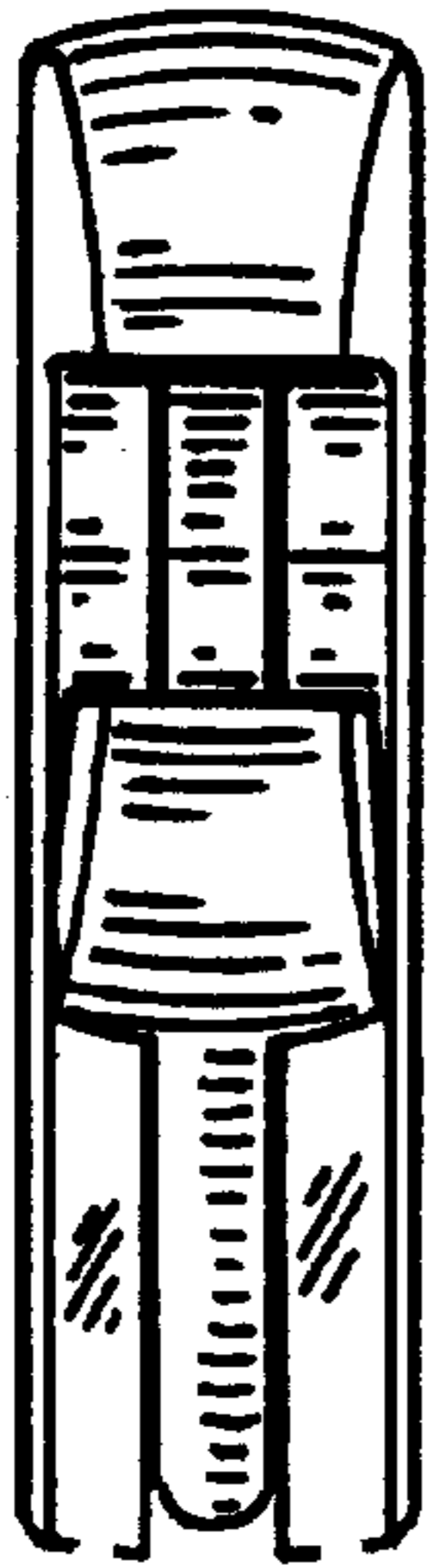


FIG. 1

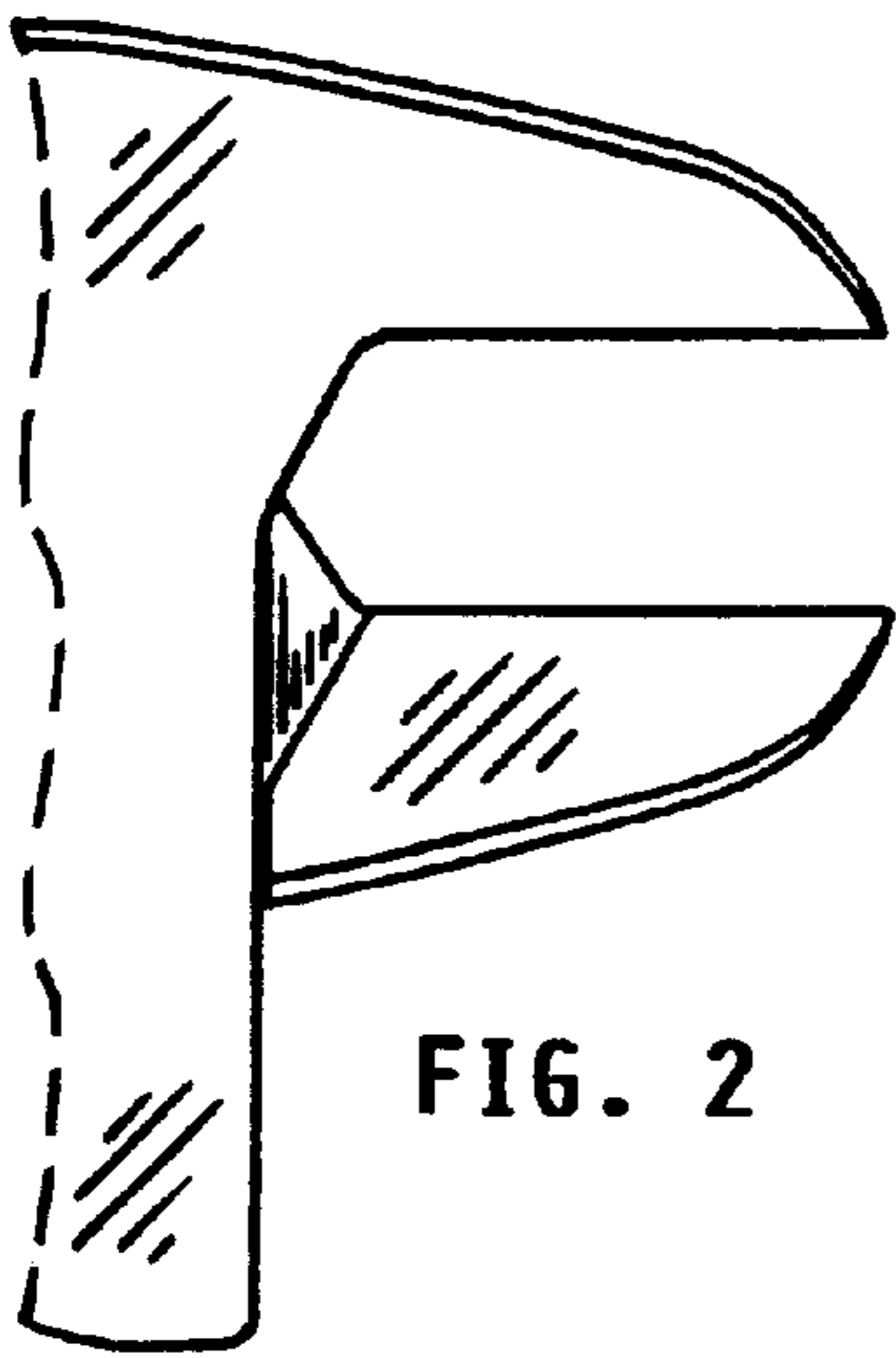


FIG. 2

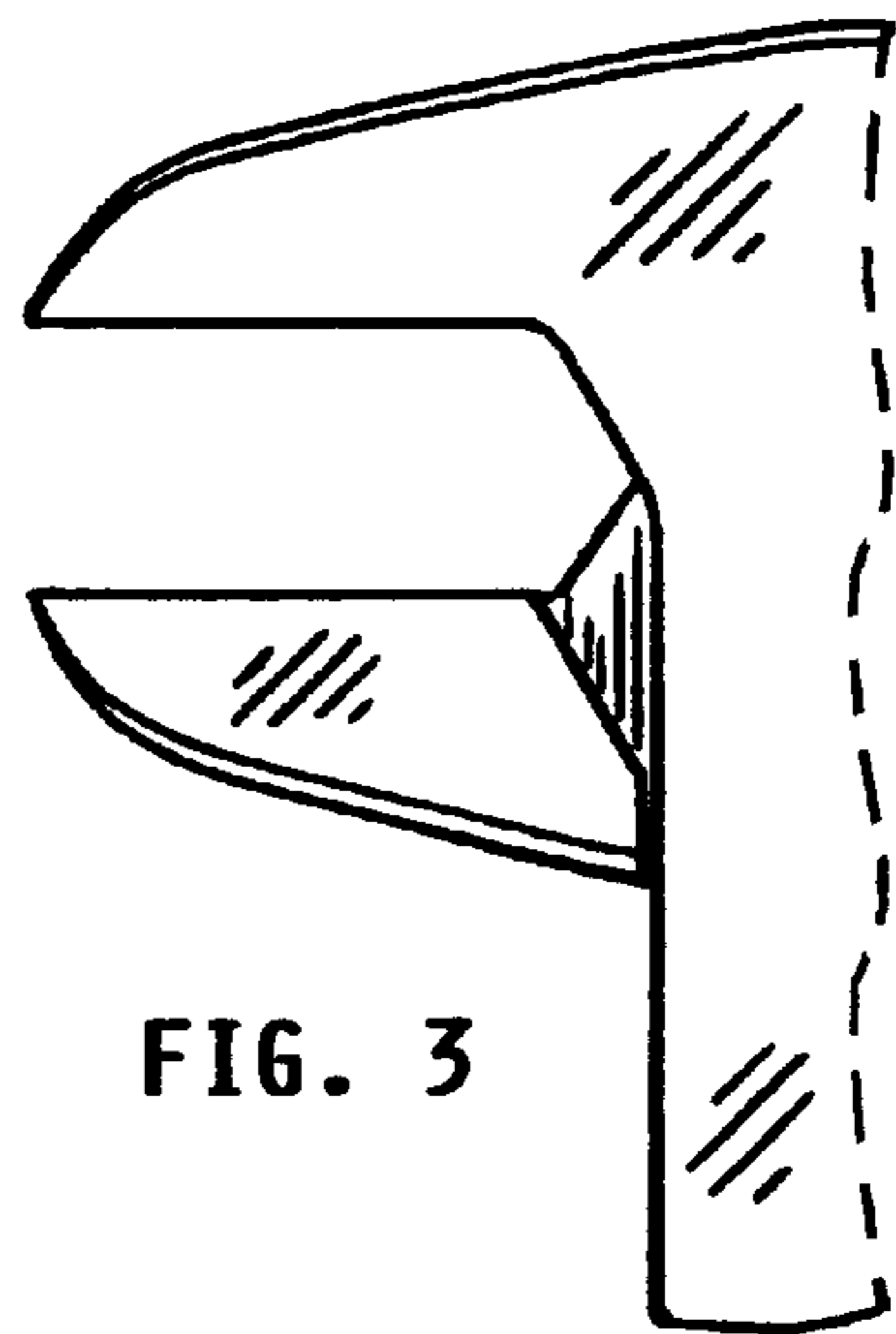


FIG. 3

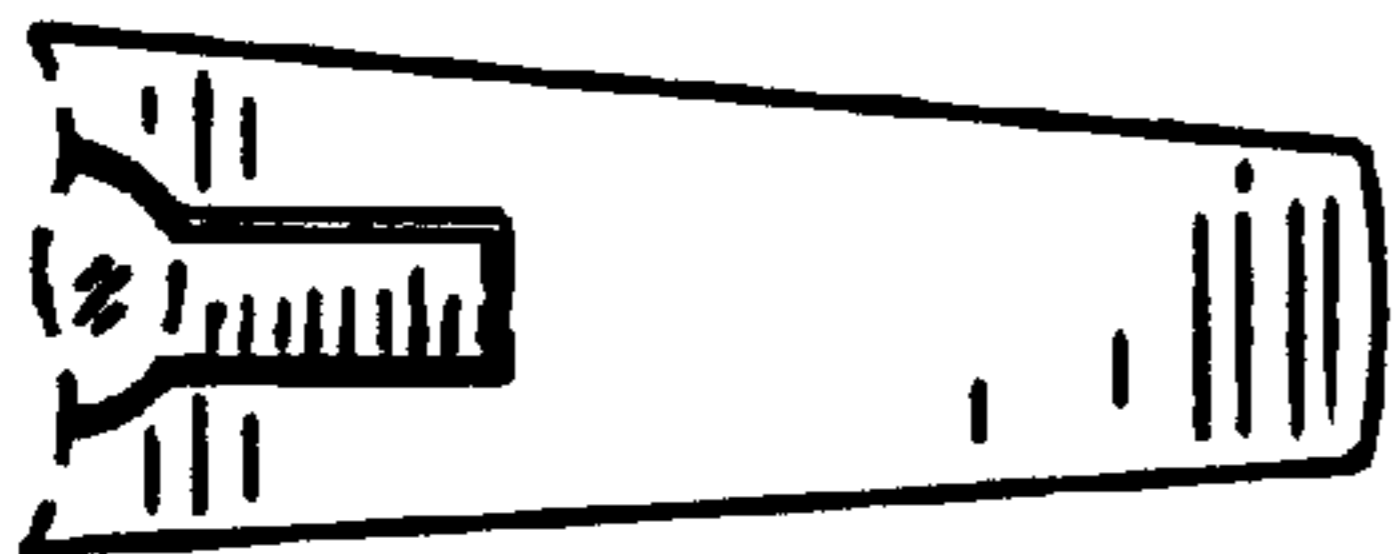


FIG. 4

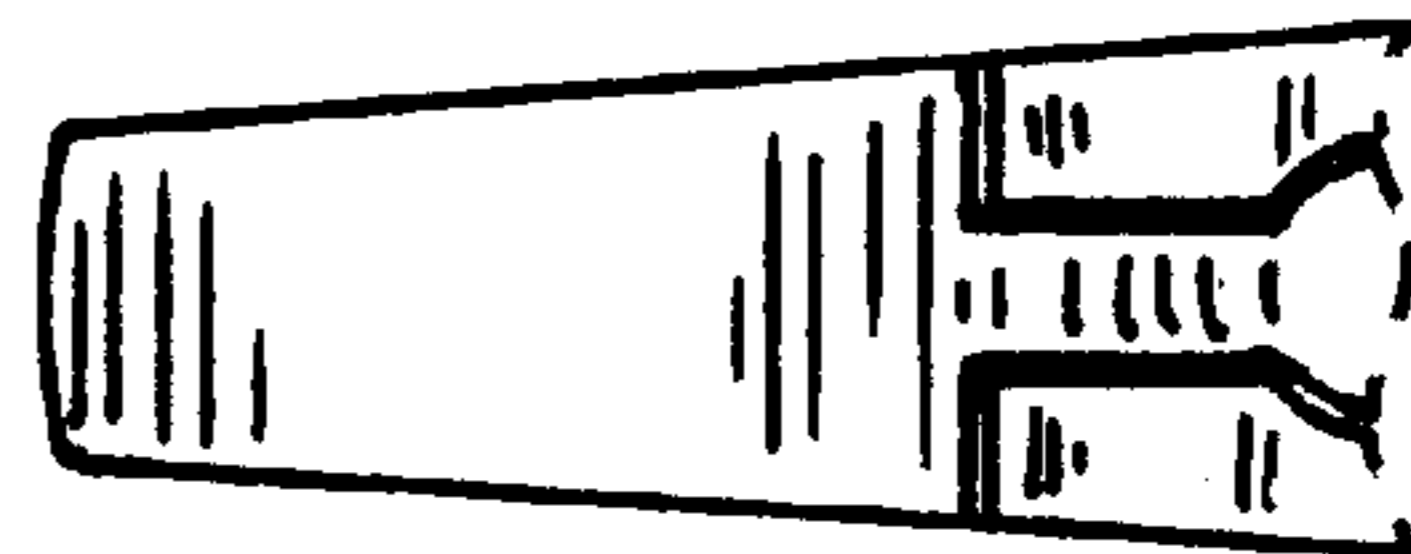


FIG. 5