



US00D434954S

United States Patent [19]

Daw et al.

[11] Patent Number: Des. 434,954

[45] Date of Patent: ** Dec. 12, 2000

[54] LUNCH CARRIER

D. 329,329 9/1992 Bomes et al. D3/283 X
D. 412,269 7/1999 Wyant D7/709

[75] Inventors: Sean Daw; Maureen O'Connor, both of Chicago, Ill.

Primary Examiner—Terry A. Wallace
Attorney, Agent, or Firm—McDonnell Boehnen Hulbert & Berghoff

[73] Assignee: Outer Circle Products, Ltd., Chicago, Ill.

[57] CLAIM

[**] Term: 14 Years

The ornamental design for a lunch carrier, as shown and described.

[21] Appl. No.: 29/119,709

DESCRIPTION

[22] Filed: Mar. 6, 2000

FIG. 1 is a perspective view of a lunch carrier of the present design;
FIG. 2 is a front elevational view thereof;
FIG. 3 is a left side elevational view thereof;
FIG. 4 is a rear elevational view thereof.
FIG. 5 is a right side elevational view thereof;
FIG. 6 is a top plan view thereof; and,
FIG. 7 is a bottom plan view thereof.
The broken line portions of the drawings are for illustrative purposes only and form no part of the claimed design.

[51] LOC (7) Cl. 03-01

[52] U.S. Cl. D7/709; D7/607; D3/283

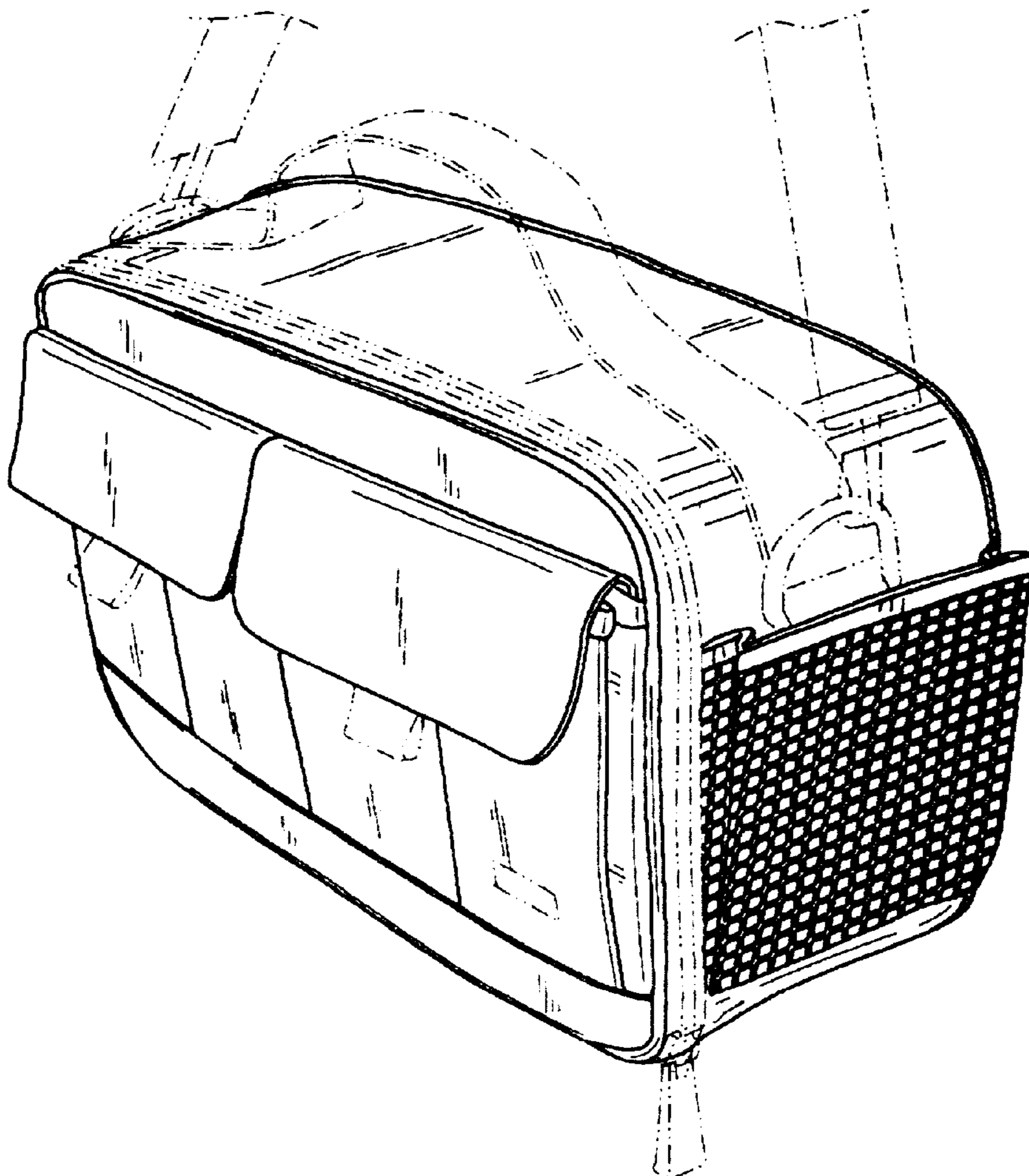
[58] Field of Search D7/709, 710, 605,
D7/607; D3/276, 283–290; 62/457.1, 457.7;
190/100, 110, 112; 206/223, 541, 545,
546, 549

[56] References Cited

U.S. PATENT DOCUMENTS

D. 279,428 7/1985 Thomas D3/283 X

1 Claim, 3 Drawing Sheets



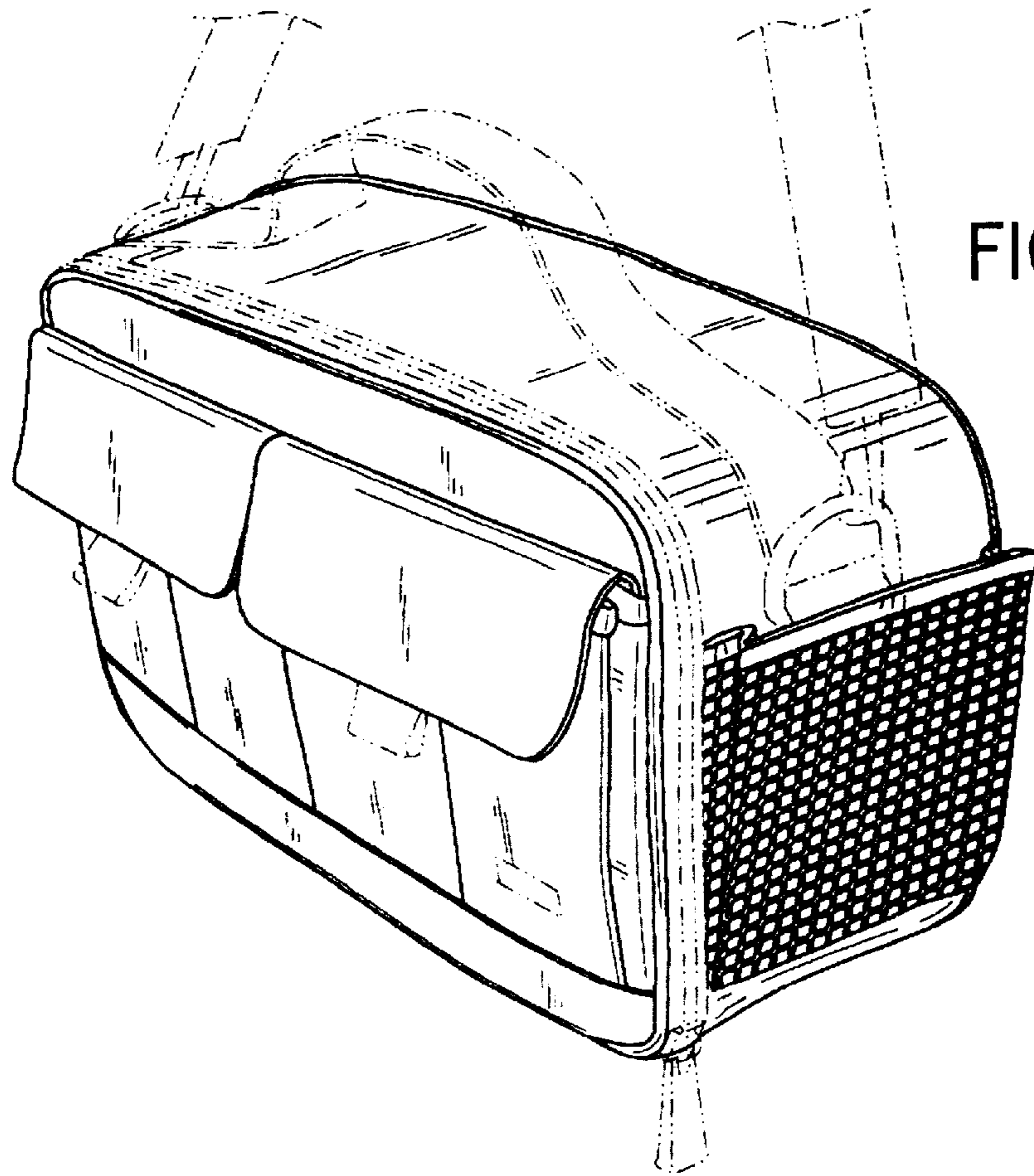


FIG. 1

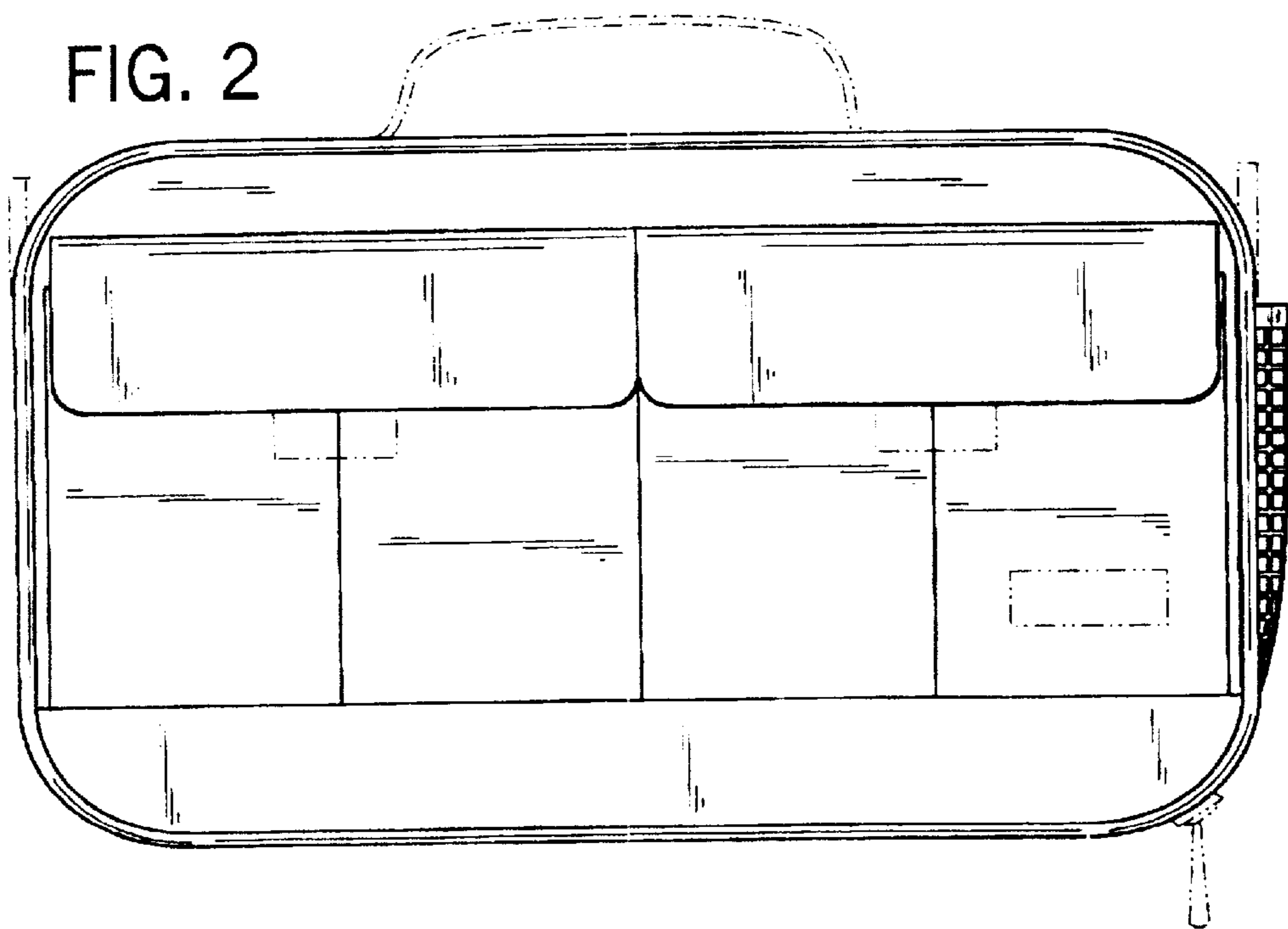


FIG. 2

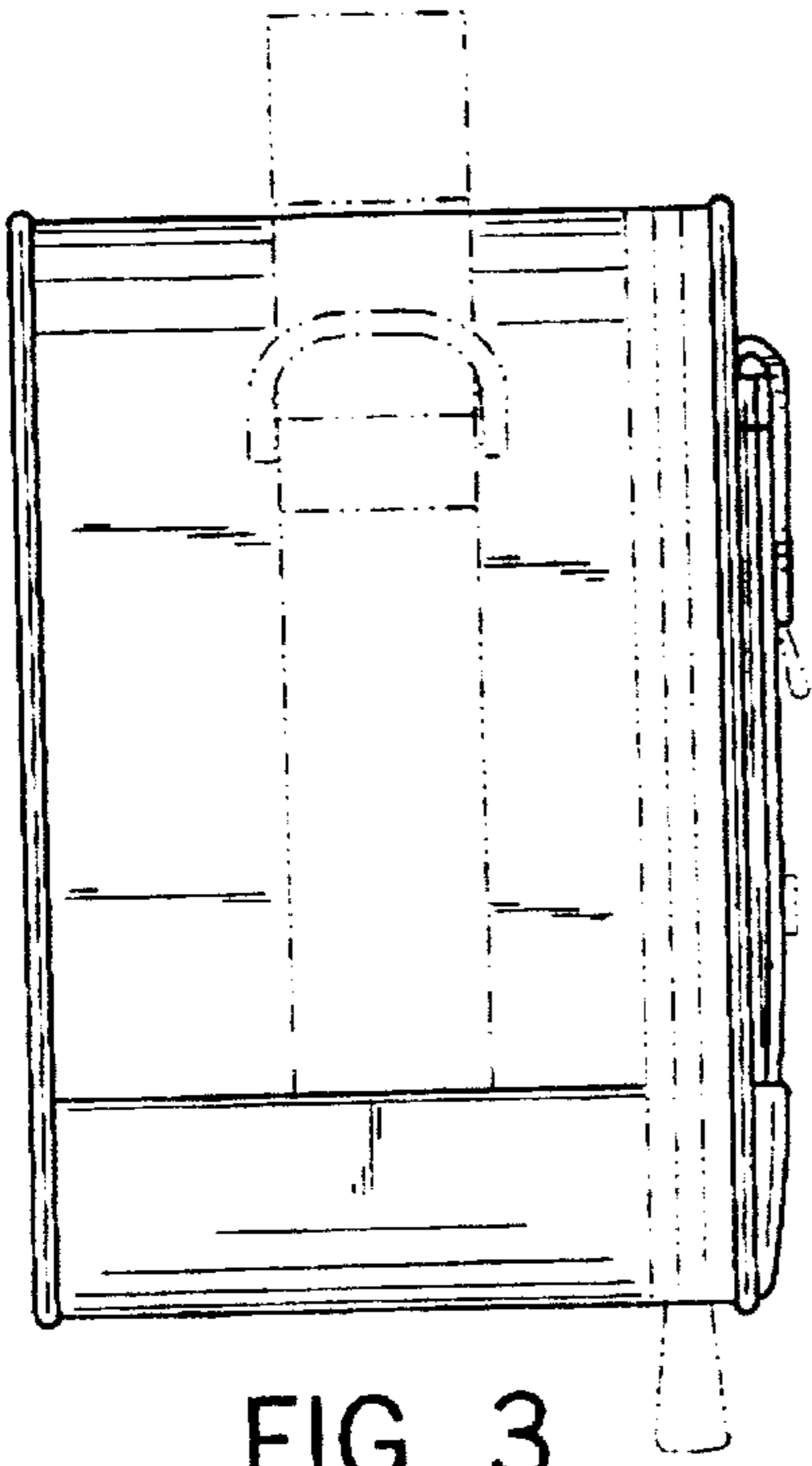


FIG. 3

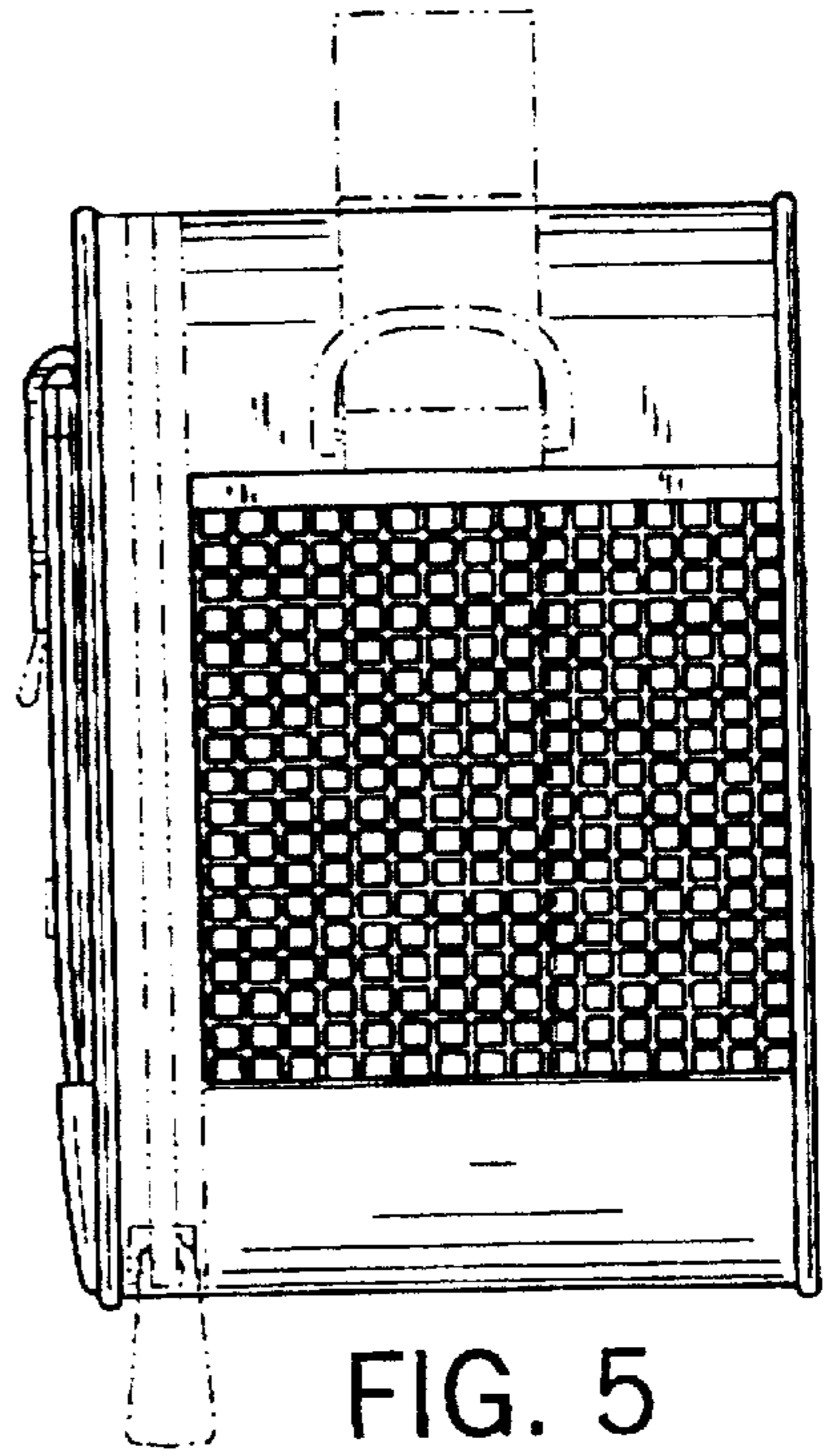


FIG. 5

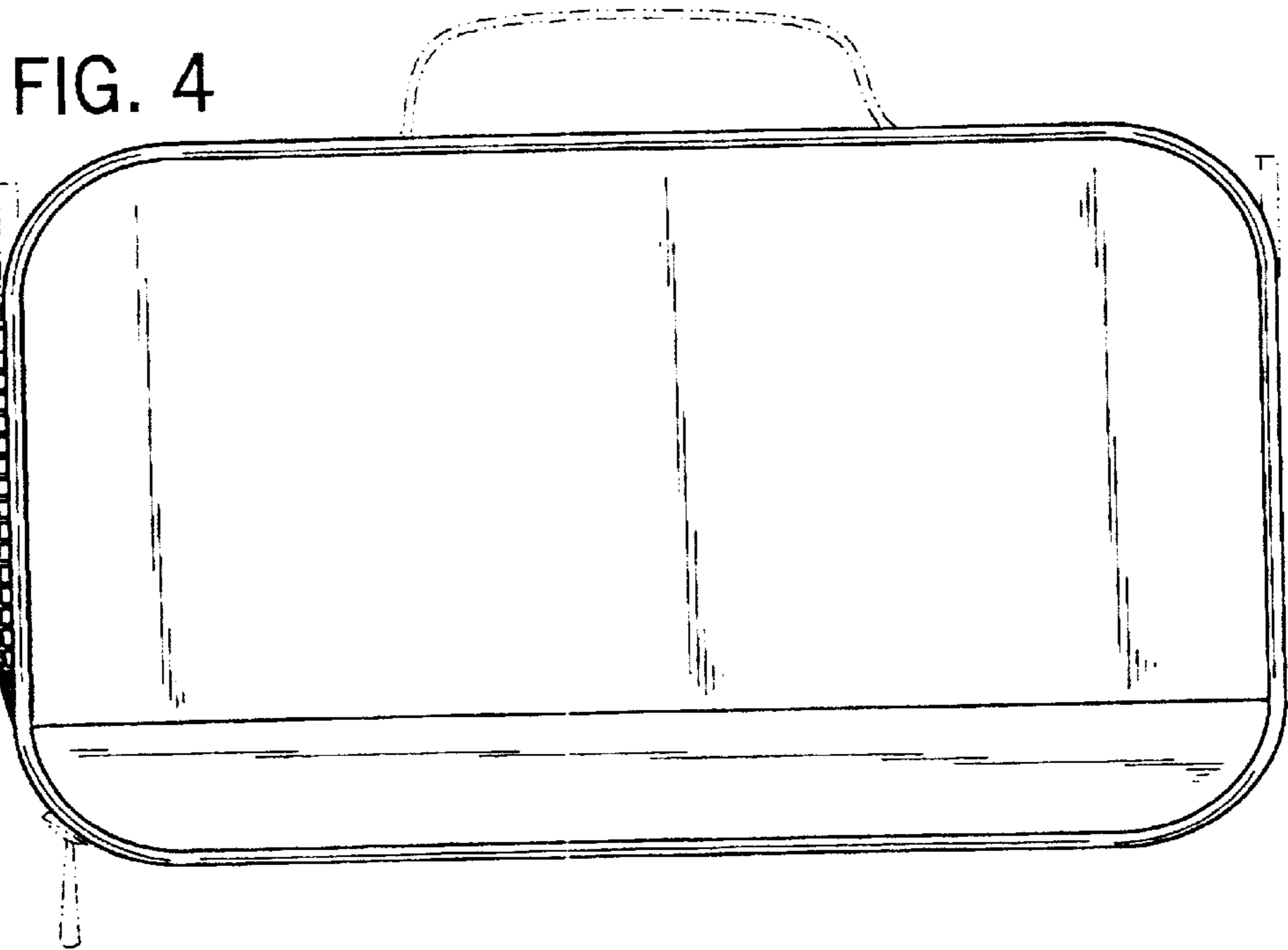


FIG. 4

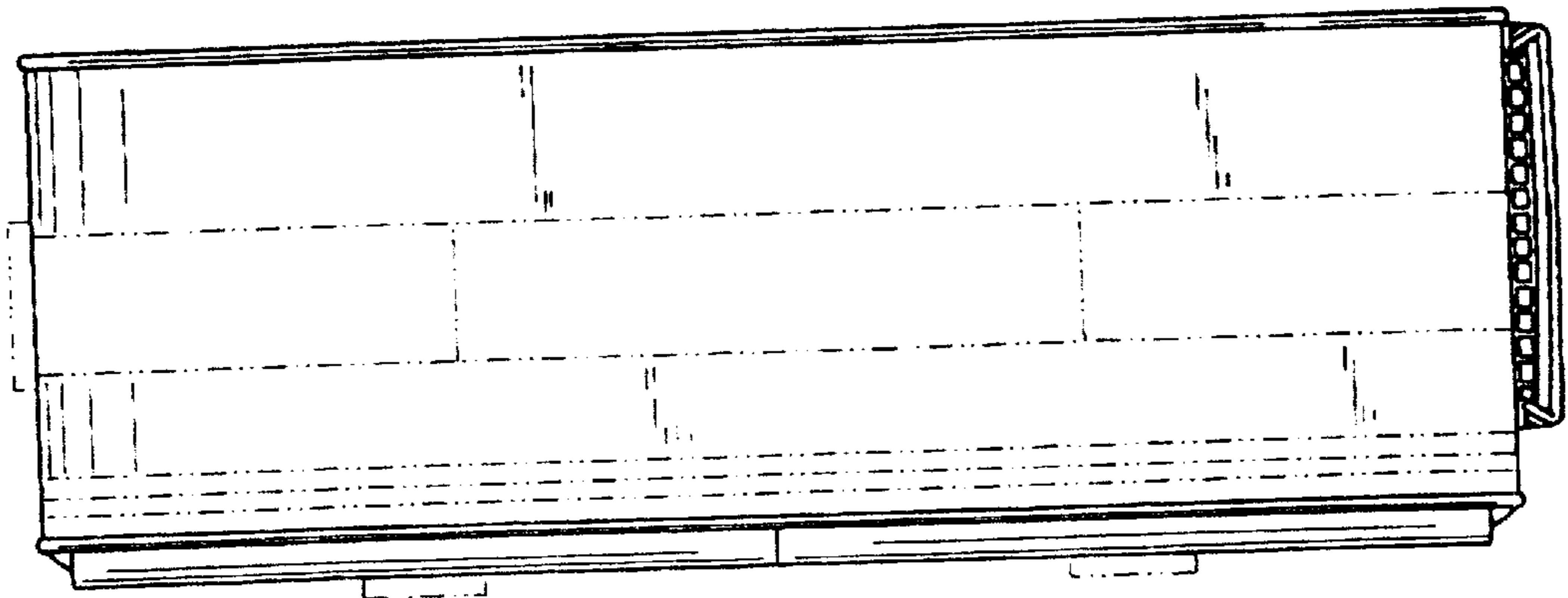


FIG. 6

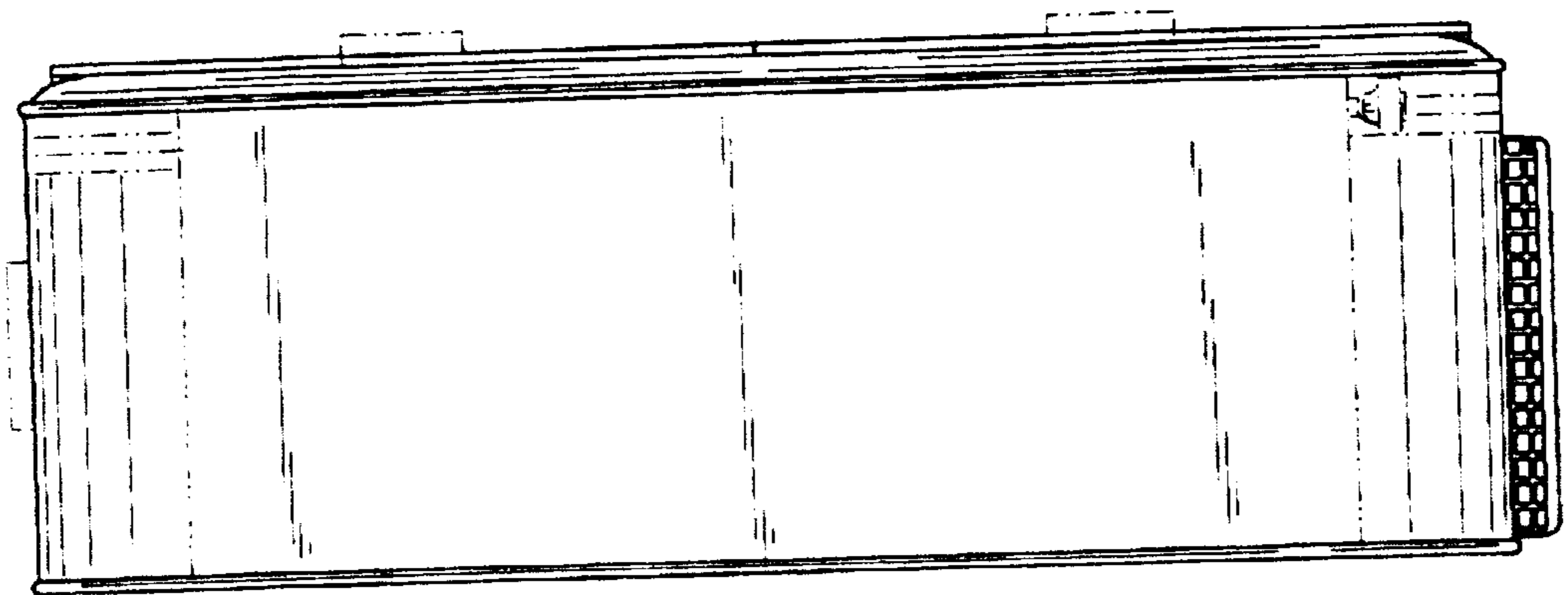


FIG. 7