



US00D434952S

United States Patent [19]
Diehl

[11] **Patent Number: Des. 434,952**

[45] **Date of Patent: ** Dec. 12, 2000**

[54] **CUTLERY HOLDER**

D. 365,730 1/1996 Brightbill et al. D7/641

[75] Inventor: **Claudia Diehl**, Erbach, Germany

Primary Examiner—Terry A. Wallace
Attorney, Agent, or Firm—Michael J. Striker

[73] Assignee: **Koziol Geschenkartikel GmbH**,
Erbach, Germany

[**] Term: **14 Years**

[57] **CLAIM**

The ornamental design for a cutlery holder, as shown and described.

[21] Appl. No.: **29/078,776**

[22] Filed: **Oct. 31, 1997**

DESCRIPTION

[30] **Foreign Application Priority Data**

Aug. 2, 1997 [DE] Germany M 97 07 209

FIG. 1 is a perspective view of a cutlery holder showing my new design;

[51] **LOC (7) Cl.** **07-07**

FIG. 2 is a front perspective view thereof;

[52] **U.S. Cl.** **D7/637**

FIG. 3 is a rear perspective view thereof;

[58] **Field of Search** D3/304, 313, 314;
D7/637-641, 550, 553, 554; 206/553, 557,
562, 564; 211/60.1, 70.1, 70.7; 220/23.83;
D19/81-83

FIG. 4 is a top plan view thereof;

FIG. 5 is a bottom plan view thereof;

FIG. 6 is a side perspective view thereof; and,

FIG. 7 is the opposite side perspective view.

Any undisclosed surface area in any figure is without ornamentation.

[56] **References Cited**

U.S. PATENT DOCUMENTS

D. 353,078 12/1994 Davis et al. D7/637

1 Claim, 7 Drawing Sheets

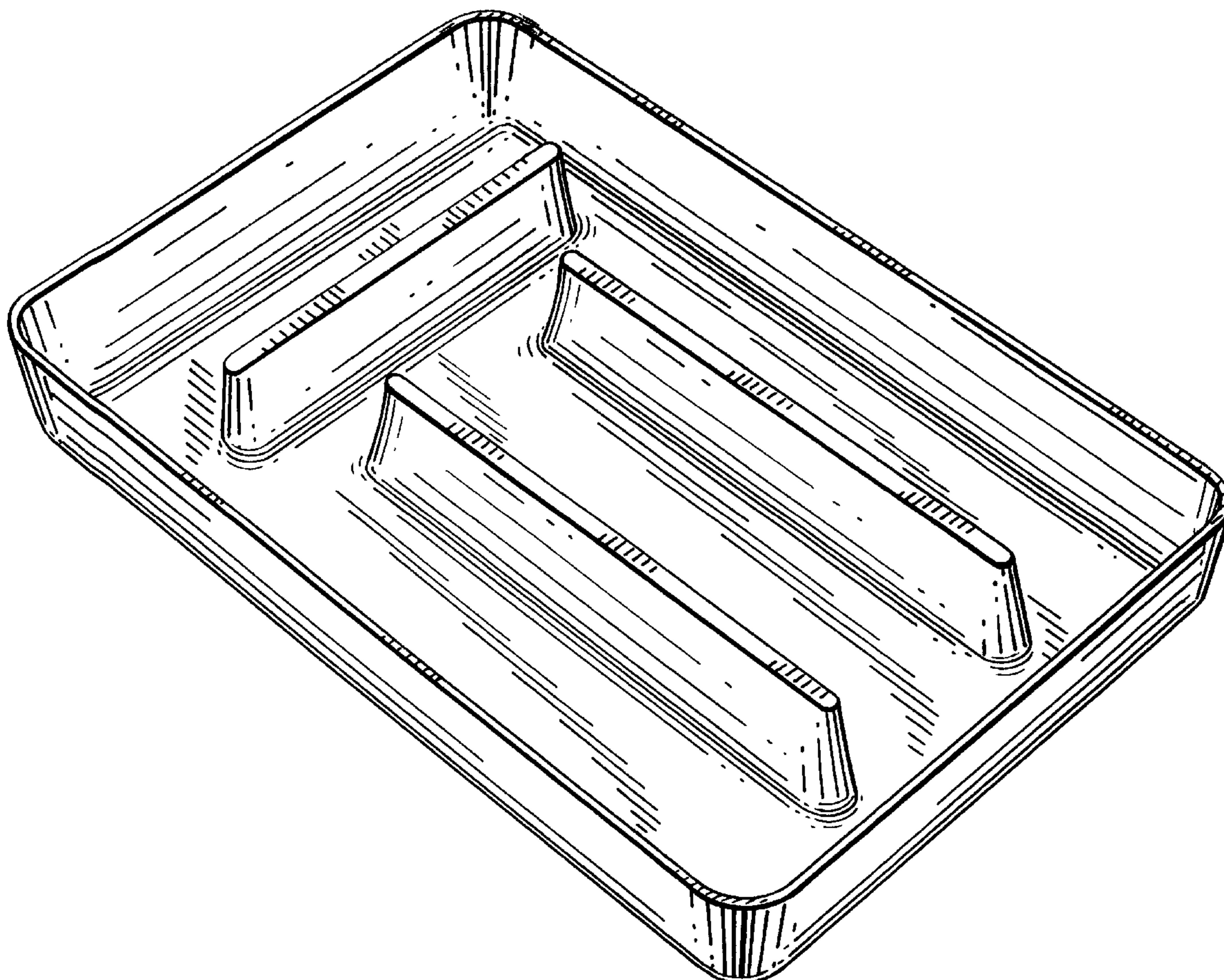
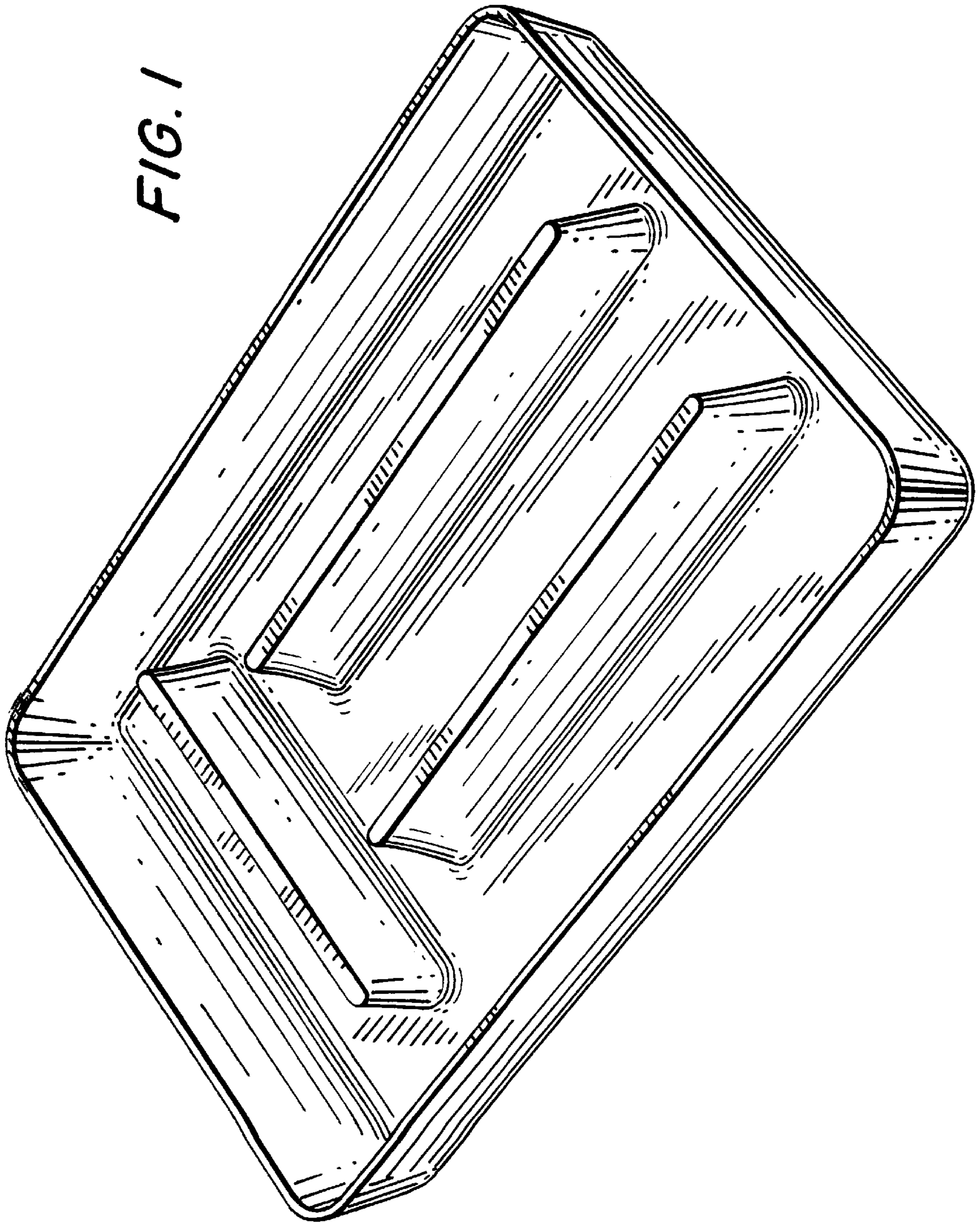


FIG. 1



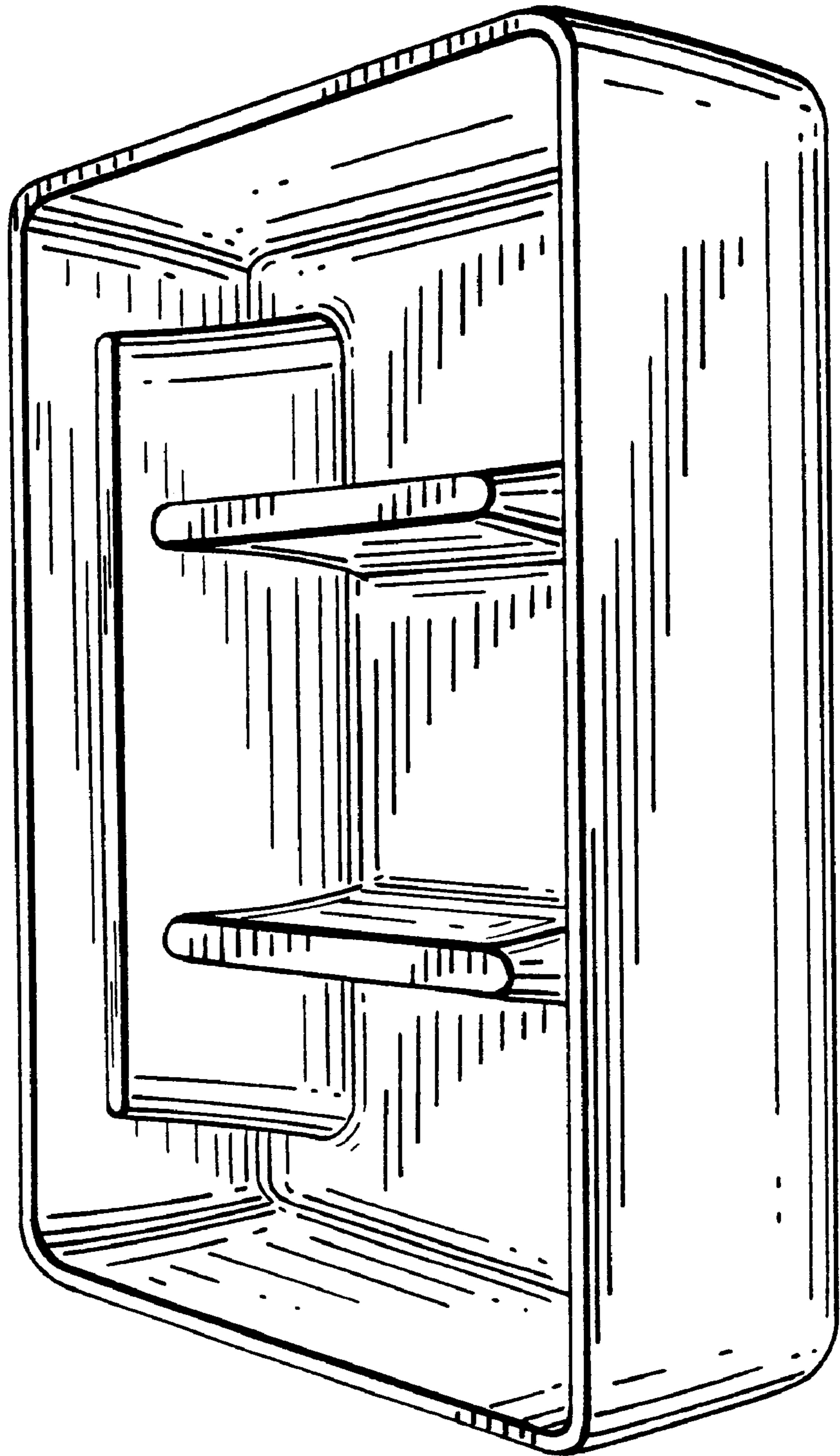


FIG. 2

FIG. 3

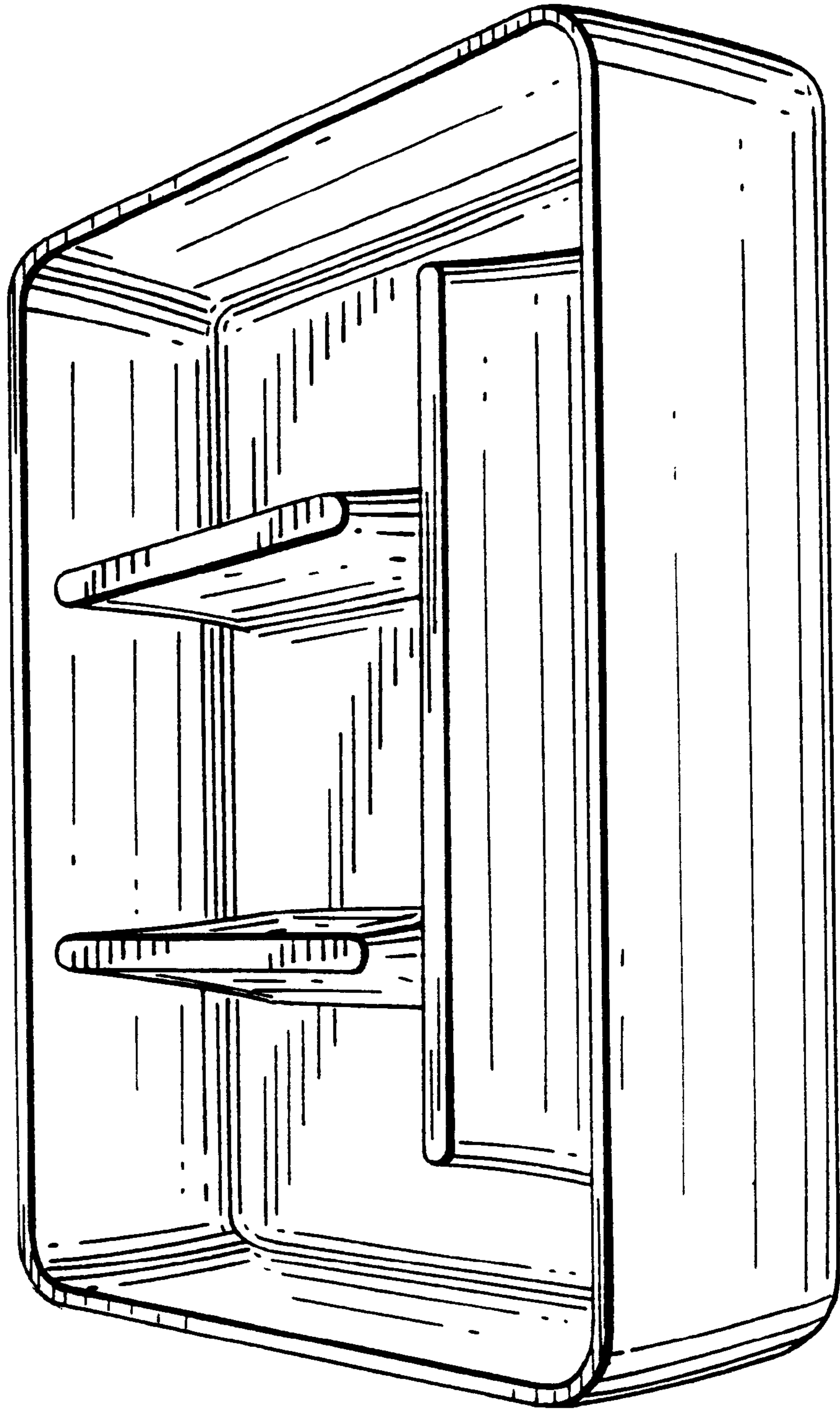


FIG. 4

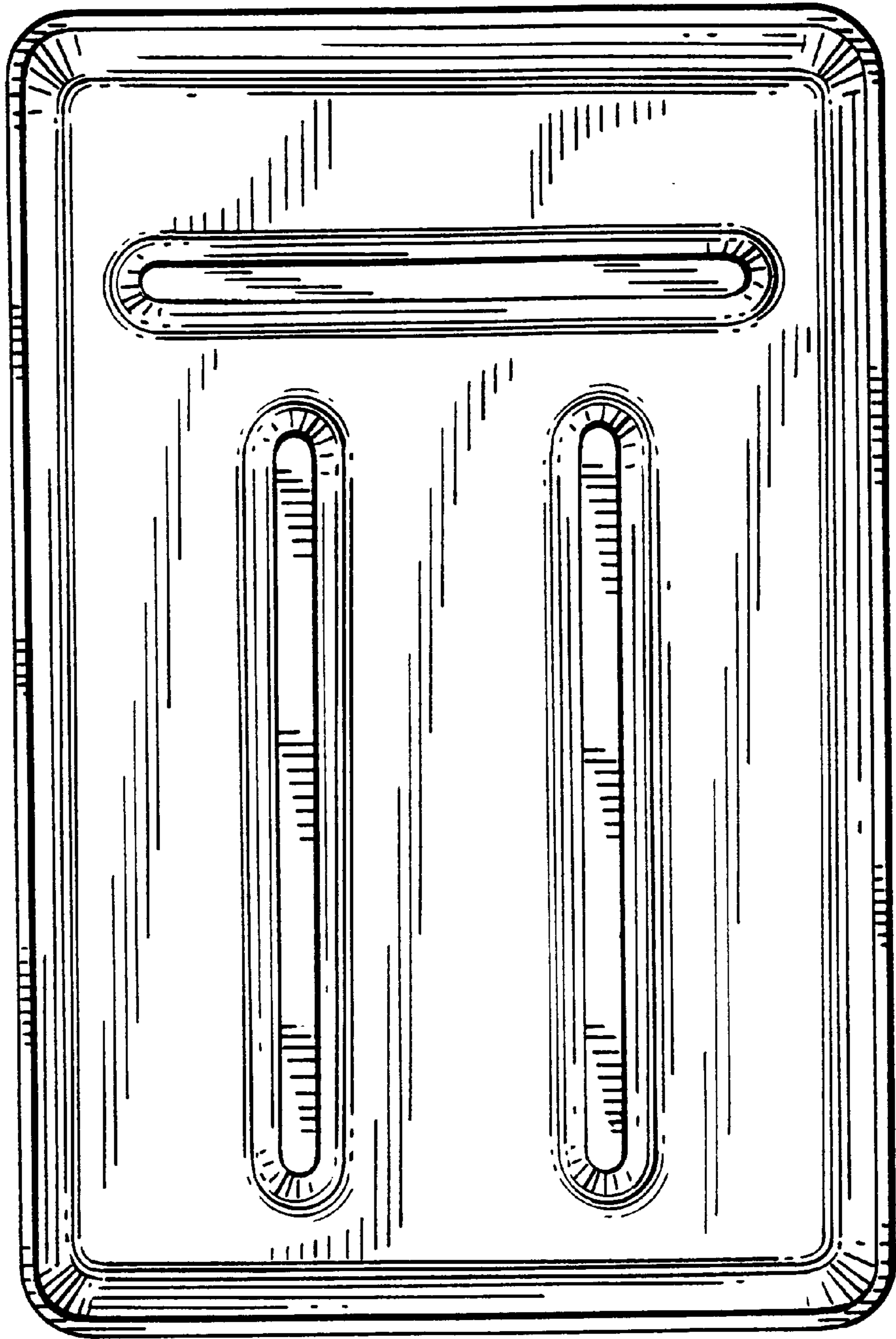


FIG. 5

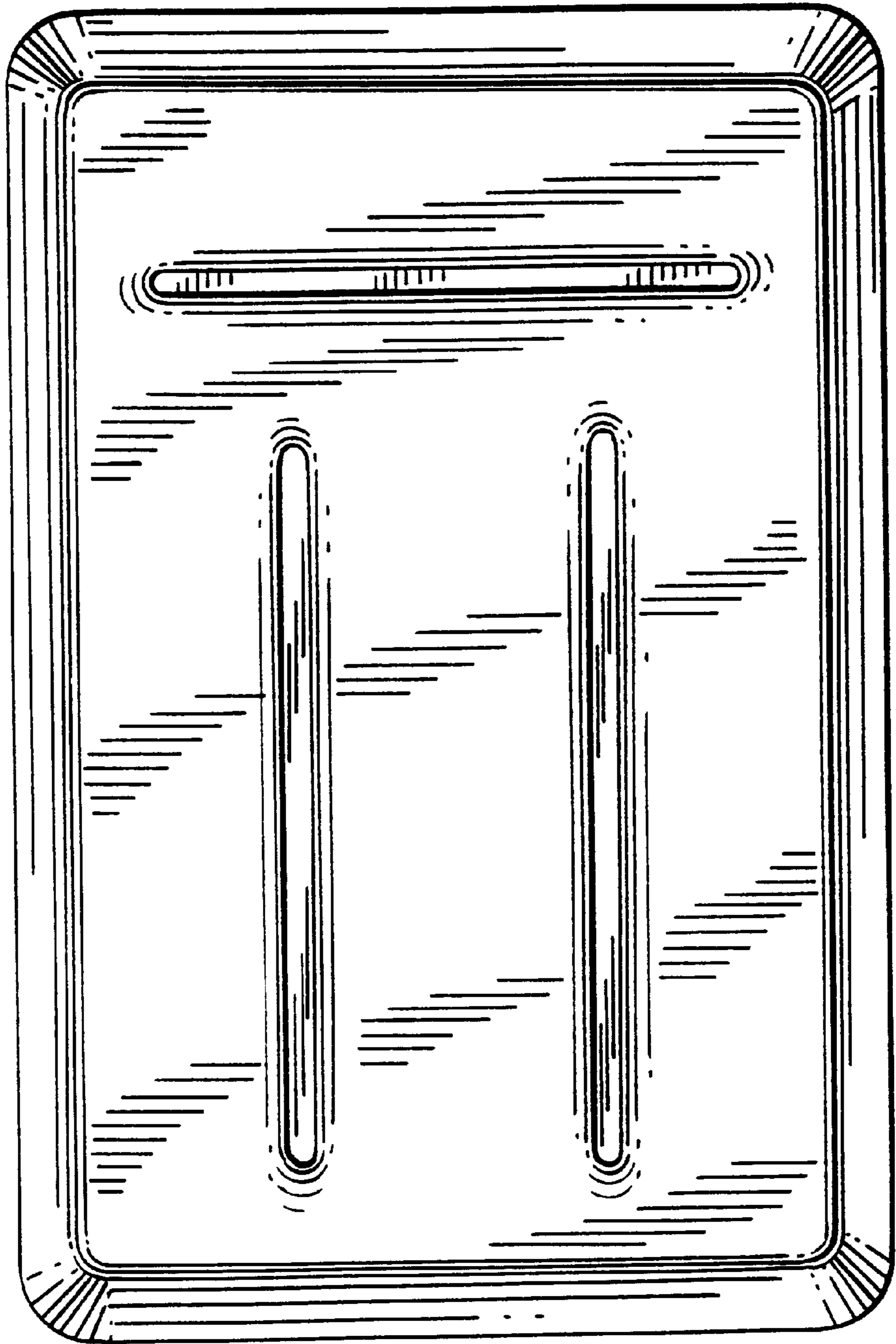


FIG. 6

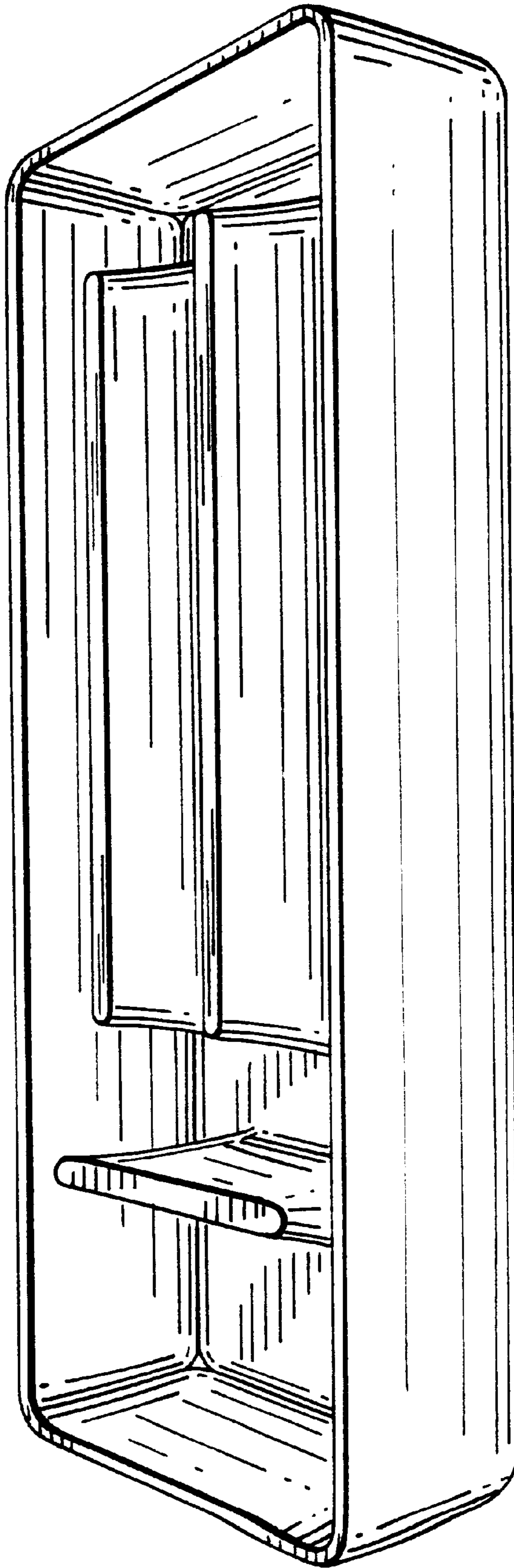


FIG. 7

