



US00D434944S

# United States Patent [19] Randolph

[11] Patent Number: Des. 434,944

[45] Date of Patent: \*\* Dec. 12, 2000

[54] **TRAINER SPOUT**

[75] Inventor: **Ross Steven Randolph**, Rockaway, N.J.

[73] Assignee: **Playtex Products, Inc.**, Westport, Conn.

[\*\*] Term: **14 Years**

[21] Appl. No.: **29/081,303**

[22] Filed: **Dec. 29, 1997**

2,534,614	12/1950	Michael .....	D7/511 X
4,243,156	1/1981	Lobbestael .....	222/541
4,303,170	12/1981	Panicci .....	220/603
4,756,440	7/1988	Gartner .	
4,850,496	7/1989	Rudell et al. .	
4,961,510	10/1990	Dvoracek .	
5,050,759	9/1991	Marble .	
5,069,351	12/1991	Gunderson et al. .	
5,147,066	9/1992	Snider .....	220/717
5,294,018	3/1994	Boucher .....	220/603
5,316,160	5/1994	Cautereels .	

### Related U.S. Application Data

[63] Continuation-in-part of application No. 29/057,855, Aug. 1, 1996, Pat. No. Des. 387,247.

[51] **LOC (7) Cl.** ..... **07-01**

[52] **U.S. Cl.** ..... **D7/510**

[58] **Field of Search** ..... D24/197; 215/11.1, 215/11.2, 11.3, 11.4, 11.5, 11.6; D7/510, 511, 516; 220/603, 630, 711, 713, 716

### References Cited

#### U.S. PATENT DOCUMENTS

D. 259,231	5/1981	Kozlow, Sr. ....	D7/40
D. 310,567	9/1990	Fitzpatrick .....	D24/47
D. 315,213	3/1991	Ohnuki .....	D24/47
D. 354,416	1/1995	Cautereels et al. .	
D. 358,298	5/1995	Brown et al. .	
D. 359,417	6/1995	Chen .	
D. 361,469	8/1995	Young .	
D. 363,852	11/1995	Young .	
D. 364,314	11/1995	Humphrey et al. .	
D. 397,906	9/1998	Briggs et al. .	
D. 407,269	3/1999	Fletcher .....	D7/510

### FOREIGN PATENT DOCUMENTS

2 029 379 3/1980 United Kingdom .

*Primary Examiner*—Stella Reid  
*Attorney, Agent, or Firm*—Ohlandt, Greeley, Ruggiero & Perle, LLP

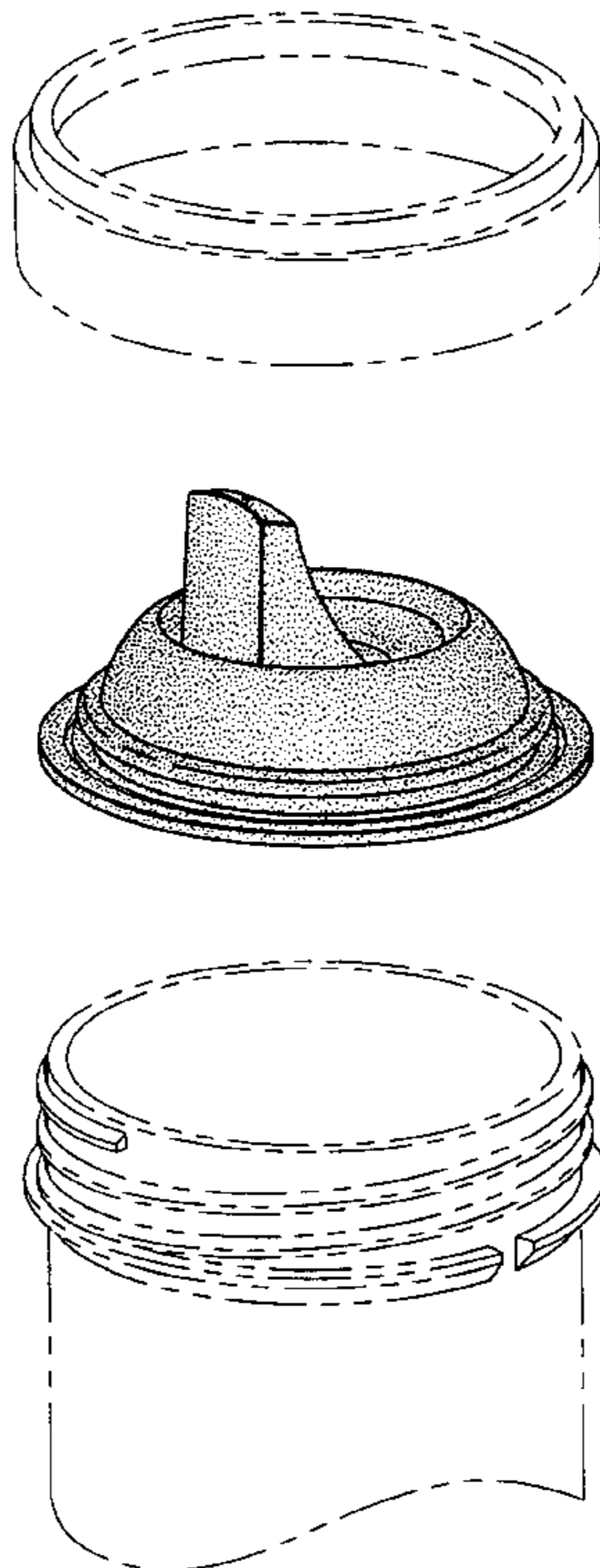
### [57] CLAIM

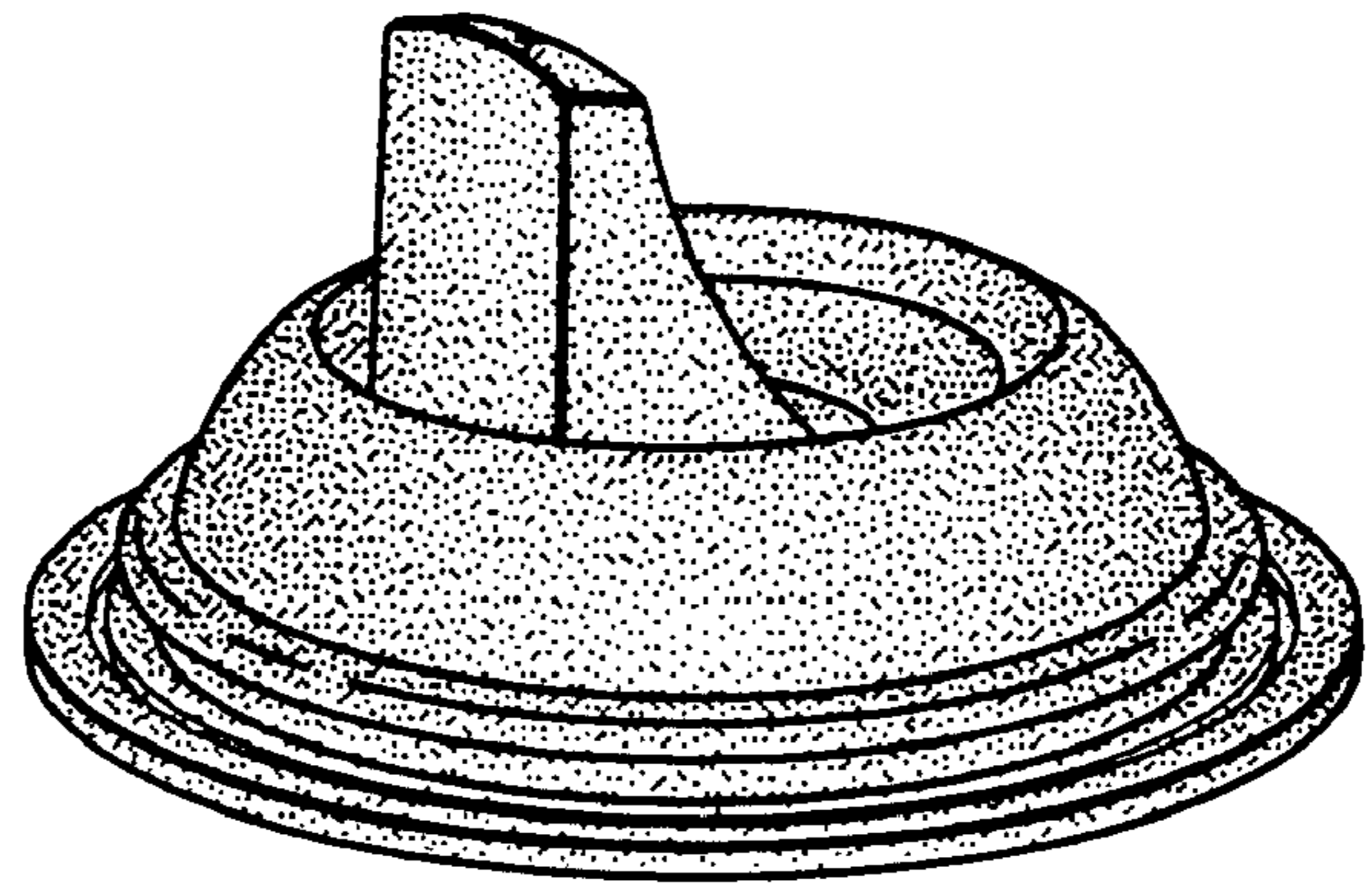
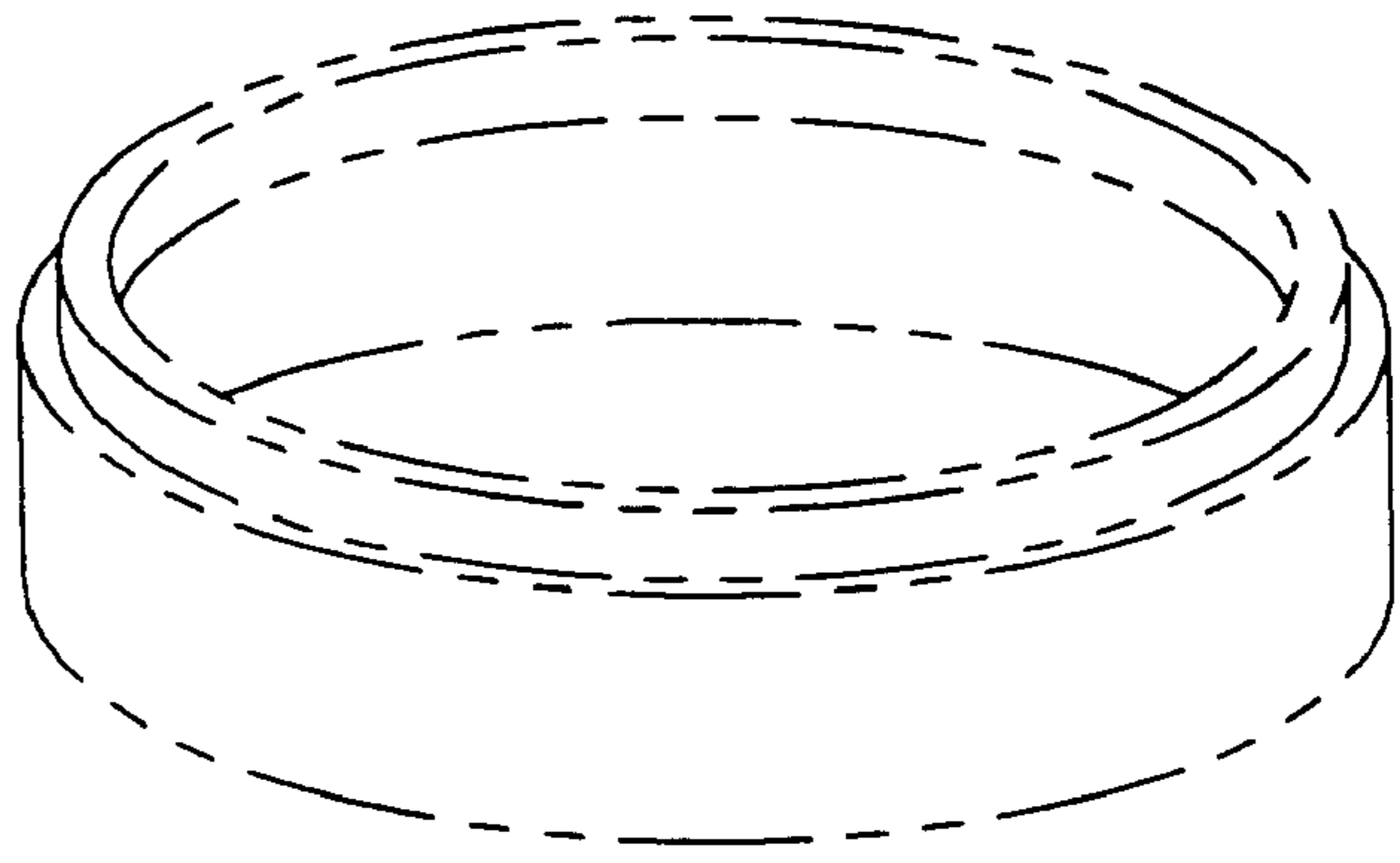
The ornamental design for the trainer spout, as shown as described.

### DESCRIPTION

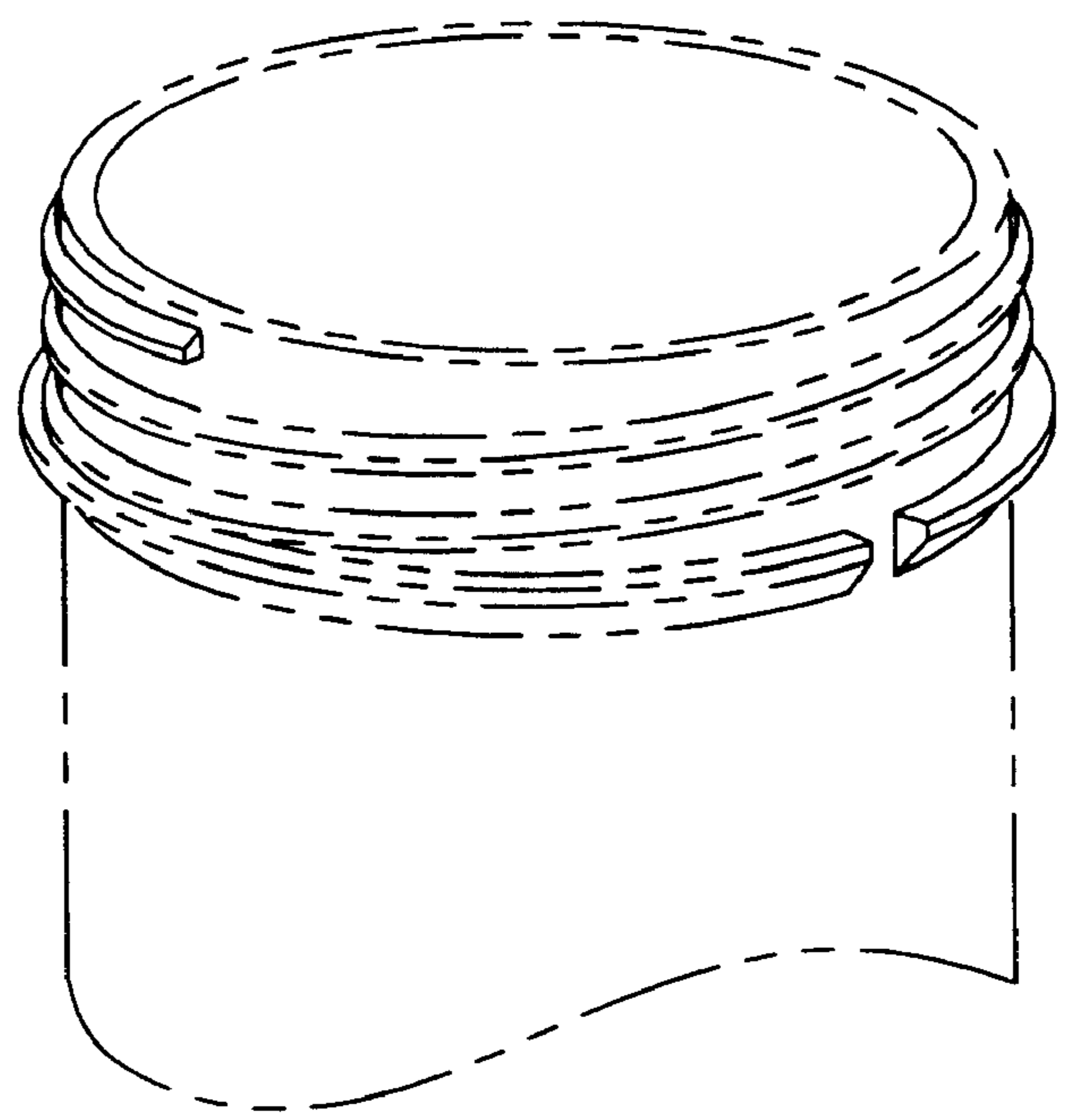
FIG. 1 is an exploded, perspective view of a trainer spout showing my new design, with the rest being an associated nurser bottle system shown in phantom; FIG. 2 is a top view of the trainer spout of FIG. 1; FIG. 3 is a bottom view of the trainer spout of FIG. 1; FIG. 4 is a front view of the trainer spout of FIG. 1; FIG. 5 is a back view of the trainer spout of FIG. 1; FIG. 6 is a side elevation view of the trainer spout of FIG. 1, the side opposite being identical to the side shown; and, FIG. 7 is a sectional view of the trainer spout taken along line 7—7 of FIG. 2.

1 Claim, 2 Drawing Sheets

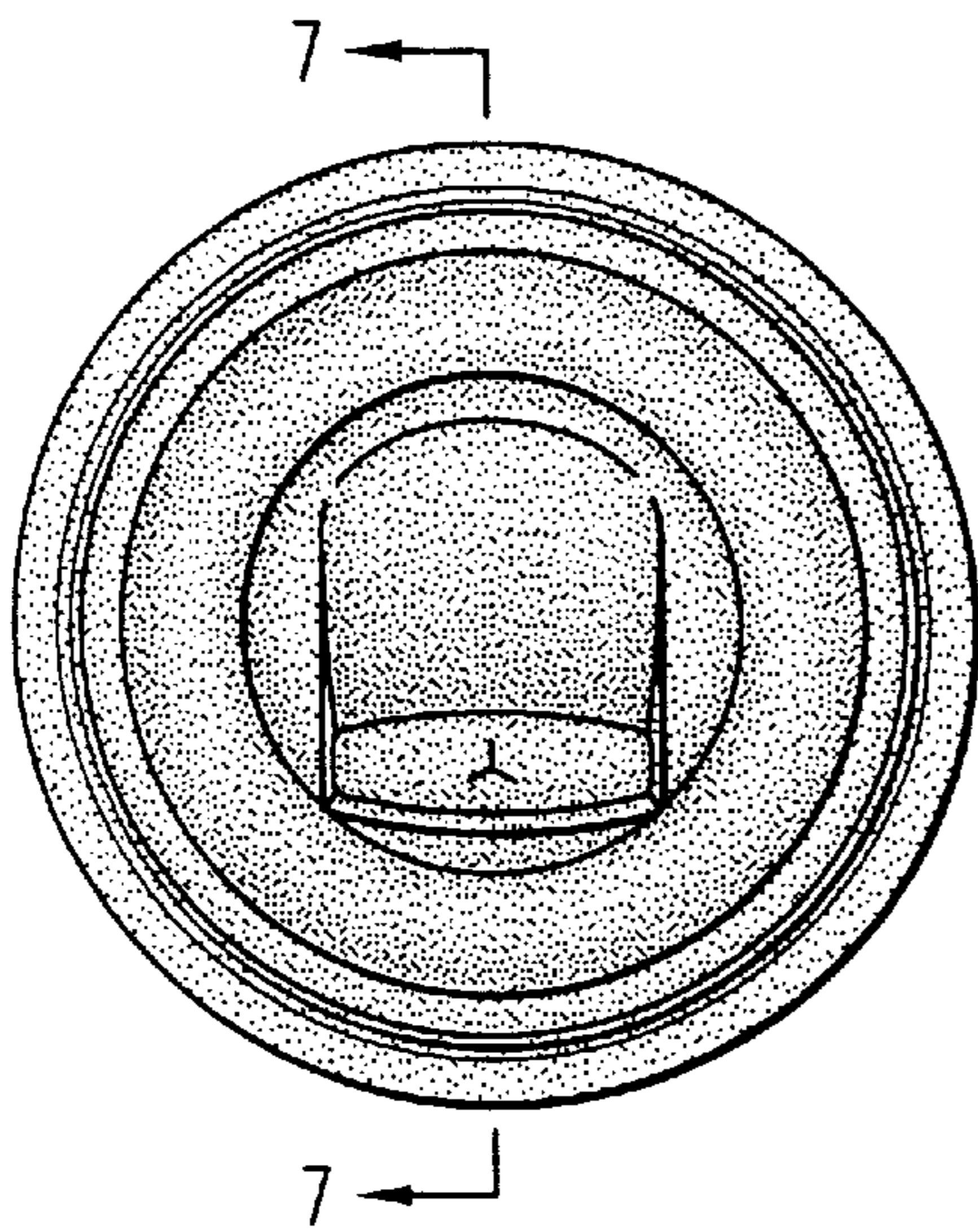




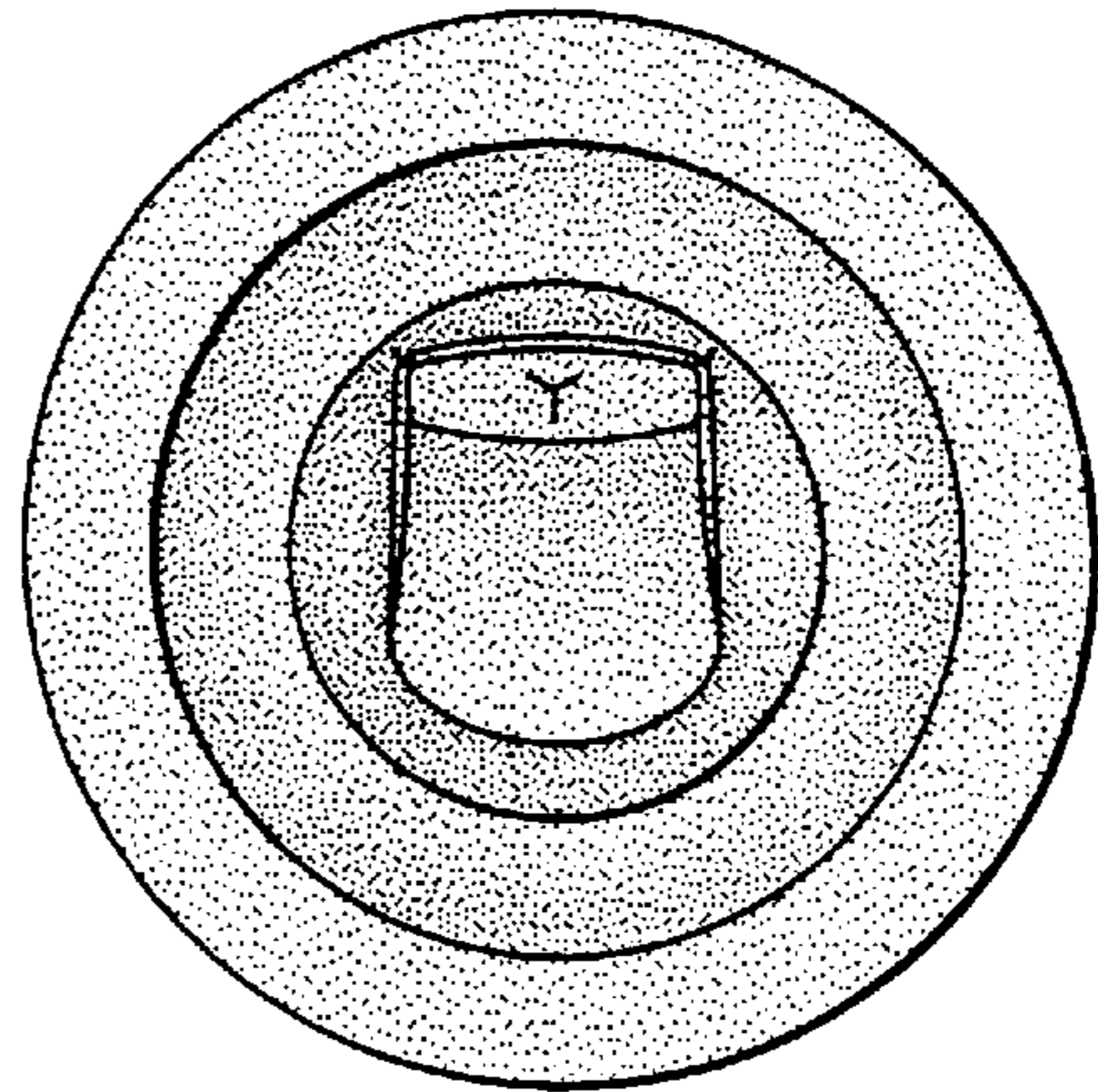
**FIG. 1**



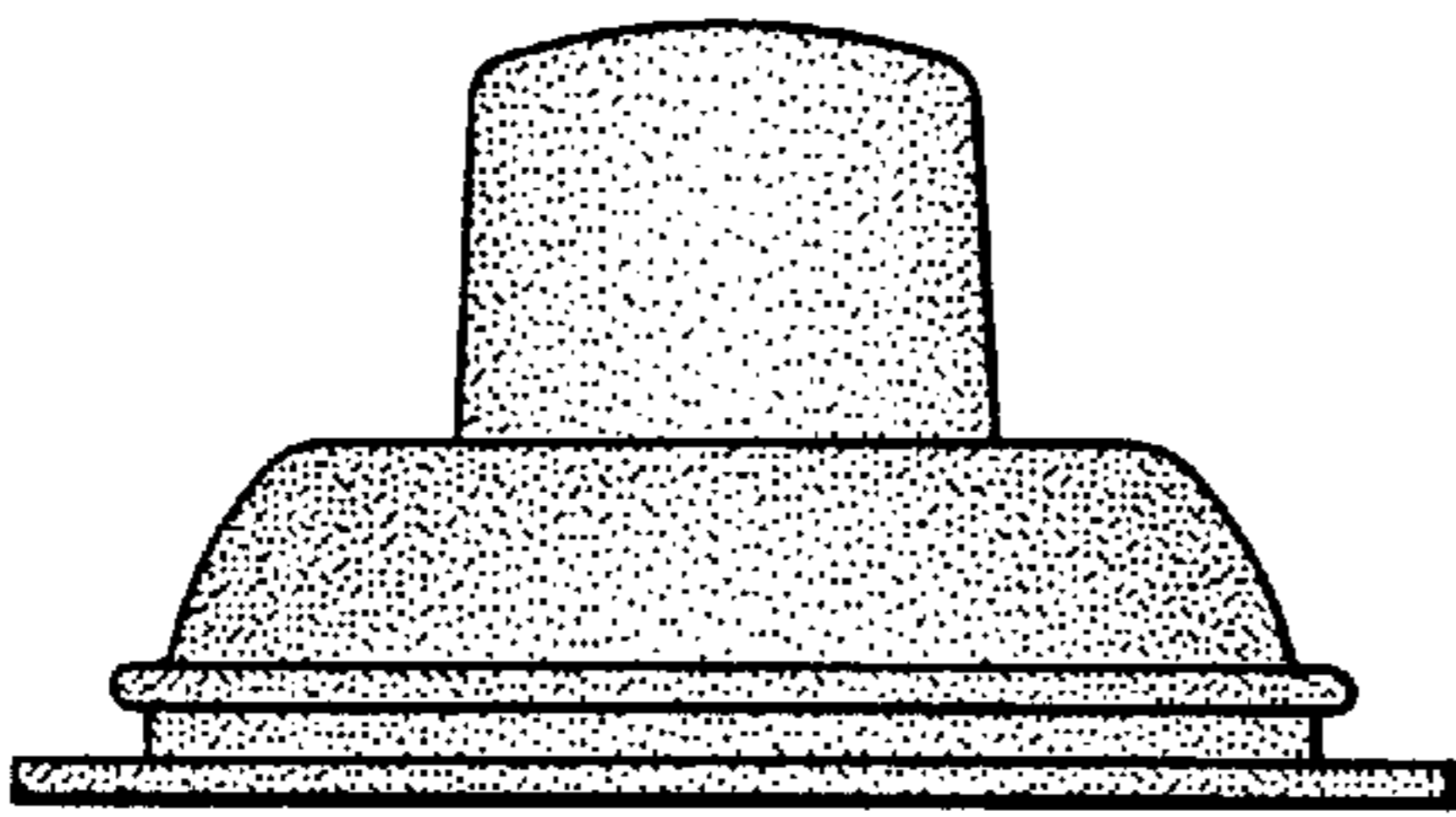




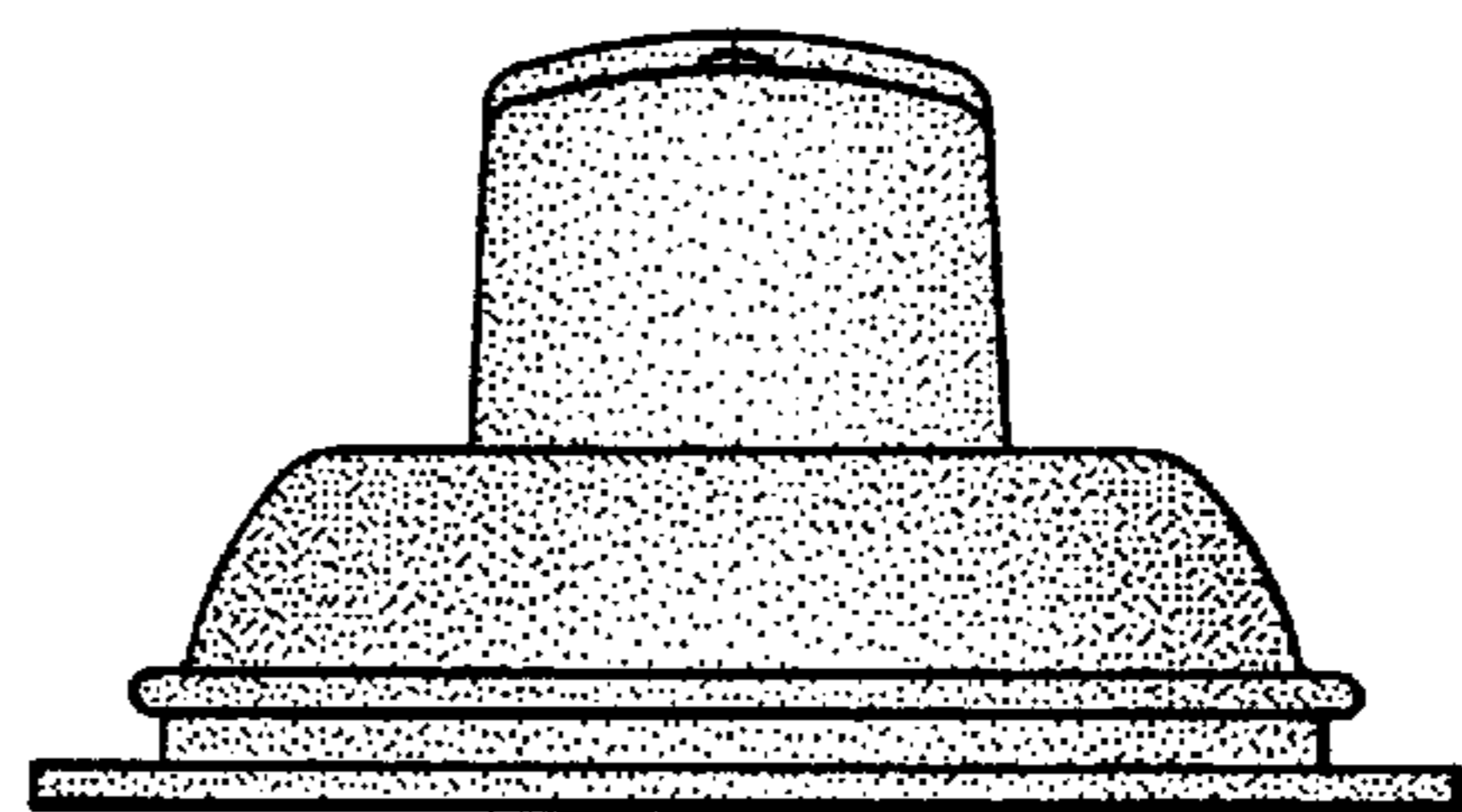
**FIG. 2**



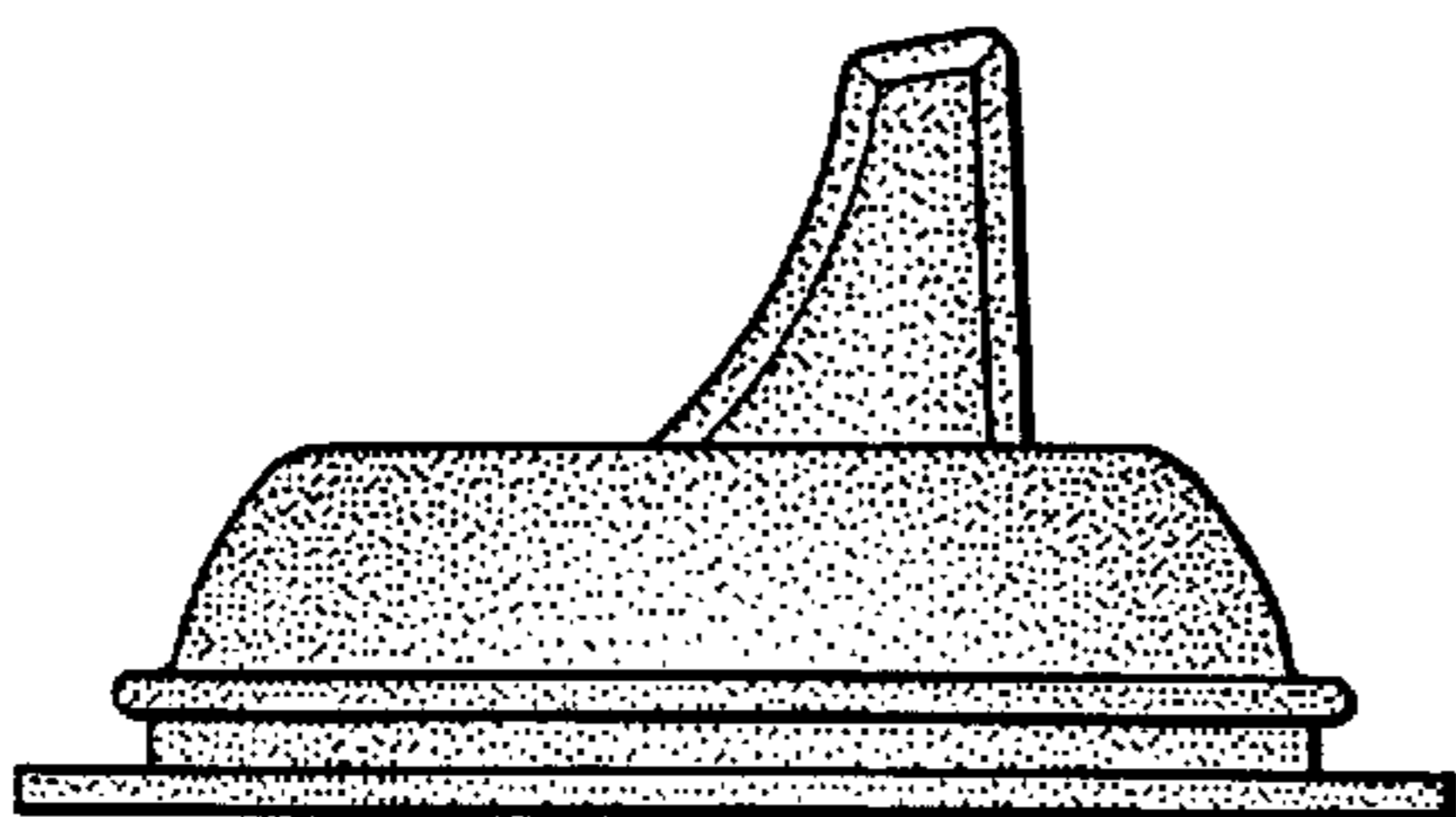
**FIG. 3**



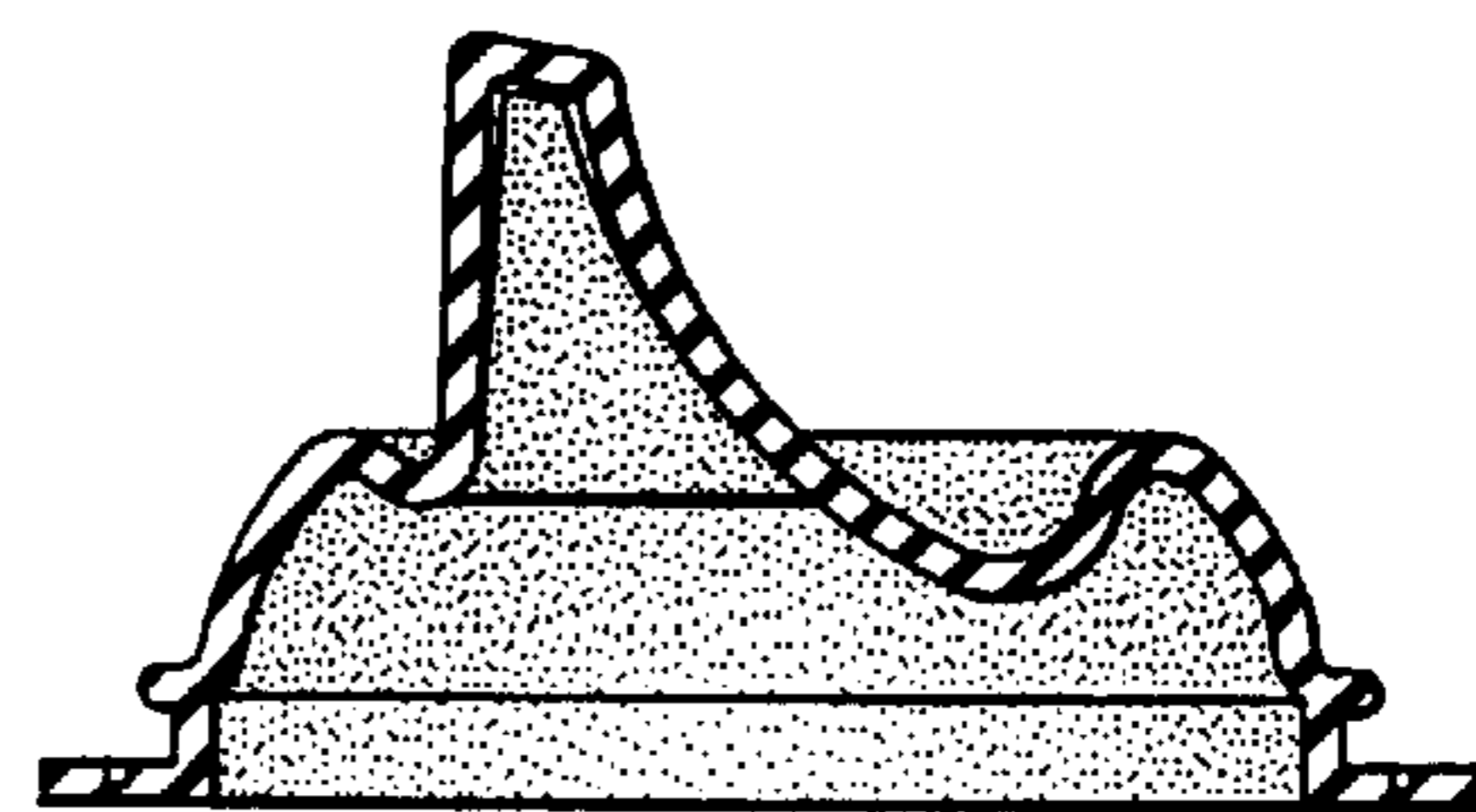
**FIG. 4**



**FIG. 5**



**FIG. 6**



**FIG. 7**