



US00D434940S

# United States Patent [19]

[11] **Patent Number: Des. 434,940**

**Hlava et al.**

[45] **Date of Patent: \*\* Dec. 12, 2000**

## [54] SLOW COOKER

[75] Inventors: **Lorens G. Hlava**, Clinton, Mo.; **Gary A. Klein**, Overland Park, Kans.; **Lori D. Baker**, Pleasant Hill, Mo.

[73] Assignee: **The Holmes Group**, Milford, Mass.

[\*\*] Term: **14 Years**

[21] Appl. No.: **29/119,618**

[22] Filed: **Feb. 25, 2000**

### Related U.S. Application Data

[63] Continuation of application No. 29/099,269, Nov. 21, 1997, which is a continuation of application No. 29/068,020, Mar. 17, 1997, abandoned.

[51] **LOC (7) Cl.** ..... **07-07**

[52] **U.S. Cl.** ..... **D7/354**

[58] **Field of Search** ..... D7/323, 354-361, D7/545; 99/324, 325, 339, 341, 403; 219/620, 621, 624

### [56] References Cited

#### U.S. PATENT DOCUMENTS

- D. 113,632 3/1939 Howlett .
- D. 199,747 12/1964 Farber ..... D7/354
- D. 230,935 3/1974 Lloveras .
- 244,180 7/1881 Campbell .
- D. 248,363 7/1978 Rinaldi ..... D7/354

(List continued on next page.)

#### FOREIGN PATENT DOCUMENTS

- 35389 9/1887 Canada .
- 1.082.456 12/1954 France .
- 270722 9/1912 Germany .
- 271879 11/1912 Germany .
- 75371 8/1917 Germany .
- 2329 2/1909 United Kingdom .
- 5969 7/1912 United Kingdom .
- 7612 11/1913 United Kingdom .
- 209721 11/1924 United Kingdom .

#### OTHER PUBLICATIONS

West Bend Electric Steamer/Rice Cooker operating manual and cookbook; published in Dec. 1992, pp. 1, 3-5.

Black & Decker Handy Steamer operating manual and cookbook; published in 1991, pp. 1-7.  
 Moulinex Steam Cooker operating manual and warranty booklet; believed published in 1993, pp. 1-5.  
 Hamilton Beach Vegetable Steamer/Rice Cooker operating manual; published in Feb. 1993, pp. 1, 6.  
 Steam Cuisine operating manual and cookbook.  
 Contempra Table Toppers manual and cookbook.  
 Aroma Rice Cooker/Steamer newspaper article.  
 Hitachi, ChimeOmatic Models RD5083 & RD6103 specifications.  
 Hitachi Models RD3031, RD405F, RZ1540L/8 & RZ1840L/10 specifications.  
 Steamer packaging exterior, no date.  
 West Bend Electric Steamer/Rice Cooker advertisement; believed published in 1992.  
 Rival Automatic Steamer and Rice Cooker operating manual and cookbook; published in 1985, pp. 1-3.  
 House & Home Electric Steamer & Rice Cooker packaging exterior.  
 Nesco Steam Cuisine operating manual and cookbook; published in 1991, pp. 1-4.  
 Singer Lo-Cal Cooker operating manual and cookbook; no date avail. pp. 1, 5, and 26.

*Primary Examiner*—Caron D. Veynar  
*Attorney, Agent, or Firm*—Brinks Hofer Gilson & Lione; Frank Marino

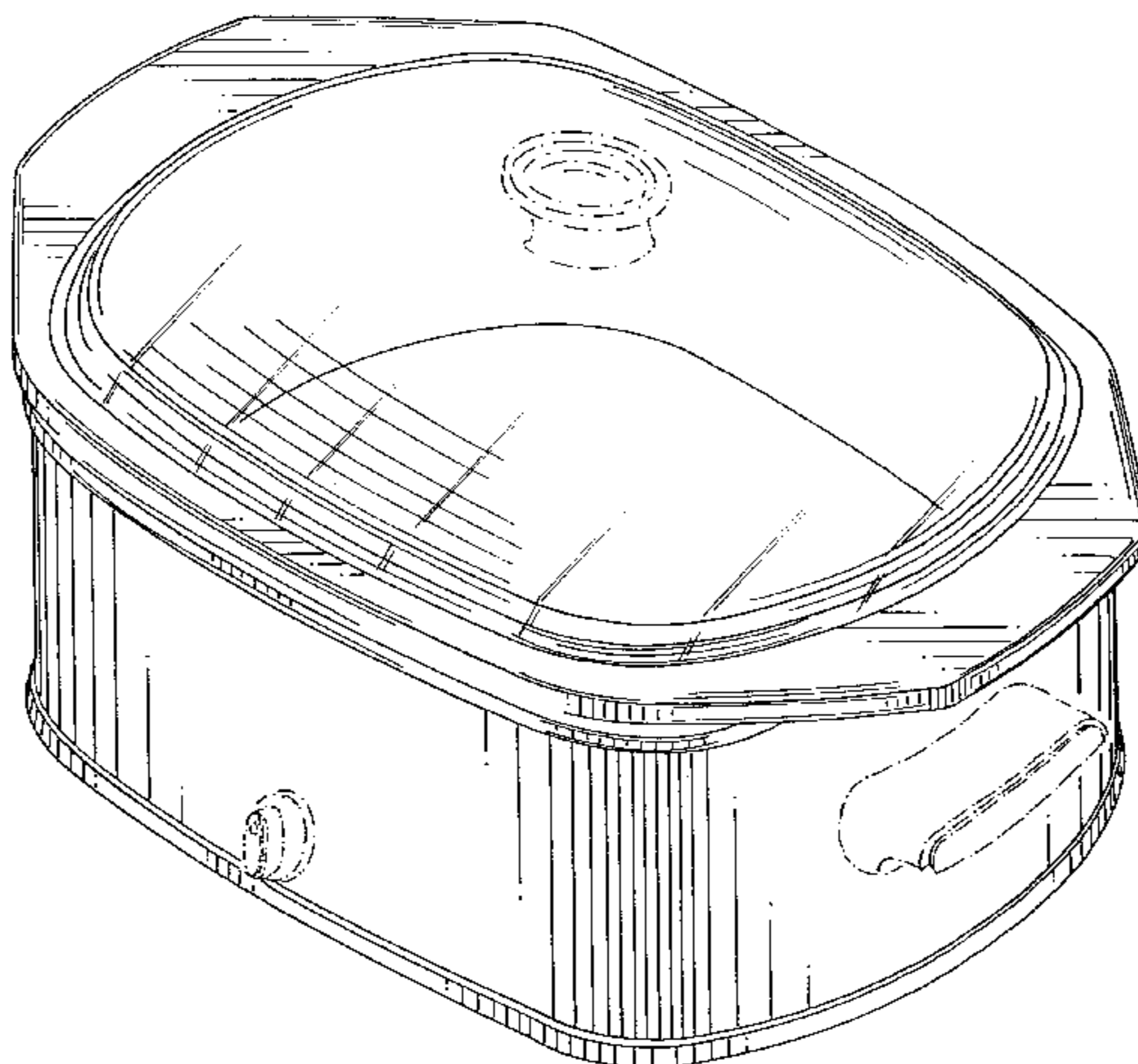
### [57] CLAIM

The ornamental design for a slow cooker, as shown and described.

### DESCRIPTION

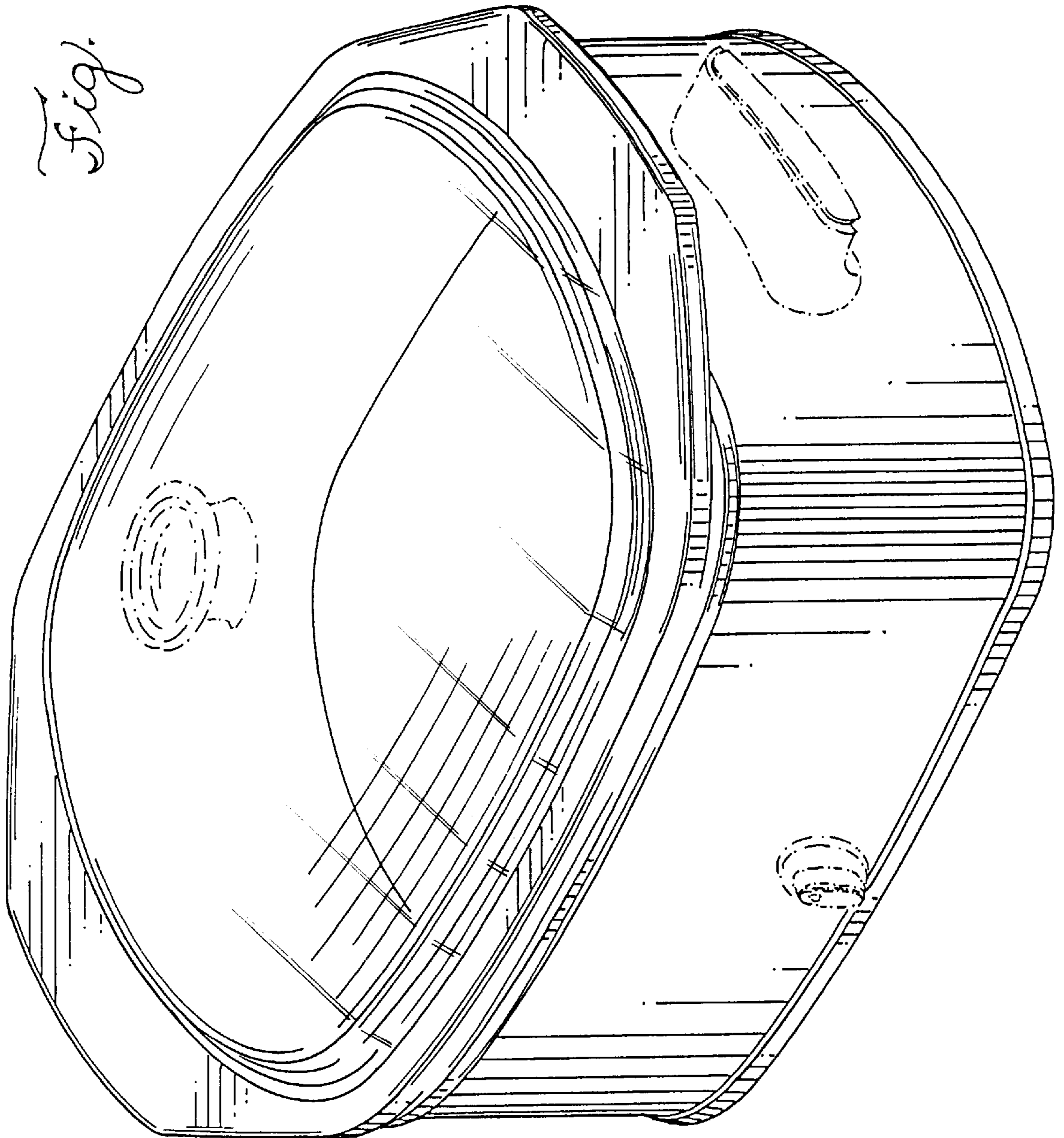
FIG. 1 is a perspective view of a slow cooker showing our new design;  
 FIG. 2 is a front view thereof;  
 FIG. 3 is a bottom view thereof;  
 FIG. 4 is a top view thereof;  
 FIG. 5 is a rear view thereof;  
 FIG. 6 is a right side view thereof; and,  
 FIG. 7 is a left side view thereof.  
 The broken line showings in FIGS. 1-7 are for illustrative purposes only and form no part of the claimed design.

**1 Claim, 4 Drawing Sheets**

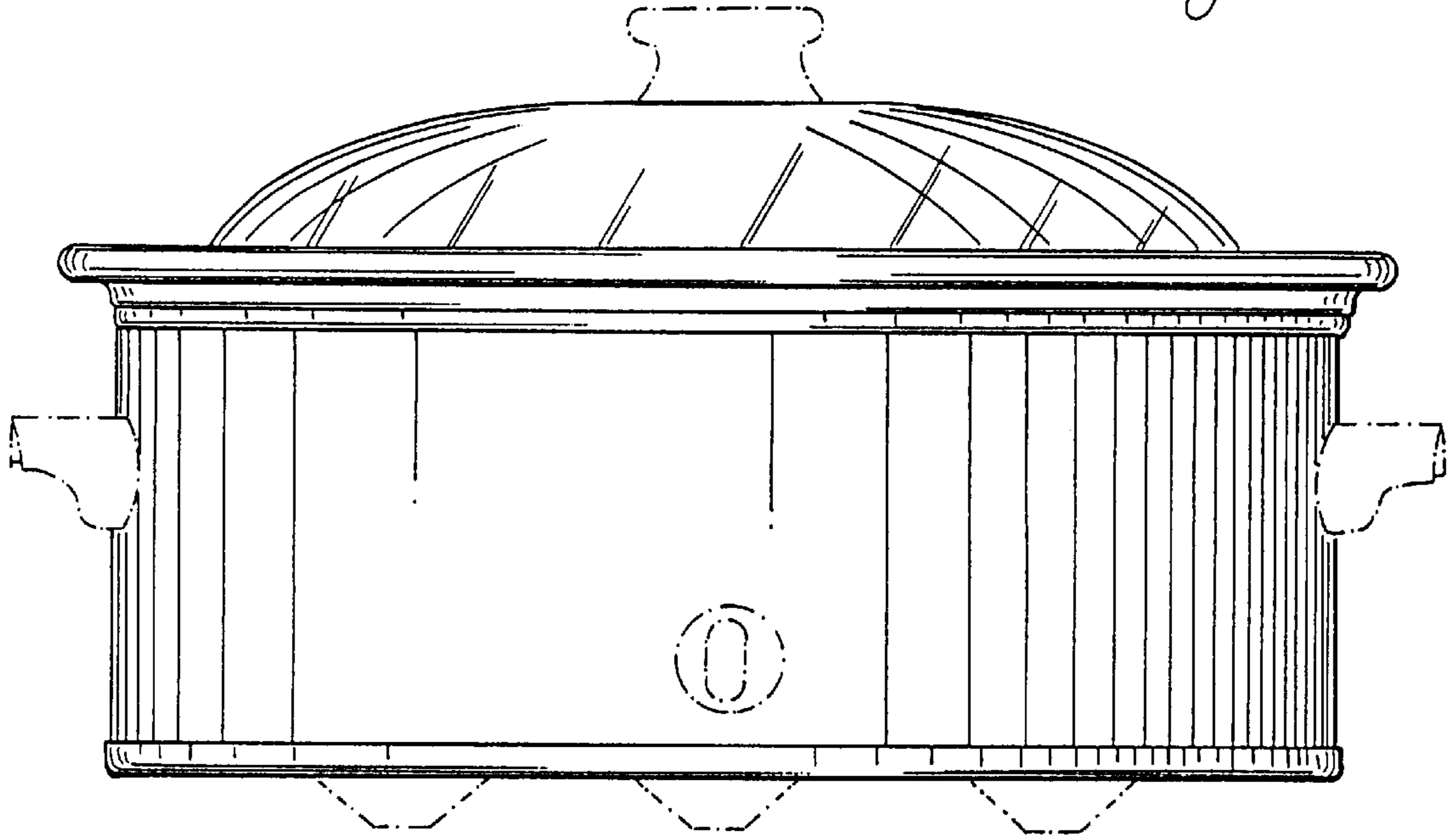


U.S. PATENT DOCUMENTS					
			2,131,663	9/1938	Hughes ..... 53/4
			2,145,263	1/1939	Huntzinger et al. .... 53/6
D. 253,574	12/1979	Anderson, Jr. .... D7/356	2,554,412	5/1951	Kavanagh ..... 99/425
D. 254,355	3/1980	Ottier ..... D7/545	2,622,591	12/1952	Bramberry ..... 126/331
	263,049	8/1882 Krehbiel .	2,715,898	8/1955	Michaelis et al. .... 126/273
D. 275,925	10/1984	Bowen et al. .... D7/357	2,718,842	9/1955	Klemm ..... 99/234
D. 279,956	8/1985	Eyck et al. .... D7/354	2,761,375	9/1956	Jepson ..... 99/344
	282,587	8/1883 Swink .	2,947,304	8/1960	Ashley ..... 126/381
D. 284,257	6/1986	Greb et al. .... D7/355	3,078,783	2/1963	Lee ..... 99/259
	354,240	12/1886 Roberts .	3,147,689	9/1964	Sakamoto et al. .... 99/331
D. 366,592	1/1996	Cesaroni et al. .... D7/360	3,275,801	9/1966	Churchill ..... 219/457
	366,960	7/1887 Johnson et al. .	3,485,163	12/1969	Arita ..... 99/413
D. 416,434	11/1999	Pollnow ..... D7/360	3,659,584	5/1972	Doyle et al. .... 126/269
D. 420,246	2/2000	Alonge et al. .... D7/360	3,869,595	3/1975	Collins et al. .... 219/387
D. 420,247	2/2000	Kaney et al. .... D7/360	4,045,653	8/1977	Soper et al. .... 219/438
D. 425,360	5/2000	Dobson et al. .... D7/360	4,052,590	10/1977	Anderl et al. .... 219/438
	560,336	5/1896 Willson .	4,115,918	9/1978	Anderl et al. .... 29/611
	607,759	7/1898 Mathy .	4,148,250	4/1979	Miki et al. .... 99/403
	636,528	11/1899 Henderson .	4,197,791	4/1980	Vieceli et al. .... 99/339
	776,926	12/1904 Misener .	4,452,132	6/1984	Miller et al. .... 99/483
	780,851	1/1905 Wilson .	4,509,412	4/1985	Whittenburg et al. .... 99/331
	869,903	11/1907 Harloe .	4,605,840	8/1986	Koopman ..... 219/401
	907,154	12/1908 Lewis et al. .	4,650,968	3/1987	Williams ..... 219/401
	925,781	6/1909 Mathy .	4,920,251	4/1990	Whitenack et al. .... 219/401
	926,028	6/1909 Smith .	5,097,753	3/1992	Naft ..... 99/341
1,606,395	11/1926	Hensel et al. .			
2,089,411	8/1937	Olsson et al. .... 53/2			

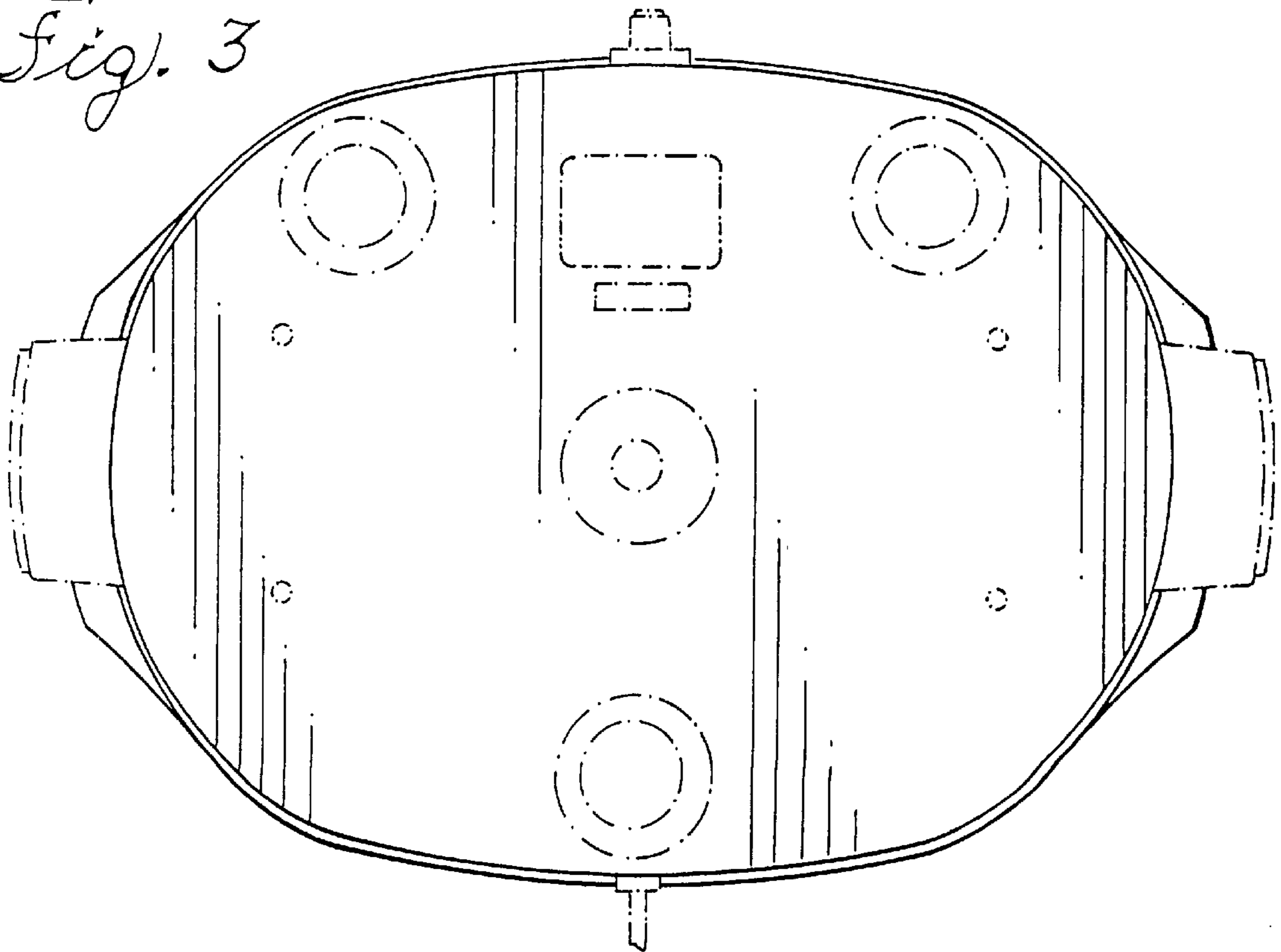
*Fig. 1*

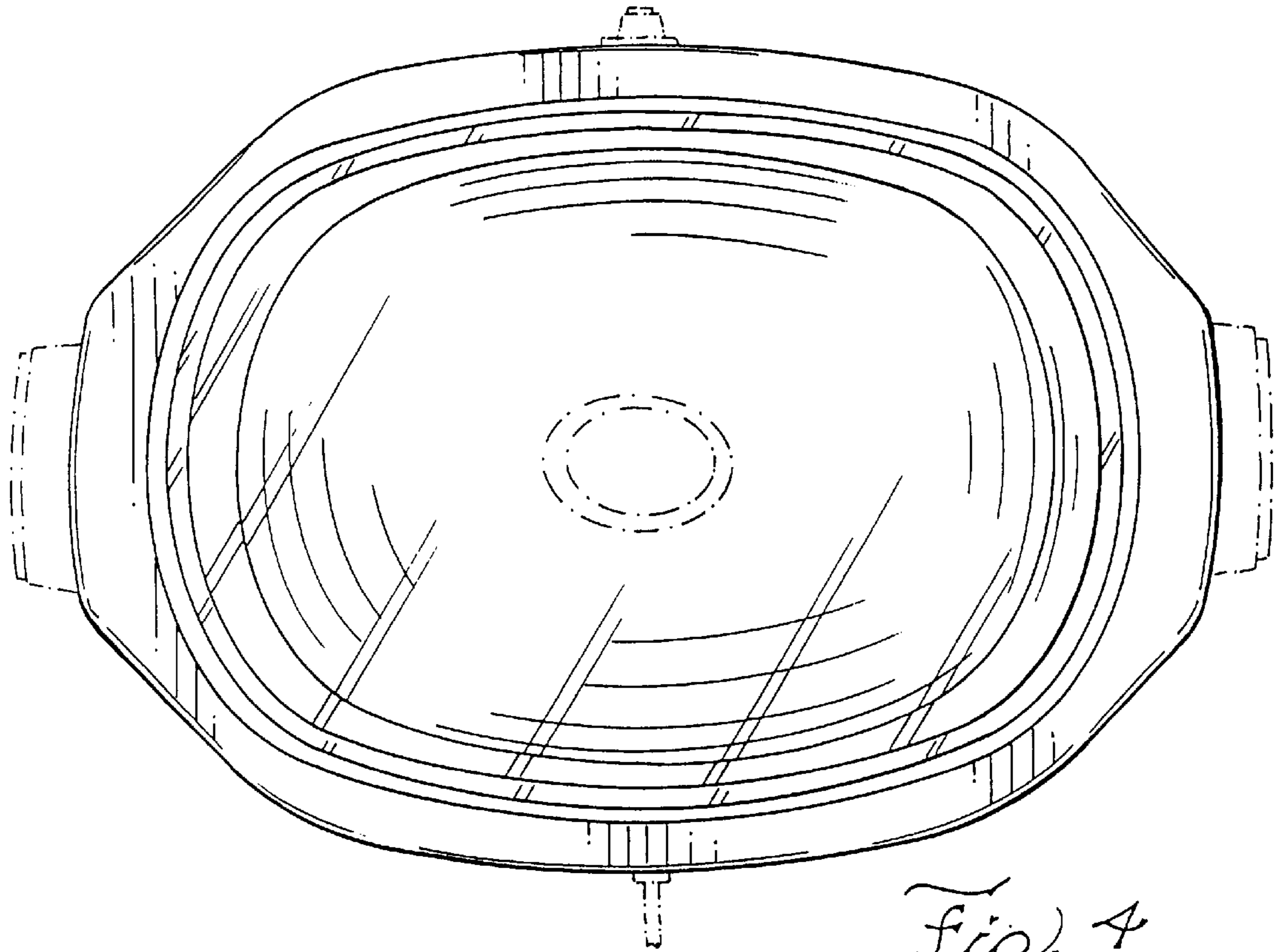


*Fig. 2*

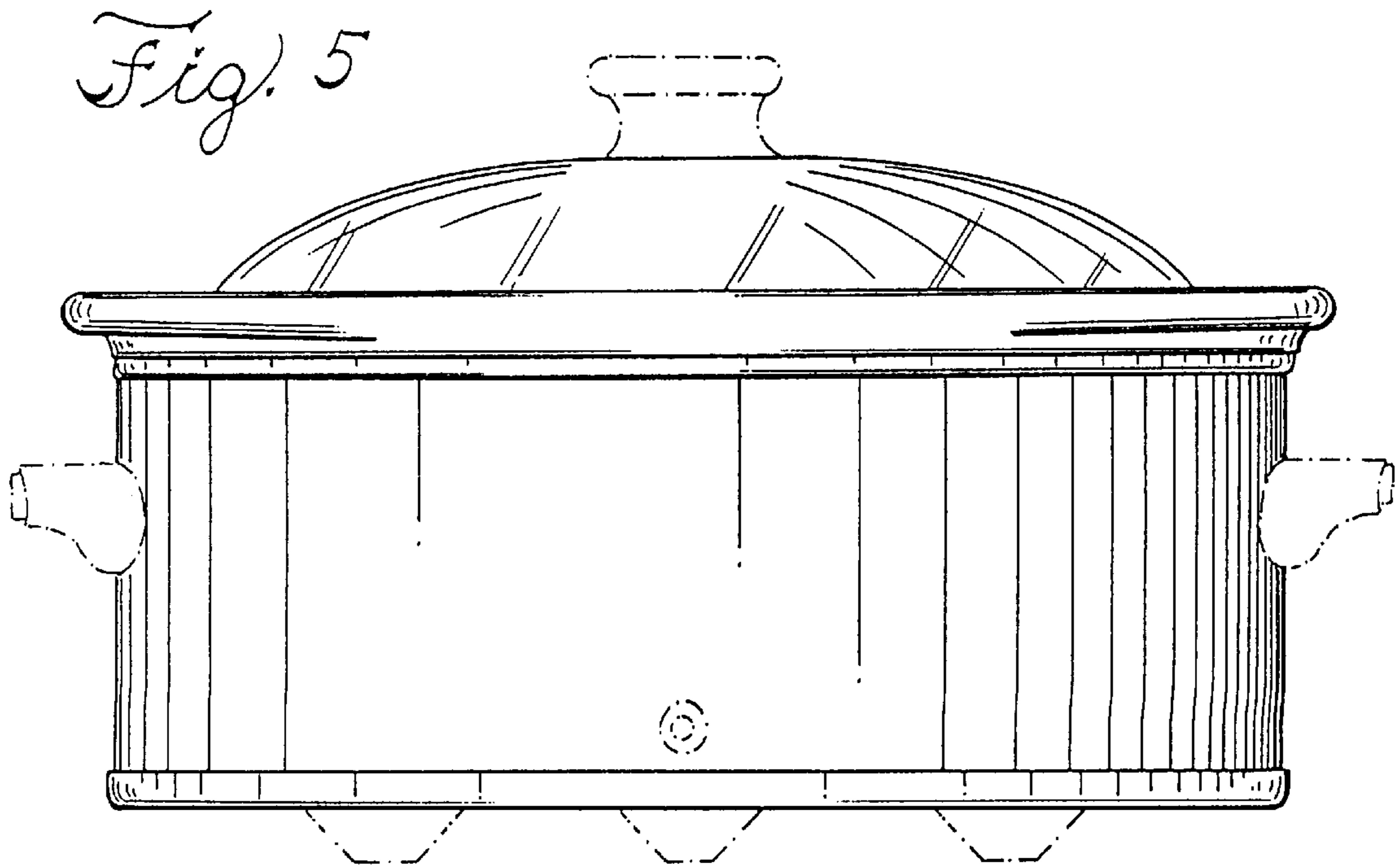


*Fig. 3*



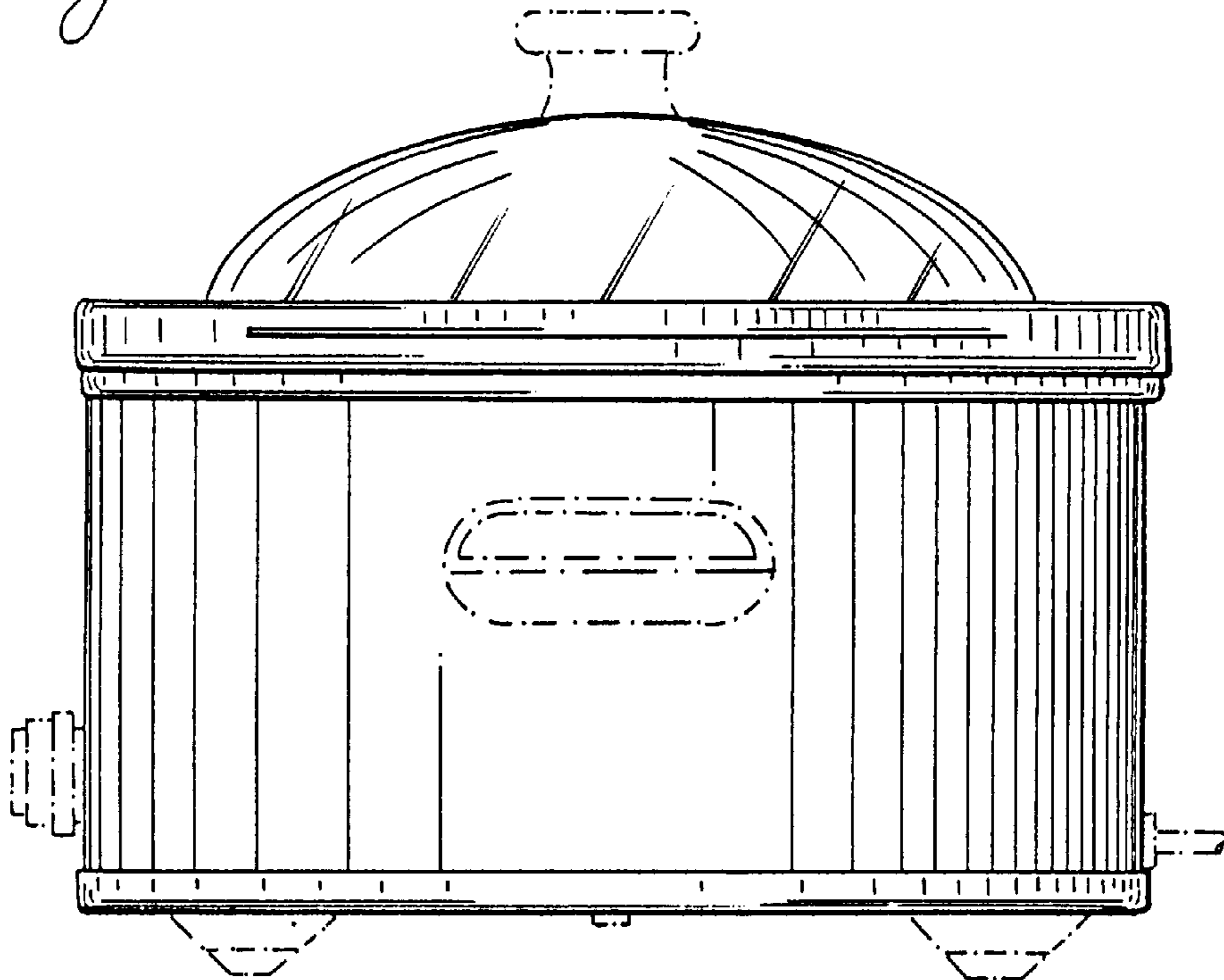


*Fig. 4*



*Fig. 5*

*Fig. 6*



*Fig. 7*

