



US00D434938S

United States Patent [19] Hillman

[11] Patent Number: Des. 434,938

[45] Date of Patent: ** Dec. 12, 2000

[54] **COMPACT DISC STORAGE WALLET WITH ATTACHED HANDLE**

[75] Inventor: **Jack L. Hillman**, Colorado Springs, Colo.

[73] Assignee: **Case Logic, Inc.**, Longmont, Colo.

[**] Term: **14 Years**

[21] Appl. No.: **29/117,385**

[22] Filed: **Jan. 21, 1999**

[51] **LOC (7) Cl.** **06-04**

[52] **U.S. Cl.** **D6/633; D3/218; D6/629; D6/630; D6/631; D6/632; D6/635**

[58] **Field of Search** **D3/201; D6/407, D6/408, 626-635, 124; D14/26, 27; D19/32, 33, 74, 89; D27/340, 360; 40/626, 771, 775, 307; 150/149; 132/312; 206/307, 308.1, 308.3, 309, 311, 312, 313, 387.13, 396, 408, 730; 281/29; 229/67.1, 68.1, 70-72**

[56] **References Cited**

U.S. PATENT DOCUMENTS

D. 142,334	8/1945	Gordon	D27/89
D. 189,809	2/1961	Cole et al.	D19/27
D. 247,069	1/1978	Siris	D3/319
D. 278,859	5/1985	Katz et al.	D3/301
D. 303,042	8/1989	Mackey	D6/630
D. 316,180	4/1991	Hines	D6/629
D. 328,096	7/1992	Gordon	D19/26
D. 330,456	10/1992	Lehman	D6/631
D. 332,005	12/1992	Walasek	D6/630
D. 352,604	11/1994	Johnson	D3/303
D. 360,800	8/1995	Temple et al.	D6/629
D. 382,166	8/1997	Alves et al.	D6/634
D. 386,014	11/1997	Chen	D6/407
D. 391,605	3/1998	Wyant	D19/27
D. 403,915	1/1999	Temple et al.	D6/631
D. 407,432	3/1999	Tell	D19/26
D. 412,936	8/1999	Hodes	D19/26
D. 417,889	12/1999	French	D19/26
D. 419,186	1/2000	Moor	D19/27
D. 424,105	5/2000	Platte, III	D19/27

2,000,302	5/1935	Solomon	132/312
2,004,672	6/1935	Penta	150/149
2,038,319	4/1936	Stanley	132/312
2,076,683	4/1937	Tharp	206/730
2,828,975	4/1958	Wright	281/19.1
3,029,854	4/1962	Burniski	150/149
3,241,863	3/1966	Paddock	281/29
4,518,275	5/1985	Rauch, III et al.	206/308.3
5,193,681	3/1993	Lievsay	206/308.3

OTHER PUBLICATIONS

Case Logic 1999; Product Catalog, pp. 5, 6, and 7.
CDProjects 1999 Catalog, Cover Page, pp. 3, 4, 7, 10, & 23.
BMI Case it Brochure; front and back side of cover.

Primary Examiner—Celia Murphy
Attorney, Agent, or Firm—Sheridan Ross P.C.

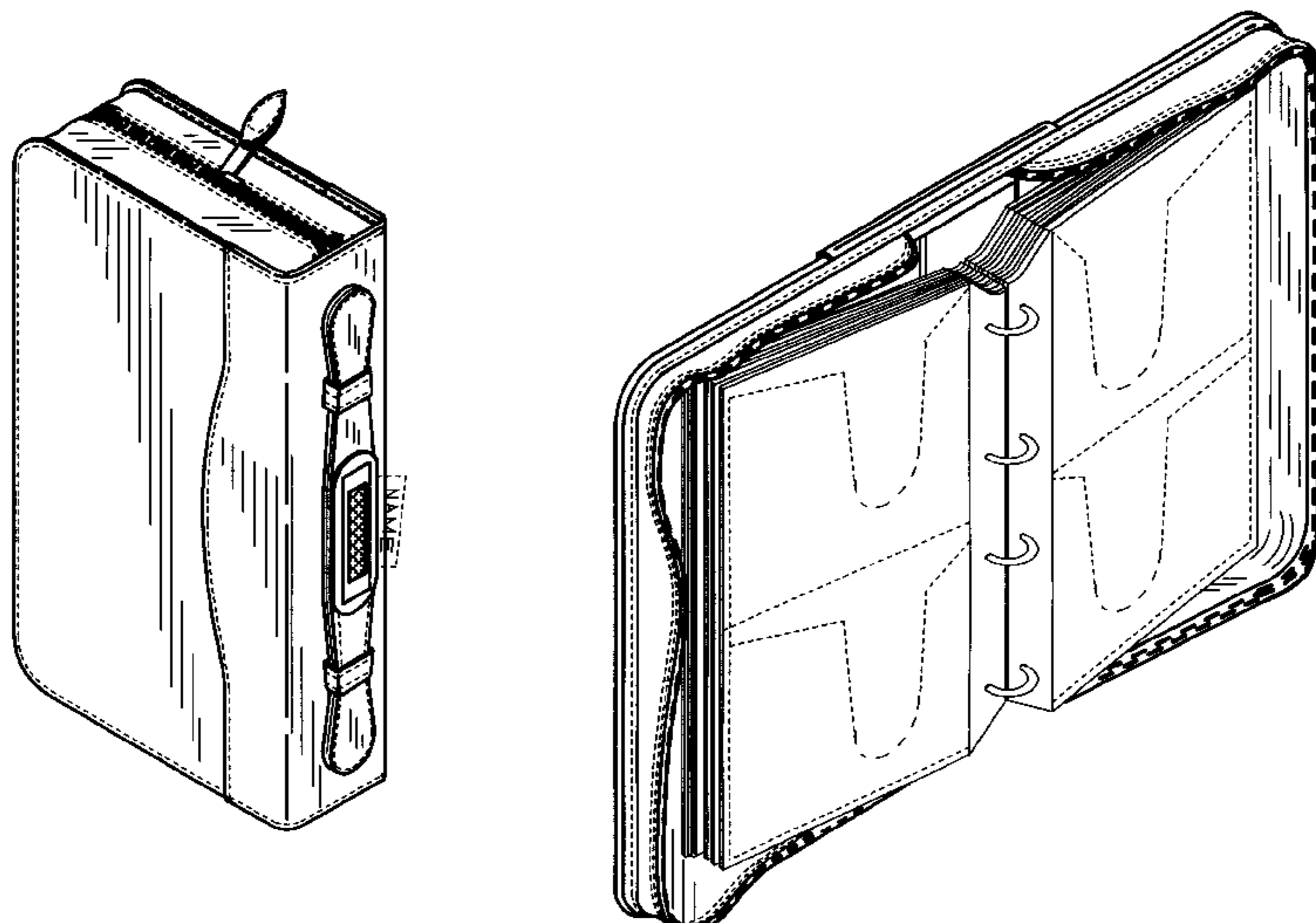
[57] **CLAIM**

The ornamental design for a compact disc storage wallet with attached handle, as shown and described.

DESCRIPTION

FIG. 1 is a perspective view of a compact disc storage wallet with attached handle showing my new design, the broken lines on the surfaces and edges of the cover being understood to represent stitching, and the broken lines showing legible indicia not forming any part of the claimed design; FIG. 2 is a front perspective view thereof shown in an open position; the broken line shown on the inner leaves in FIGS. 2 and 8 being shown to illustrate environmental subject matter and not part of the claimed design; FIG. 3 is a left elevation view of the invention illustrated in FIG. 2; FIG. 4 is a right elevation view of the invention illustrated in FIG. 2; FIG. 5 is a bottom plan view of the invention illustrated in FIG. 2; FIG. 6 is a top plan view of the invention illustrated in FIG. 2; FIG. 7 is a rear elevation view of the invention illustrated in FIG. 2; and, FIG. 8 is a front elevational view of FIG. 2;

1 Claim, 2 Drawing Sheets



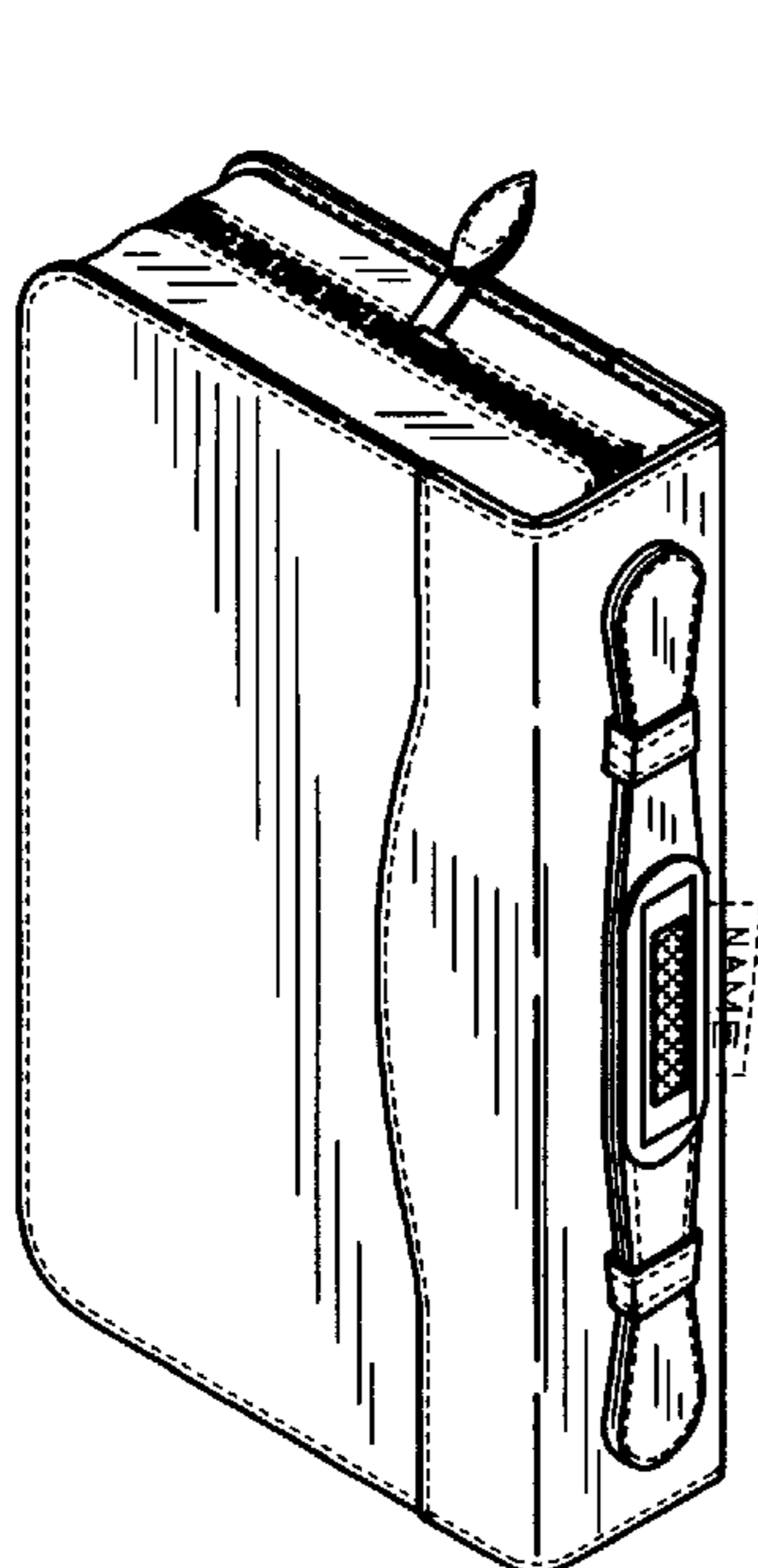


Fig. 1

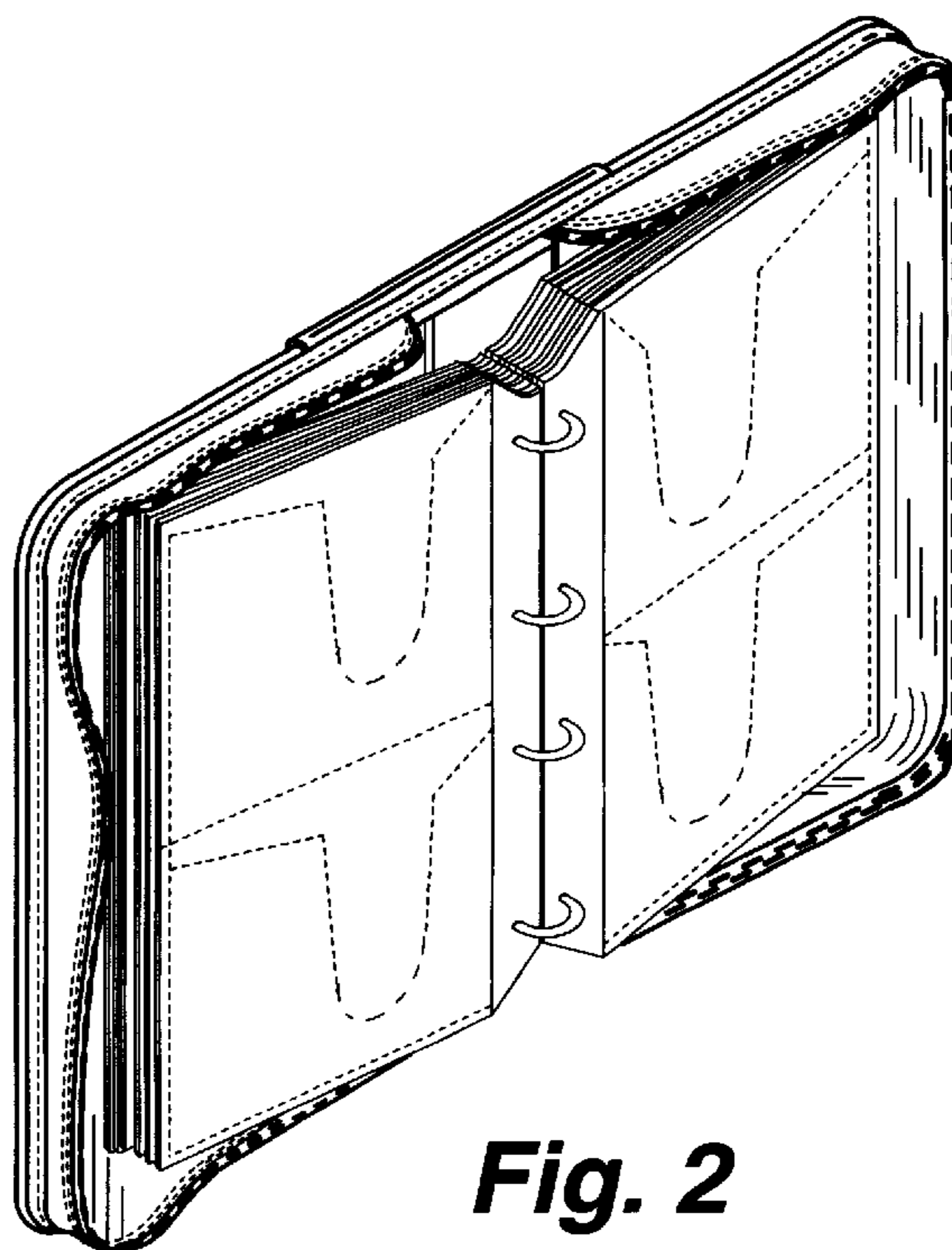


Fig. 2

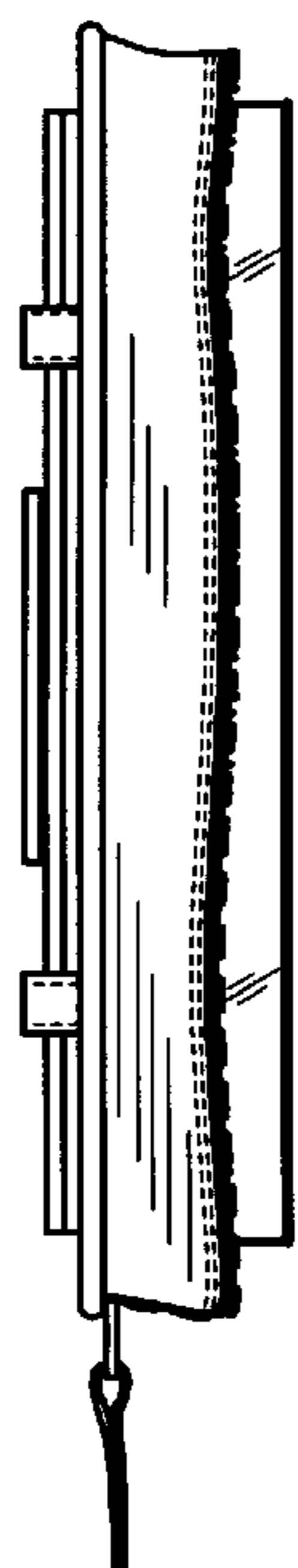


Fig. 3

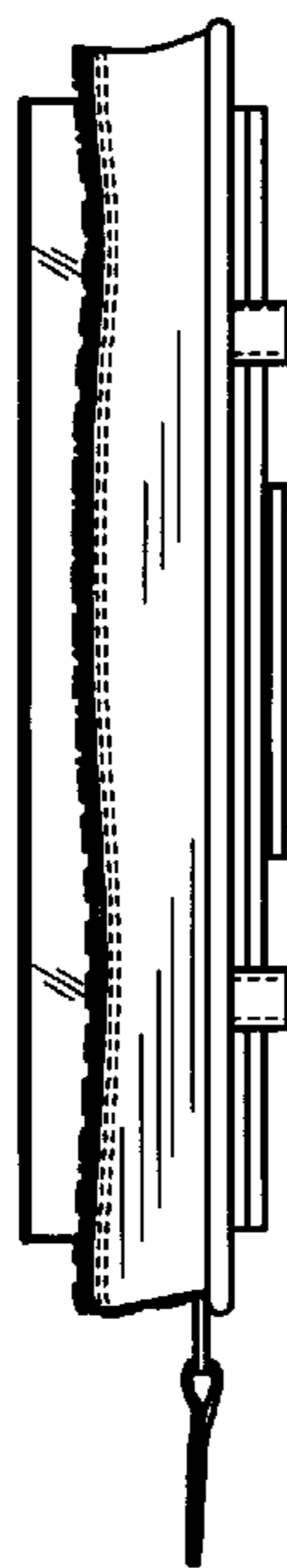


Fig. 4

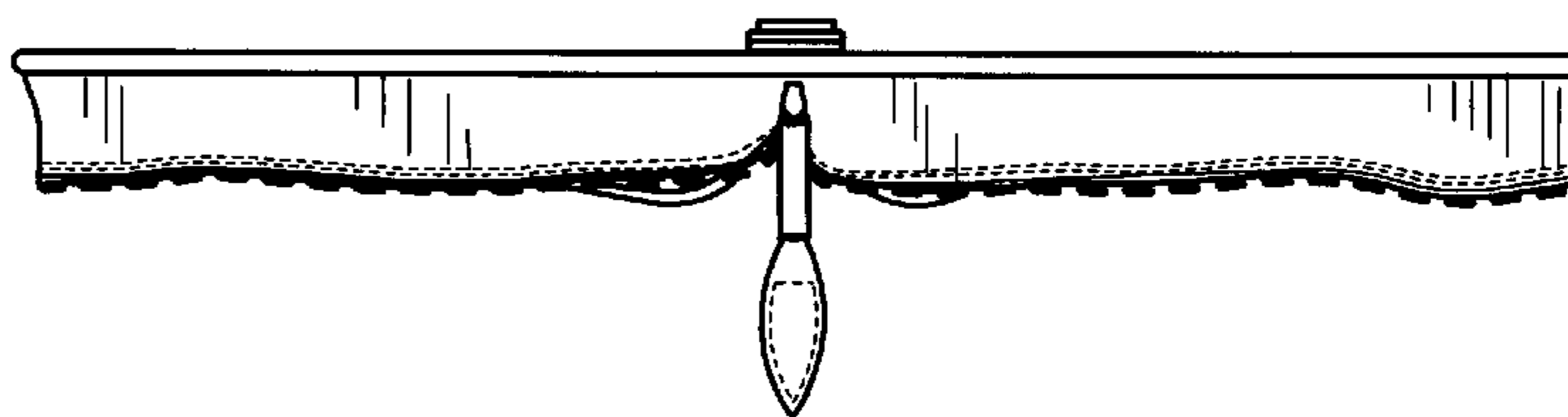


Fig. 5

Fig. 6

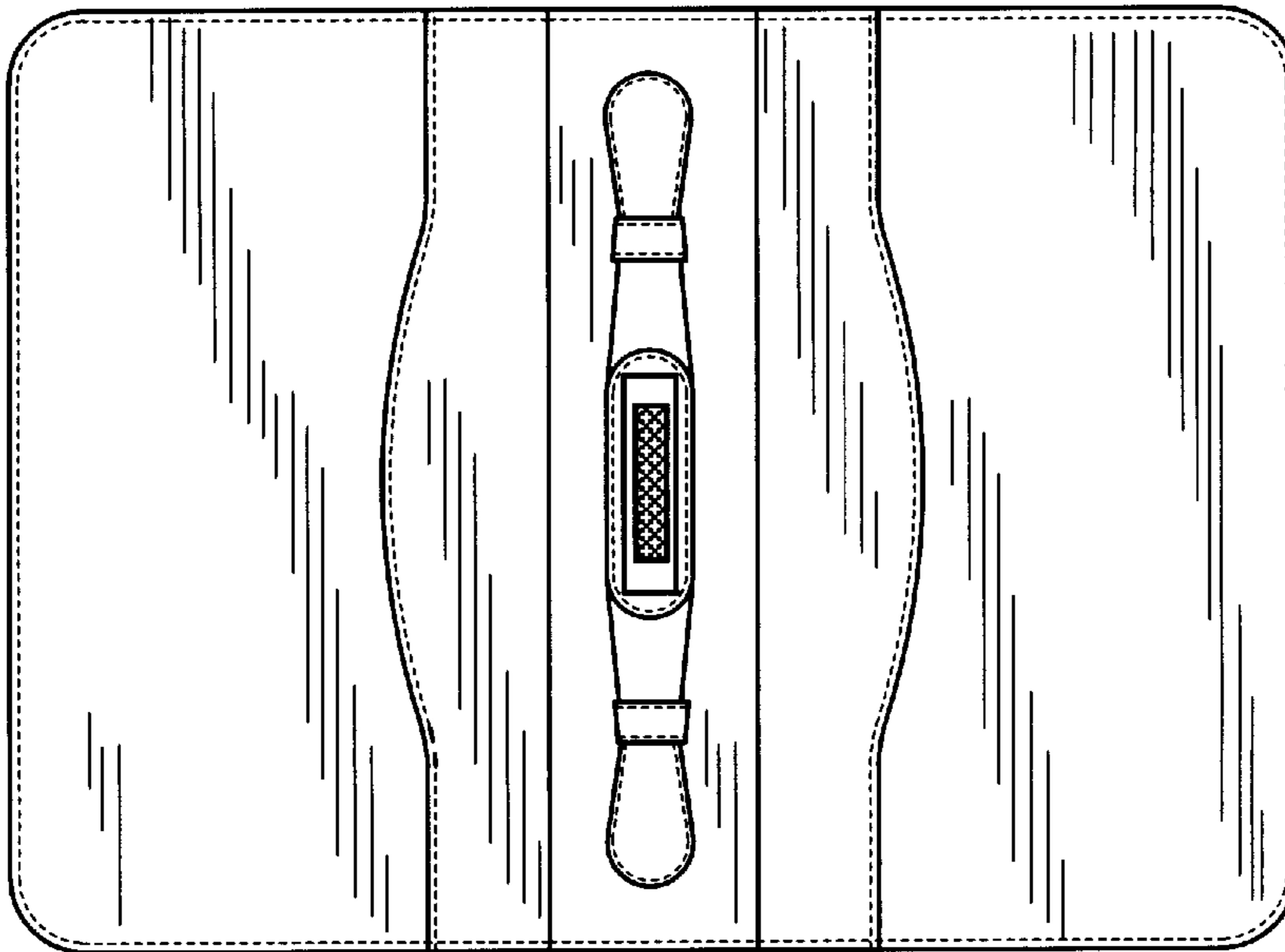


Fig. 7

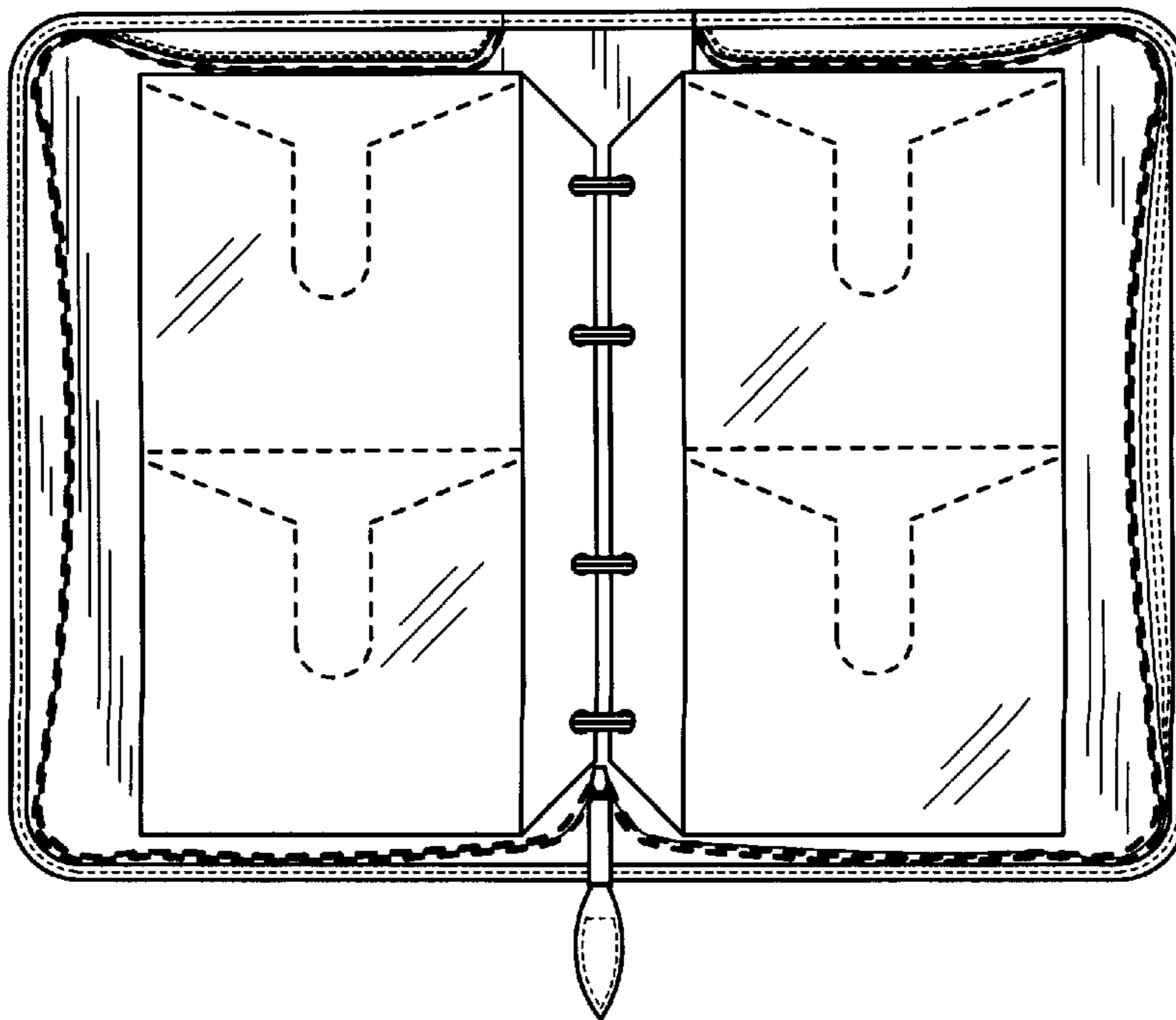


Fig. 8

UNITED STATES PATENT AND TRADEMARK OFFICE
CERTIFICATE OF CORRECTION

PATENT NO. : Des. 434,938
DATED : December 12, 2000
INVENTOR(S) : Hillman

Page 1 of 1

It is certified that error appears in the above-identified patent and that said Letters Patent is hereby corrected as shown below:

Title page,

Item [22], "**Jan. 21, 1999**" should be -- **Jan. 21, 2000** --.

Signed and Sealed this

Fourth Day of February, 2003

A handwritten signature in black ink, appearing to read "James E. Rogan", written over a horizontal line.

JAMES E. ROGAN
Director of the United States Patent and Trademark Office