



US00D434934S

United States Patent [19]
Solowiej

[11] **Patent Number: Des. 434,934**

[45] **Date of Patent: ** Dec. 12, 2000**

[54] **TOWEL RING**

D. 409,030 5/1999 Sweetman D6/546
2,576,873 11/1951 Zelov 248/309.1 X
4,637,582 1/1987 Boda 248/309.1 X

[75] Inventor: **Leszek Solowiej**, Montville, N.J.

[73] Assignee: **Melard Manufacturing Corp.**, Passaic, N.J.

Primary Examiner—Brian N. Vinson
Attorney, Agent, or Firm—Edgar A. Zarins; Lloyd D. Doigan

[**] Term: **14 Years**

[57] **CLAIM**

[21] Appl. No.: **29/117,365**

The ornamental design for a towel ring, as shown and described.

[22] Filed: **Jan. 21, 2000**

[51] **LOC (7) Cl.** **06-04**

[52] **U.S. Cl.** **D6/546**

[58] **Field of Search** D6/546, 550; 211/13.1,
211/85.3, 86, 87, 95, 96, 123, 181.1; 248/205.1,
302, 309.1, 315

DESCRIPTION

FIG. 1 is a perspective view of a towel ring showing my design;

FIG. 2 is a front elevational view thereof;

FIG. 3 is a right side view thereof;

FIG. 4 is a left side view thereof;

FIG. 5 is a bottom plan view thereof;

FIG. 6 is a top plan view thereof; and,

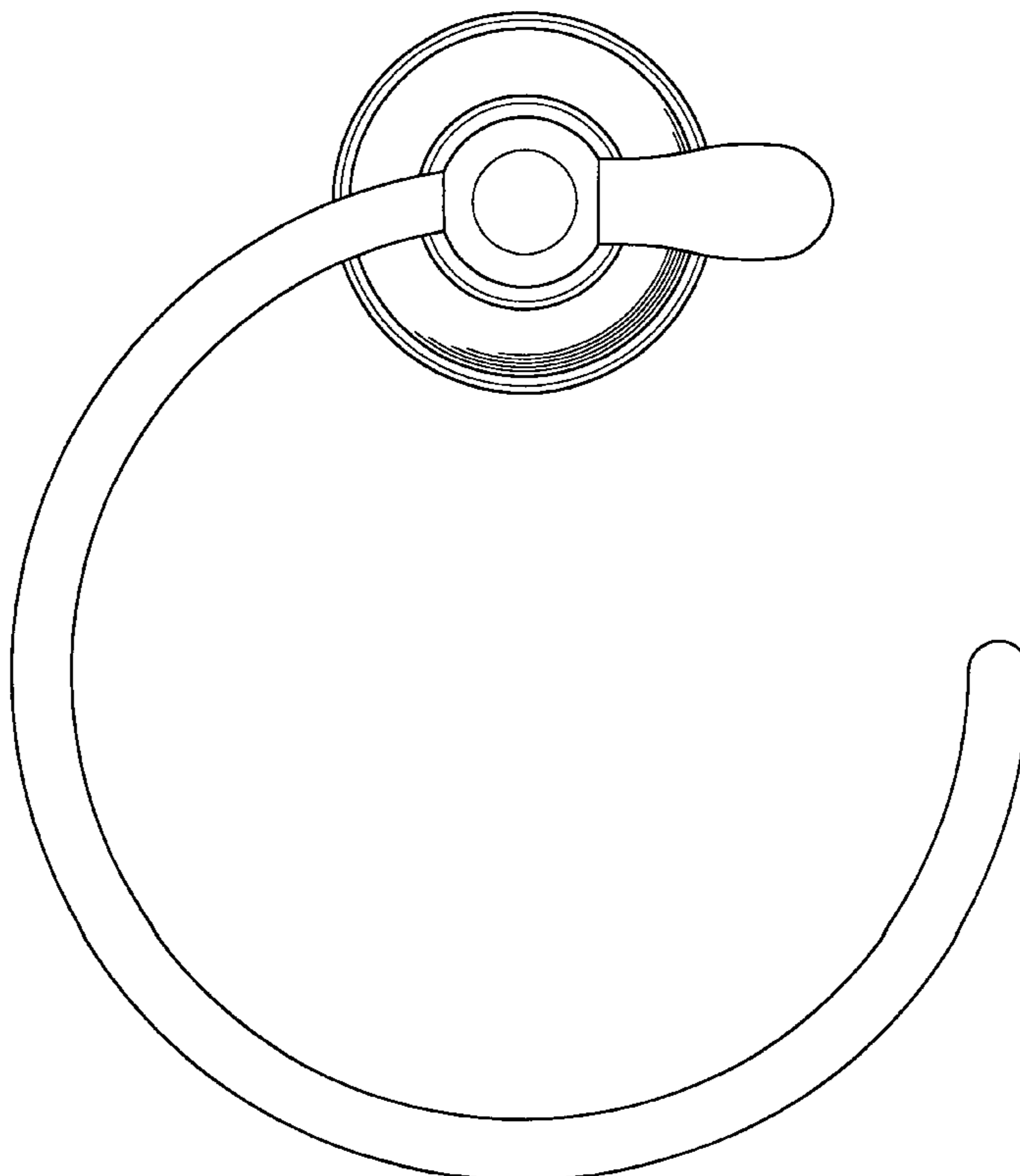
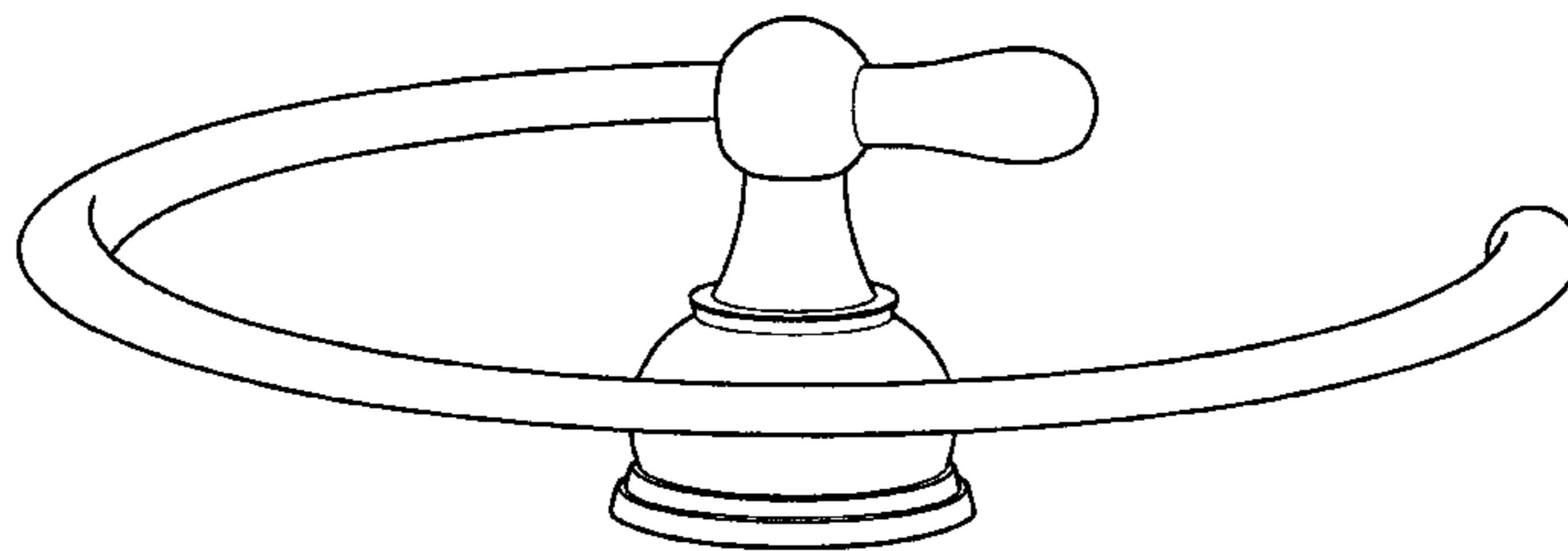
FIG. 7 is a rear elevational view thereof.

[56] **References Cited**

U.S. PATENT DOCUMENTS

D. 254,460 3/1980 Tegner D6/546
D. 293,184 12/1987 Chap D6/546
D. 362,775 10/1995 Moon D6/546

1 Claim, 4 Drawing Sheets



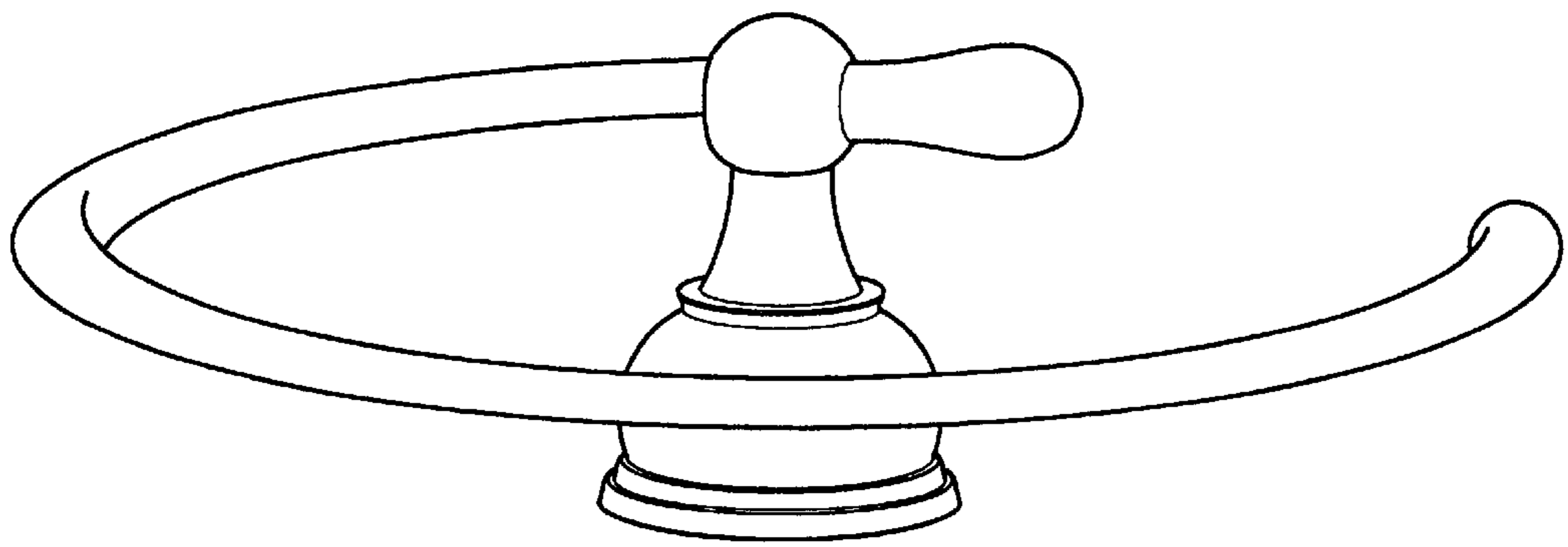


Figure - 1

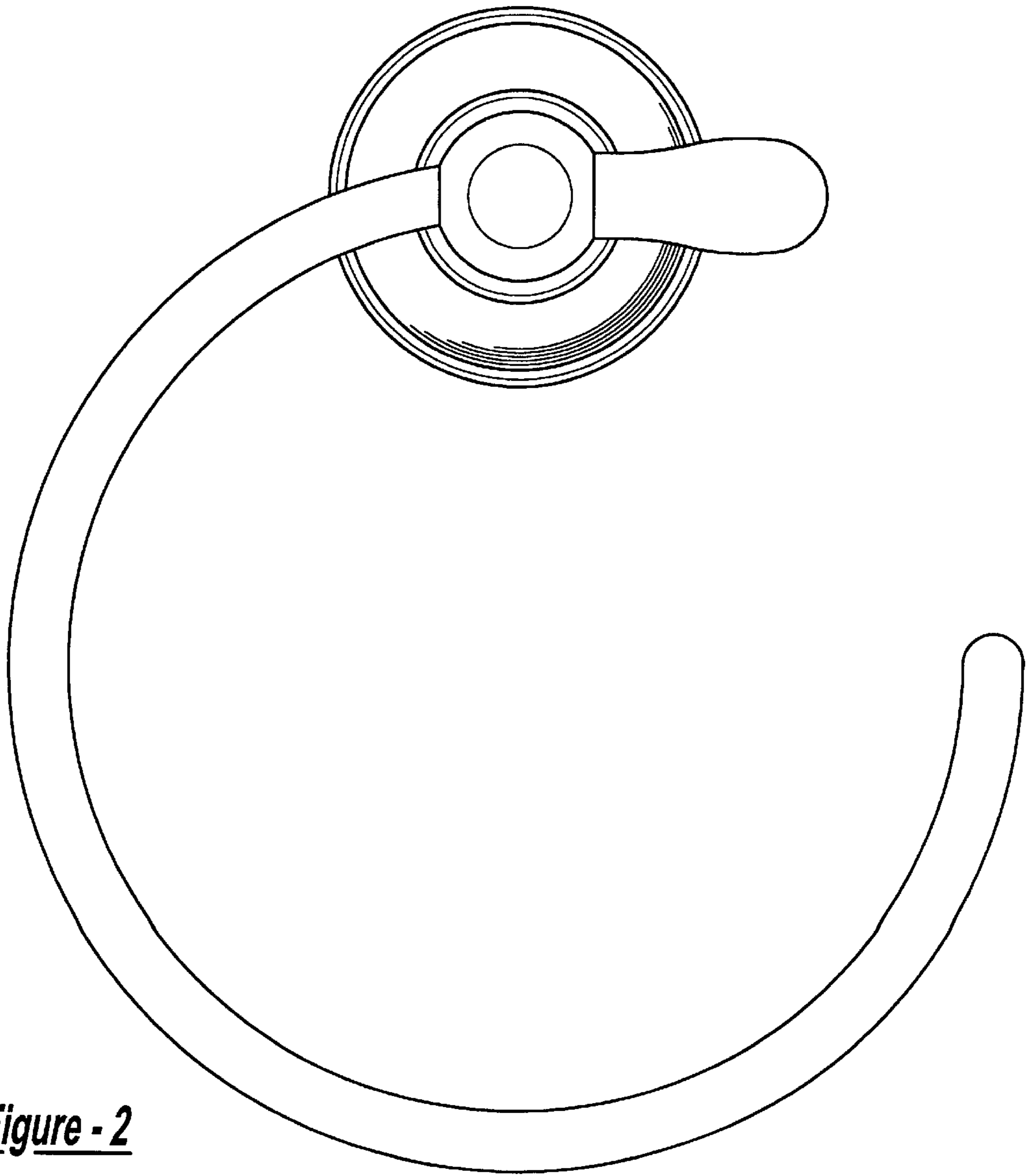


Figure - 2

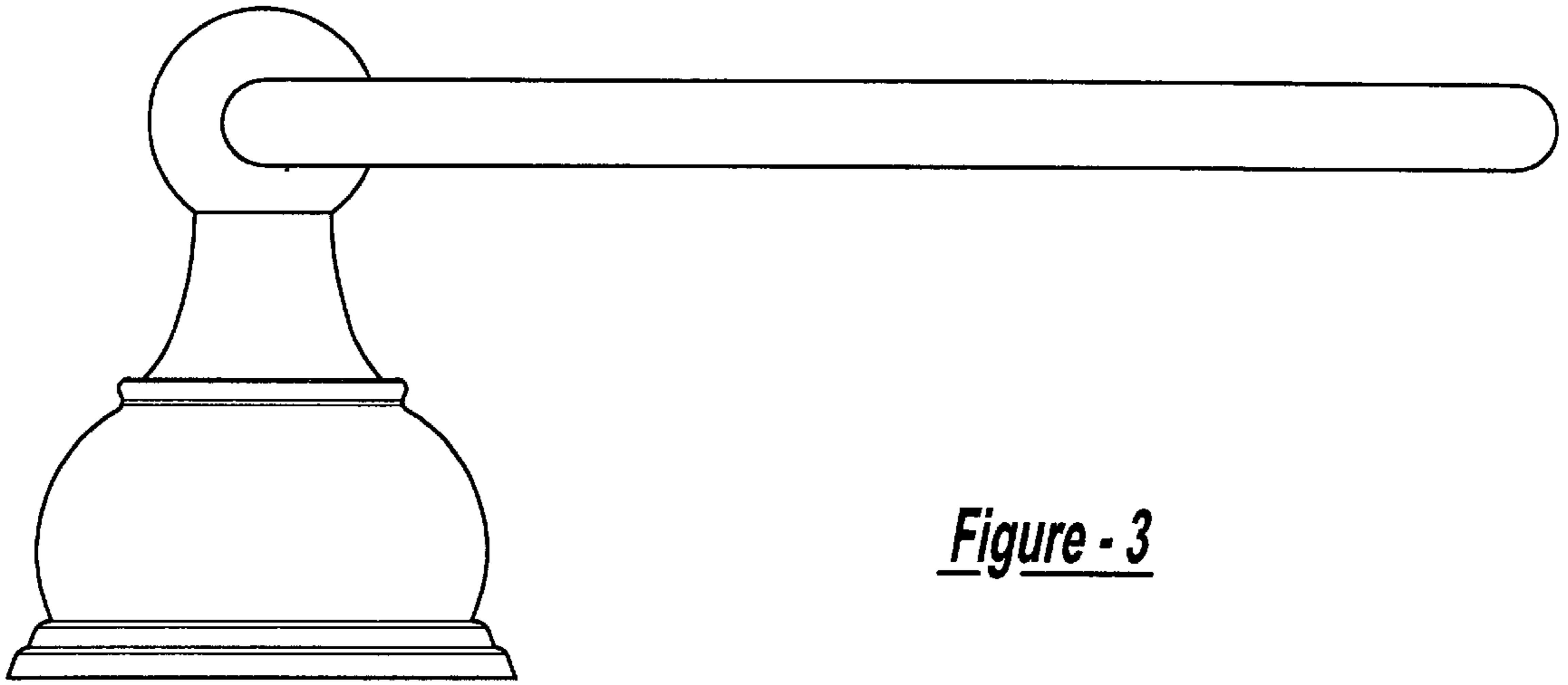


Figure - 3

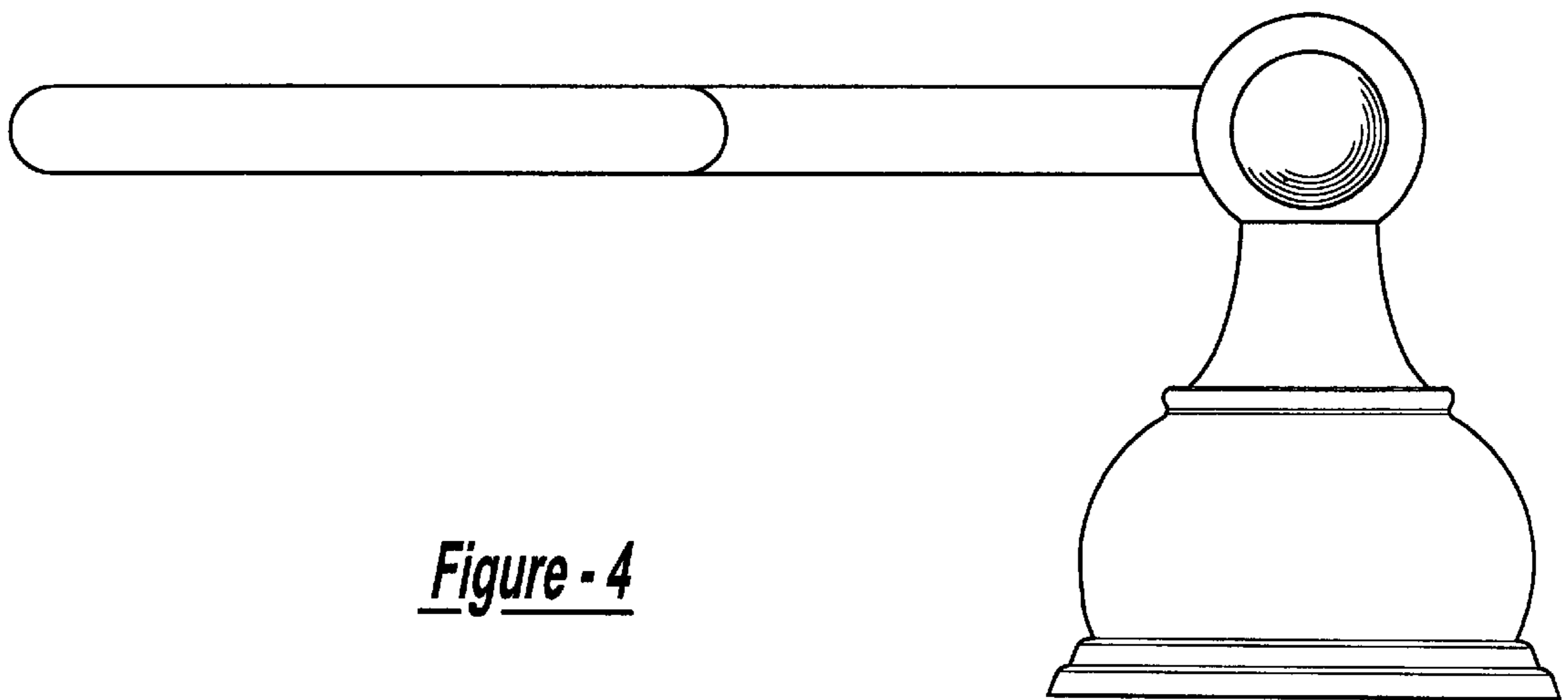


Figure - 4

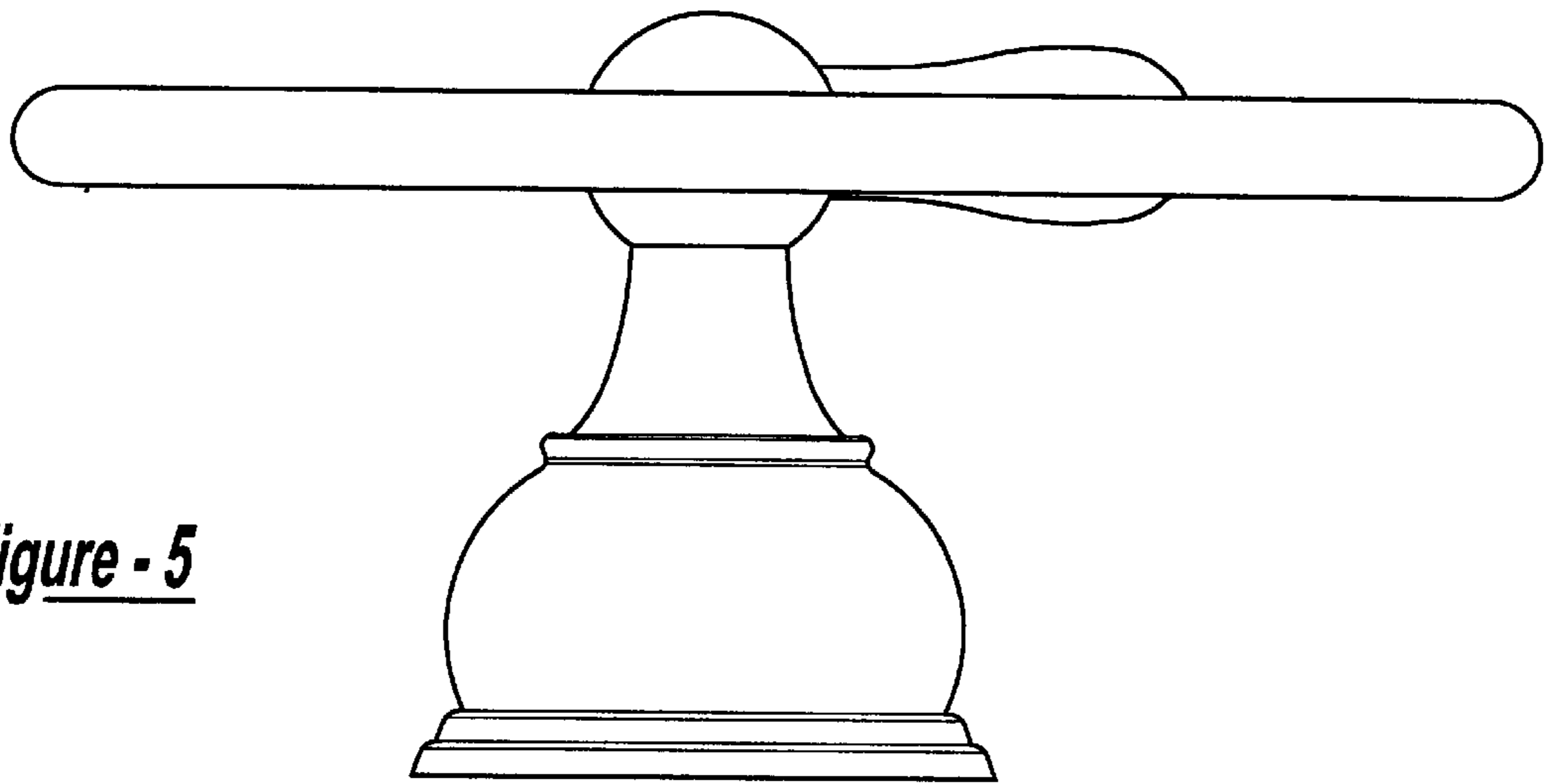


Figure - 5

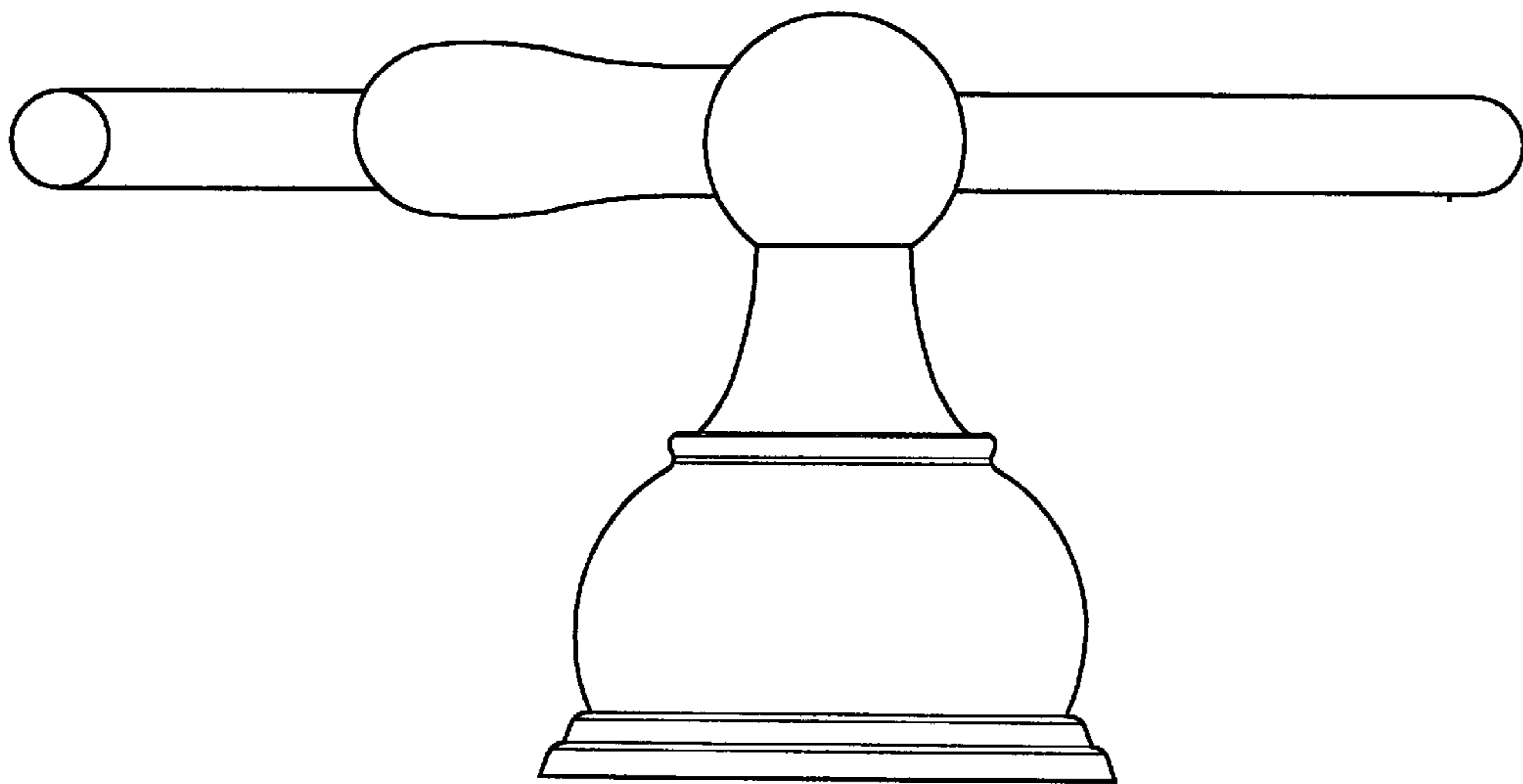


Figure - 6

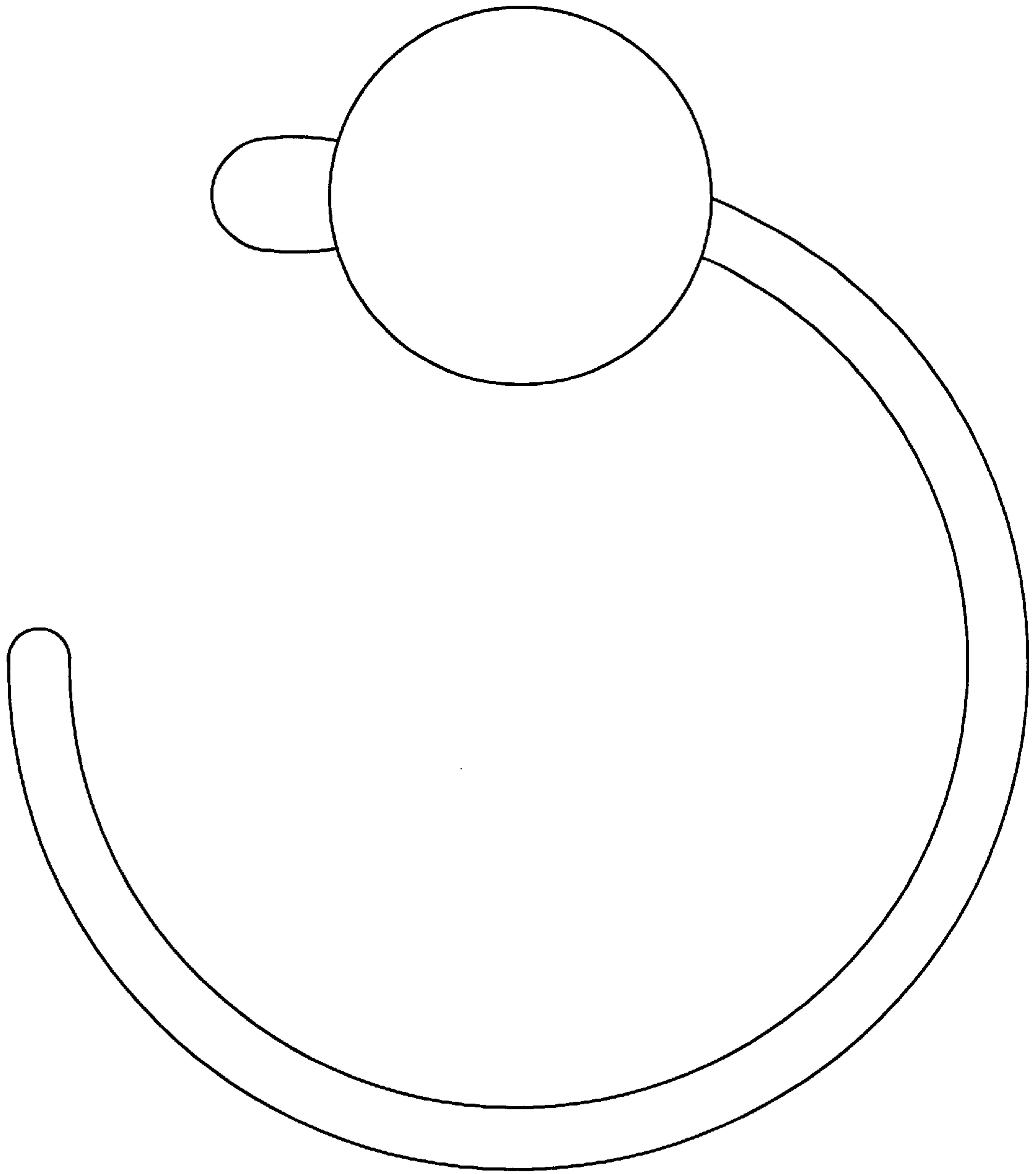


Figure - 7