



US00D434920S

United States Patent [19]

Rehmert et al.

[11] Patent Number: **Des. 434,920**

[45] Date of Patent: **** Dec. 12, 2000**

[54] **CHAIR**

[76] Inventors: **Rory S. Rehmert; Timothy M. Le Roy; D. Mike Howell; Jackie Hogan; James Kemp**, all of P.O. Box 1357, Birmingham, Ala. 35201

[**] Term: **14 Years**

[21] Appl. No.: **29/104,032**

[22] Filed: **Apr. 27, 1999**

[51] **LOC (7) Cl.** **06-01**

[52] **U.S. Cl.** **D6/376; D6/344**

[58] **Field of Search** D6/334, 335, 344, D6/369, 374, 375, 376, 379, 500, 501, 502; 297/260.1, 265.1, 445.1

[56] **References Cited**

U.S. PATENT DOCUMENTS

D. 207,778 5/1967 Rogers D6/376

D. 272,020 1/1984 Baty D6/344
D. 335,586 5/1993 Hess D6/376
D. 335,971 6/1993 Hess D6/379
D. 385,711 11/1997 Alchin D6/376

Primary Examiner—Gary D. Watson

[57] **CLAIM**

The ornamental design for a chair, as shown and described.

DESCRIPTION

FIG. 1 is an isometric view.

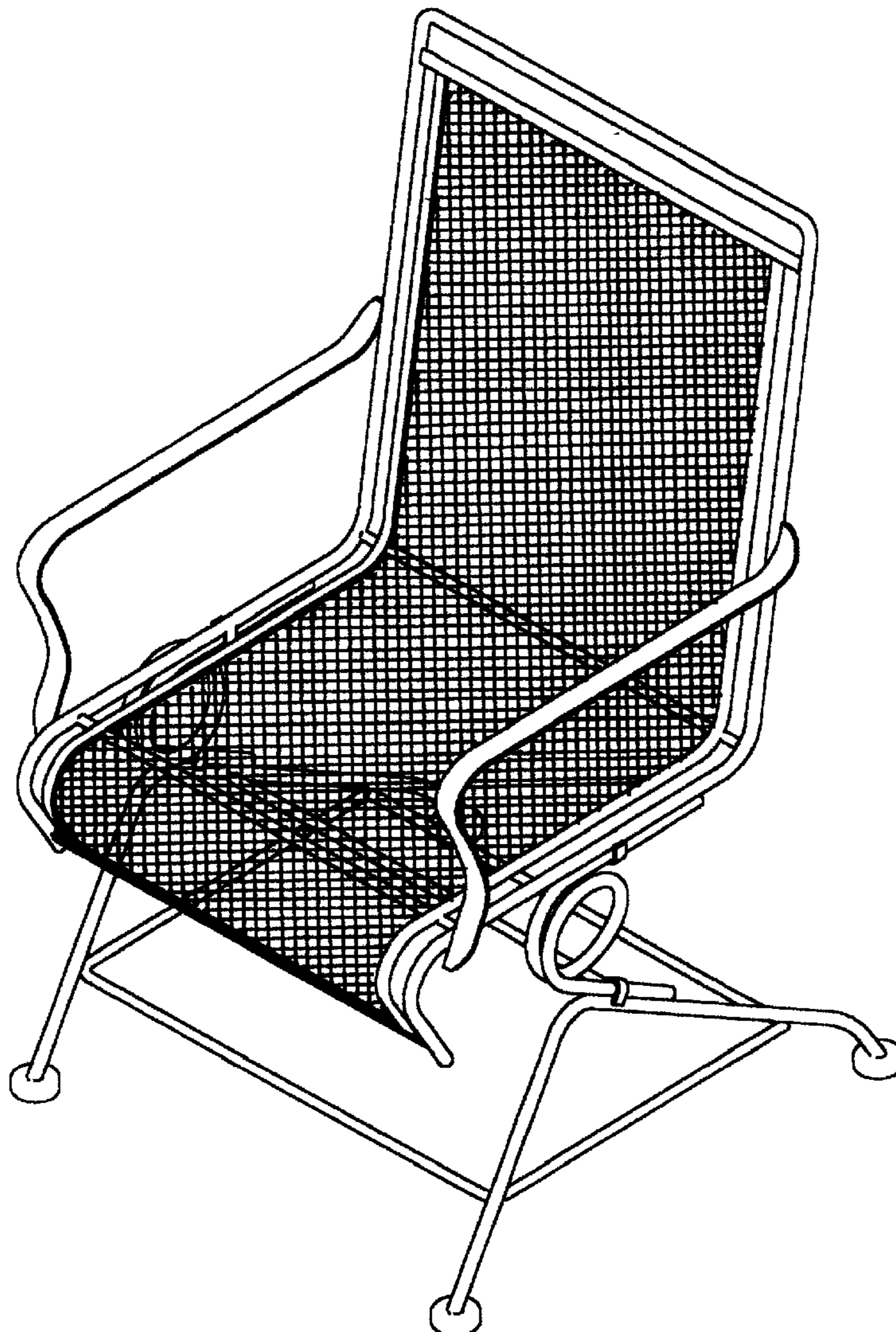
FIG. 2 is a front view thereof;

FIG. 3 is a side view with the opposite side being a mirror image thereof; and,

FIG. 4 is a top view thereof.

The rear view of the chair has not been shown and forms no part of the claimed design.

1 Claim, 4 Drawing Sheets



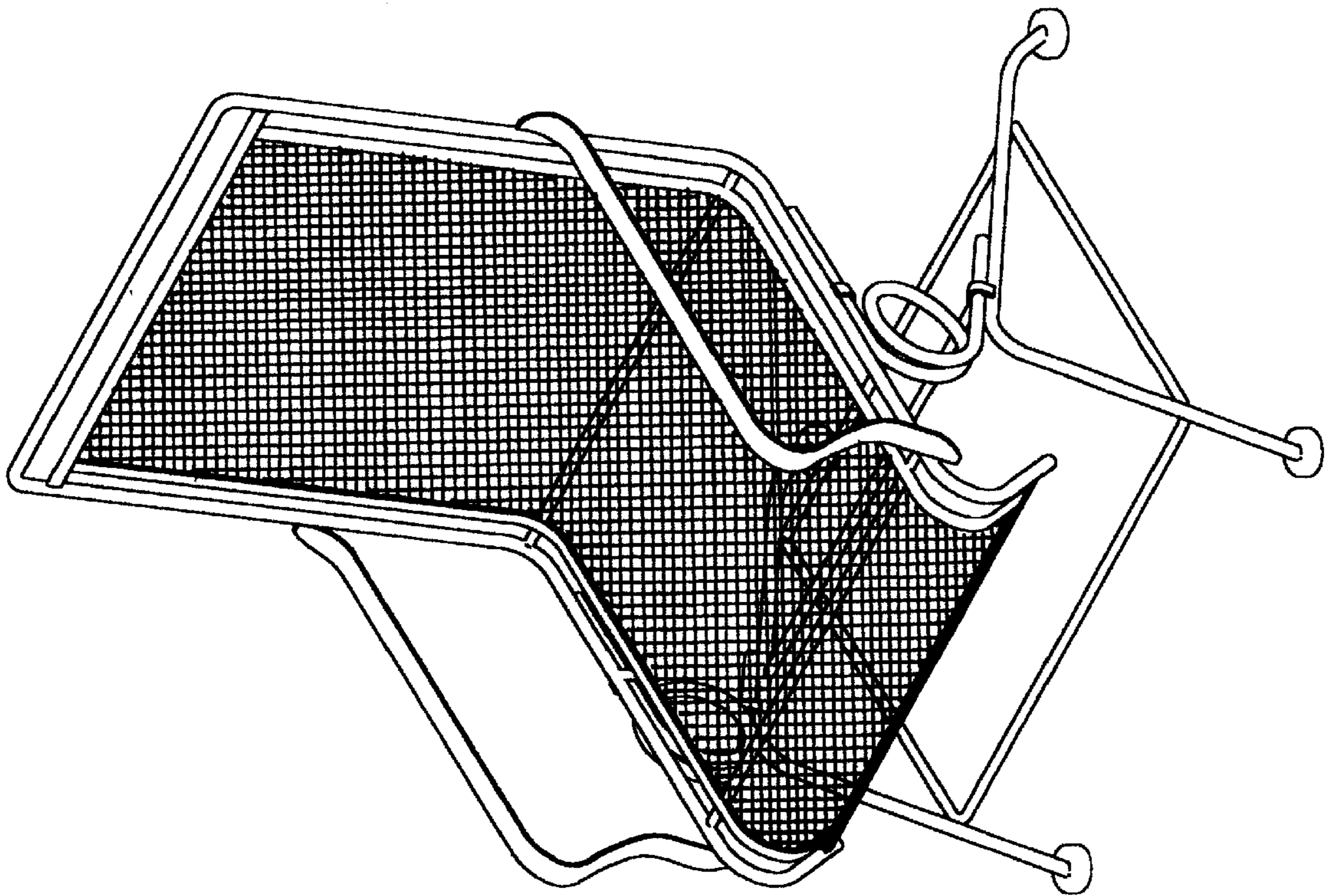


Figure 1

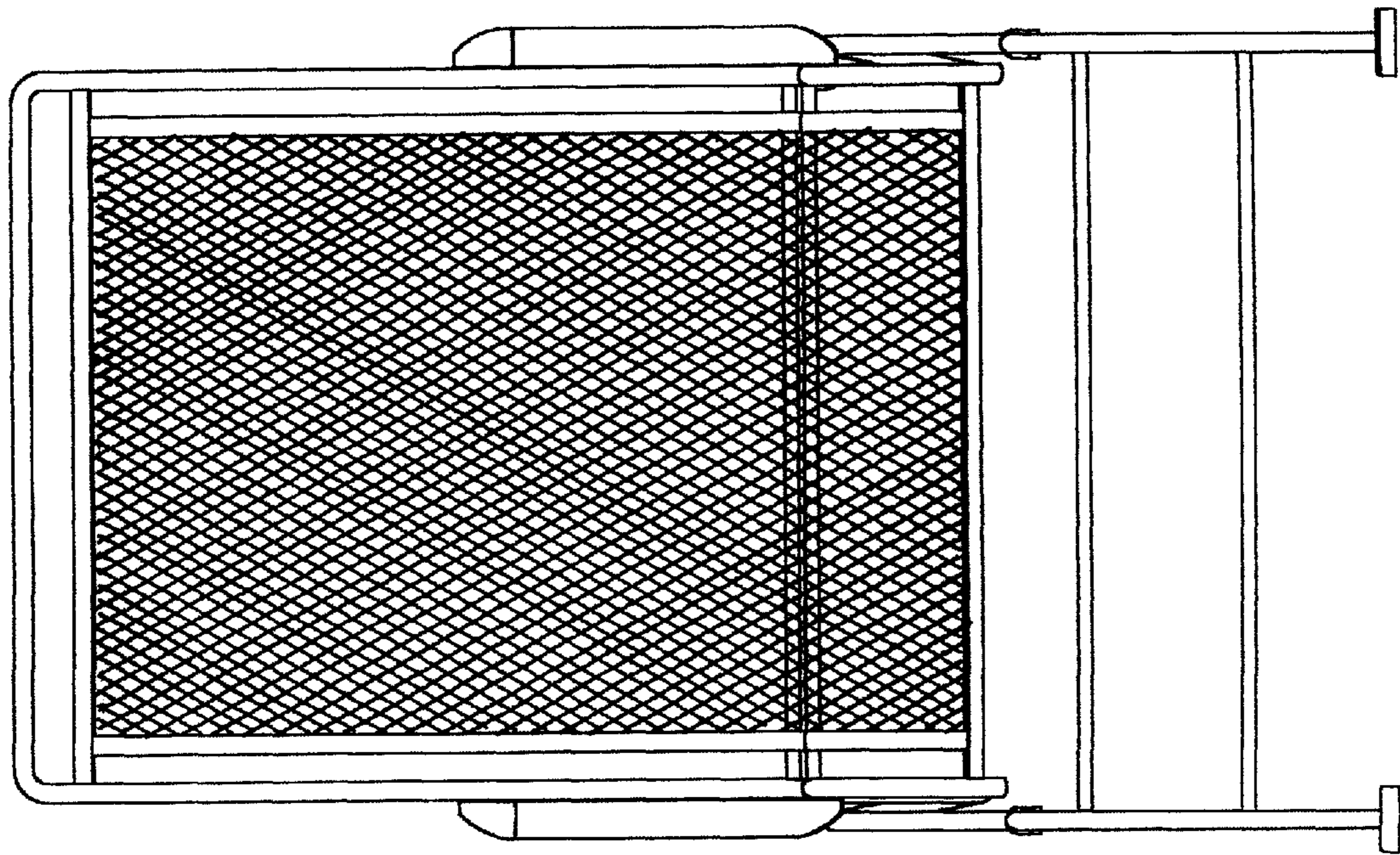


Figure 2

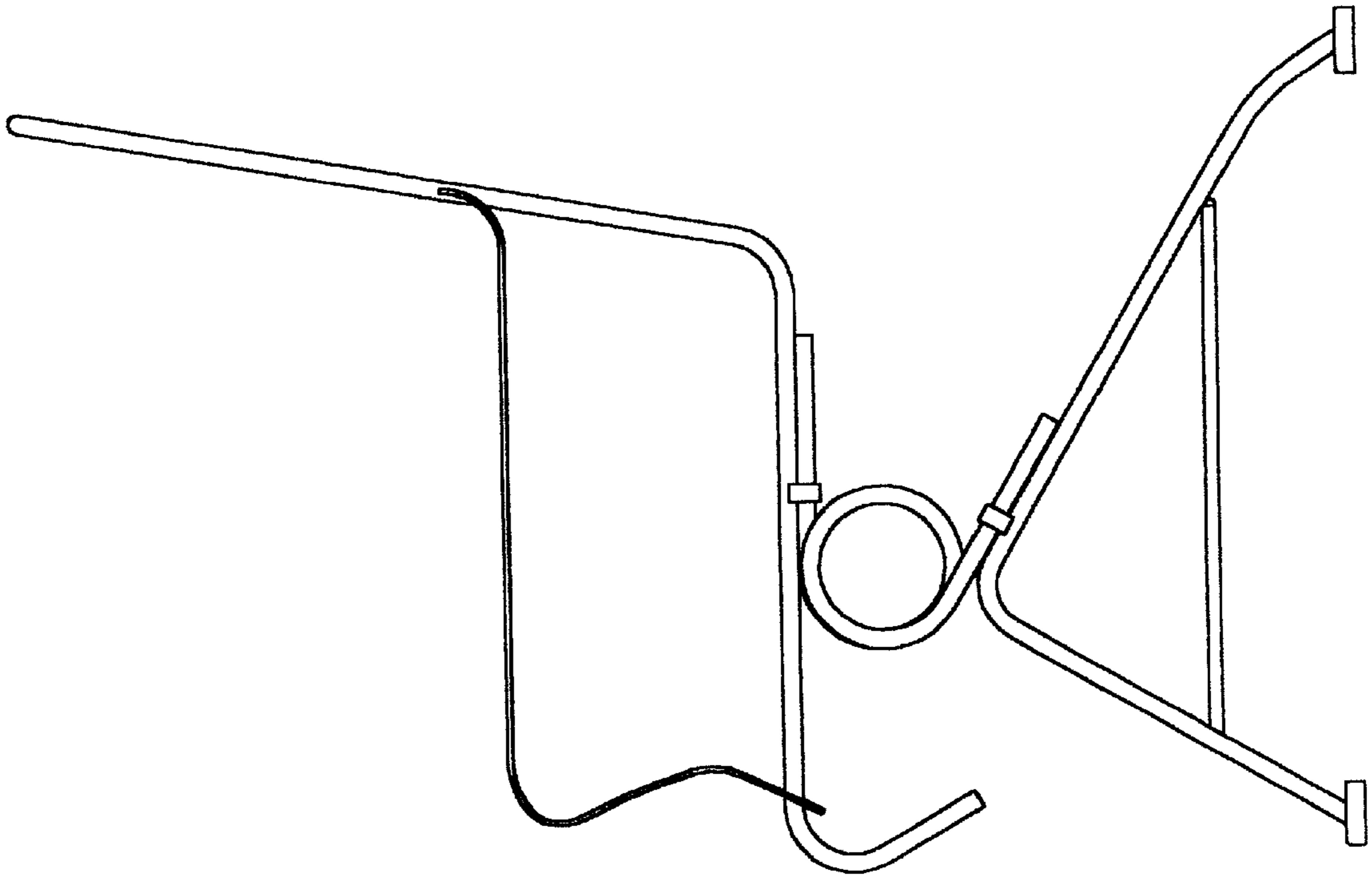


Figure 3

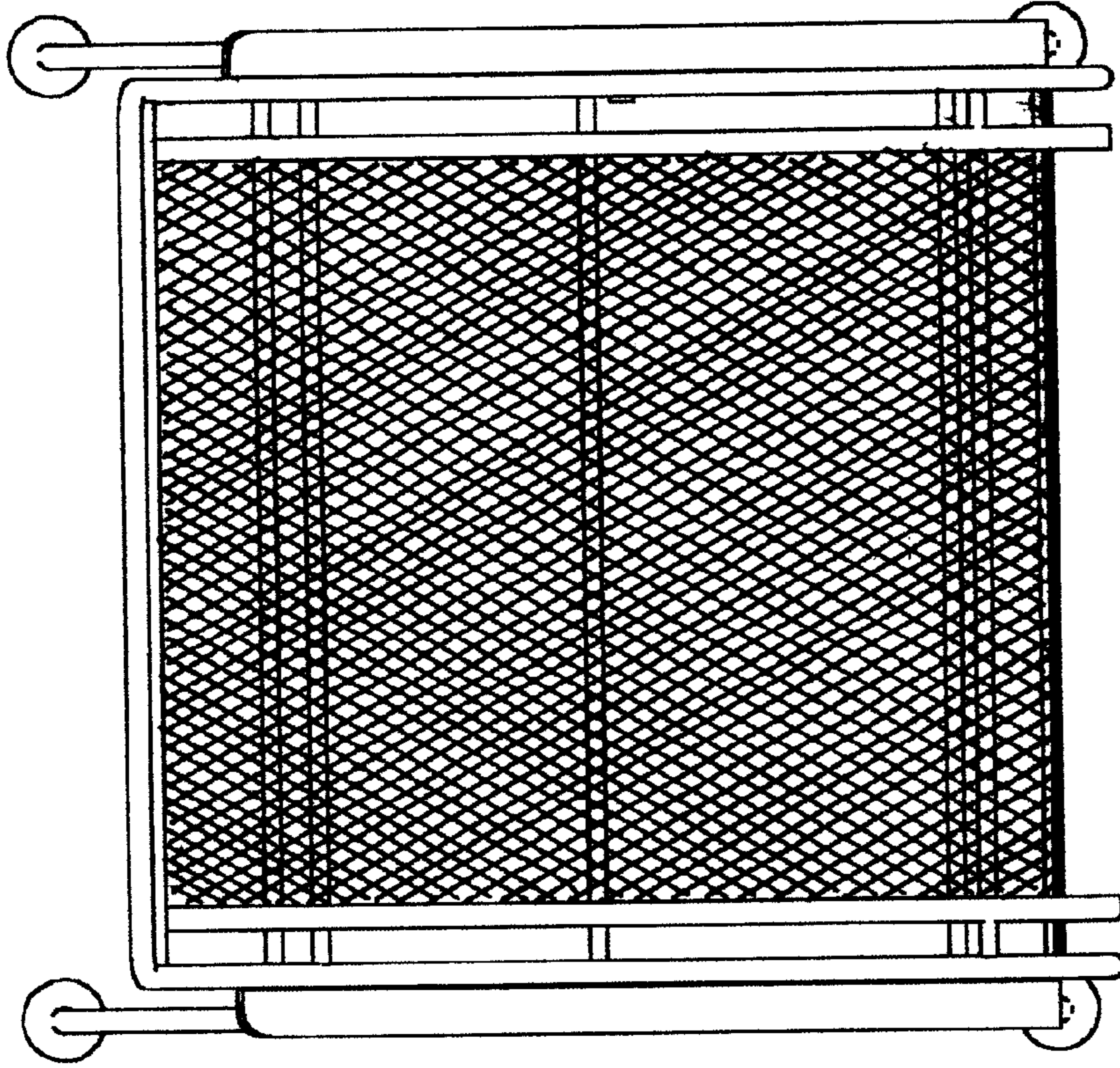


Figure 4