



US00D434917S

# United States Patent [19] Yang

[11] **Patent Number: Des. 434,917**

[45] **Date of Patent: \*\* Dec. 12, 2000**

[54] **CHAIR**

D. 356,217 3/1995 Galati, Jr. et al. .... D6/358  
5,067,771 11/1991 Elilis ..... D6/358

[76] Inventor: **James Yang**, 18F-2, No.2, Lane 175,  
Sec.3, Shiou-Lang Rd., Chung-Ho City,  
Taipei Hsien 235, Taiwan

### OTHER PUBLICATIONS

Two hand, p. 49, Domus catalog, 1970.

[\*\*] Term: **14 Years**

*Primary Examiner*—Doris V. Coles

*Assistant Examiner*—Mimosa De

[21] Appl. No.: **29/106,457**

[22] Filed: **Jun. 17, 1999**

### [57] CLAIM

The ornamental design for a chair, as shown and described.

[51] **LOC (7) Cl.** ..... **06-01**

[52] **U.S. Cl.** ..... **D6/358**

[58] **Field of Search** ..... D6/334, 335, 336,  
D6/351, 358, 359, 369, 370, 374, 379,  
500, 501, 502; 297/181

### DESCRIPTION

FIG. 1 is a perspective view thereof;

FIG. 2 is a front view thereof;

FIG. 3 is a back view thereof;

FIG. 4 is a right side view thereof;

FIG. 5 is a left side view thereof;

FIG. 6 is a top view thereof; and,

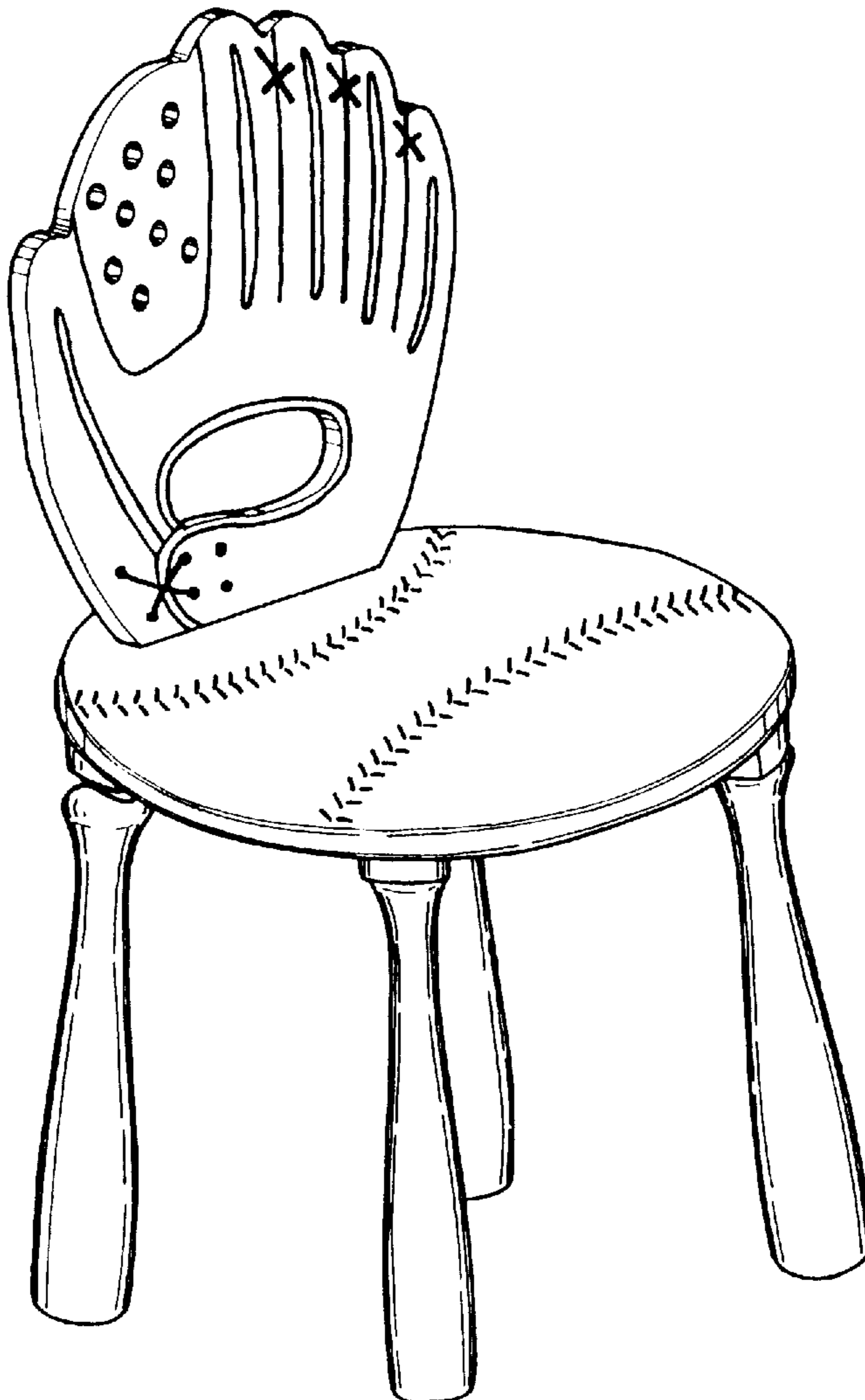
FIG. 7 is a bottom view thereof.

### [56] References Cited

#### U.S. PATENT DOCUMENTS

D. 274,347 6/1984 Buddle ..... D6/351  
D. 295,923 5/1988 Williamson ..... D6/358  
D. 309,681 8/1990 Solomon et al. .... D6/351

**1 Claim, 4 Drawing Sheets**



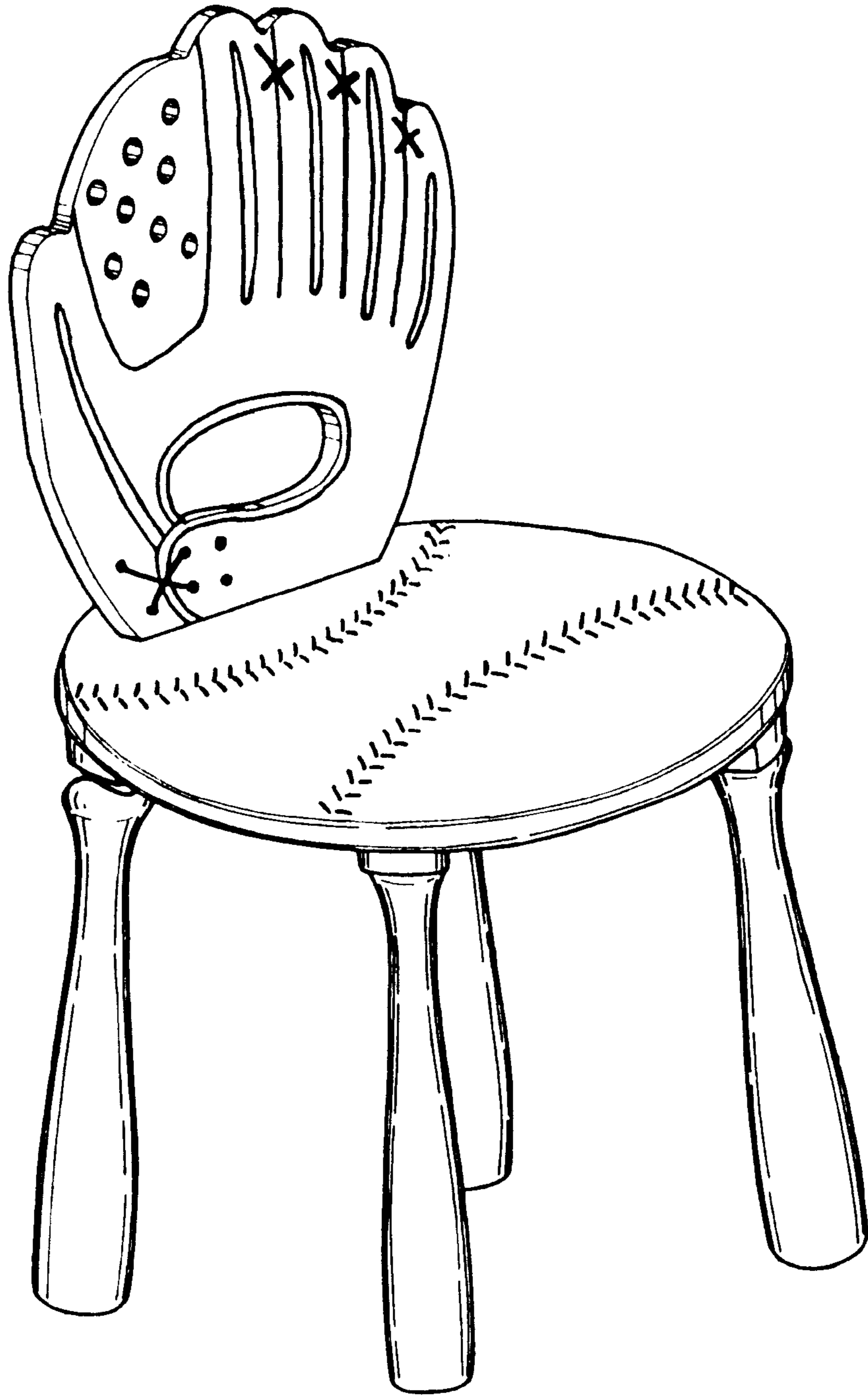


FIG. 1

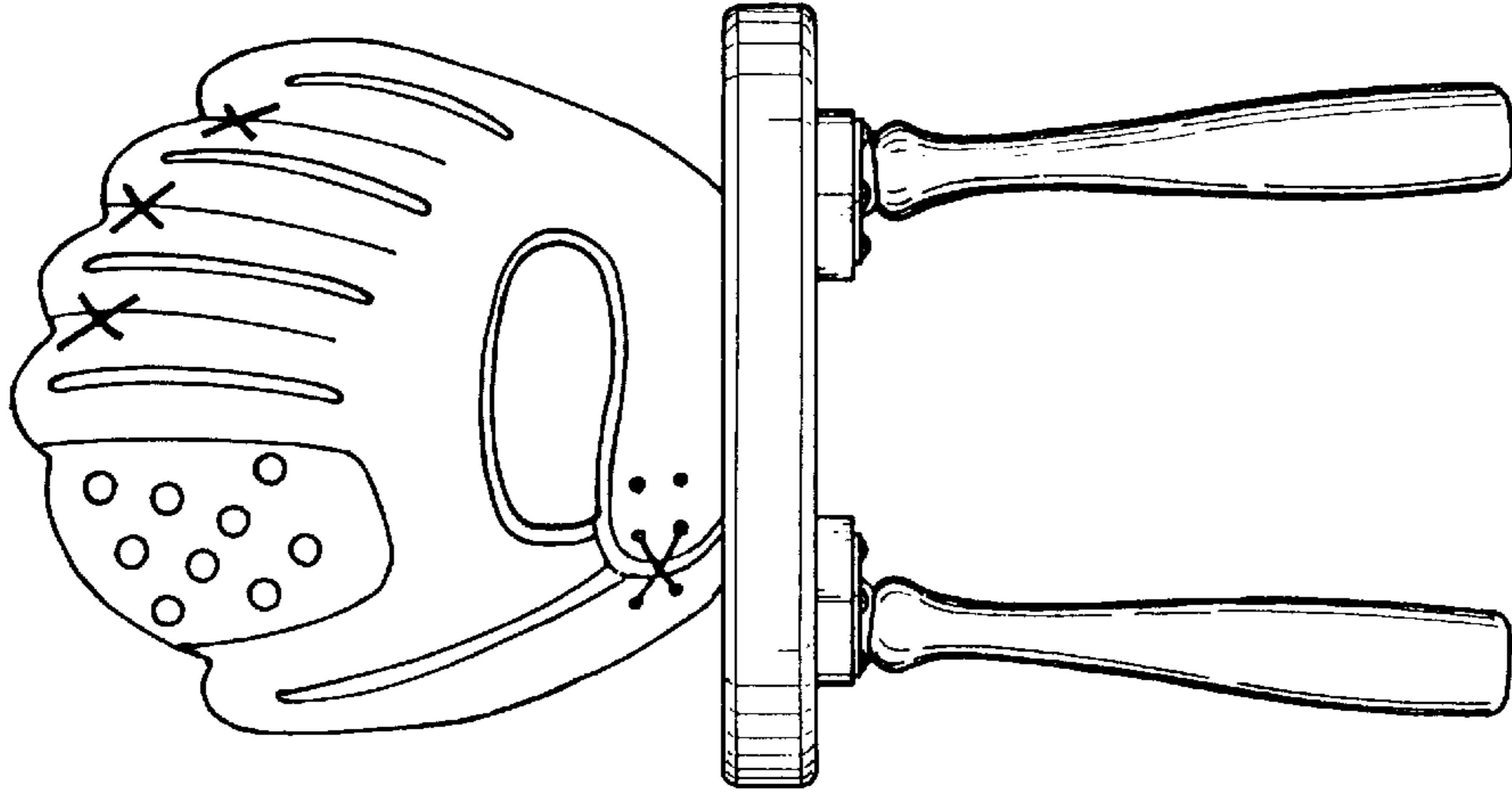


FIG. 2

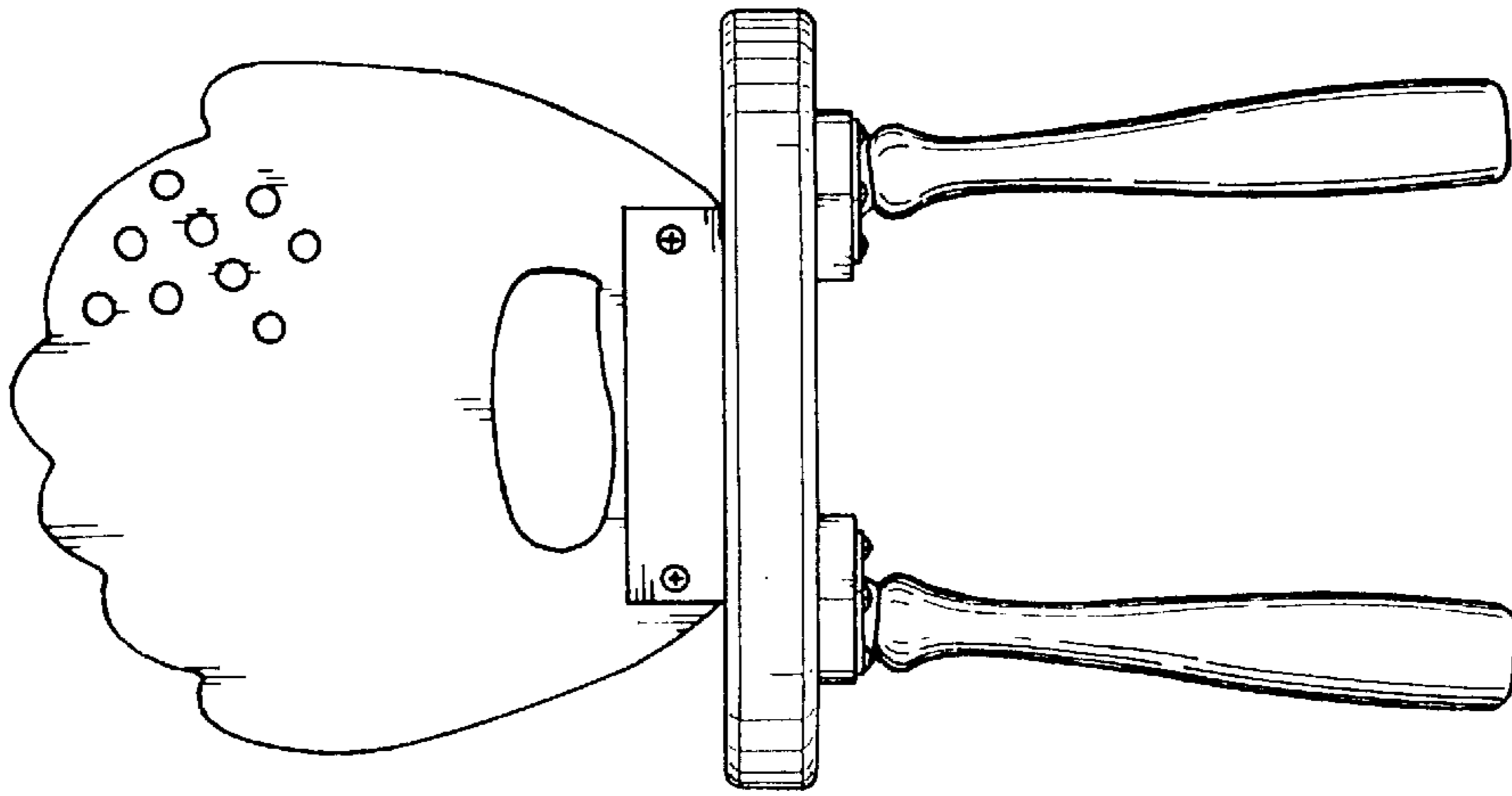


FIG. 3

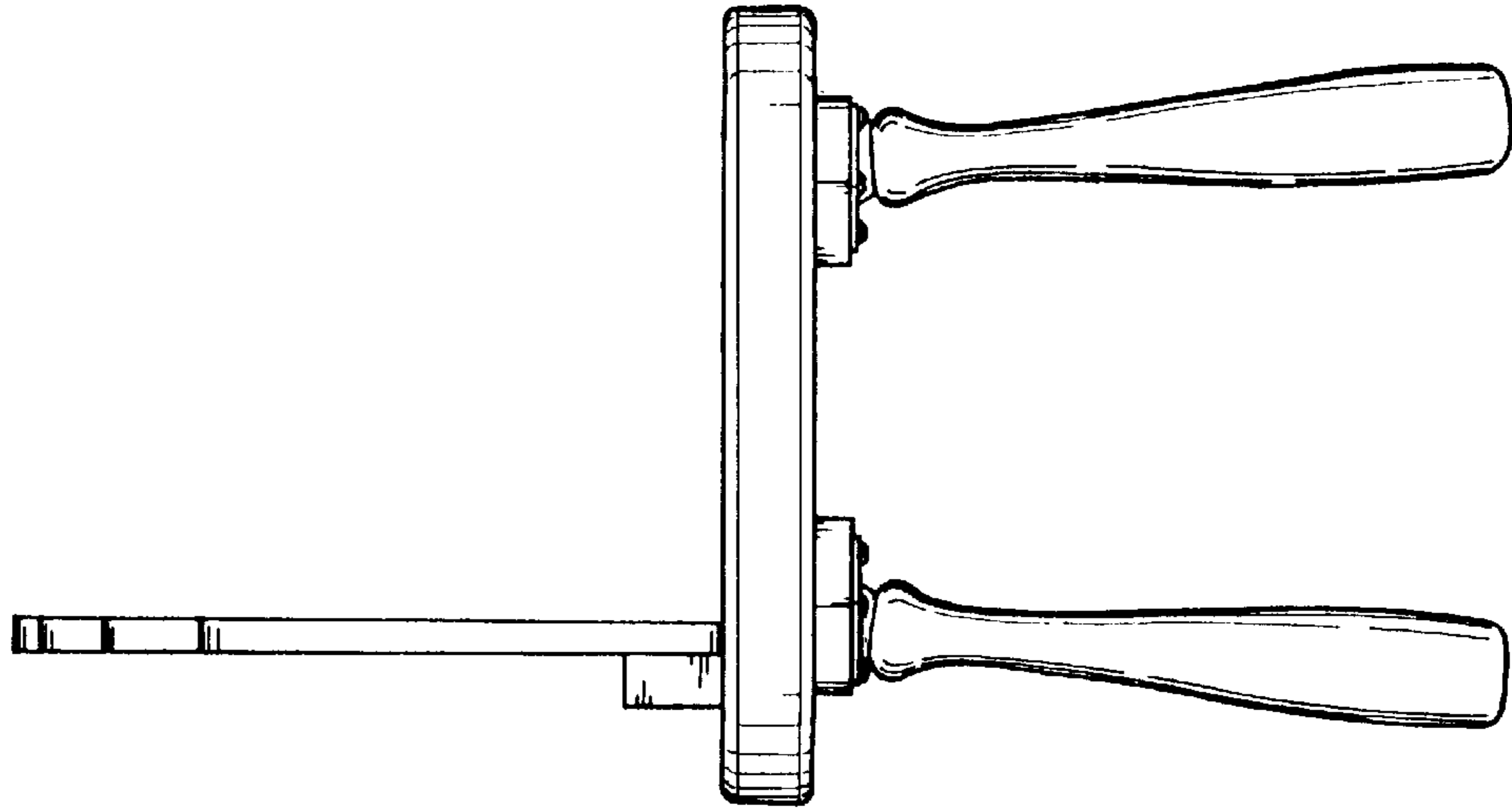


FIG. 4

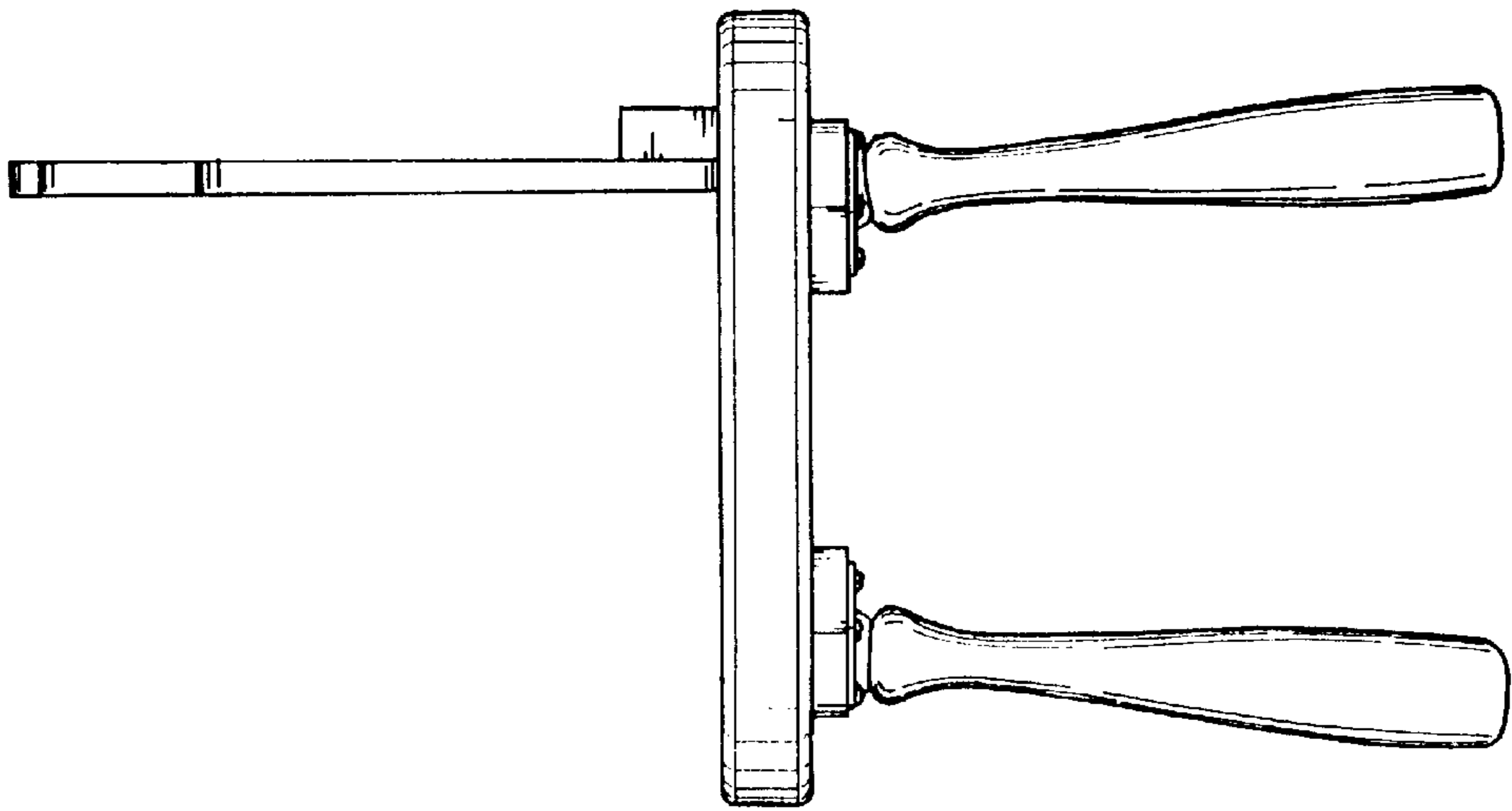


FIG. 5

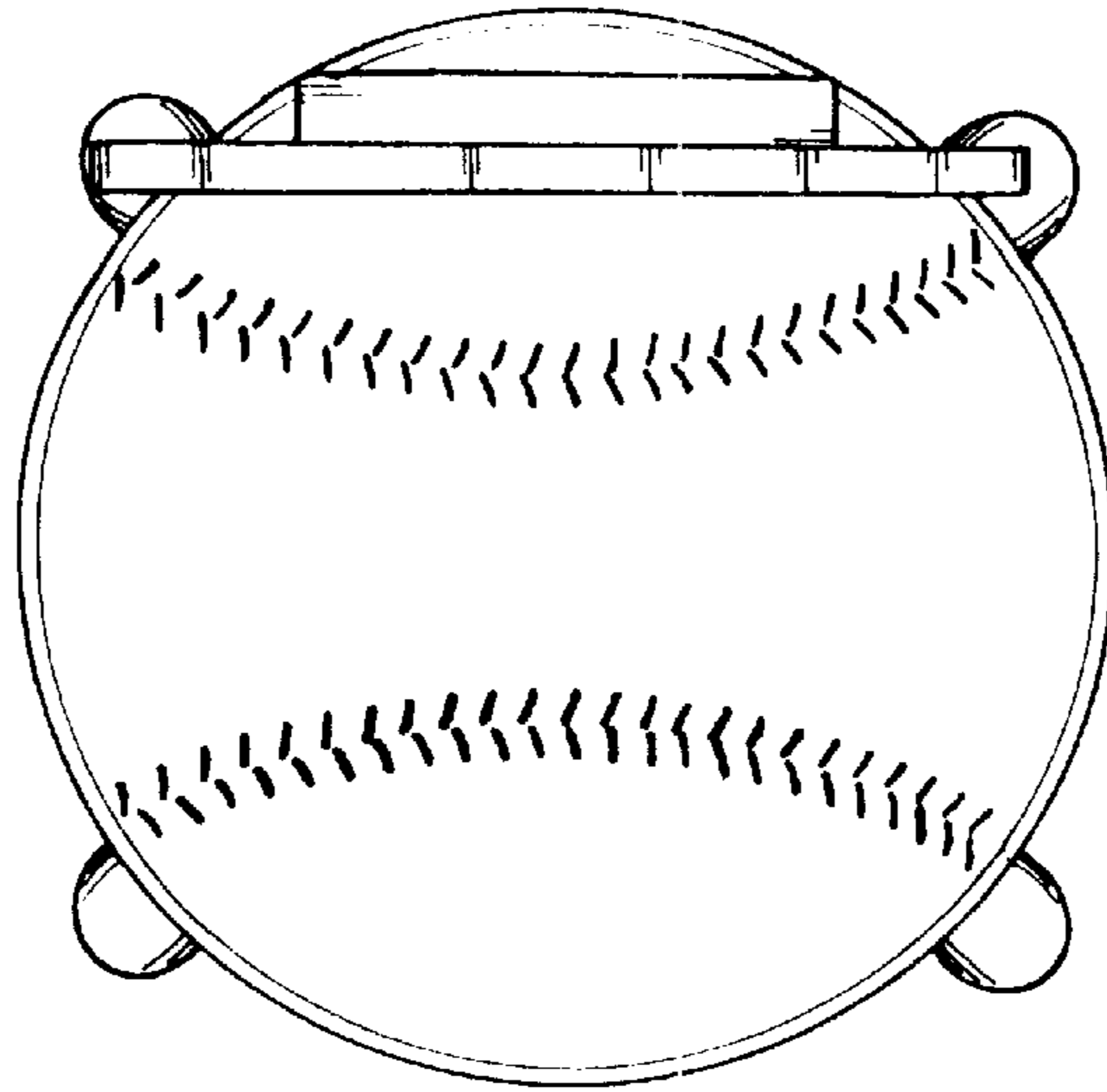


FIG. 6

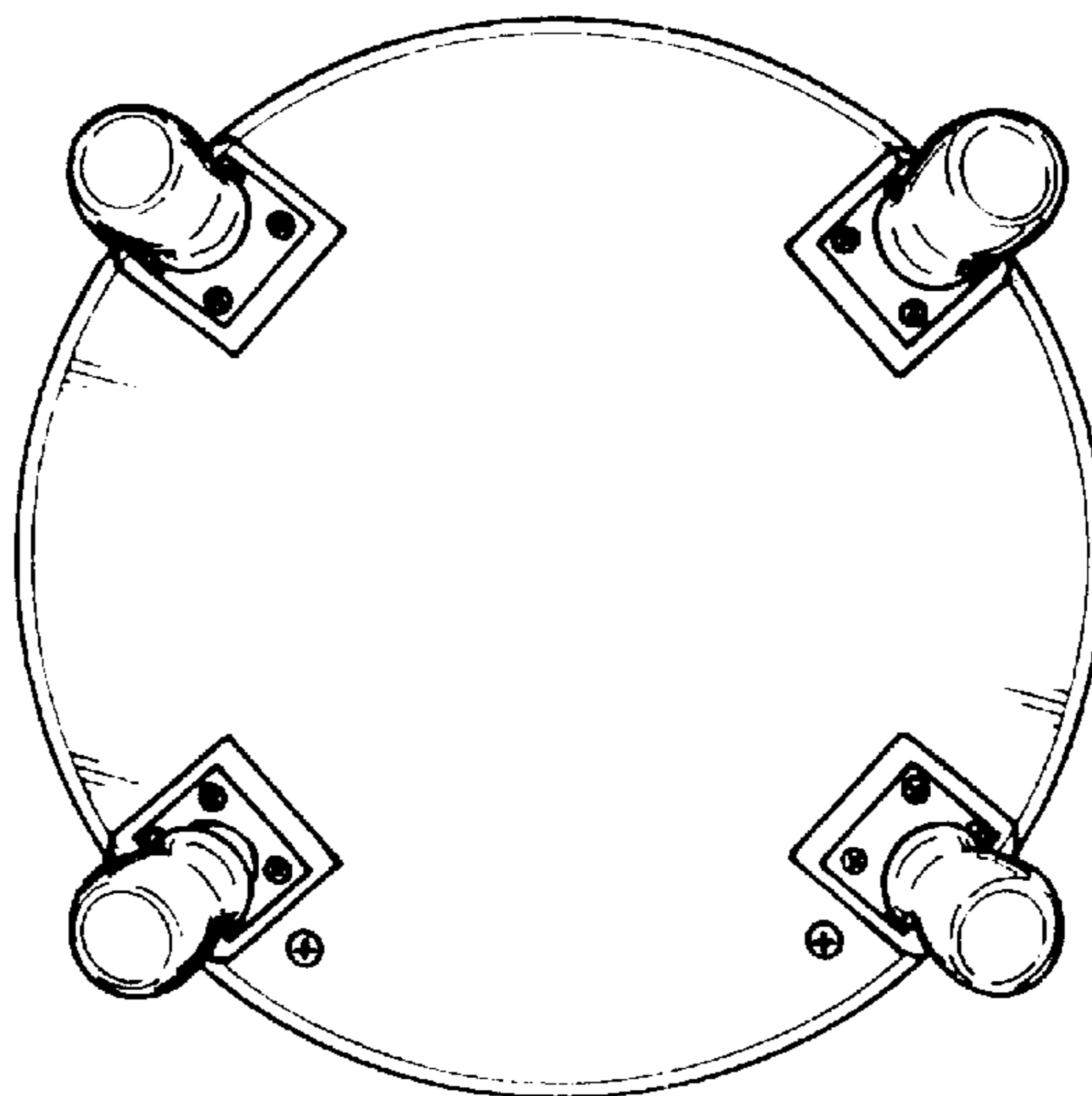


FIG. 7