



US00D434916S

# United States Patent [19]

Galati, Jr. et al.

[11] Patent Number: **Des. 434,916**

[45] Date of Patent: **\*\* Dec. 12, 2000**

[54] SALON CHAIR

[75] Inventors: **Joseph J. Galati, Jr.**, Brookfield; **John Meyerovich**, Fox Point; **Lev Yakubovich**, Milwaukee; **Glenn T. Walters**, Port Washington; **Dean R. Holzberger**, Belgium, all of Wis.

[73] Assignee: **European Touch Ltd., II**, Butler, Wis.

[\*\*] Term: **14 Years**

[21] Appl. No.: **29/119,661**

[22] Filed: **Mar. 3, 2000**

### Related U.S. Application Data

[62] Division of application No. 29/076,574, Sep. 10, 1997, Pat. No. Des. 424,819.

[51] **LOC (7) Cl.** ..... **06-01**

[52] **U.S. Cl.** ..... **D6/336**

[58] **Field of Search** ..... D6/333, 334, 335, D6/336, 360, 361, 367, 500, 501, 502; D7/605; 297/188.01, 188.09, 182, 243.21, 310

### [56] References Cited

#### U.S. PATENT DOCUMENTS

D. 160,368 10/1950 Centerbar ..... D6/361

D. 288,037 2/1987 Orenstein ..... D6/335  
D. 342,165 12/1993 Marshall et al. .... D6/335  
D. 372,843 8/1996 Trent et al. .... D6/336  
5,489,140 2/1996 Van Horn-Plato ..... 297/310

*Primary Examiner*—Doris V. Coles  
*Assistant Examiner*—Mimosa De  
*Attorney, Agent, or Firm*—Greenberg Traurig, LLP

### [57] CLAIM

The ornamental design for a salon chair, as shown and described.

### DESCRIPTION

FIG. 1 is a perspective view of a salon chair showing our new design;  
FIG. 2 is a front elevational view thereof;  
FIG. 3 is rear elevational view thereof;  
FIG. 4 is a side elevational view thereof;  
FIG. 5 is a top plan view thereof; and,  
FIG. 6 is a bottom plan view thereof.

The broken lines showing a portion of a chair are for the purpose of illustrating unclaimed environmental structure only.

**1 Claim, 5 Drawing Sheets**

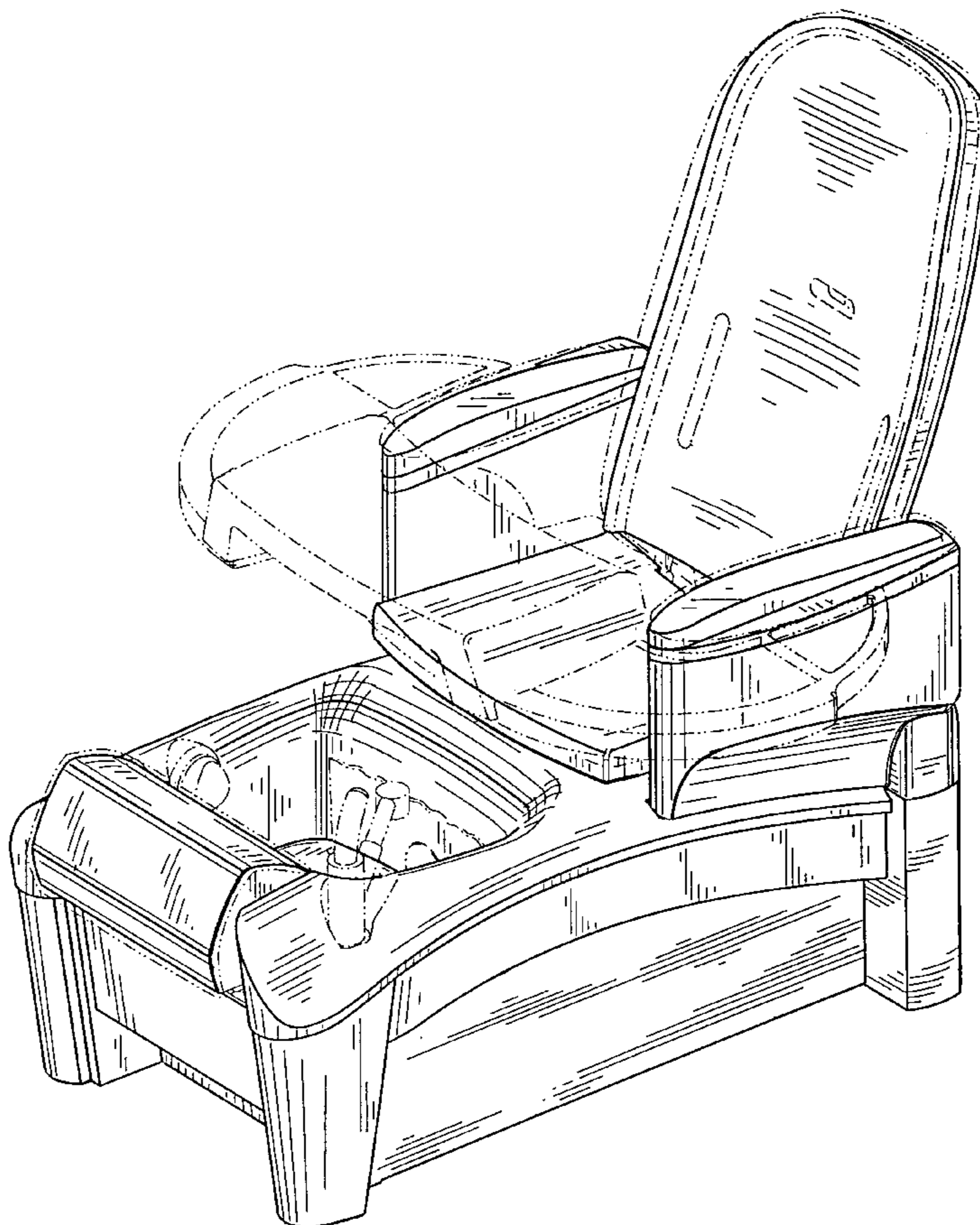


FIG. 1

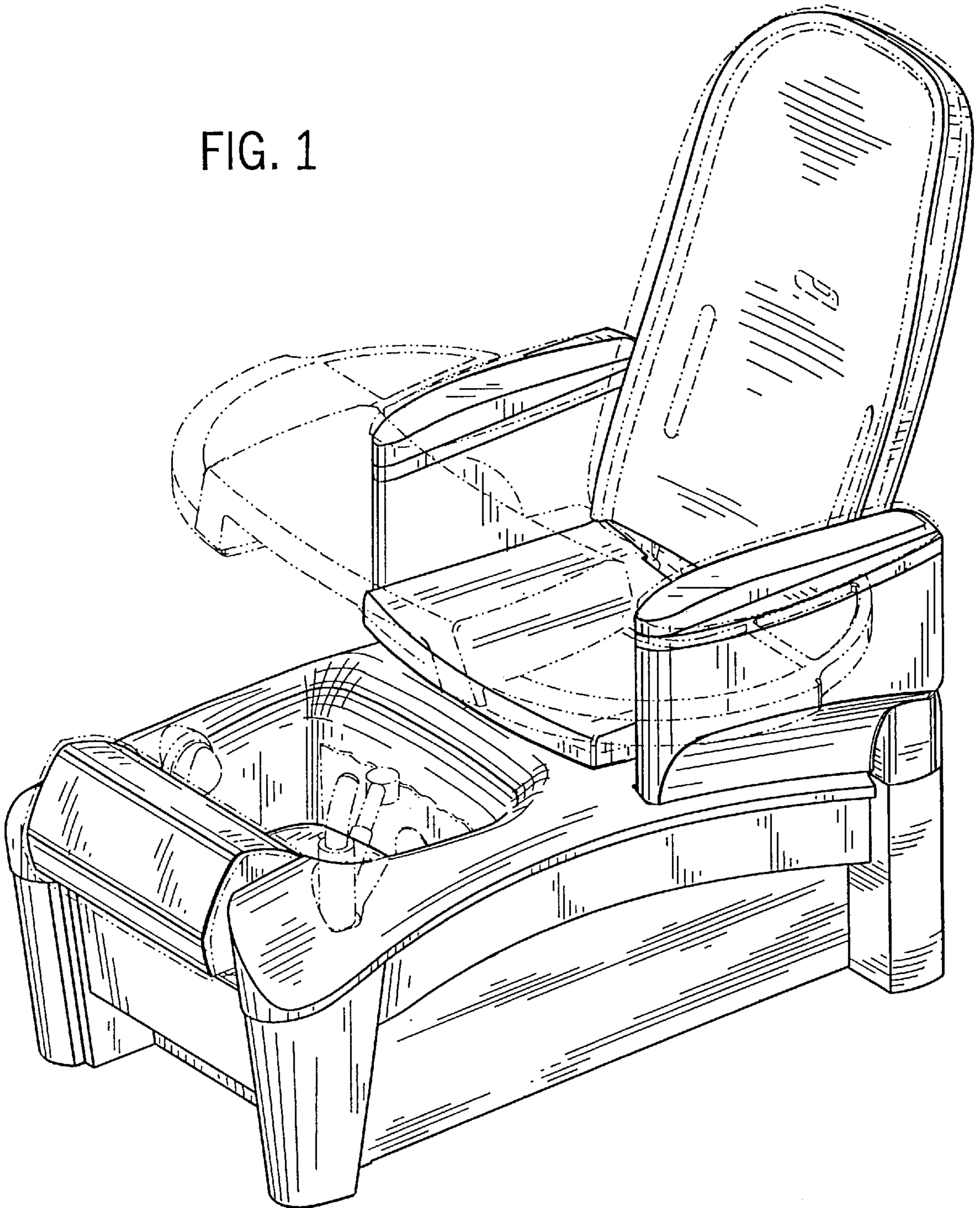


FIG. 2

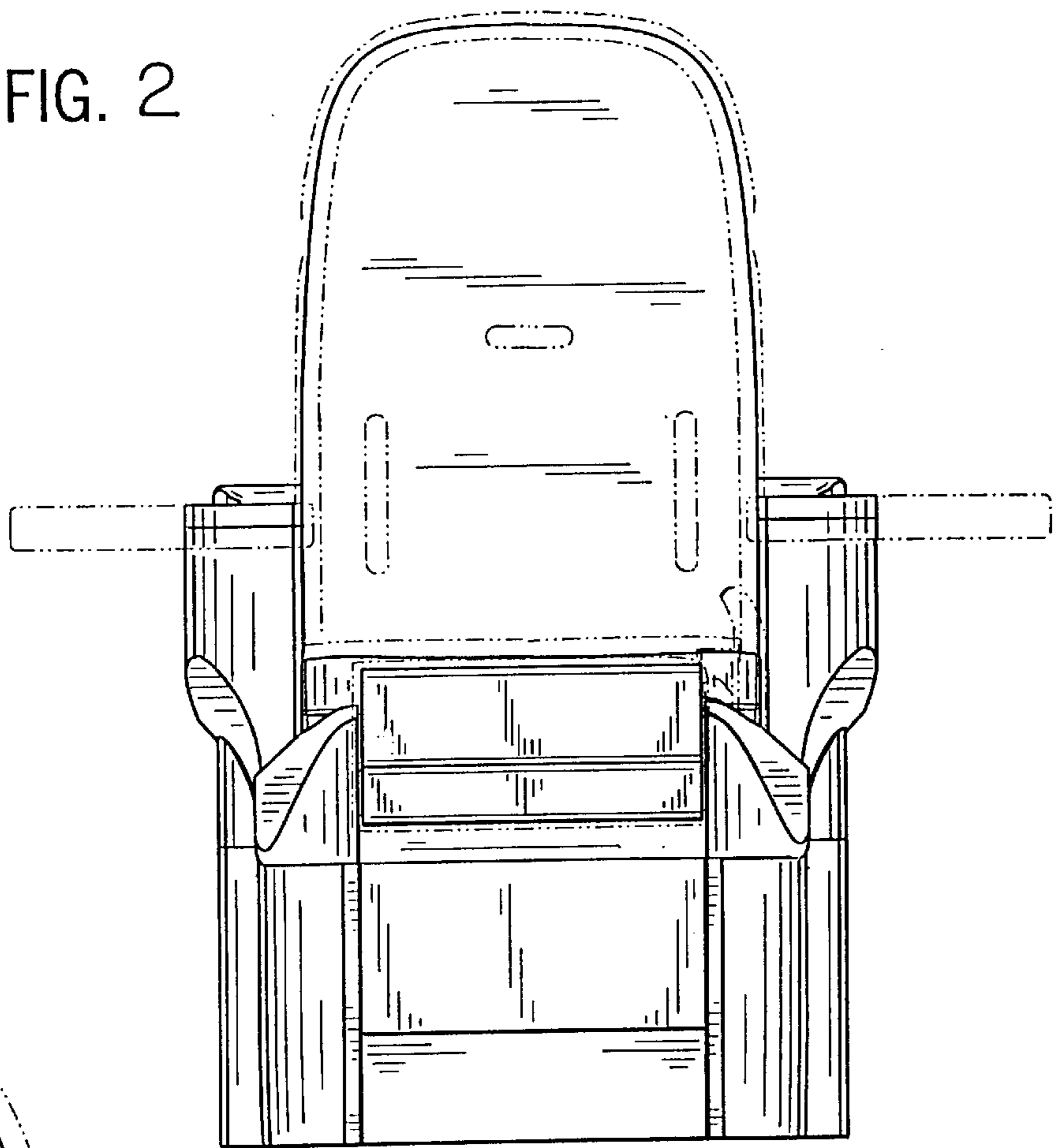


FIG. 4

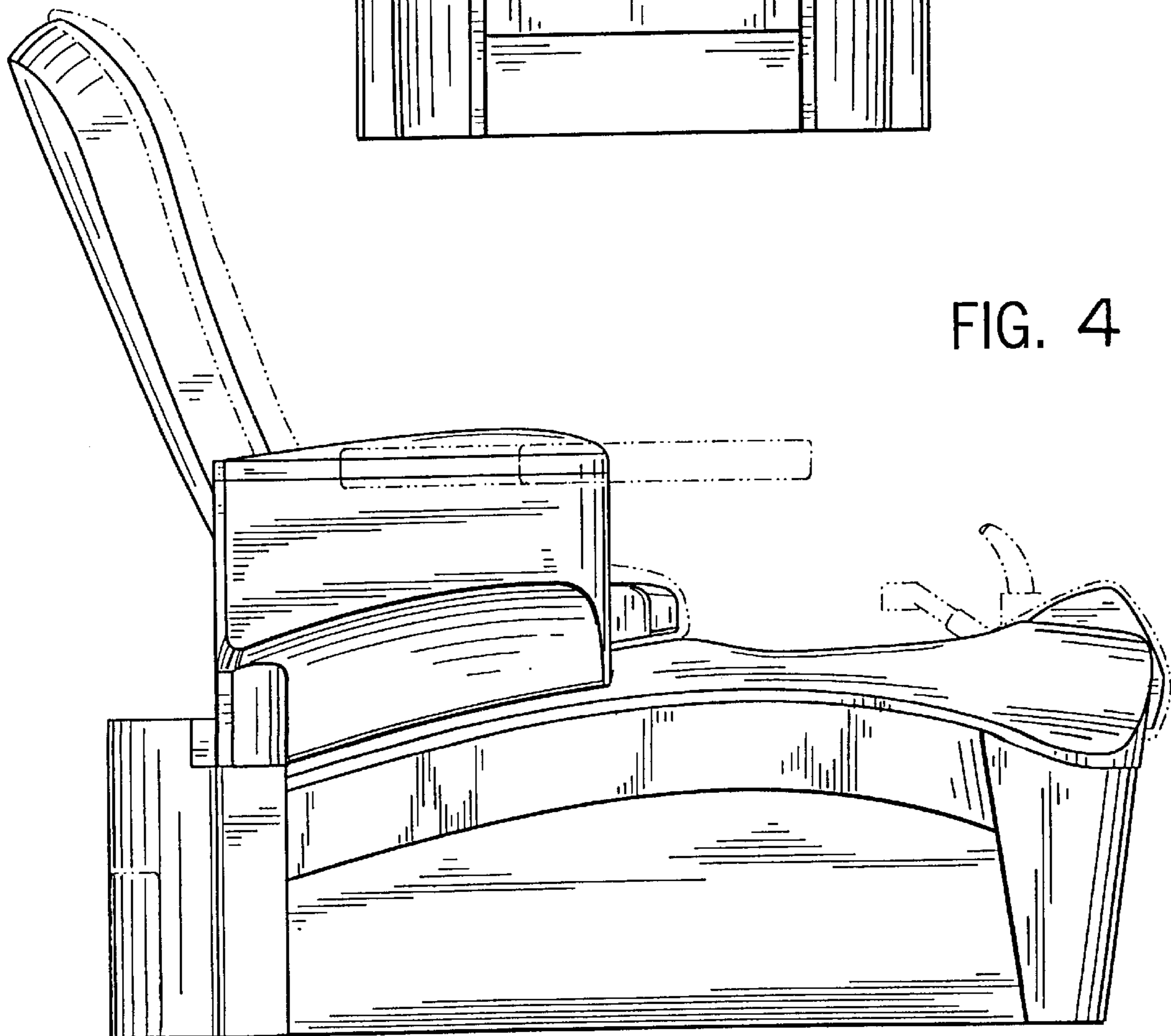


FIG. 3

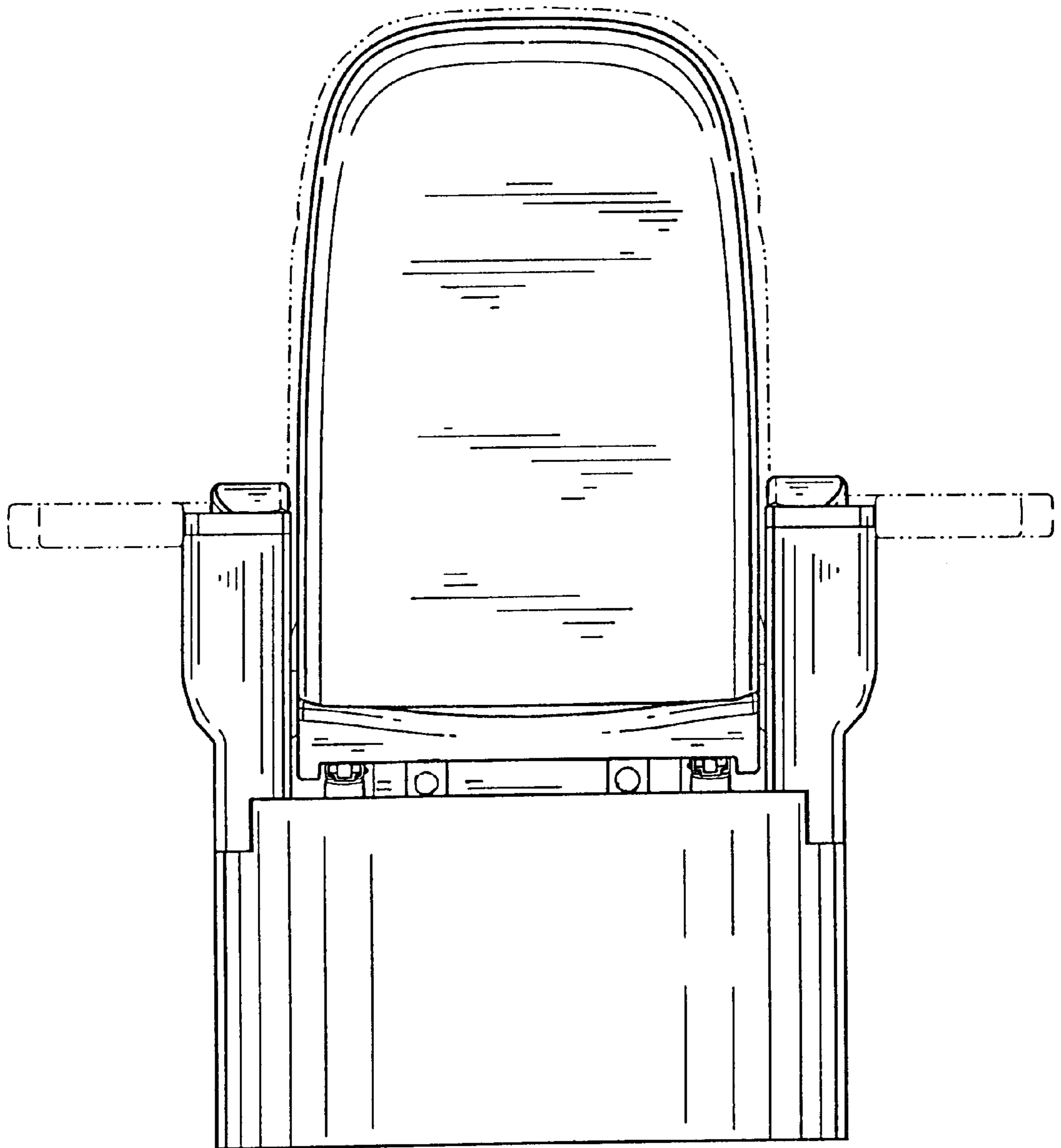




FIG. 5

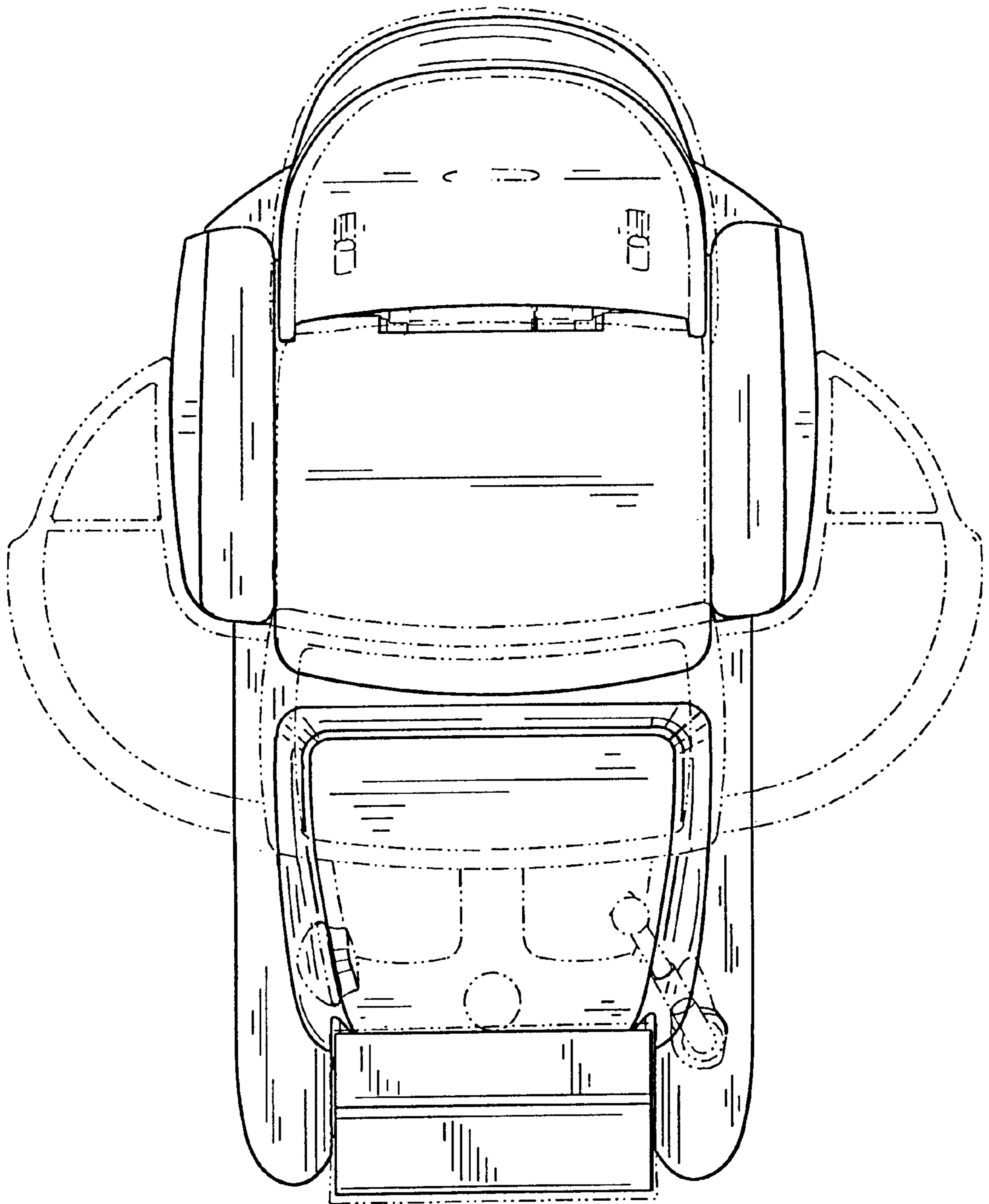


FIG. 6

