



US00D434911S

United States Patent [19]

Lynch et al.

[11] Patent Number: **Des. 434,911**

[45] Date of Patent: **** Dec. 12, 2000**

[54] **COATING TOOL HEAD AND HANDLE UNIT**

[75] Inventors: **Peter F. Lynch; Scott W. Osiecki; David A. Furth**, all of Skaneateles; **Ronald J. Kingston**, Camillus; **Robert F. Rosnak**, Depew, all of N.Y.

[73] Assignee: **Newell Operating Company**, Freeport, Ill.

[**] Term: **14 Years**

[21] Appl. No.: **29/089,595**

[22] Filed: **Jun. 18, 1998**

[51] **LOC (7) Cl.** **04-04**

[52] **U.S. Cl.** **D4/137; D32/51**

[58] **Field of Search** **D4/137, 138, 199; 15/118, 143.1, 146, 166, 209.1, 210.1; D32/40, 50-52**

[56] **References Cited**

U.S. PATENT DOCUMENTS

4,219,899 9/1980 Zurawin et al. 15/210.1 X

4,414,700	11/1983	Burns	15/118 X
4,424,603	1/1984	Balint et al.	15/210.1
4,819,294	4/1989	Calvert	15/209.1
5,443,533	8/1995	Magnien	15/210.1

Primary Examiner—Alan P. Douglas
Assistant Examiner—Lavone Tabor
Attorney, Agent, or Firm—Foley & Lardner

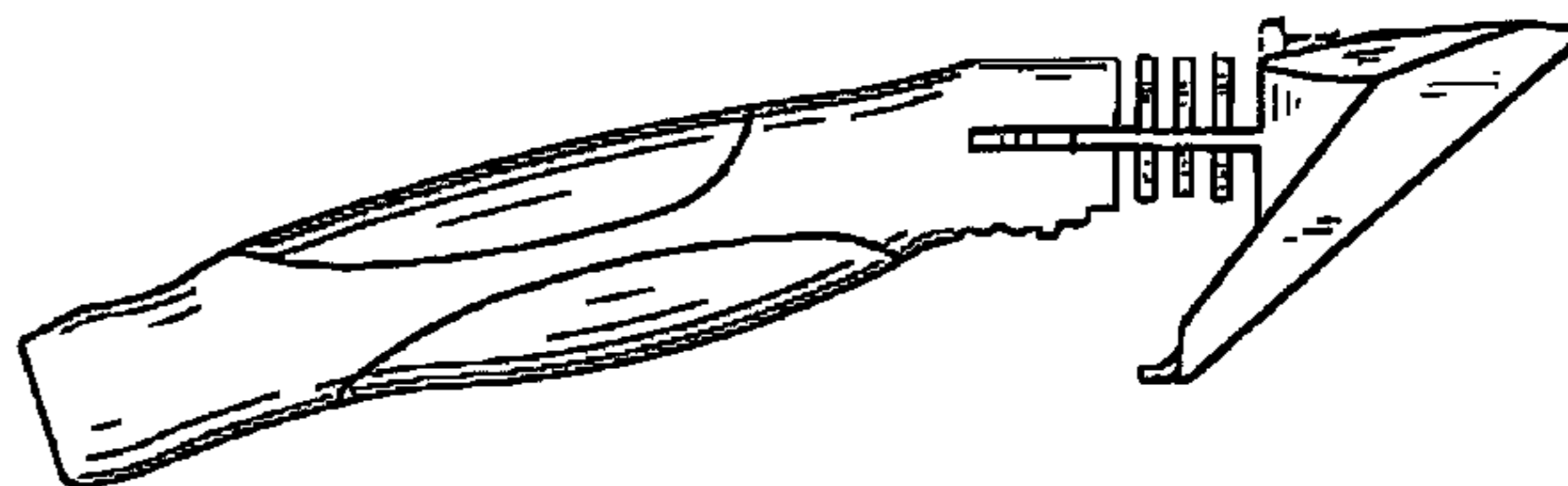
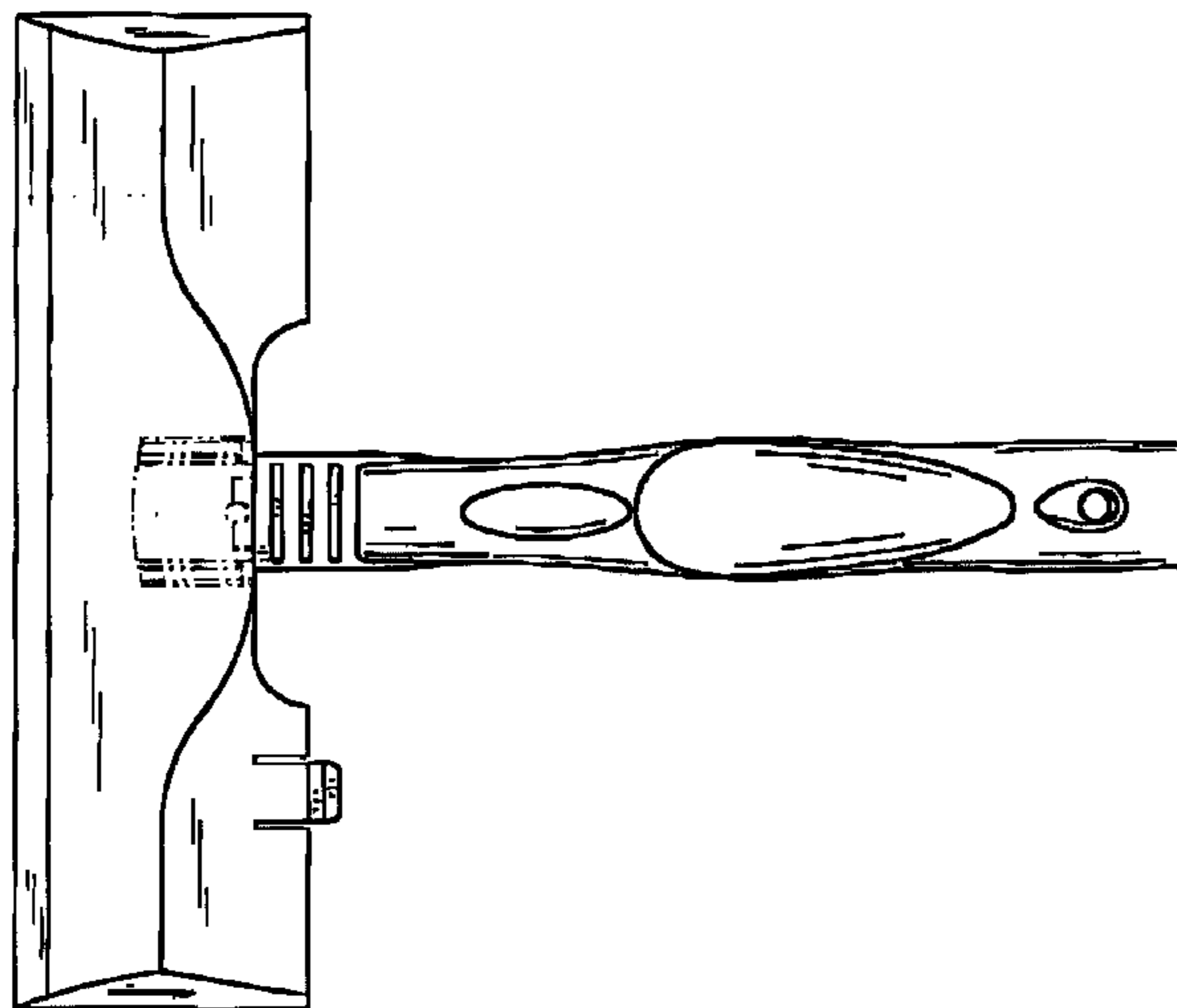
[57] **CLAIM**

We claim the ornamental design for a coating tool head and handle unit, as shown and described.

DESCRIPTION

FIG. 1 is a top plan view of the coating tool head and handle unit.
FIG. 2 is a rear end elevation view thereof;
FIG. 3 is a right side elevation view thereof; and,
FIG. 4 is a left side elevation view thereof.
The broken lines are for illustrative purposes only and form no part of the claimed design.
The portions of the bottom of the coating tool unit neither shown in the drawing nor described in the specification form no part of the claimed design.

1 Claim, 1 Drawing Sheet



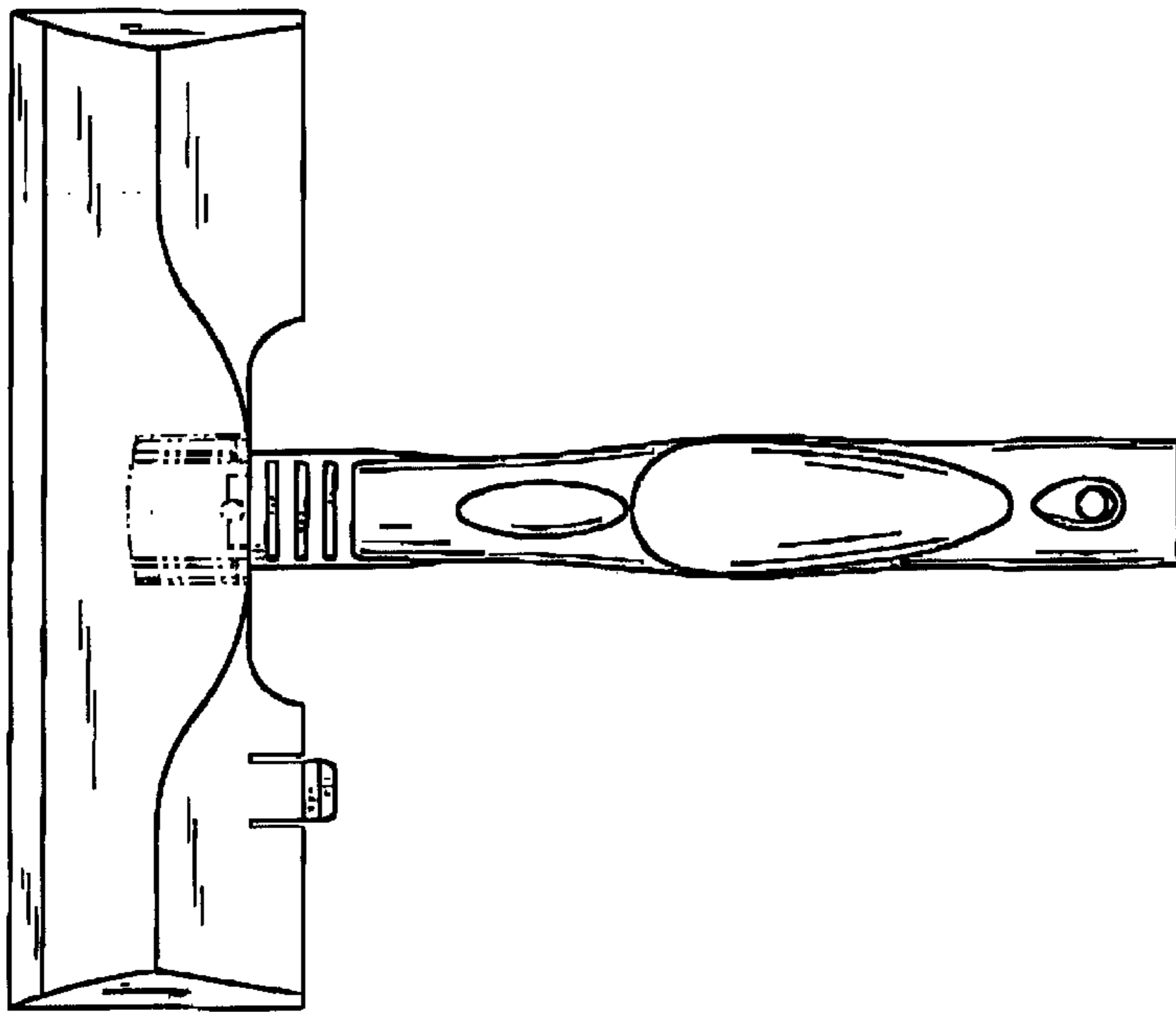


FIG. 1

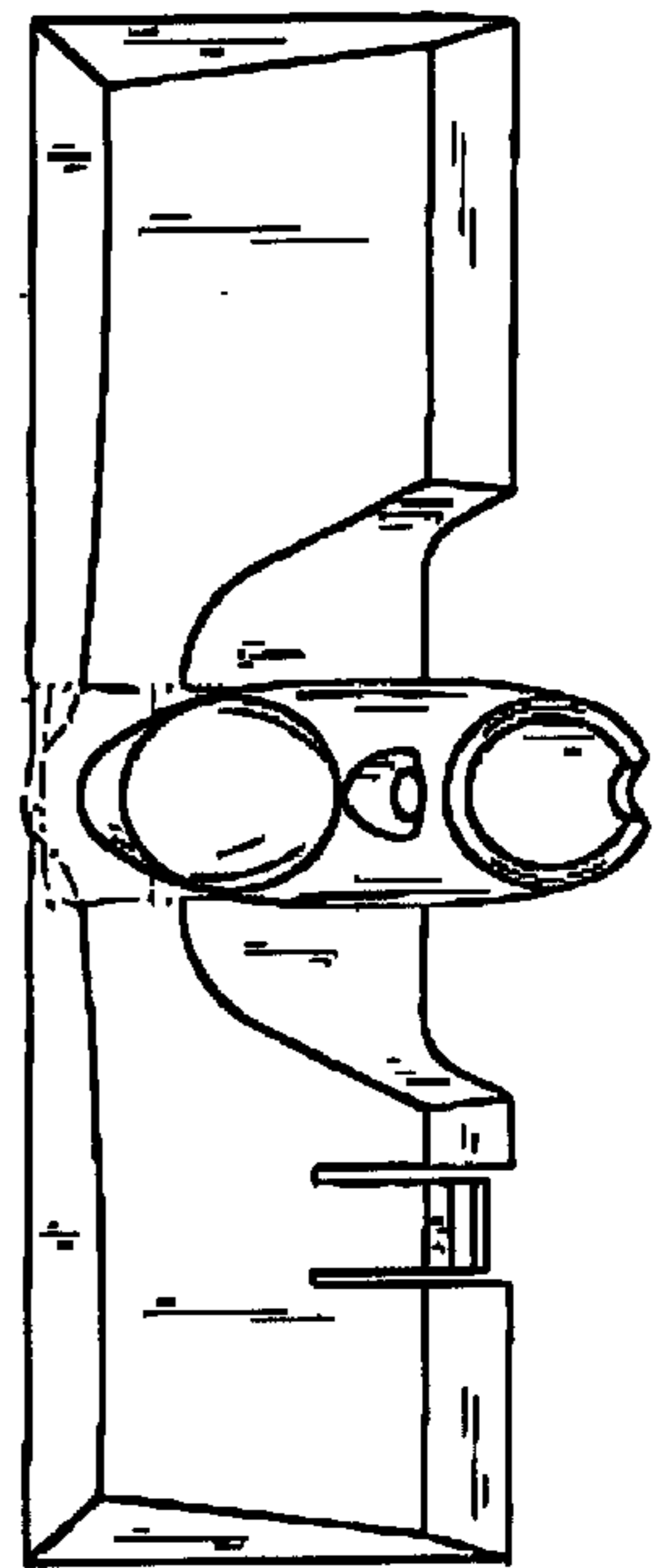


FIG. 2

FIG. 3

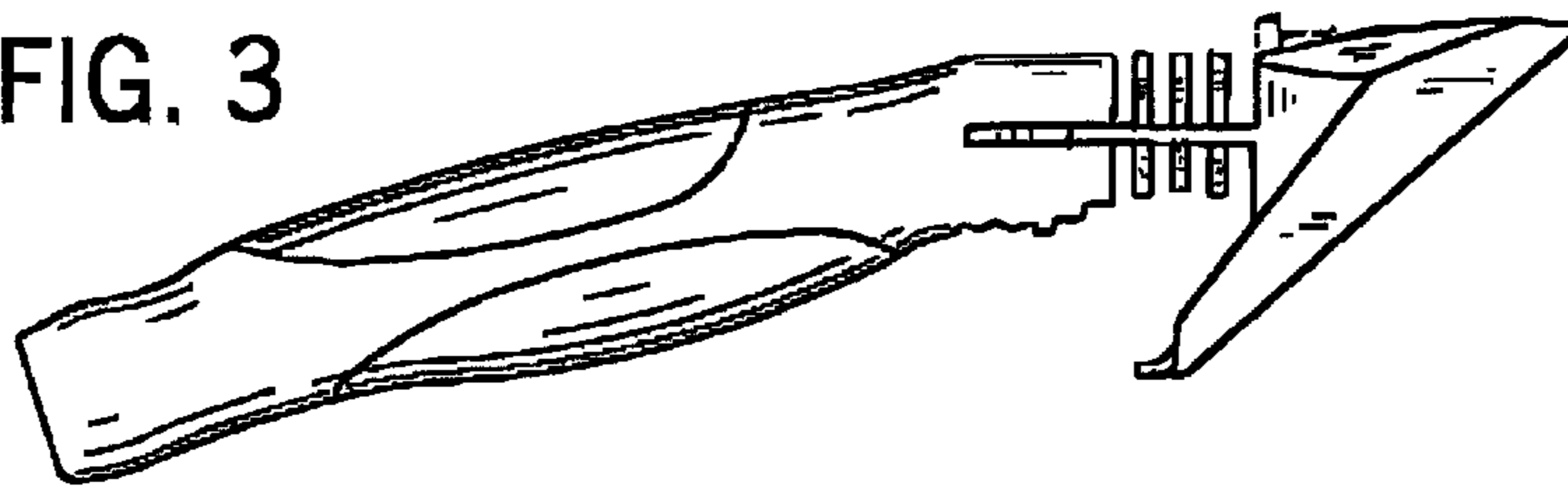


FIG. 4

