



US00D434910S

United States Patent [19]
Kim

[11] **Patent Number: Des. 434,910**

[45] **Date of Patent: ** Dec. 12, 2000**

[54] **BRUSH HEAD**

[76] Inventor: **Dong K. Kim**, 9808 S. Alburdis Ave.,
Santa Fe Springs, Calif. 90670-3208

[**] Term: **14 Years**

[21] Appl. No.: **29/107,925**

[22] Filed: **Jul. 16, 1999**

[51] **LOC (7) Cl.** **04-02**

[52] **U.S. Cl.** **D4/136; D4/133**

[58] **Field of Search** D4/130, 132-134,
D4/136; 15/159.1, 160, 186-188; 132/120,
313

[56] **References Cited**

U.S. PATENT DOCUMENTS

- D. 244,568 6/1977 Lepisto et al. D4/136
- D. 290,910 7/1987 Steadman et al. D4/136
- D. 366,567 1/1996 Gertsma et al. D4/136

OTHER PUBLICATIONS

Hong Kong Enterprise, Brush—Item No. 9568B-E, p. 7,
Jan. 1998.

Primary Examiner—Alan P. Douglas
Assistant Examiner—Lavone Tabor
Attorney, Agent, or Firm—John K. Park; Park & Sutton LLP

[57] **CLAIM**

The ornamental design for a brush head, as shown and described.

DESCRIPTION

FIG. 1 is an isometric view of a brush head showing my new design;
 FIG. 2 is an enlarged isometric view thereof;
 FIG. 3 is a top plan view thereof;
 FIG. 4 is a side elevational view thereof, the opposite side being a mirror image;
 FIG. 5 is a bottom plan view thereof with the bristles being omitted for ease of illustration;
 FIG. 6 is a front elevational view thereof; and,
 FIG. 7 is a rear elevational view thereof.

The broken lines showing of a portion of a brush handle in FIG. 1 as well as the broken lines shown on the rear of the head in FIGS. 1, 2, and 7 are for illustration purpose only and form no part of the claimed design.

1 Claim, 5 Drawing Sheets

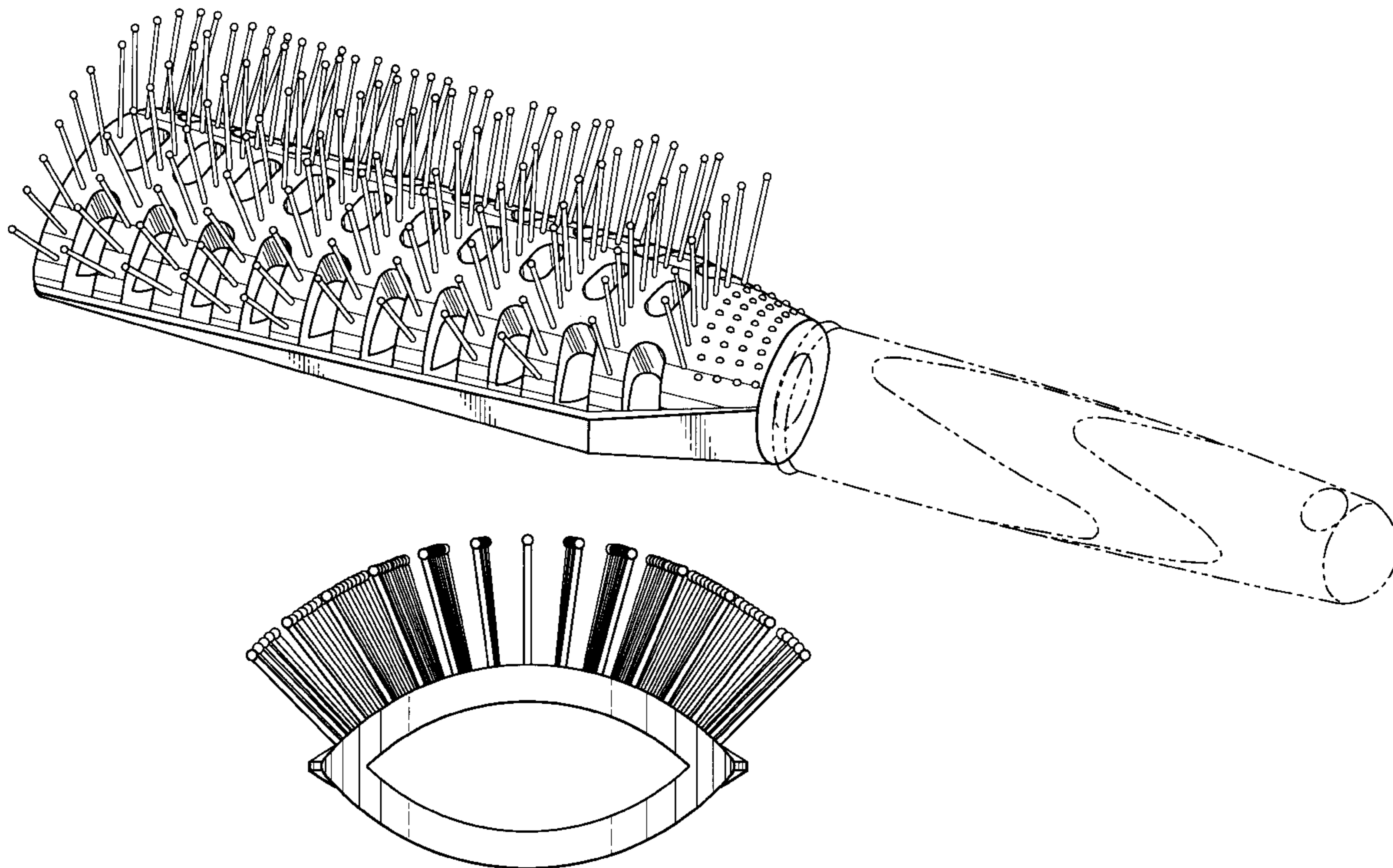


FIG. 1

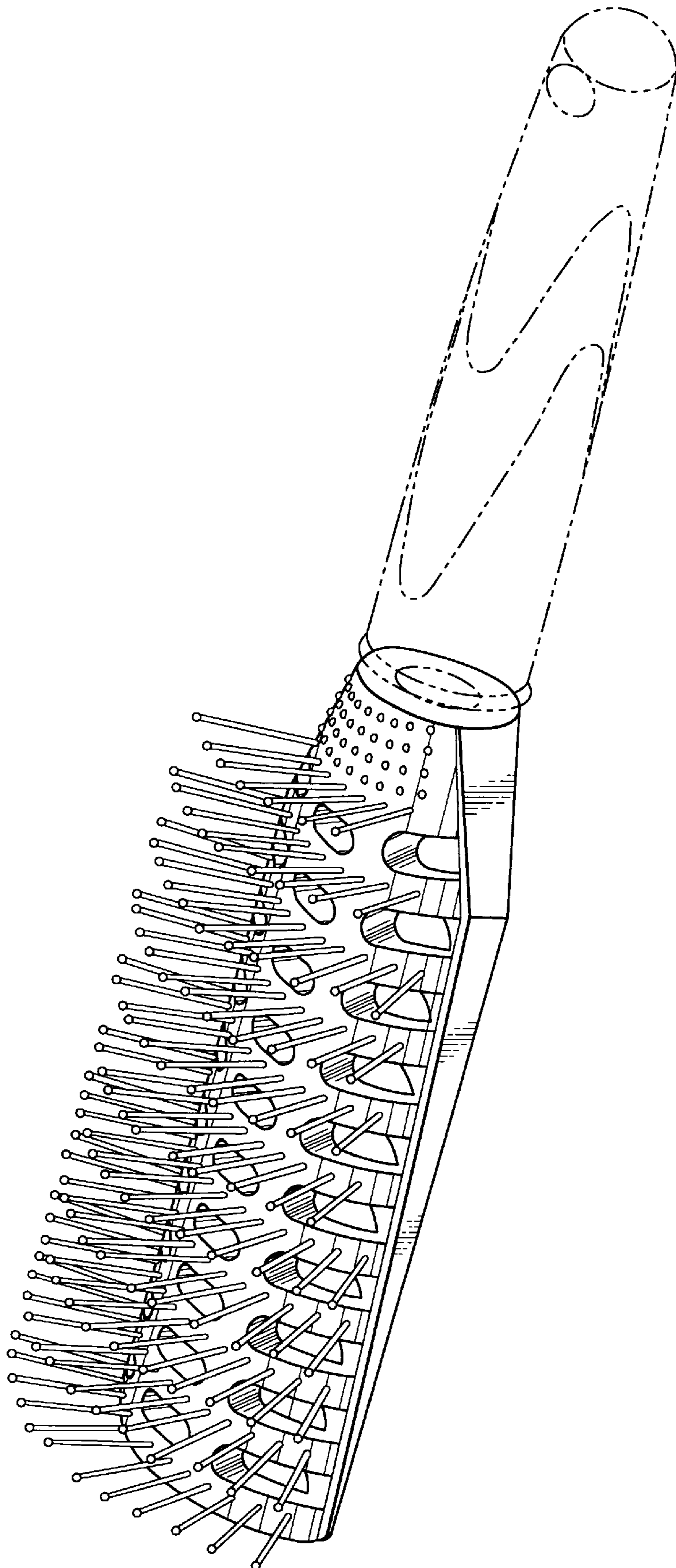
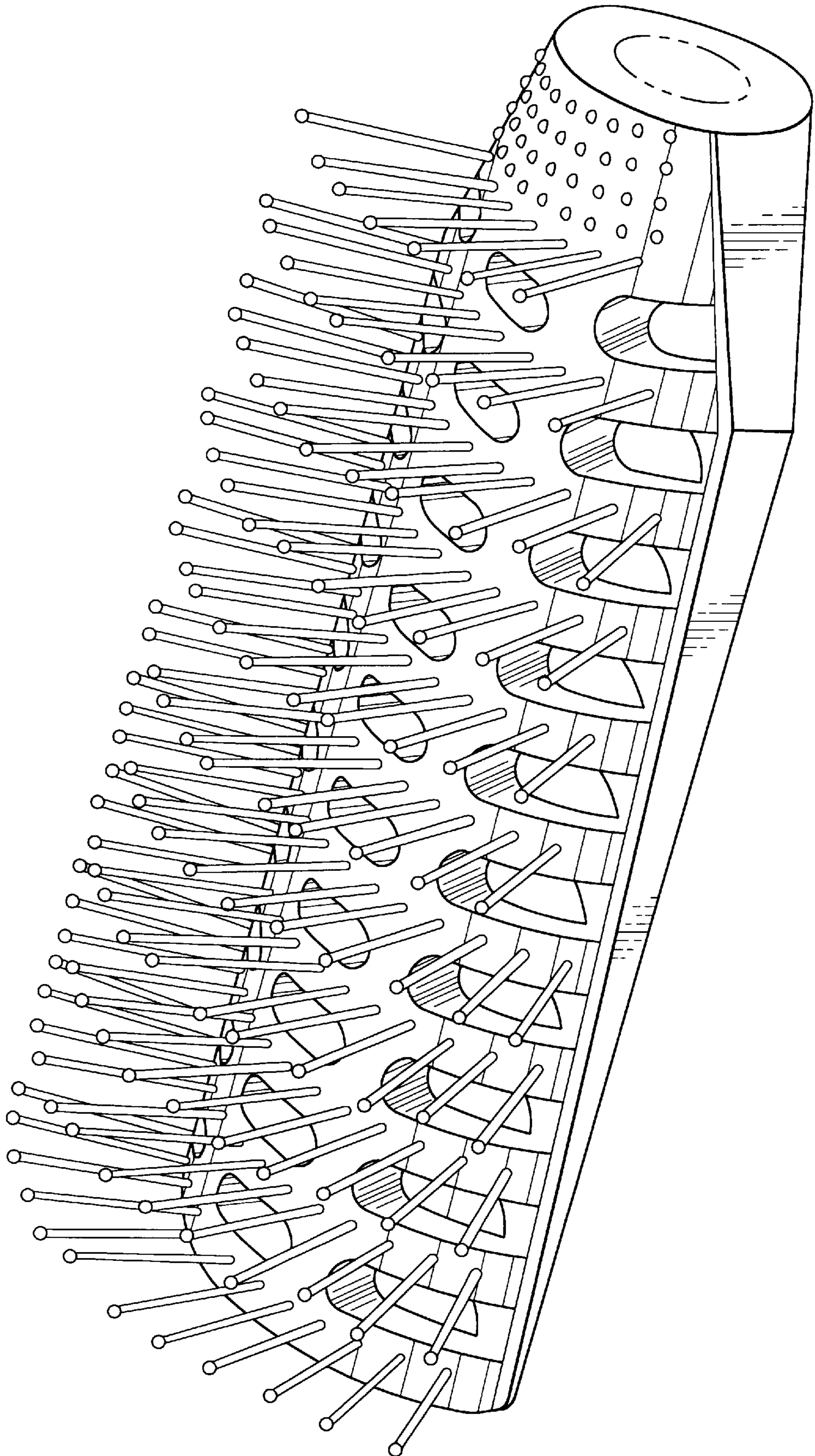


FIG. 2



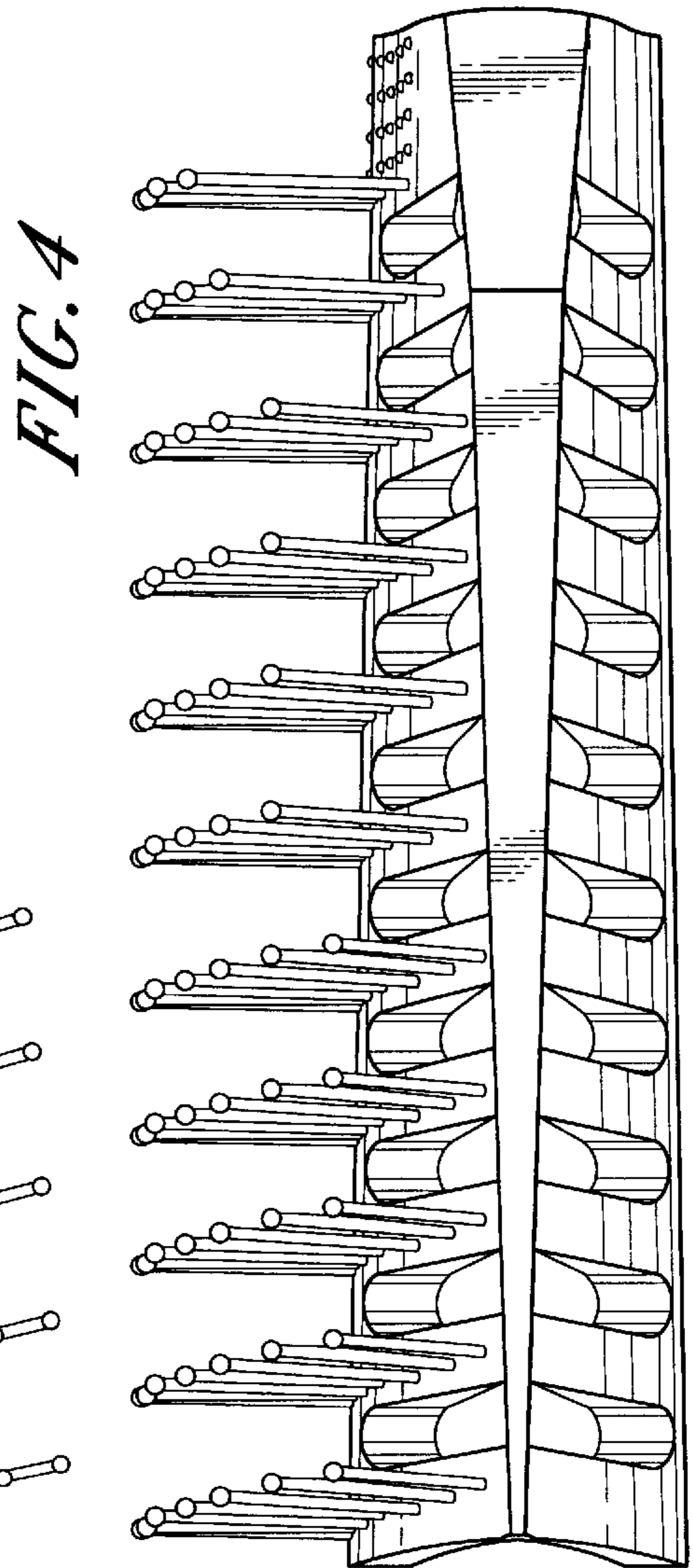
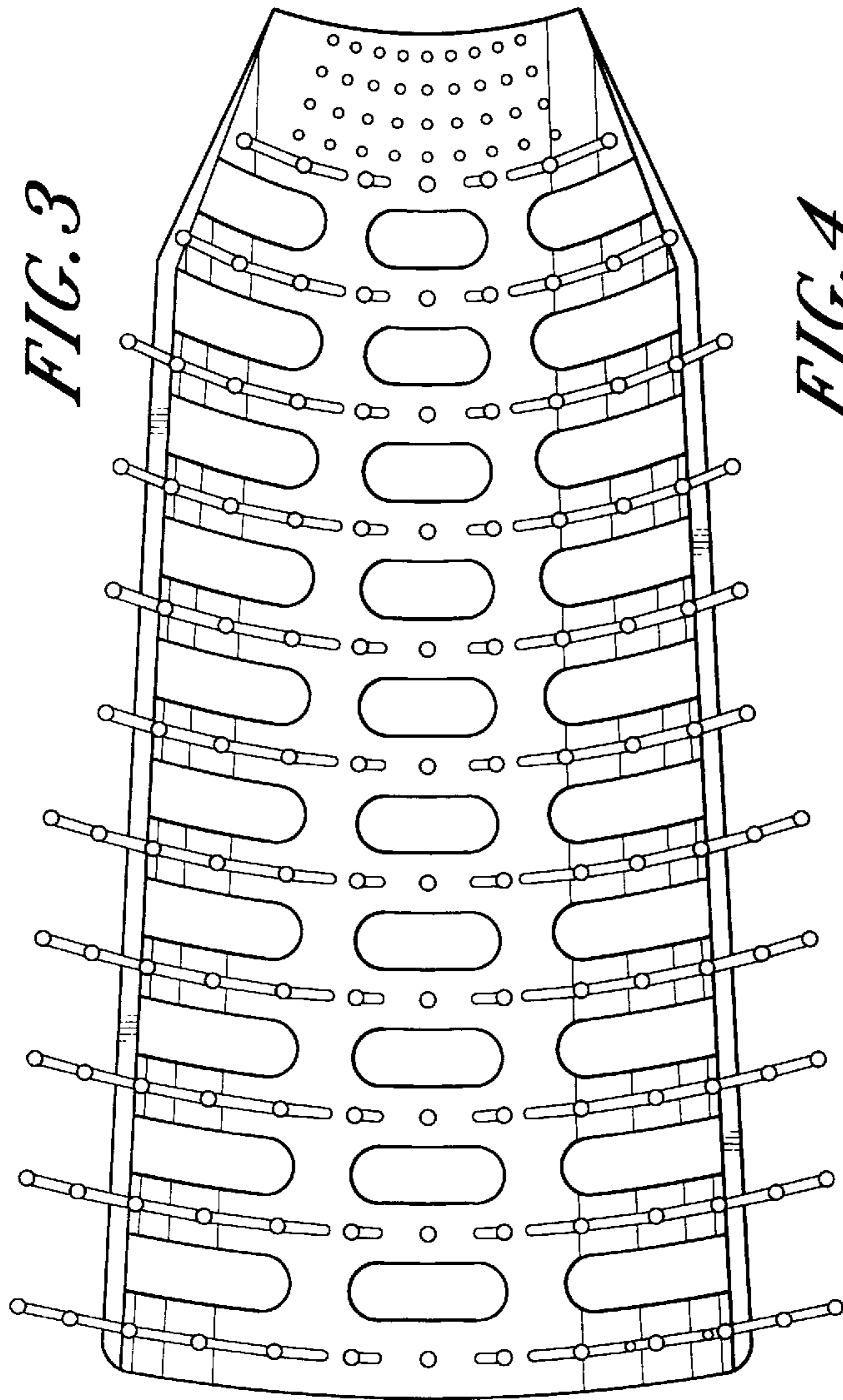


FIG. 5

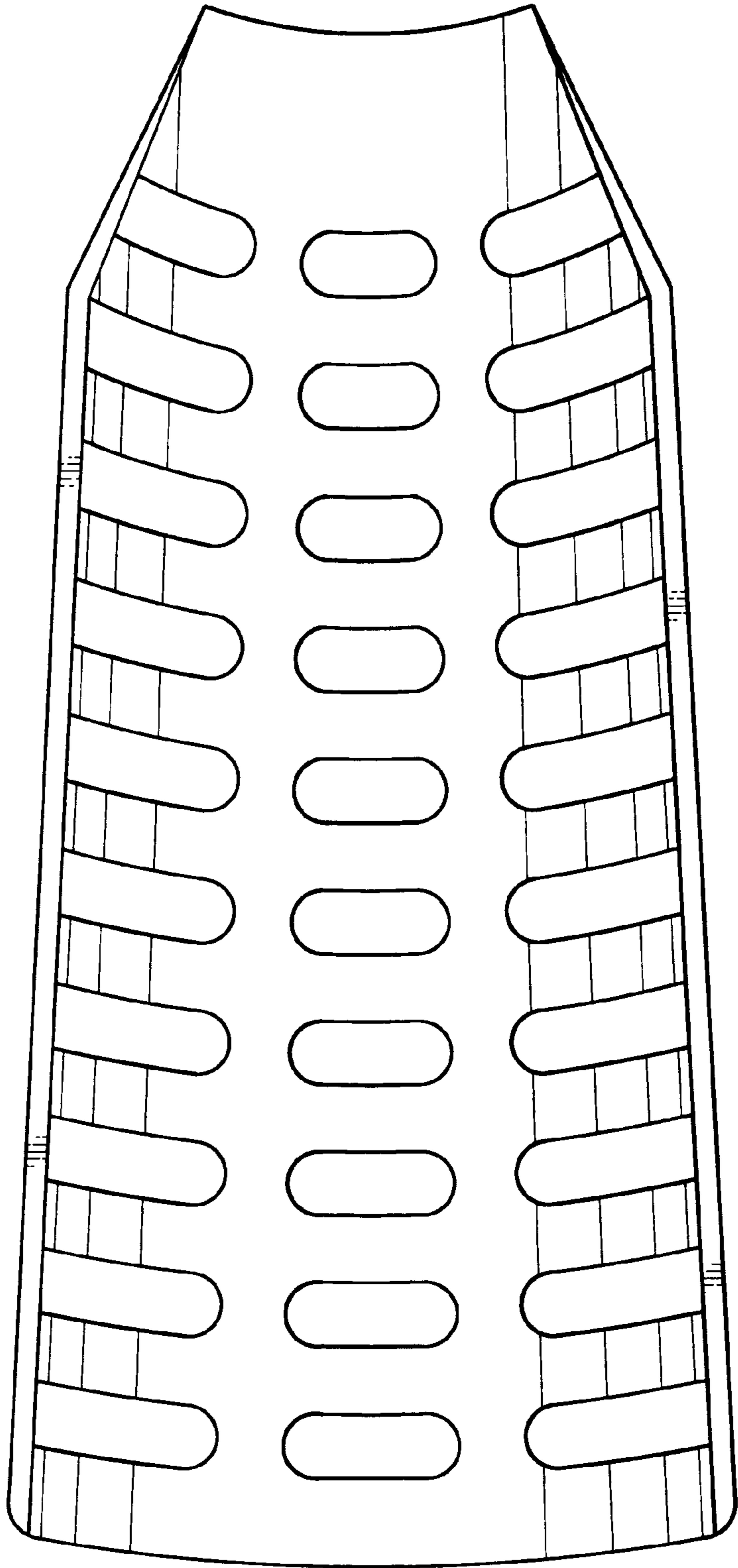


FIG. 7

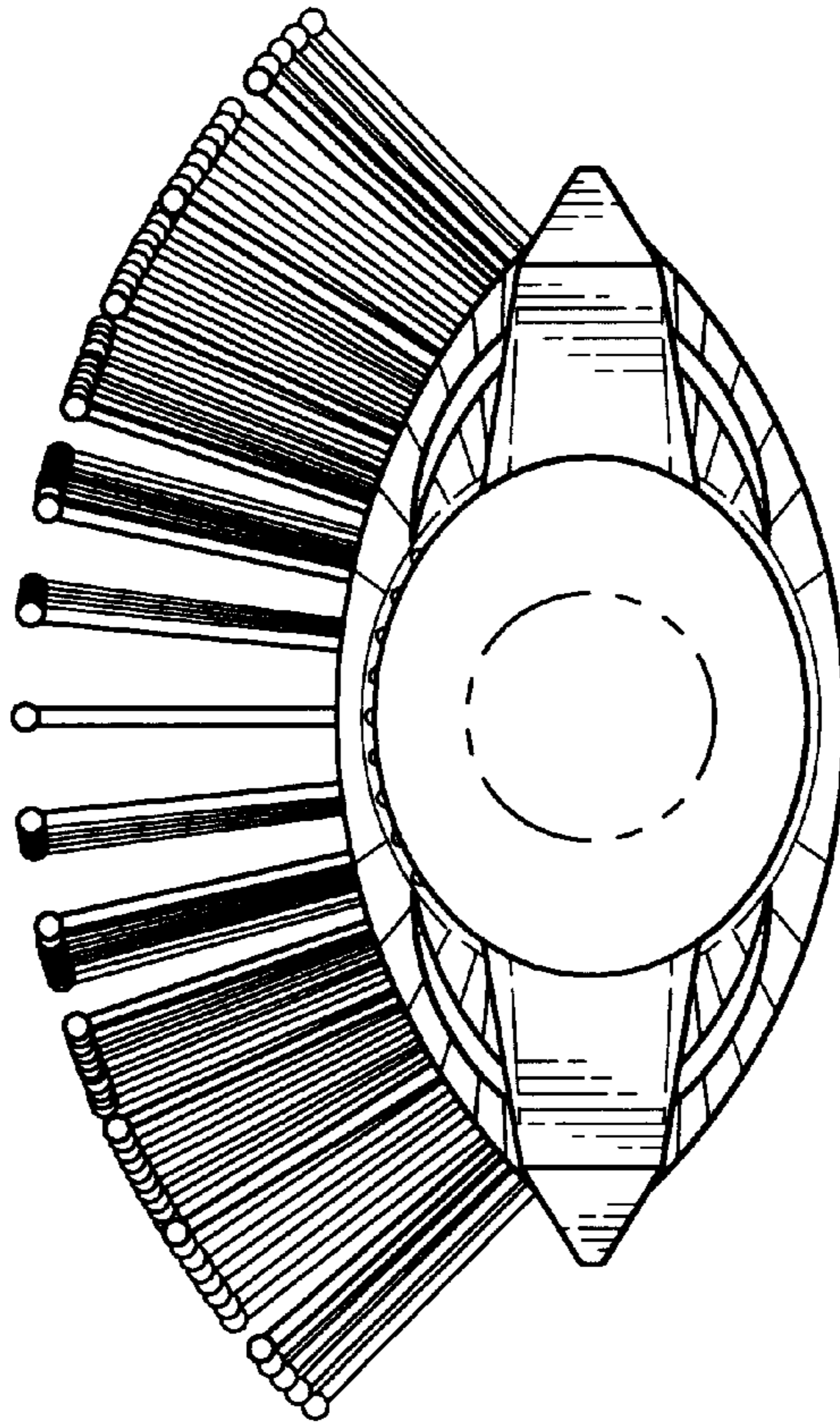


FIG. 6

