



US00D434906S

United States Patent [19]

Beals et al.

[11] Patent Number: Des. 434,906

[45] Date of Patent: ** Dec. 12, 2000

[54] SET OF BRISTLES FOR A TOOTHBRUSH

WO97/03587 2/1997 WIPO .

[75] Inventors: Donna Beals, Sunnyville, Calif.; Michael Roberts, Braintree, Mass.; Bradley Castillo, San Ramon; Edgardo Gotangco Zapanta, San Bruno, both of Calif.

Primary Examiner—Alan P. Douglas
Assistant Examiner—Lavone D. Tabor
Attorney, Agent, or Firm—David A. Howley

[73] Assignee: Gillette Canada Inc., Kirkland

[**] Term: 14 Years

[57] CLAIM

The ornamental design for a set of bristles for a toothbrush, as shown and described.

[21] Appl. No.: 29/099,627

[22] Filed: Jan. 25, 1999
(Under 37 CFR 1.47)

DESCRIPTION

[51] LOC (7) Cl. 04-02

[52] U.S. Cl. D4/104

[58] Field of Search D4/104-112, 130, D4/132, 134, 138; 15/110, 159.1, 160, 167.1, 186-188, DIG. 5; 601/139, 141

FIG. 1 is perspective view as seen from the top, front and right side of a set of bristles for a toothbrush showing our new design (unclaimed environmental structure being shown in broken lines);

FIG. 2 is a top plan view thereof (unclaimed environmental structure being shown in broken lines);

FIG. 3 is a front elevational view thereof (unclaimed environmental structure being shown in broken lines);

FIG. 4 is a right side elevational view thereof where the left side view is a mirror image (unclaimed environmental structure being shown in broken lines); and,

FIG. 5 is a rear elevational view thereof (unclaimed environmental structure being shown in broken lines).

The broken lines showing the toothbrush head and neck structure are for illustrative purposes only and form no part of the claimed design.

[56] References Cited

U.S. PATENT DOCUMENTS

- D. 387,206 12/1997 Yamamoto et al. D4/104
- D. 402,116 12/1998 Magloff et al. D4/104
- 5,802,656 9/1998 Dawson et al. 15/110

FOREIGN PATENT DOCUMENTS

WO95/06420 3/1995 WIPO .

1 Claim, 2 Drawing Sheets

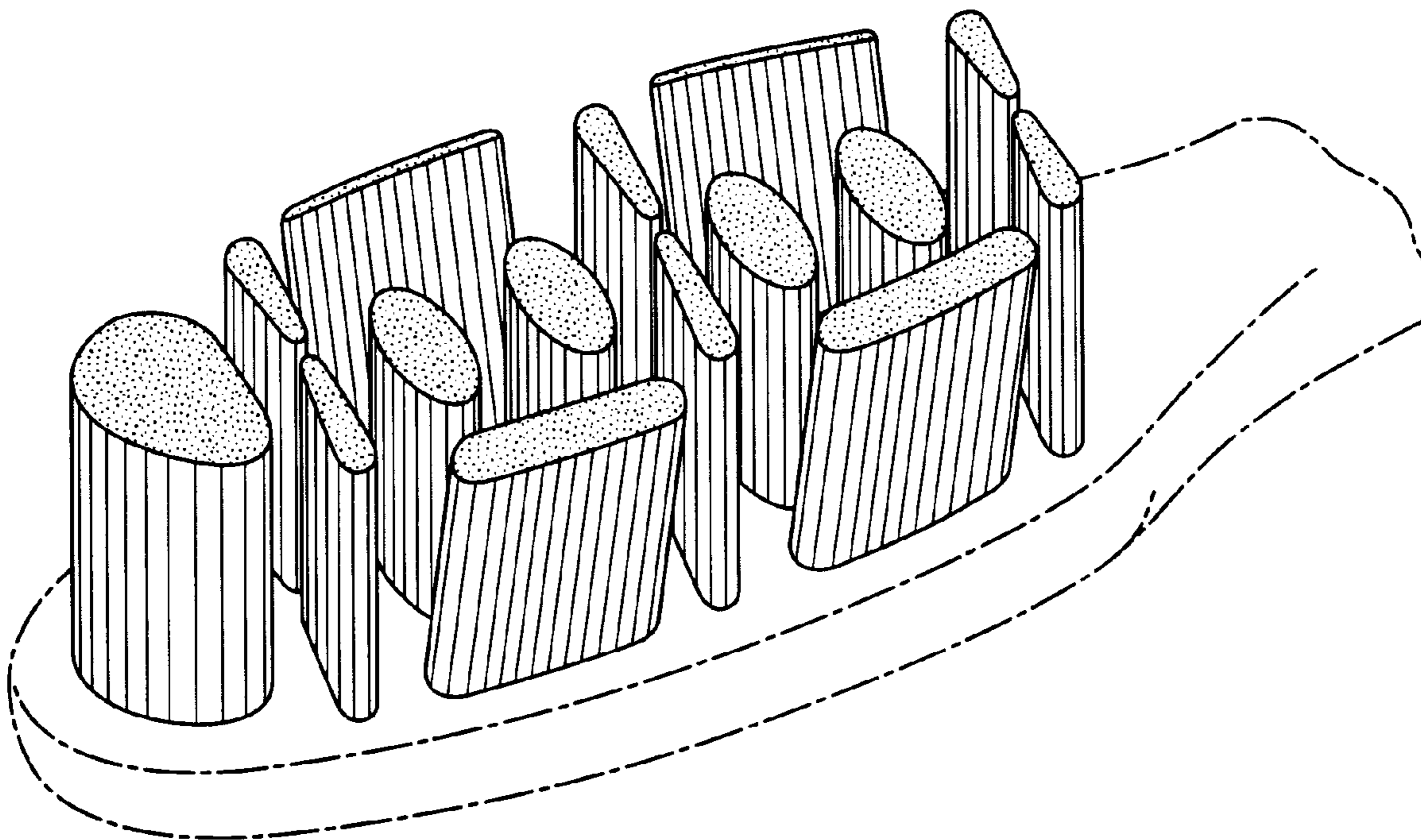


FIG. 1

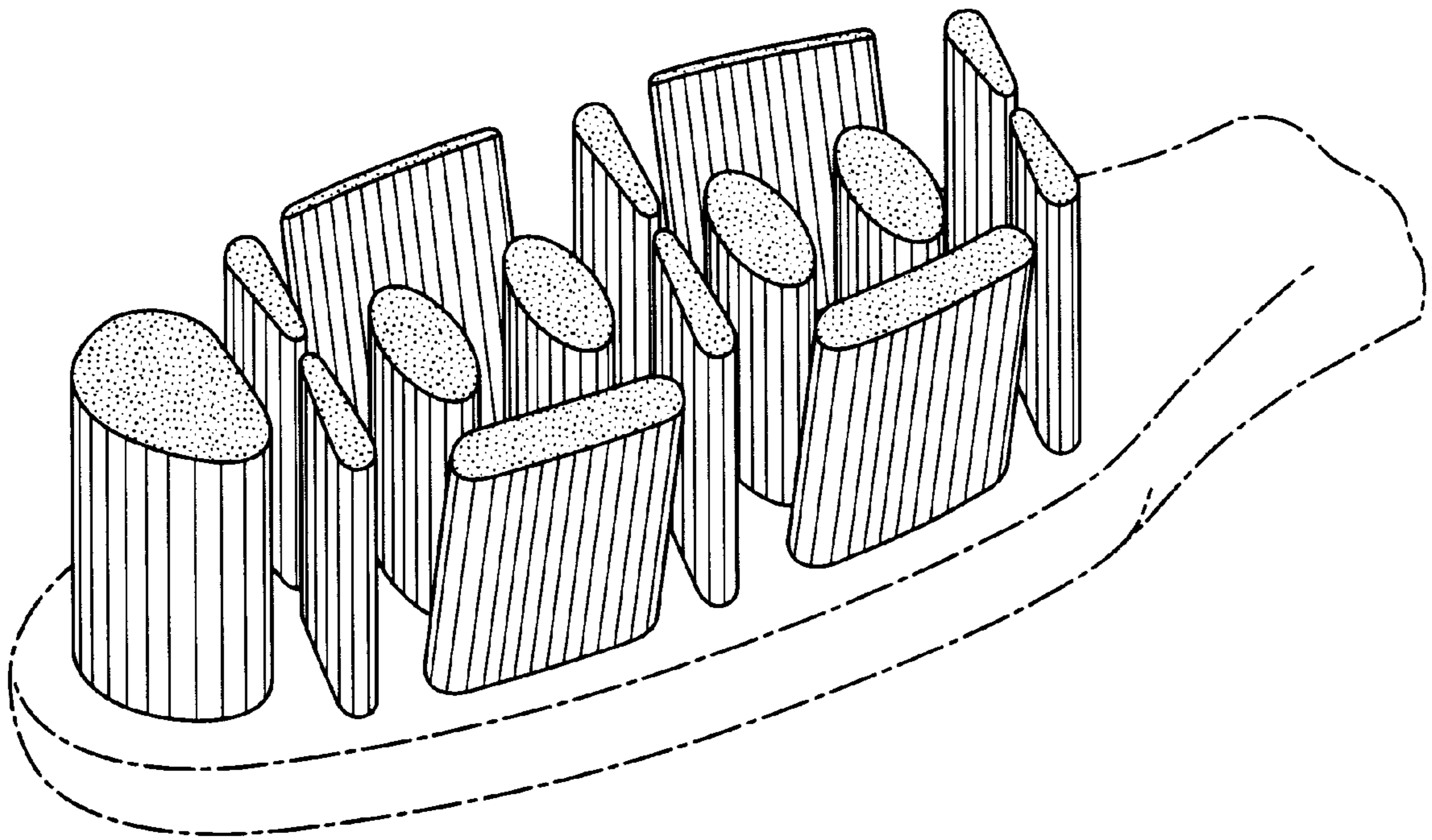


FIG. 2

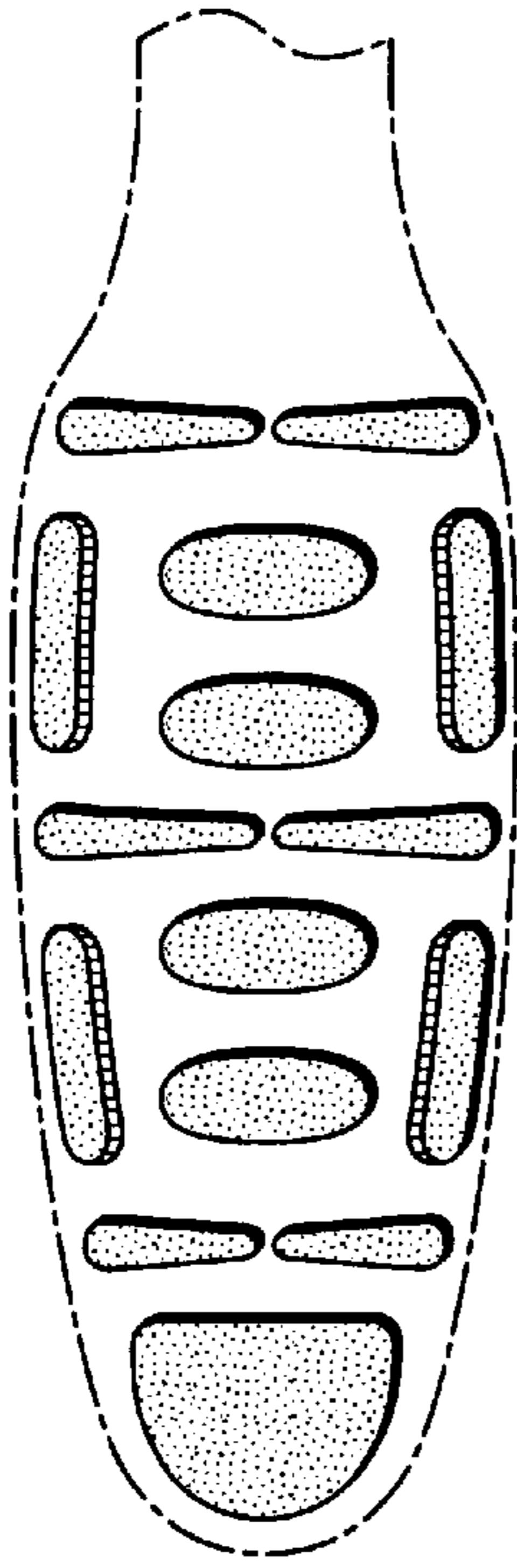


FIG. 3

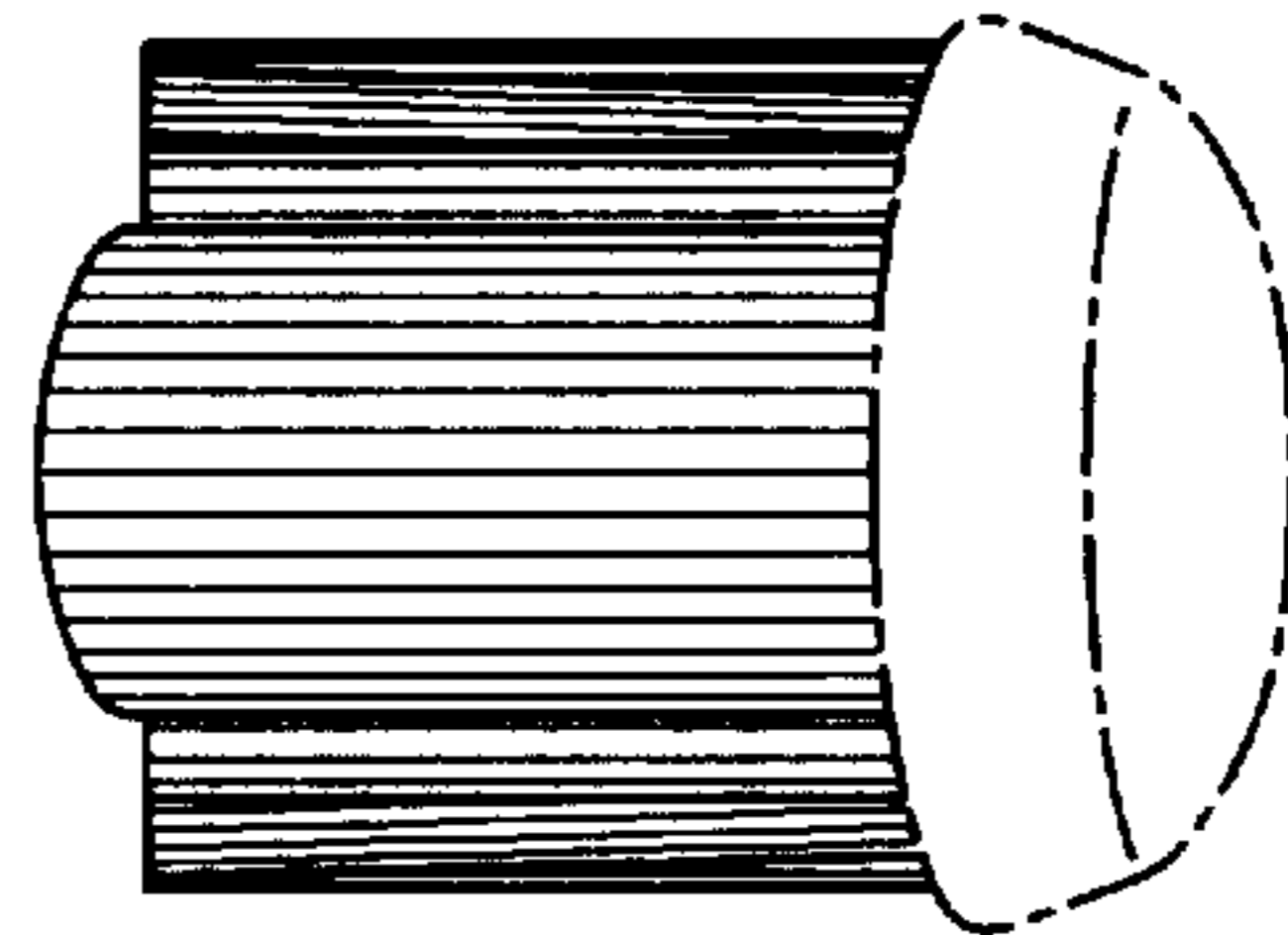


FIG. 4

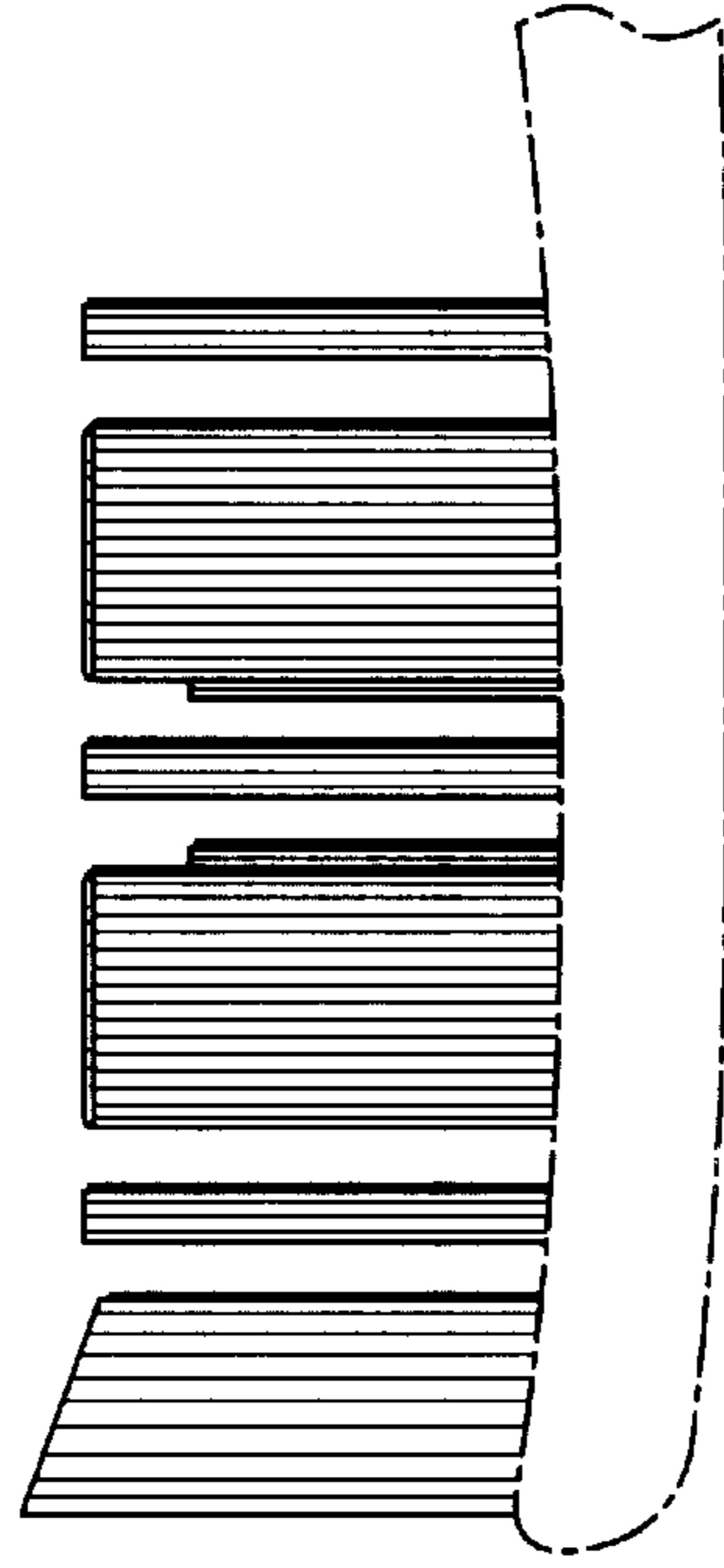


FIG. 5

