



US00D434905S

# United States Patent [19] Ryan

[11] **Patent Number: Des. 434,905**

[45] **Date of Patent: \*\* Dec. 12, 2000**

[54] **GOLF BAG TOP**

[75] Inventor: **Debi Ryan**, Springfield, Tenn.

[73] Assignee: **Datrek Professional Bags, Inc.**,  
Springfield, Tenn.

[\*\*] Term: **14 Years**

[21] Appl. No.: **29/100,090**

[22] Filed: **Feb. 3, 1999**

[51] **LOC (7) Cl.** ..... **03-99**

[52] **U.S. Cl.** ..... **D3/320**

[58] **Field of Search** ..... D3/319-321, 255,  
D3/259; 206/315.3, 315.5, 315.6, 315.7,  
315.8; 248/95-96, 99-101

[56] **References Cited**

**U.S. PATENT DOCUMENTS**

D. 316,779	5/1991	Henrickson et al.	.....	D3/255
D. 323,741	2/1992	Antonious	.....	D3/320
D. 325,299	4/1992	Antonious	.....	D3/320
D. 327,168	6/1992	Antonious	.....	D3/320
5,358,109	10/1994	Nichols	.....	206/315.3
5,361,899	11/1994	Reimers	.....	206/315.6
5,799,786	9/1998	Beck et al.	.....	206/315.7
5,918,737	7/1999	Kwon	.....	206/315.3

**FOREIGN PATENT DOCUMENTS**

663533	12/1951	United Kingdom	.....	206/315.5
1418463	12/1975	United Kingdom	.....	206/315.5

**OTHER PUBLICATIONS**

Excerpt of an advertising brochure advertising OMEGA™ Series. undated.

Excerpt of an advertising brochure of Tectonic Corporation used under license by Burton Golf, Inc. advertising NIBLOCK® Security Systems. undated.

Excerpt of an advertising brochure advertising Fury™. undated.

Excerpt of an advertising brochure advertising XL Tour Series™. undated.

Excerpt of an advertising brochure advertising EXECUTIVE™ Series A. undated.

*Primary Examiner*—Louis S. Zarfes  
*Assistant Examiner*—Robert A. Delehanty  
*Attorney, Agent, or Firm*—Waddey & Patterson; I. C. Waddey, Jr.

[57] **CLAIM**

The ornamental design for golf bag top, as shown and described.

**DESCRIPTION**

FIG. 1 is a front, side perspective view of a golf bag top showing my new design;

FIG. 2 is a rear elevation view shown on a reduced scale thereof;

FIG. 3 is a front elevation view shown on a reduced scale thereof;

FIG. 4 is a top plan view shown on a reduced scale thereof;

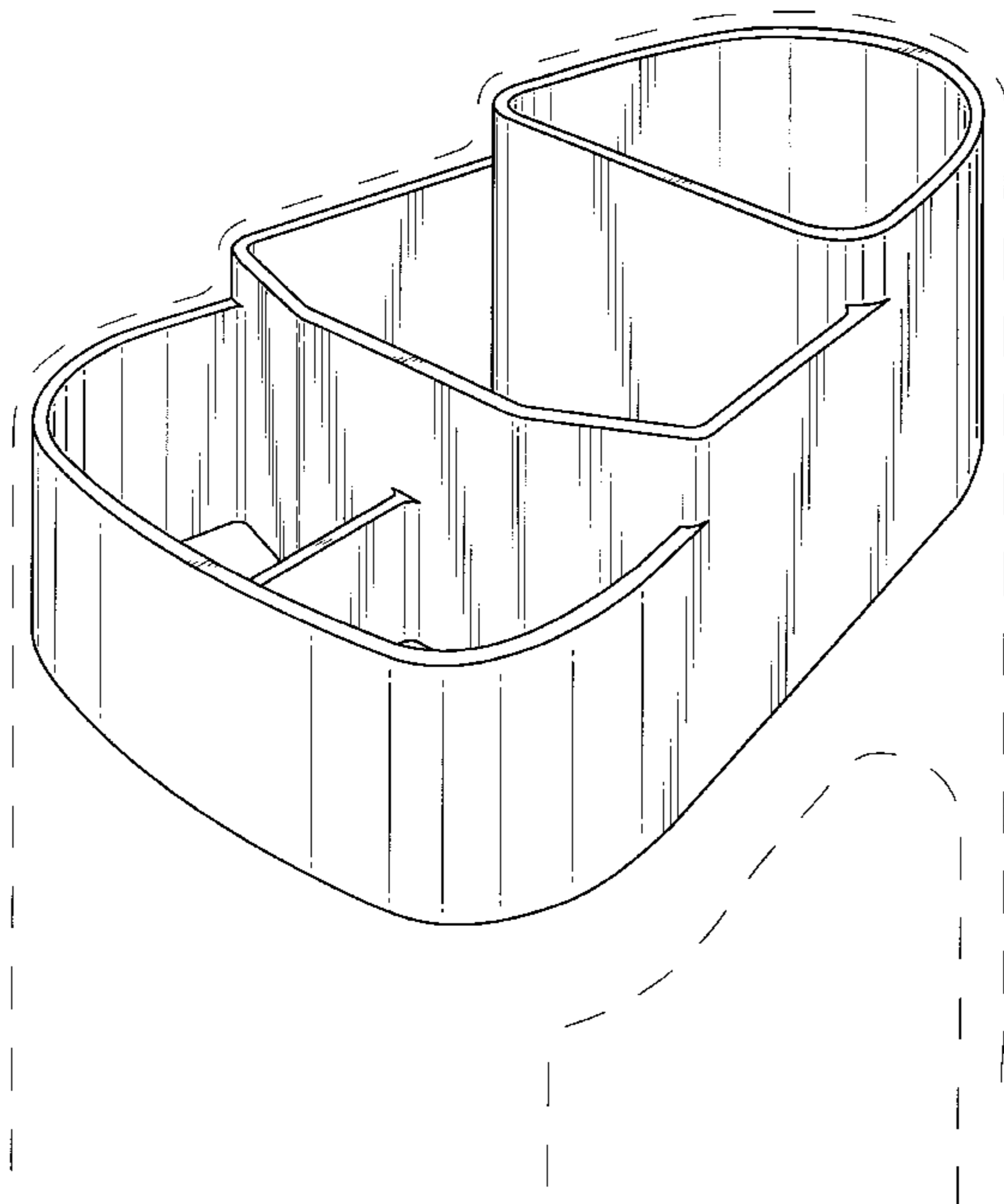
FIG. 5 is a left, side elevation view shown on a reduced scale thereof;

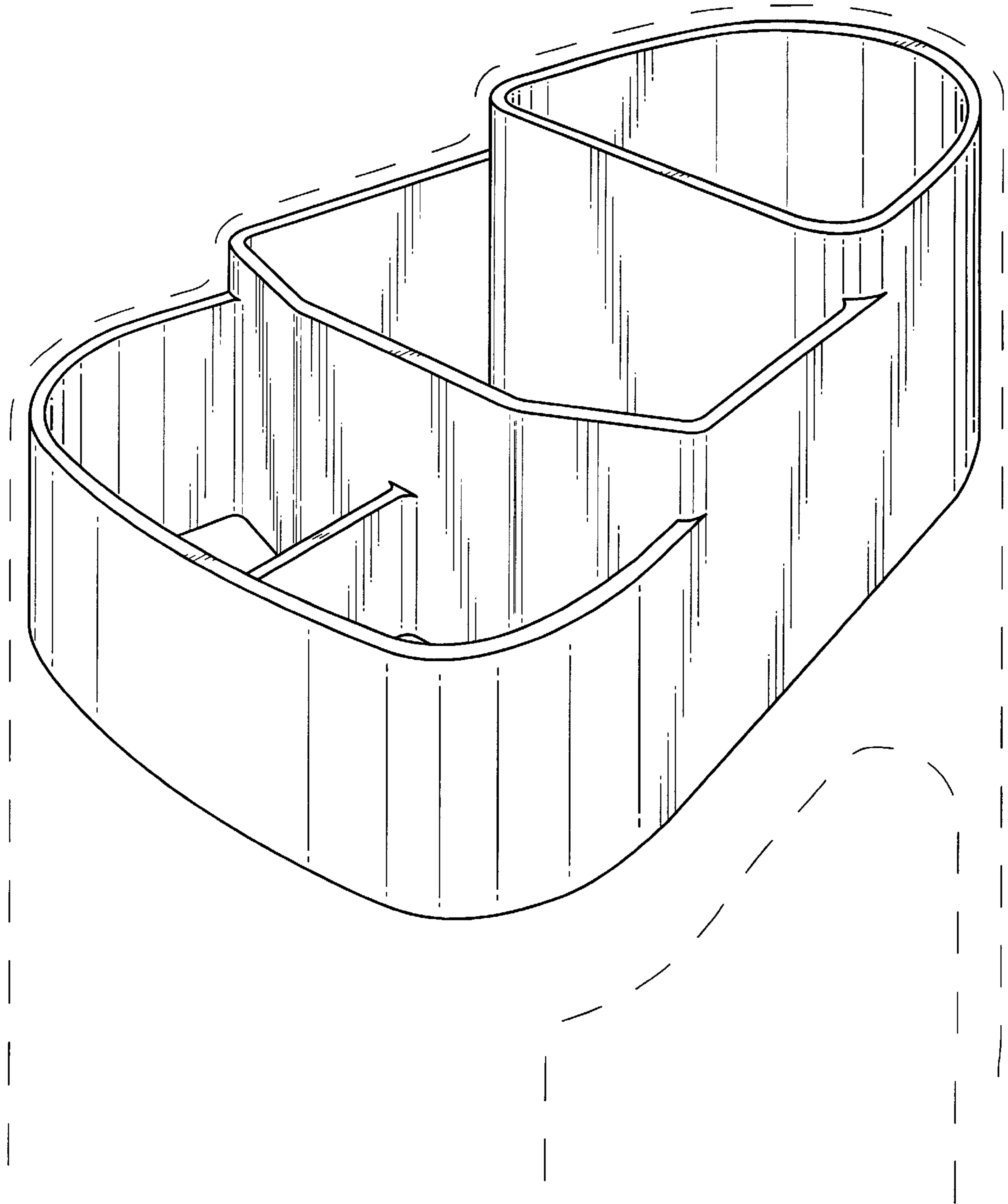
FIG. 6 is a bottom plan view shown on a reduced scale thereof; and,

FIG. 7 is a right, side elevation view shown on a reduced scale thereof.

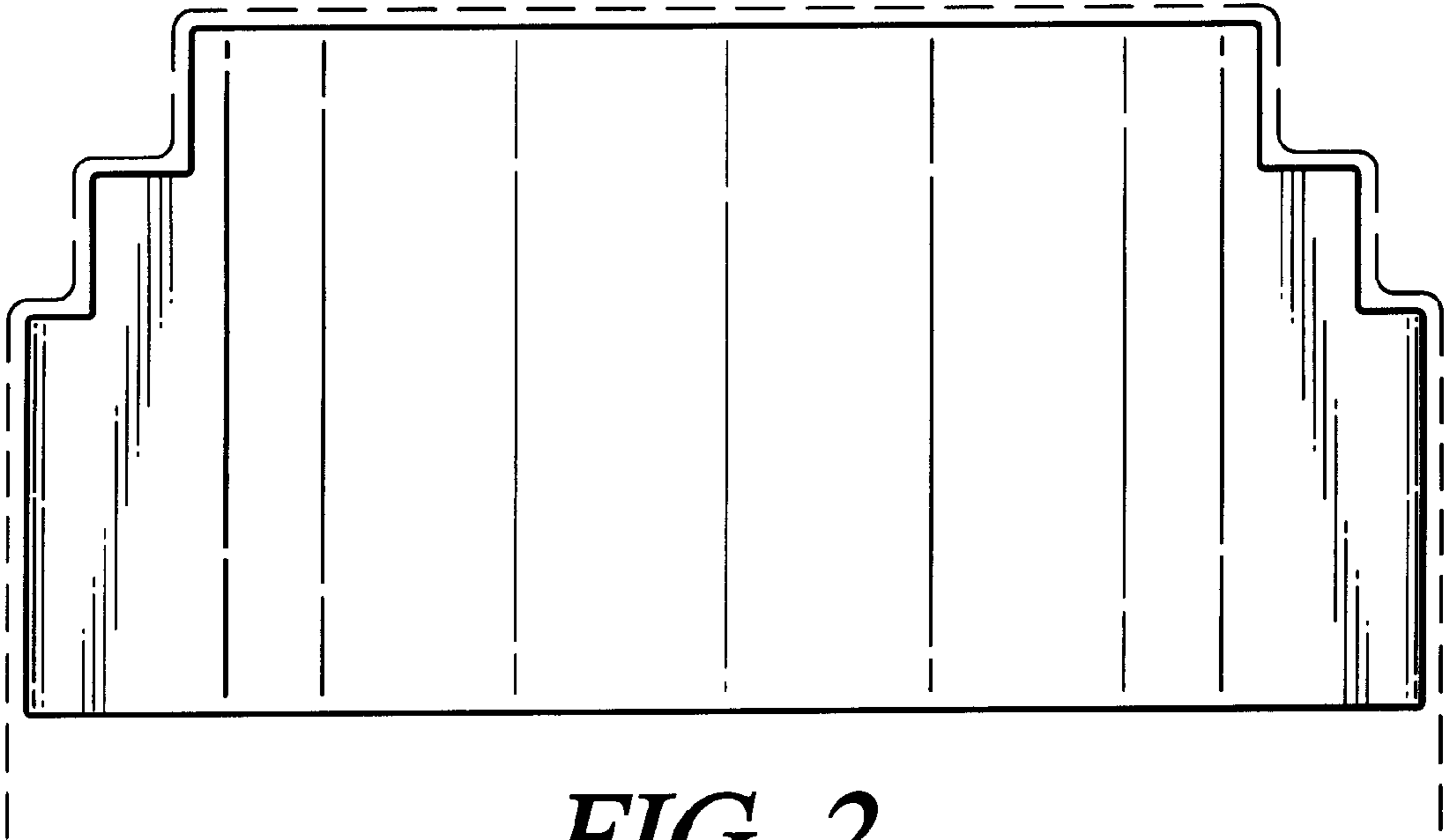
The broken line showing of a partial view of a golf bag is for illustrative purposes only and forms no part of the claimed design.

**1 Claim, 4 Drawing Sheets**

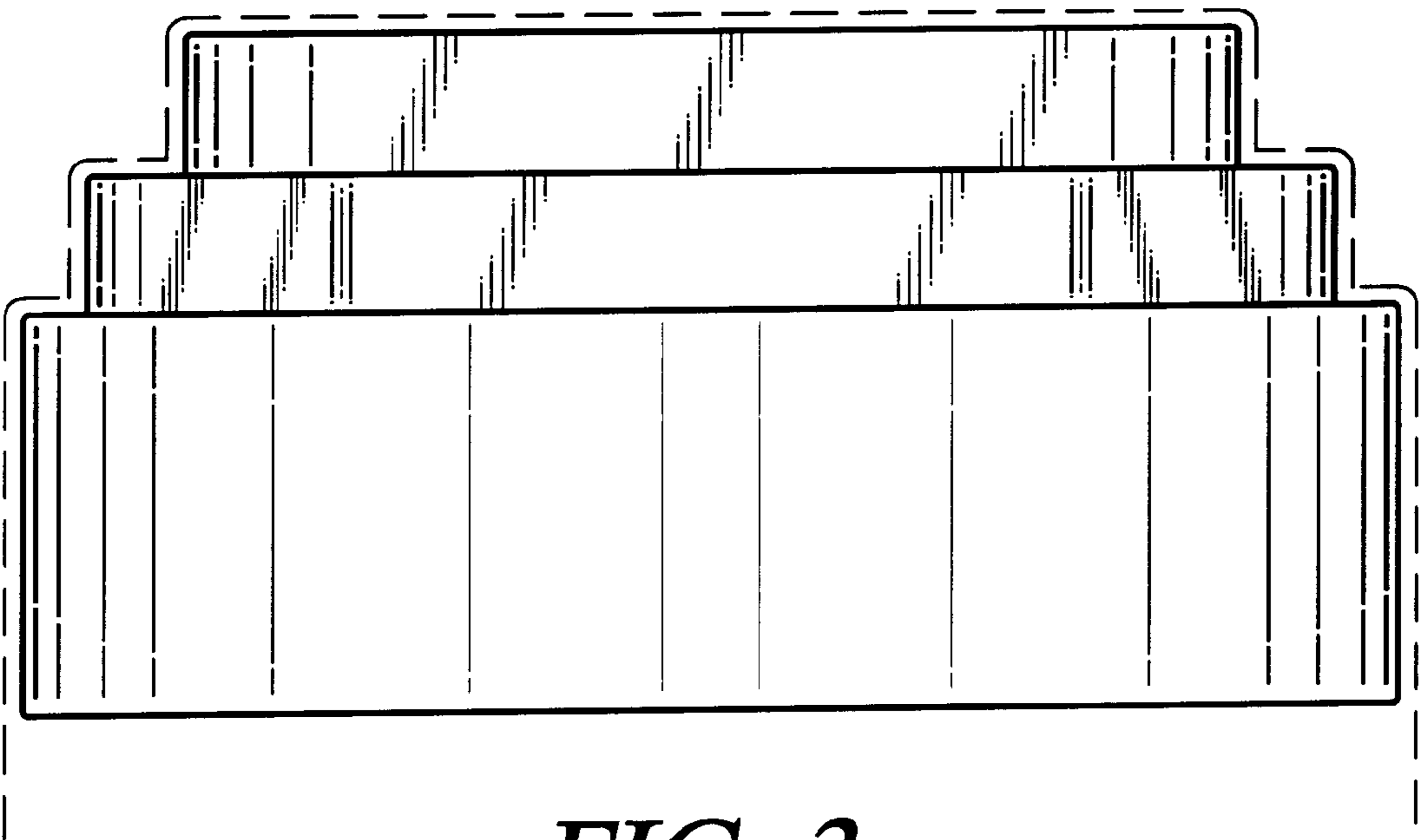




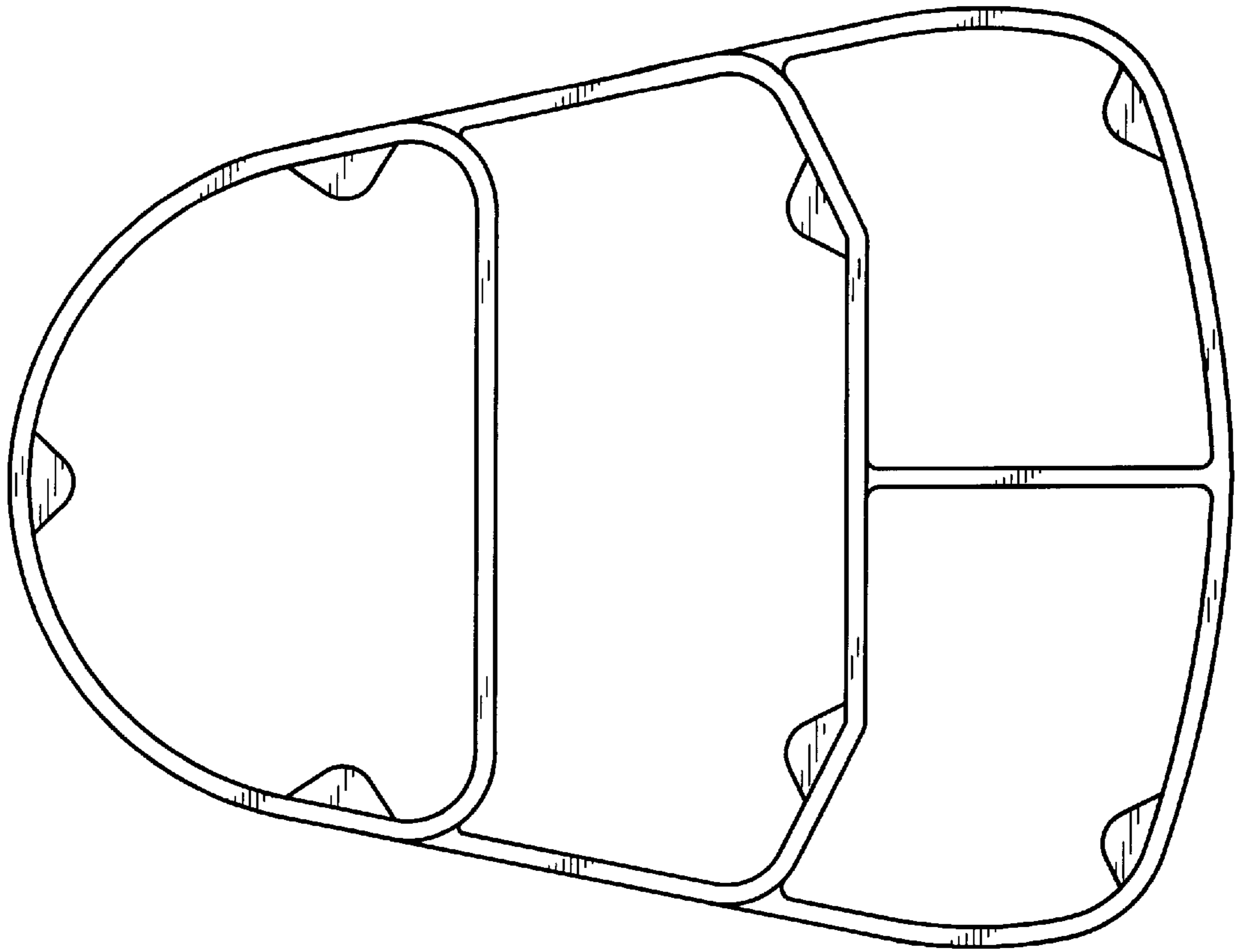
*FIG. 1*



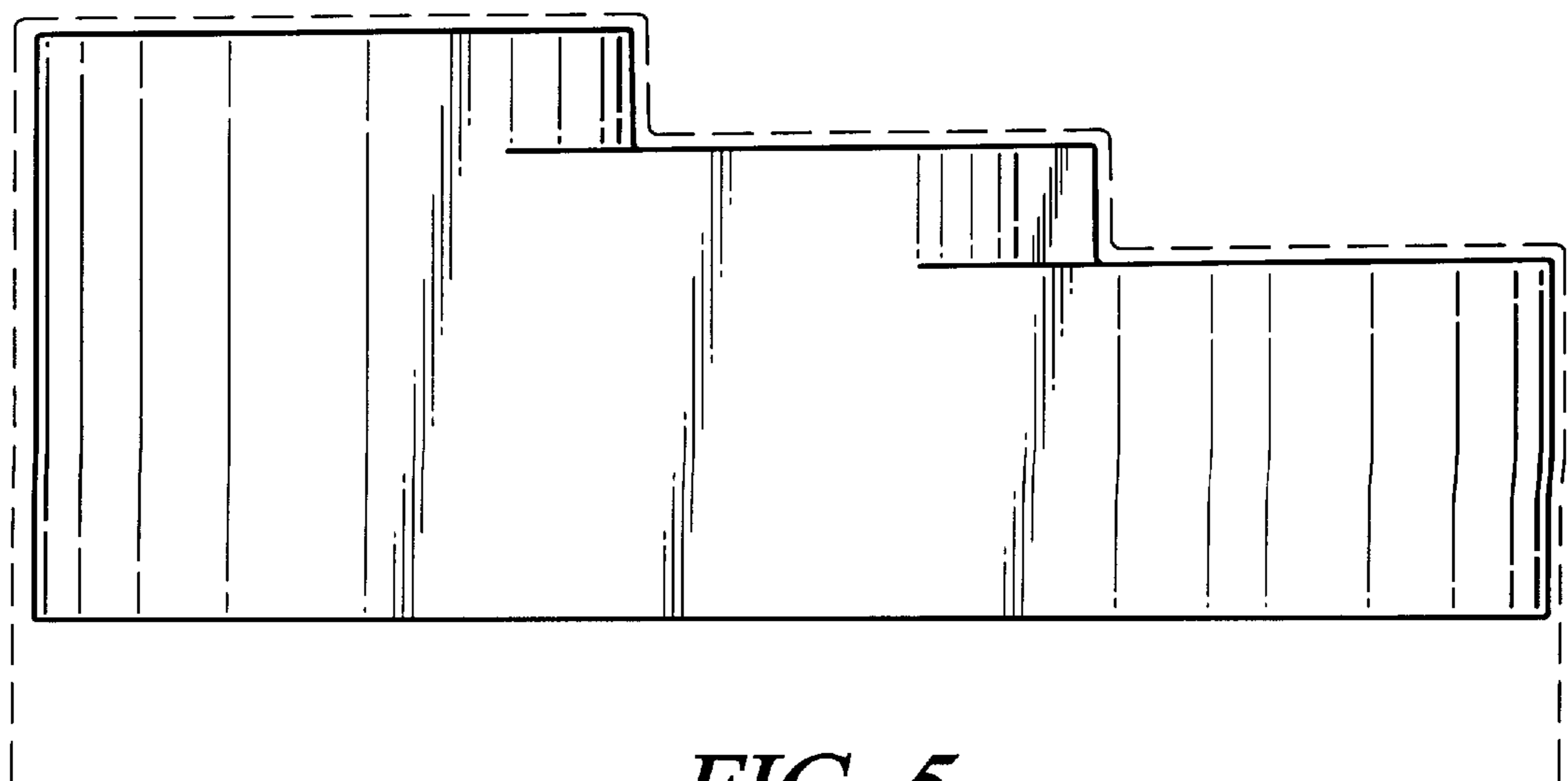
*FIG. 2*



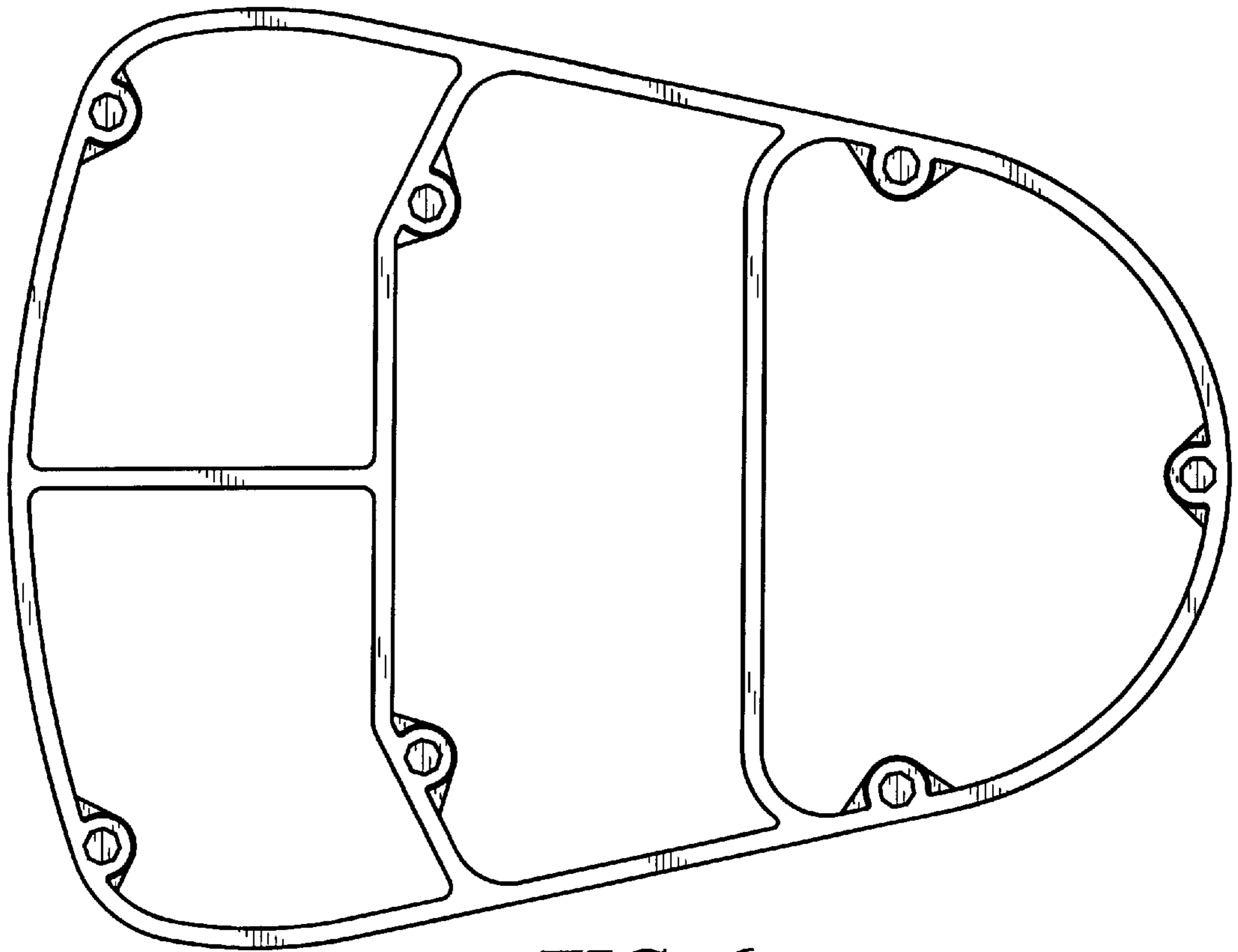
*FIG. 3*



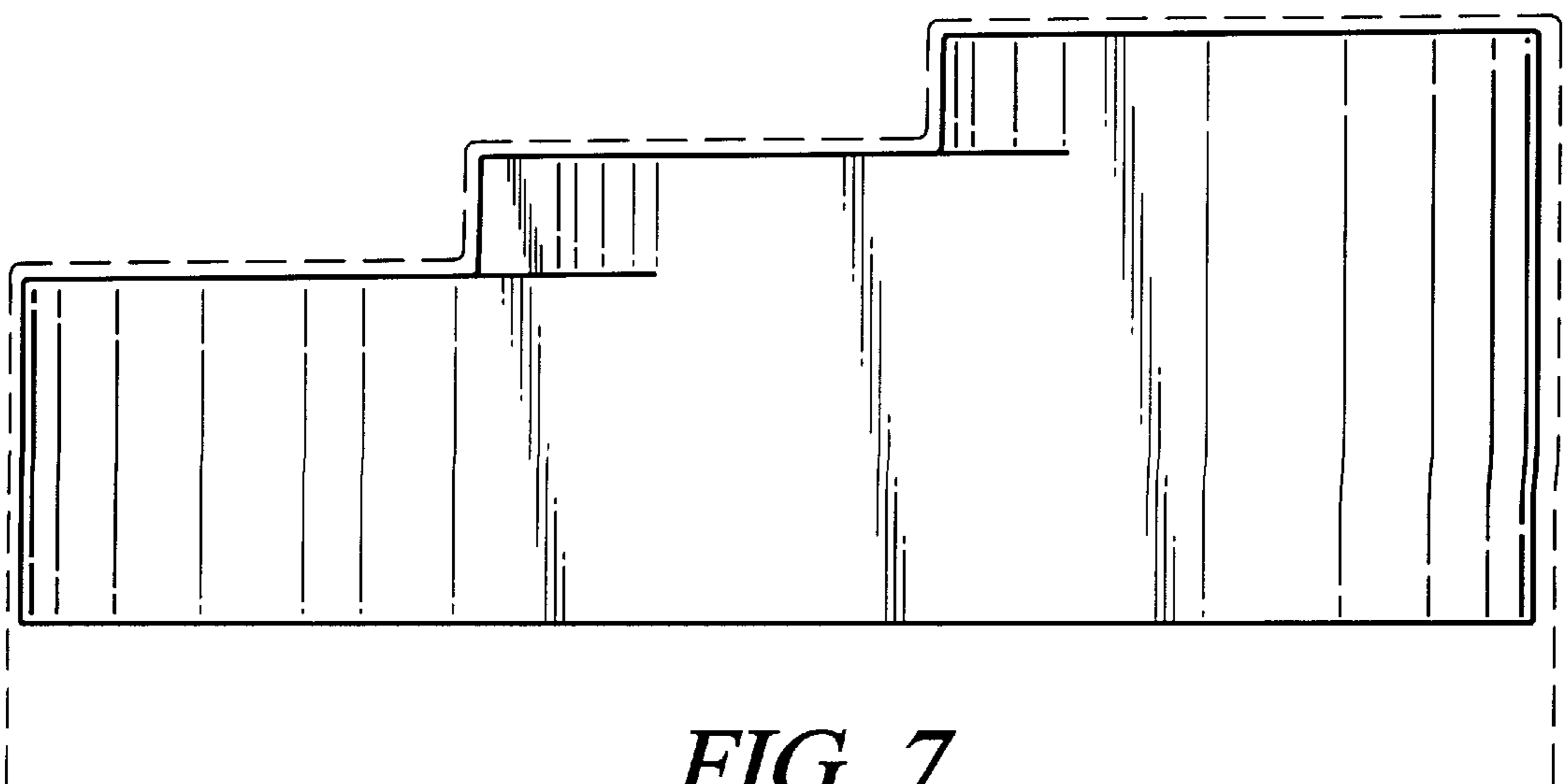
*FIG. 4*



*FIG. 5*



*FIG. 6*



*FIG. 7*