



US00D434893S

# United States Patent [19] Blanco

[11] Patent Number: Des. 434,893

[45] Date of Patent: \*\* Dec. 12, 2000

[54] CHILD CAR SLIPPER

[75] Inventor: Robert Blanco, West Long Branch, N.J.

[73] Assignee: Footgear Inc./a division of Wiesner Products, Inc., New York, N.Y.

[\*\*] Term: 14 Years

[21] Appl. No.: 29/103,549

[22] Filed: Apr. 16, 1999

[51] LOC (7) Cl. .... 02-04

[52] U.S. Cl. .... D2/898; D2/900

[58] Field of Search ..... D2/896-899, 900, D2/916-927, 947-960, 969, 972-975, 978; D6/597, 598, 601; 36/7.1 R, 7.2, 7.3, 7.5, 7.7, 10, 11, 11.5, 50.1, 94, 96, 100-107, 110, 112-114, 155, 160-163

[56] **References Cited**

U.S. PATENT DOCUMENTS

D. 261,195	10/1981	Weiss	.....	D2/898
D. 283,462	4/1986	Whitman	.....	D2/898
D. 294,765	3/1988	Otto	.....	D2/898
D. 307,507	5/1990	Del Vecchio, Jr. et al.	.....	D2/898
D. 352,380	11/1994	Oehring et al.	.....	D2/898

D. 375,613	11/1996	Humphrey	.....	D2/897
D. 375,828	11/1996	DeLaingie	.....	D2/898
D. 397,236	8/1998	Wilmont	.....	D2/954
D. 401,802	12/1998	Roth	.....	D2/601
D. 410,319	6/1999	Blanco	.....	D2/898

Primary Examiner—Louis S. Zarfes  
Assistant Examiner—Gregory Andoll  
Attorney, Agent, or Firm—Ezra Sutton

[57] **CLAIM**

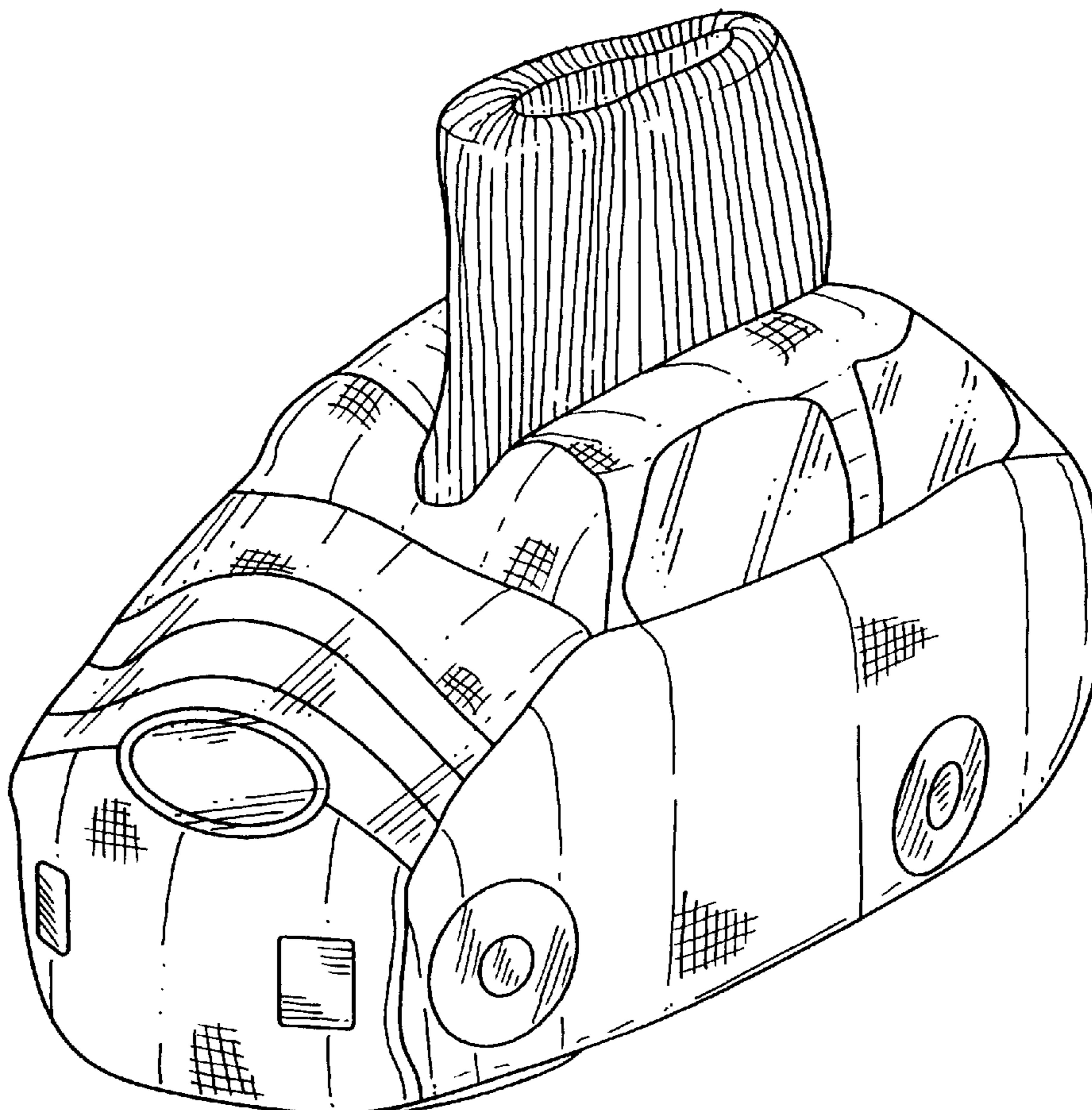
The ornamental design for a child car slipper, as shown and described.

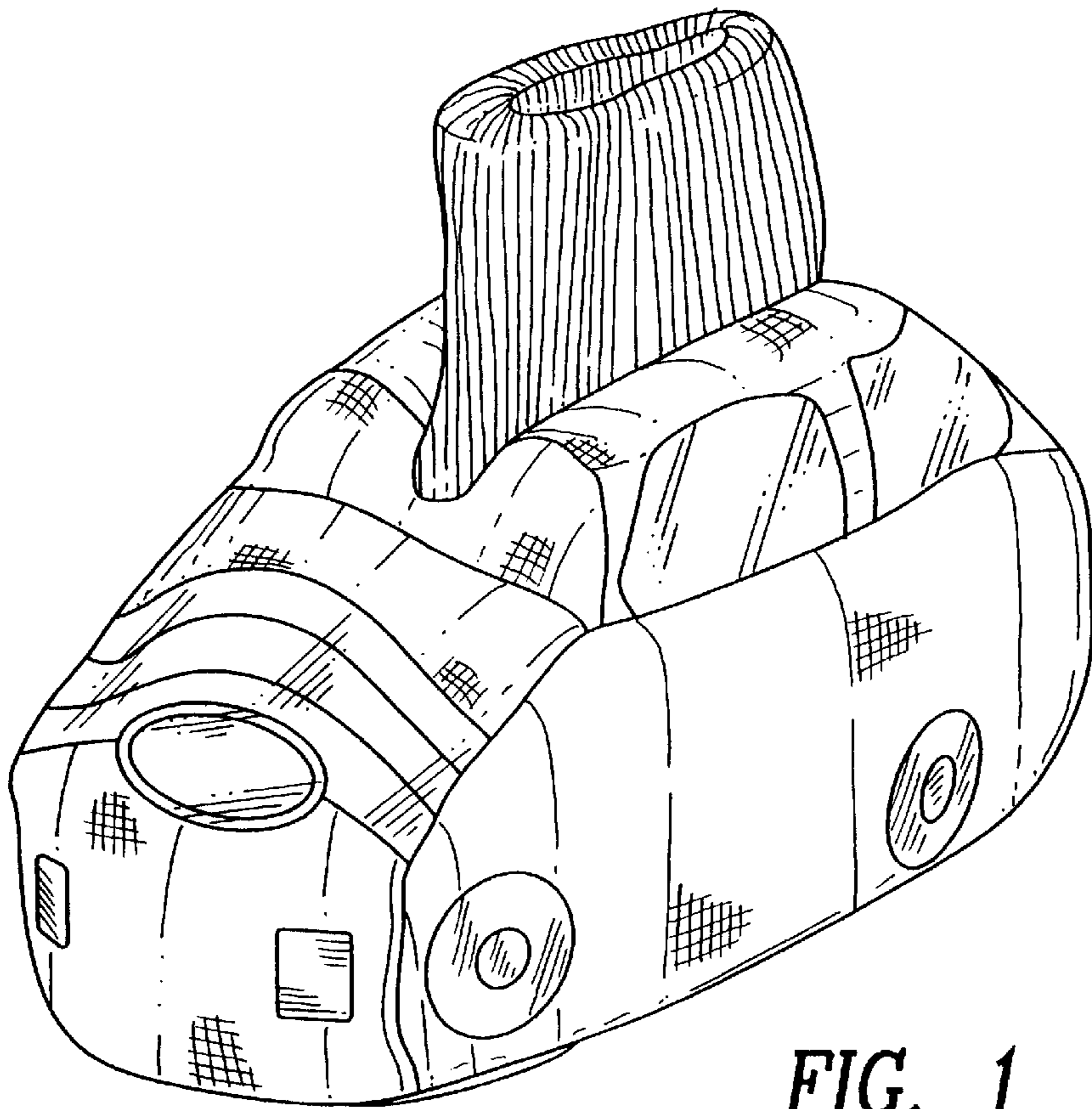
**DESCRIPTION**

FIG. 1 is a front perspective view of a child car slipper embodying my new design;  
FIG. 2 is a rear perspective view of a child car slipper embodying my new design;  
FIG. 3 is a front view thereof;  
FIG. 4 is a rear view thereof;  
FIG. 5 is a side view thereof, the other side view being mirror image thereof;  
FIG. 6 is a top view thereof; and,  
FIG. 7 is a bottom view thereof.

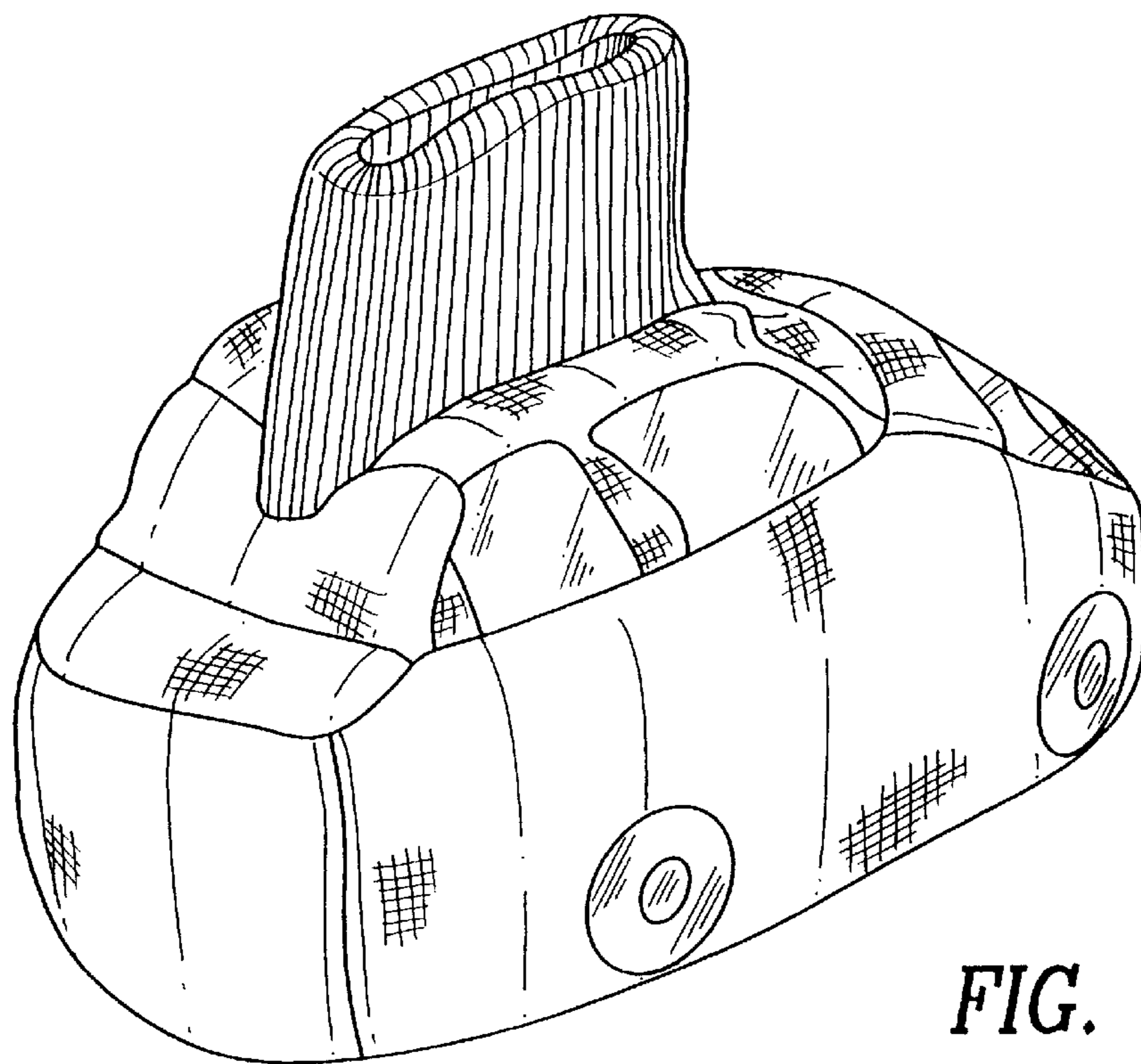
The broken lines in the Figures is for illustrative purposes only and forms no part of the claimed design.

**1 Claim, 4 Drawing Sheets**

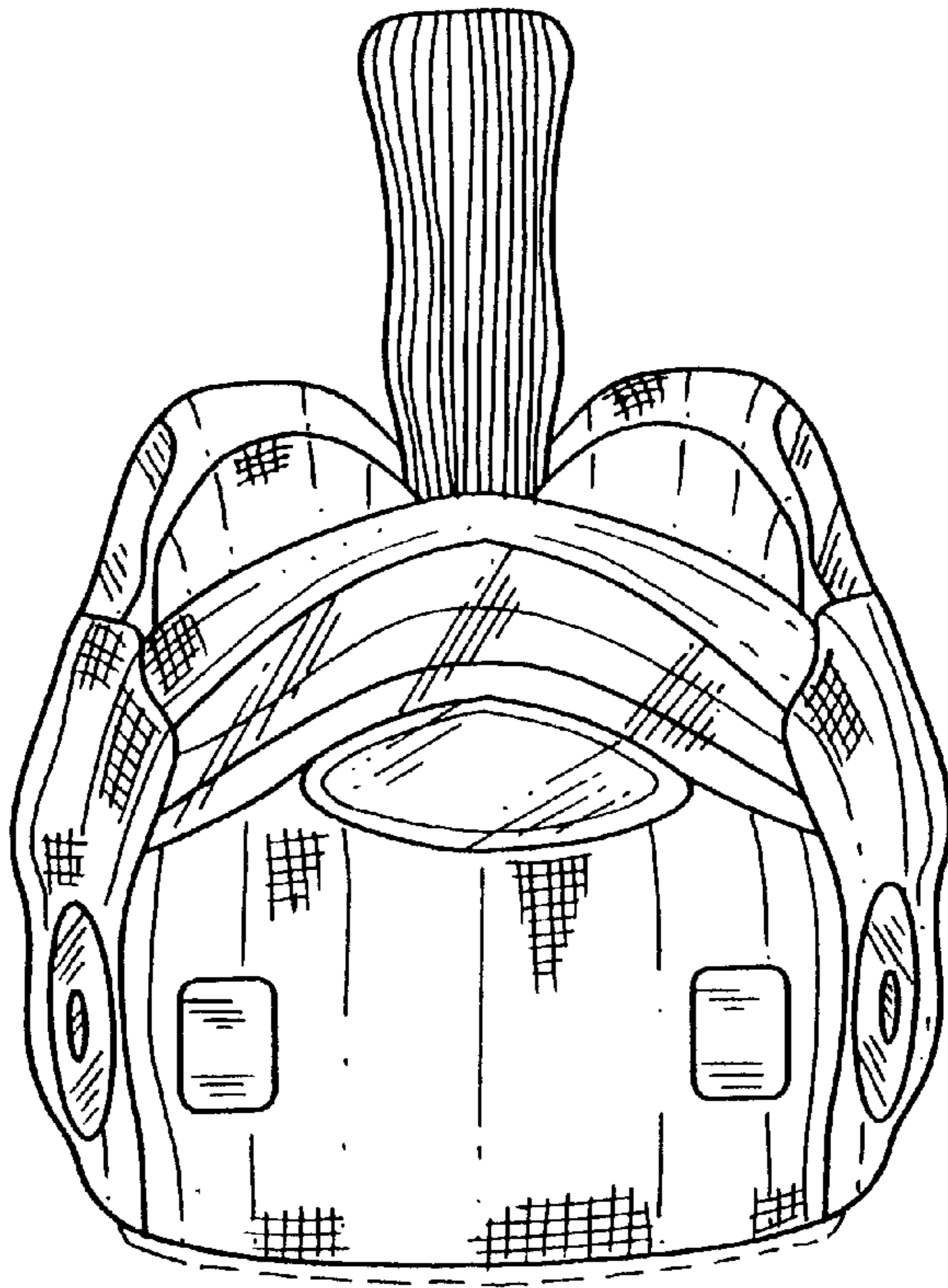




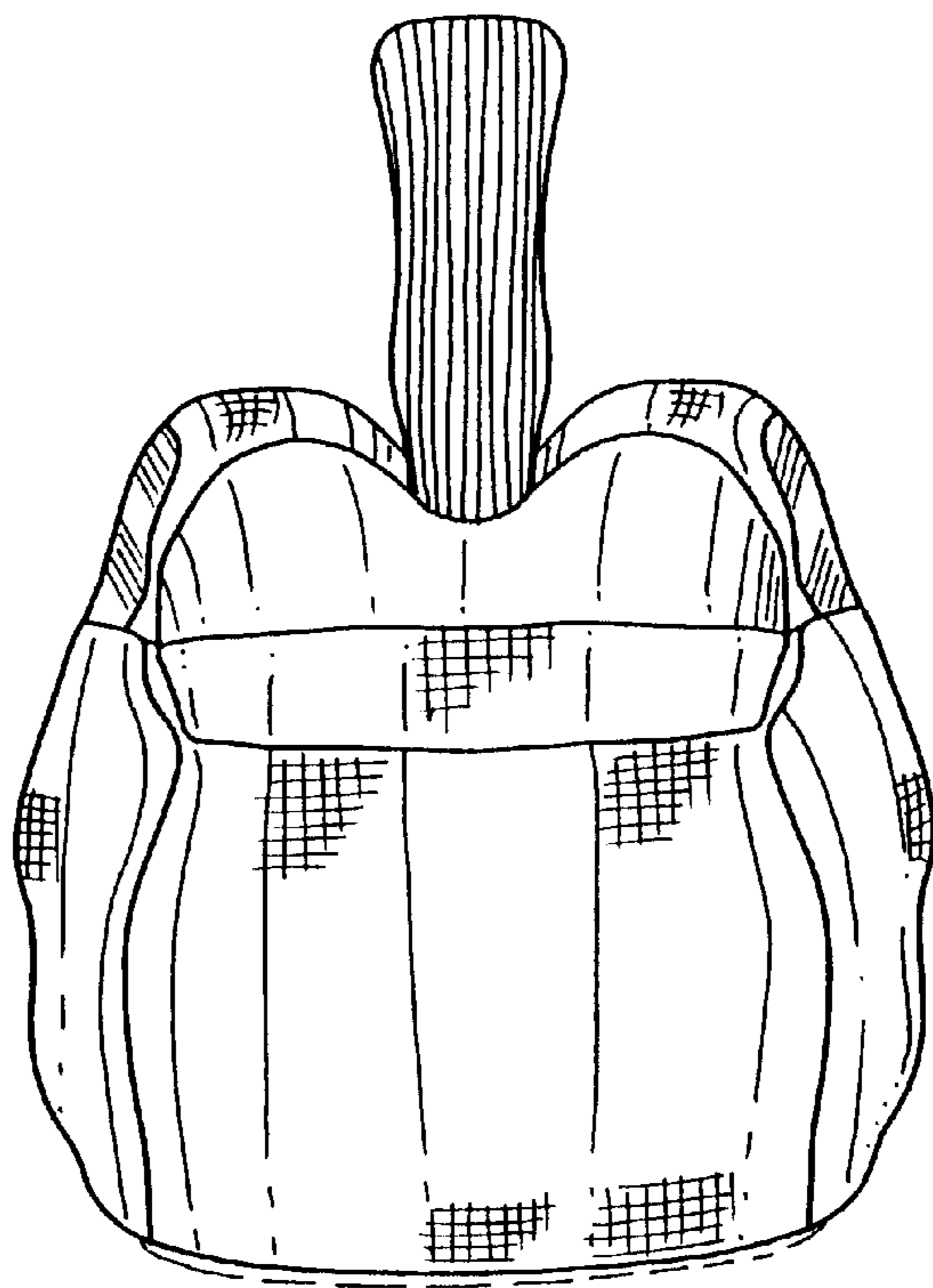
*FIG. 1*



*FIG. 2*

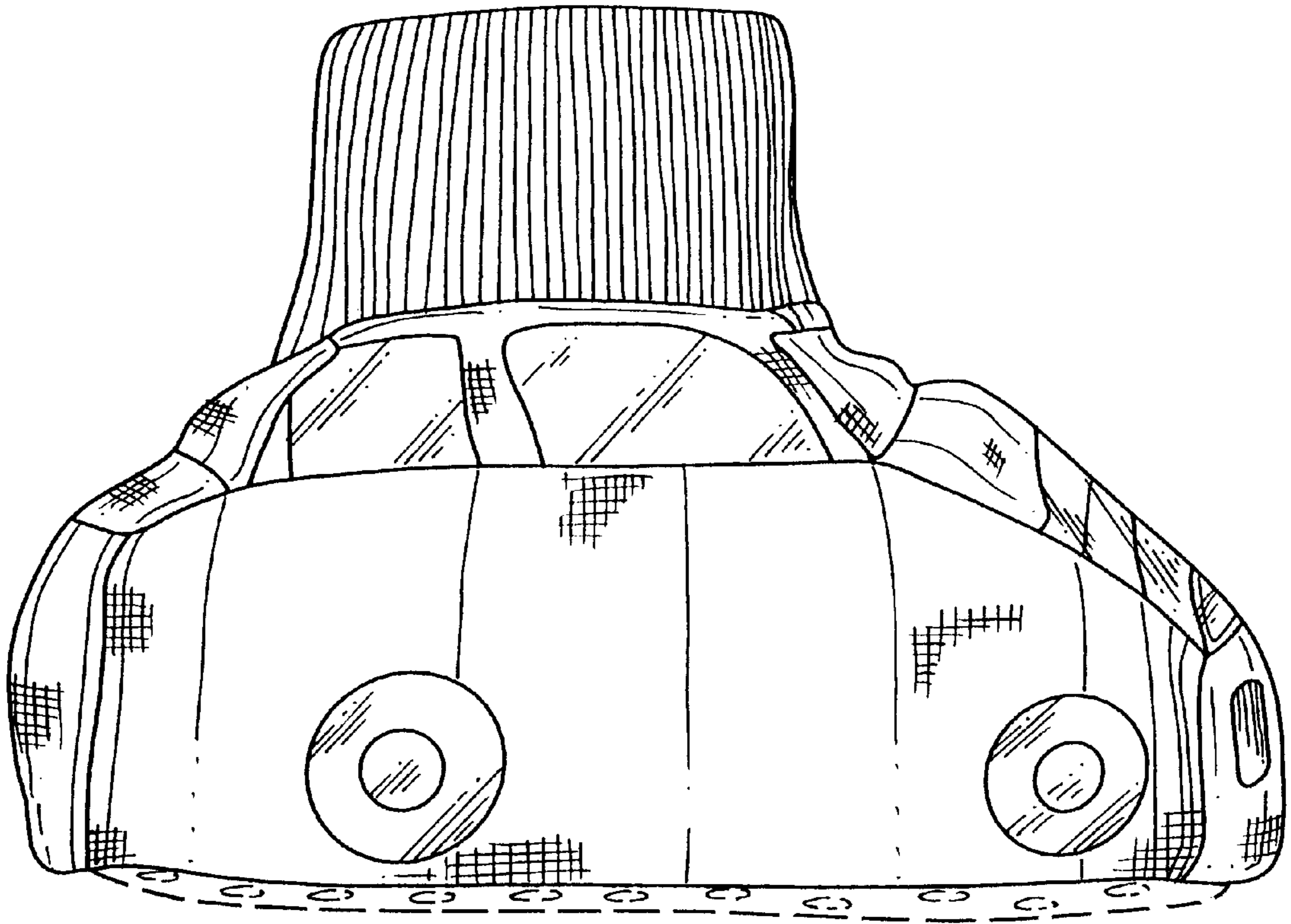


*FIG. 3*

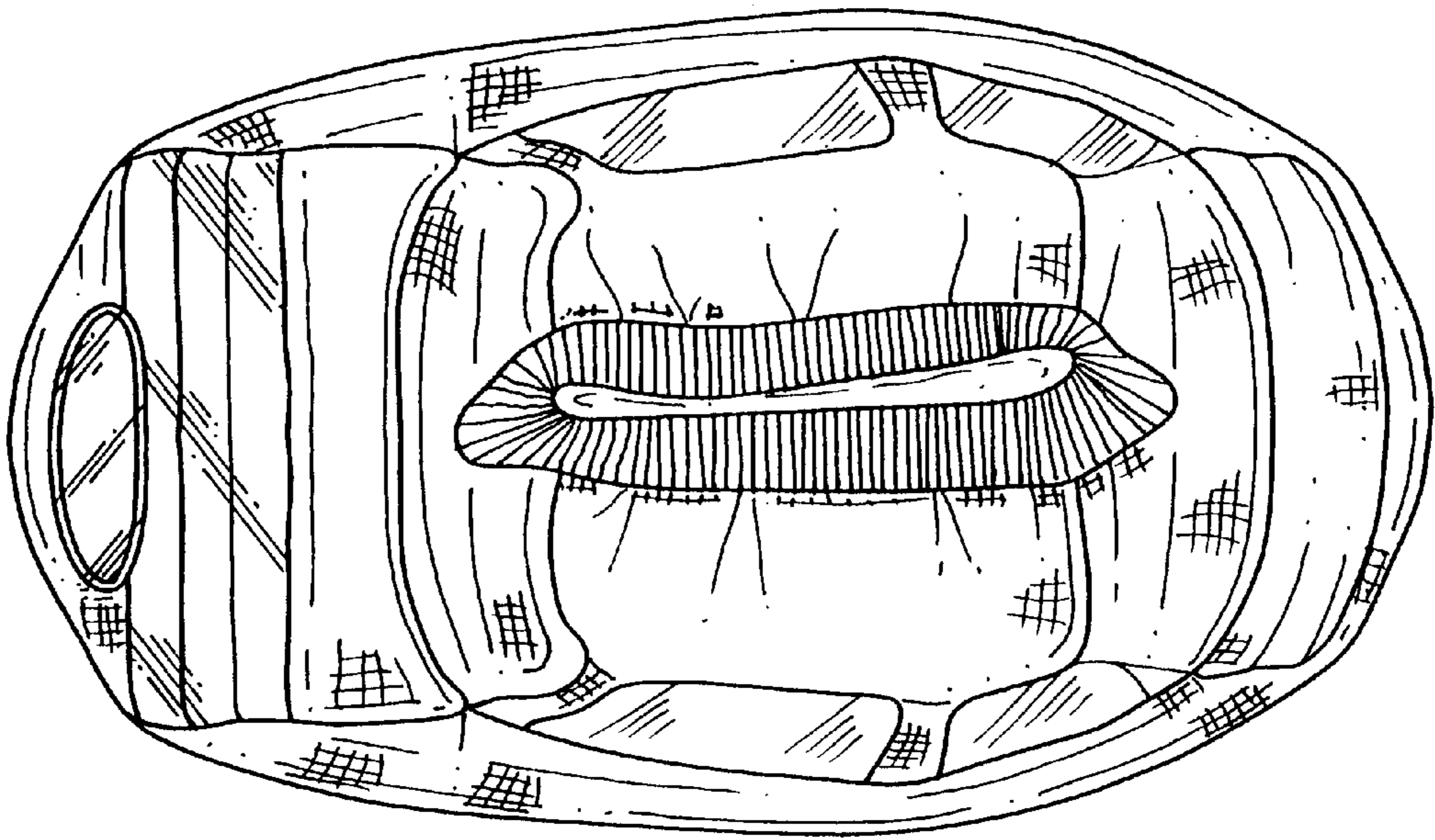


*FIG. 4*

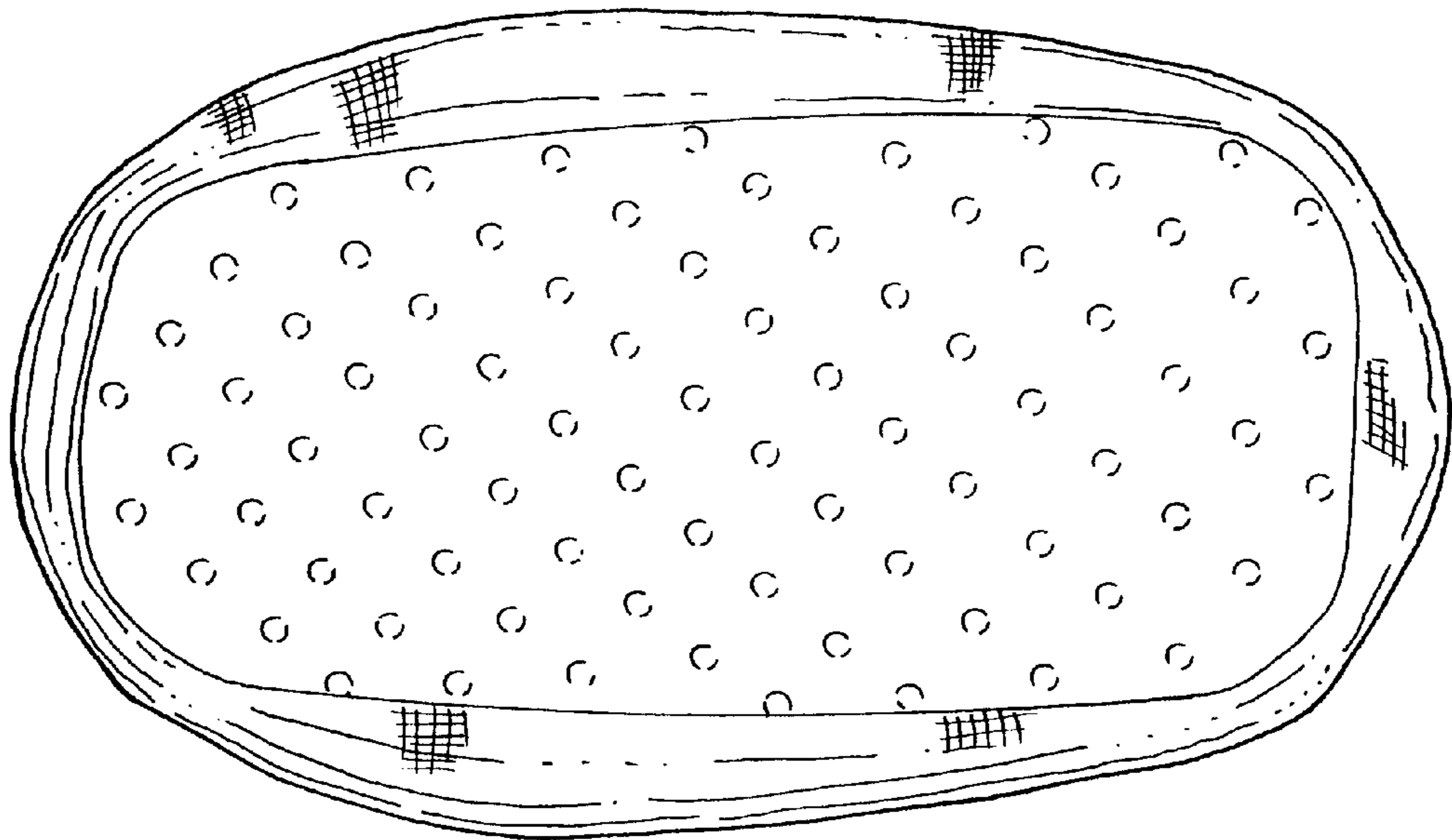




**FIG. 5**



**FIG. 6**



**FIG. 7**