



US00D434892S

# United States Patent [19] Roll

[11] **Patent Number: Des. 434,892**

[45] **Date of Patent: \*\* Dec. 5, 2000**

[54] **WINCH HOUSING CONSISTING OF TWO PARTS**

[75] Inventor: **Mike Roll**, Wausau, Wis.

[73] Assignee: **Fulton Performance Products, Inc.**, Mosinee, Wis.

[\*\*] Term: **14 Years**

[21] Appl. No.: **29/104,147**

[22] Filed: **Apr. 29, 1999**

[51] **LOC (7) Cl.** ..... **12-05**

[52] **U.S. Cl.** ..... **D34/33**

[58] **Field of Search** ..... D34/33, 28, 35;  
254/266, 374, 371, 372; 242/601, 613.1,  
613.2

[56] **References Cited**

**U.S. PATENT DOCUMENTS**

D. 262,008	11/1981	Smith et al.	.....	D34/33
D. 385,079	10/1997	Griffin	.....	D34/33
D. 395,114	6/1998	Wullmann	.....	D34/33
D. 407,883	4/1999	Okerlund et al.	.....	D34/33
2,225,845	12/1940	Richolt	.....	254/266
5,110,093	5/1992	Rampinski et al.	.....	254/266

*Primary Examiner*—Cynthia E. Ramirez

*Attorney, Agent, or Firm*—Edgar A. Zarins; Lloyd D. Doigan

[57] **CLAIM**

The ornamental design for a winch housing consisting of two parts, as shown and described.

**DESCRIPTION**

FIG. 1 is a perspective view of a winch housing consisting of two parts showing my new design;

FIG. 2 is a front elevational view of the first part of the winch housing, the second part not being shown for convenience of illustration;

FIG. 3 is a bottom plan view thereof;

FIG. 4 is a top plan view thereof;

FIG. 5 is left side view thereof;

FIG. 6 is a right side view thereof;

FIG. 7 is a front elevational view of the second part of the winch housing, the first part not being shown for convenience of illustration;

FIG. 8 is a top plan view thereof;

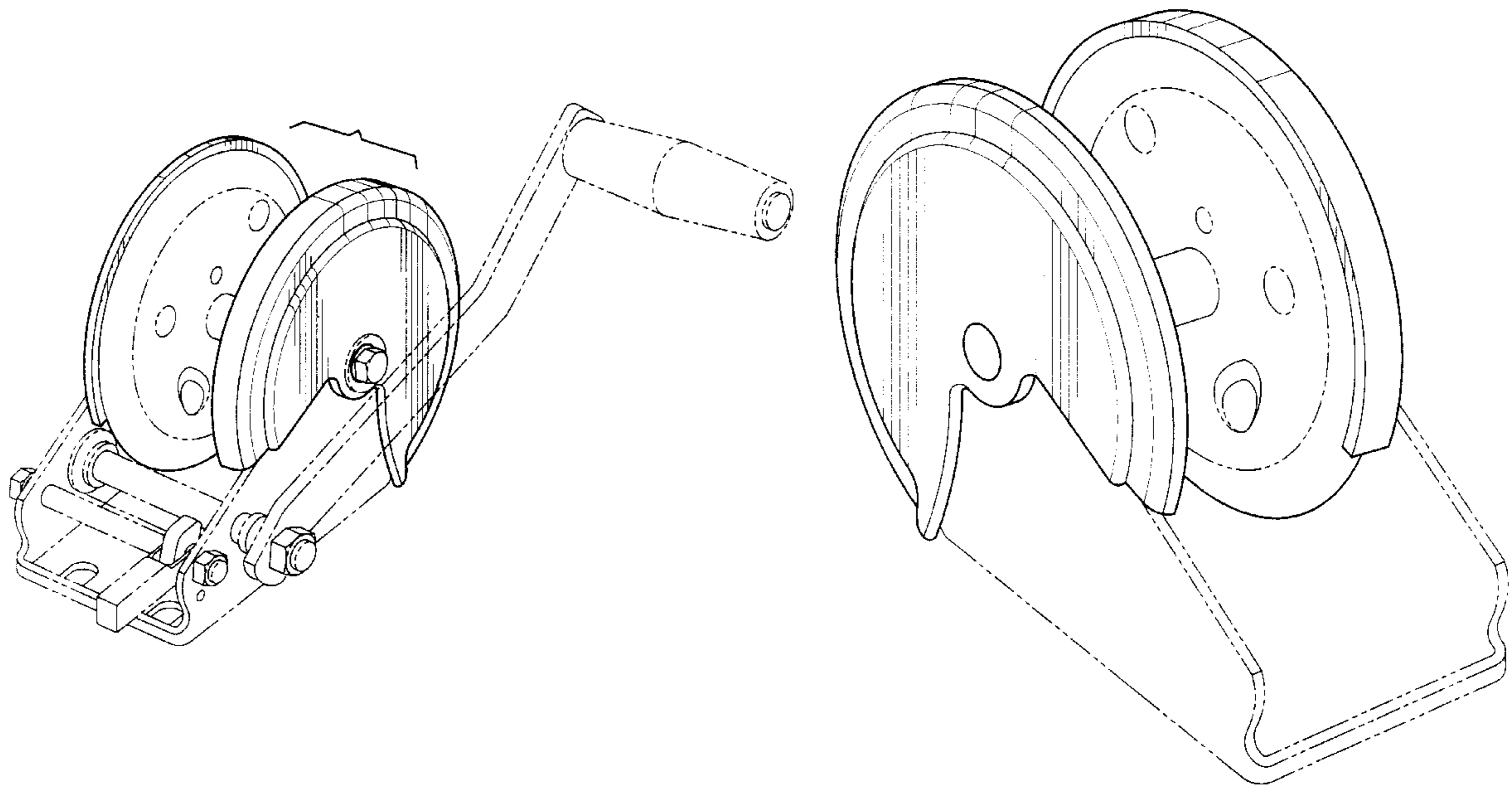
FIG. 9 is a bottom plan view thereof;

FIG. 10 is left side view thereof;

FIG. 11 is a right side view thereof; and,

FIG. 12 is a reverse perspective view of the winch housing. The broken line showing of a handle and hardware is for illustrative purposes only and forms no part of the claimed design.

**1 Claim, 3 Drawing Sheets**



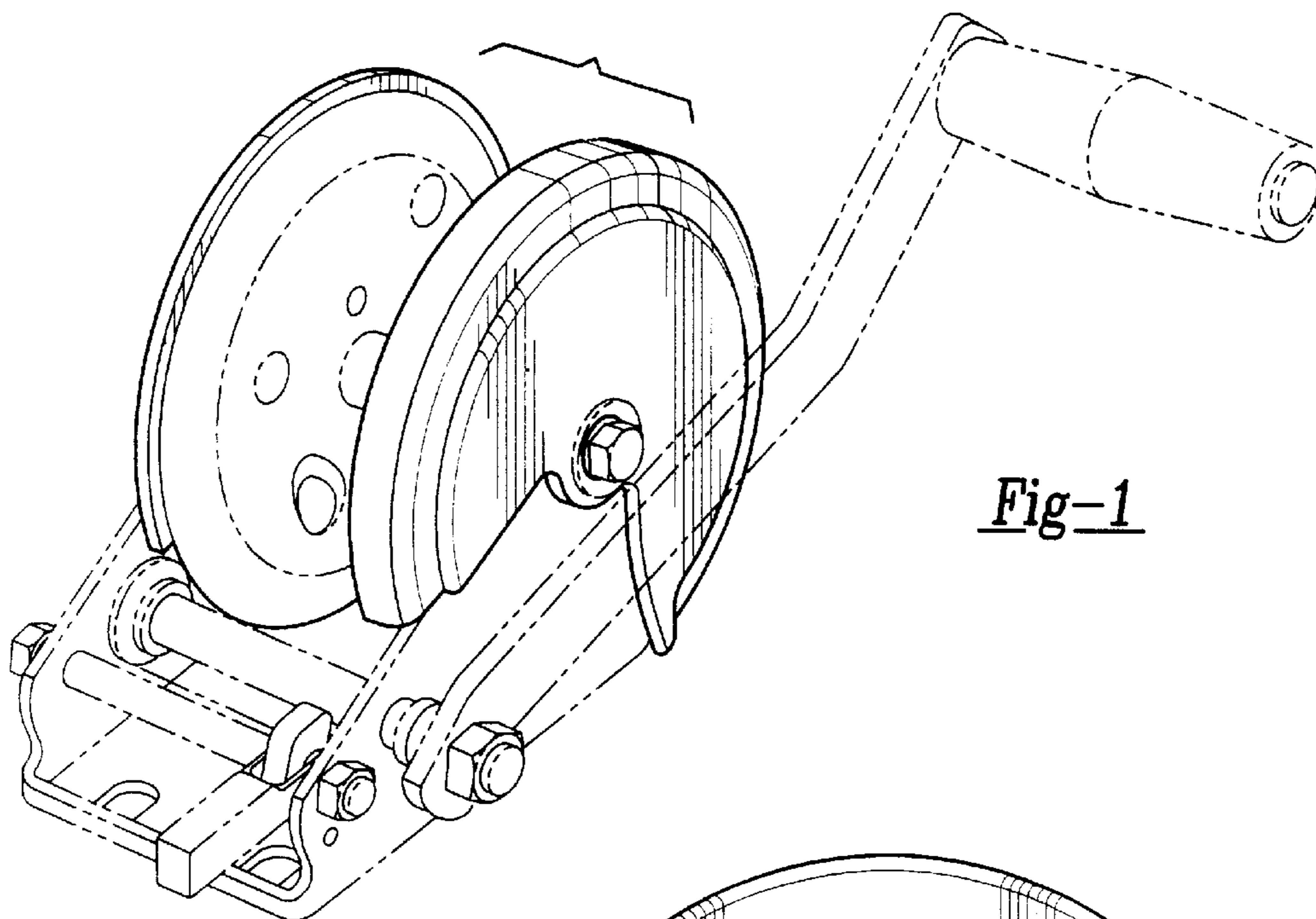


Fig-1

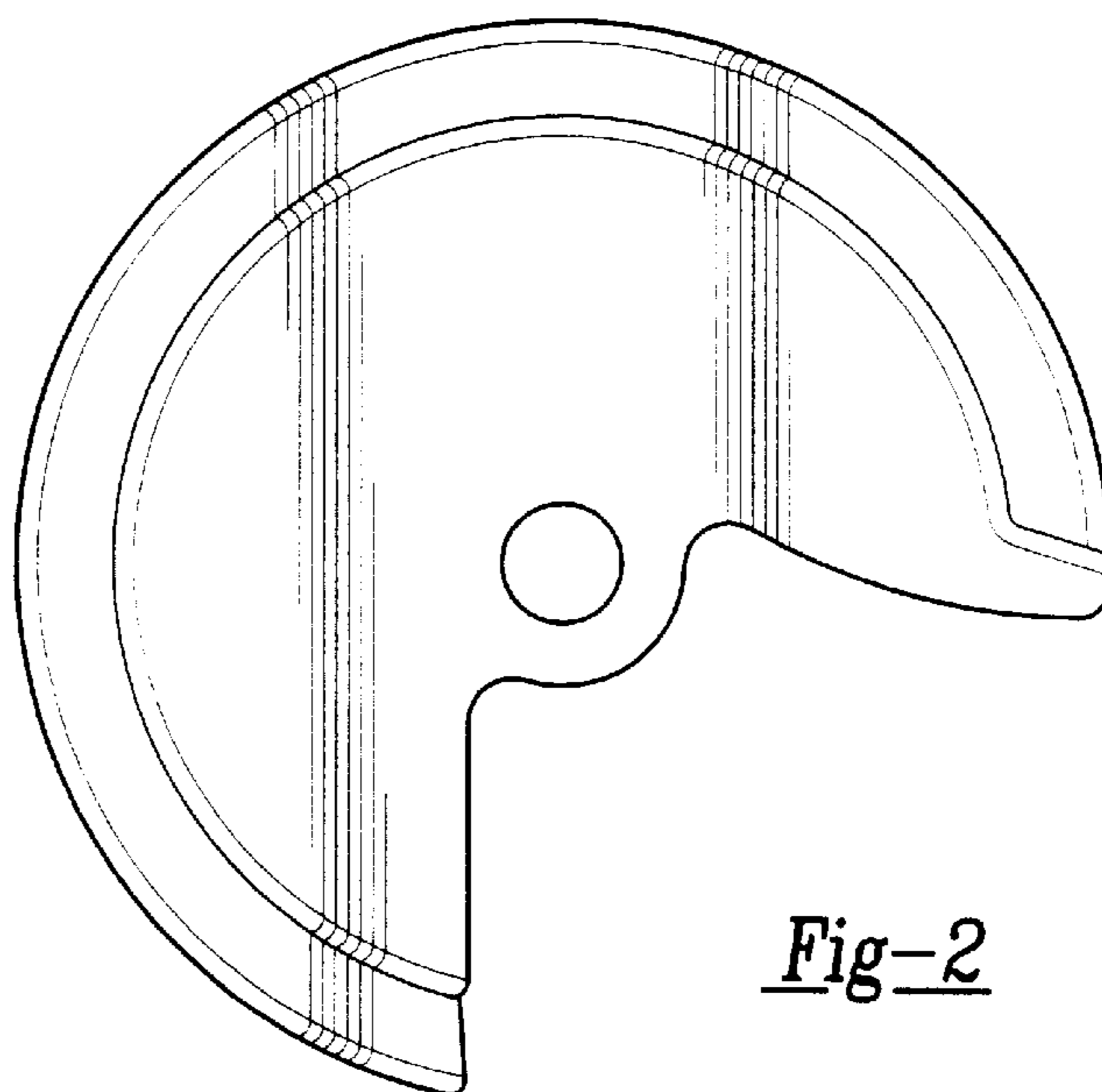


Fig-2

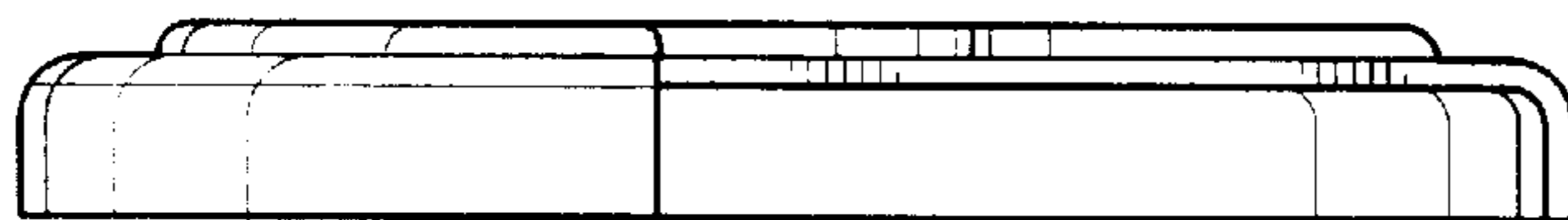


Fig-3

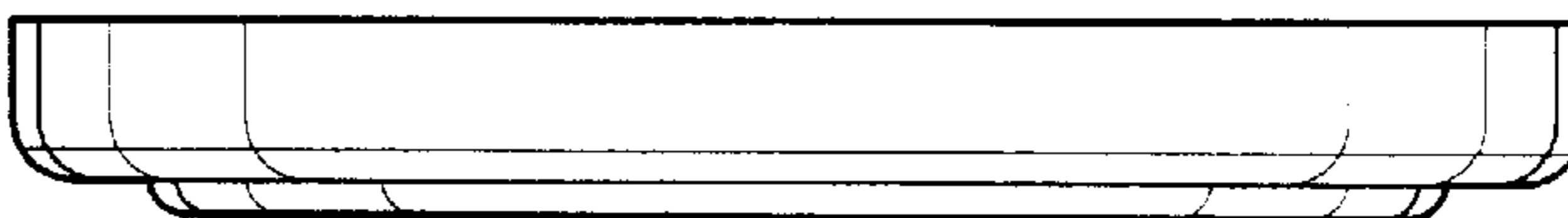


Fig-4

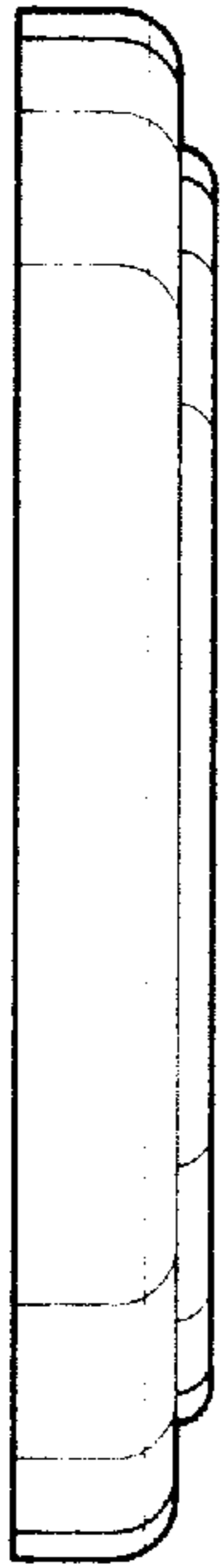


Fig-5

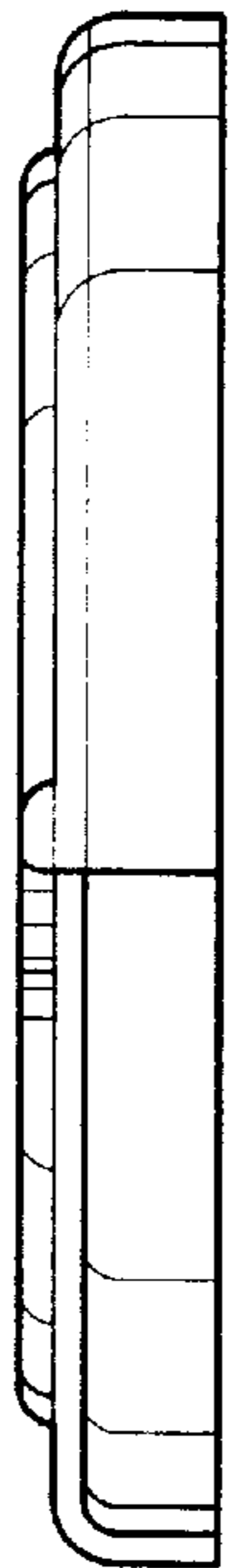


Fig-6

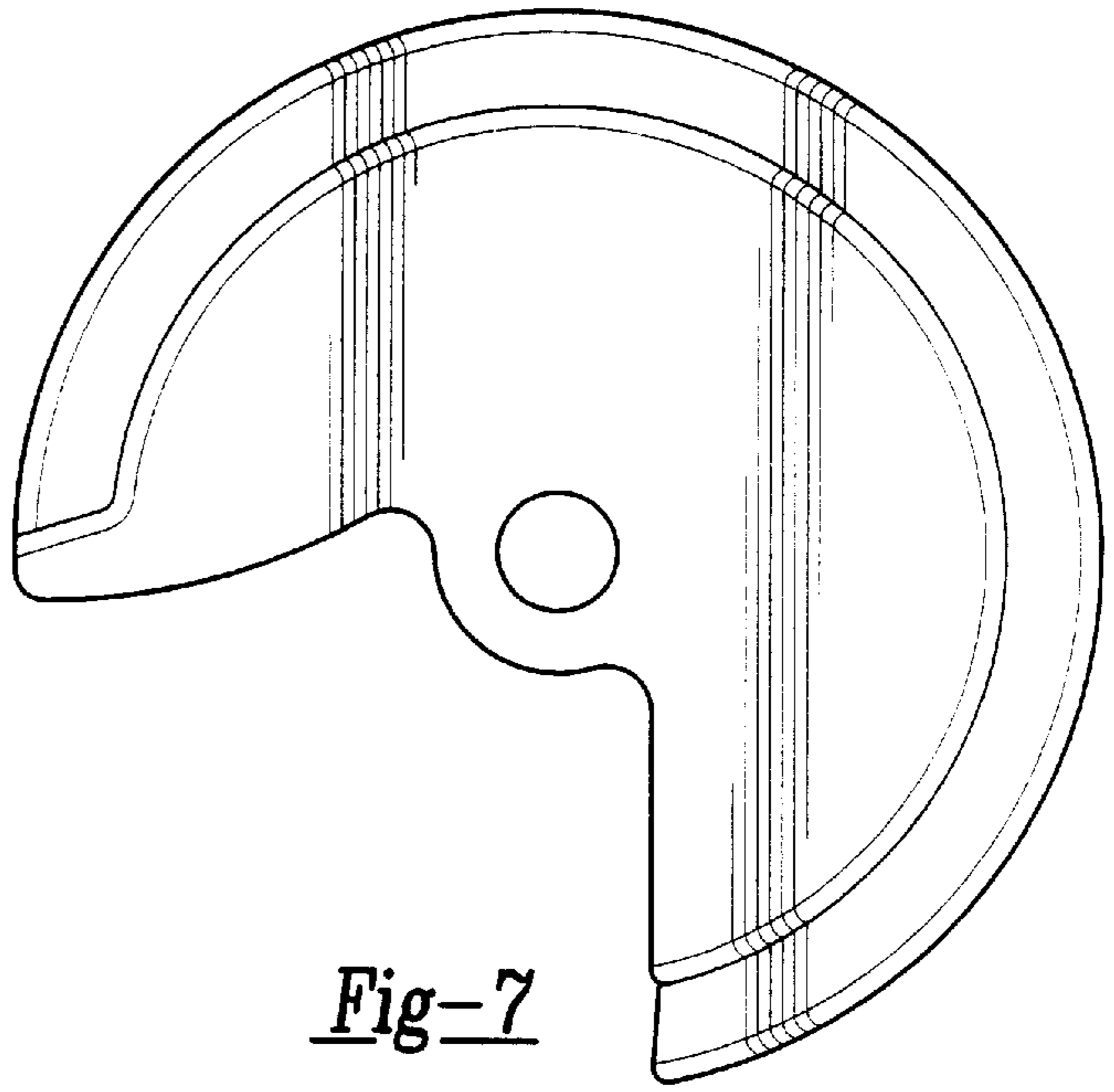


Fig-7

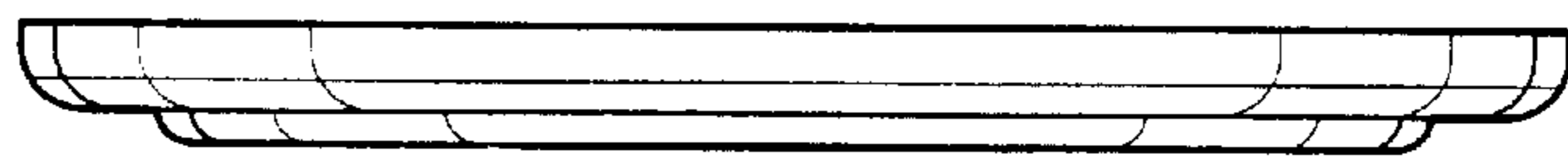


Fig-8

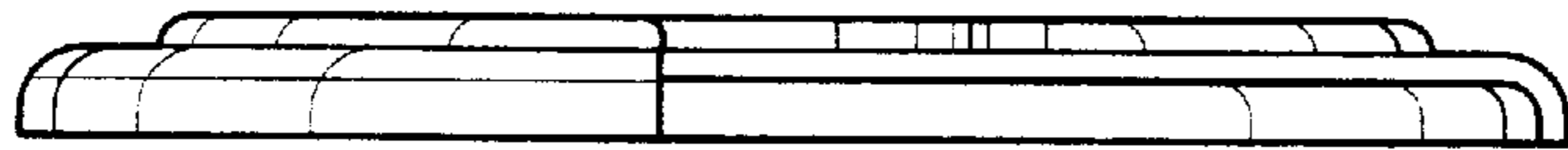


Fig-9

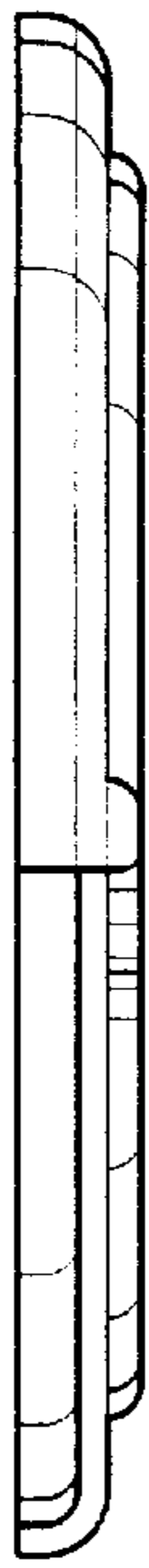


Fig-10

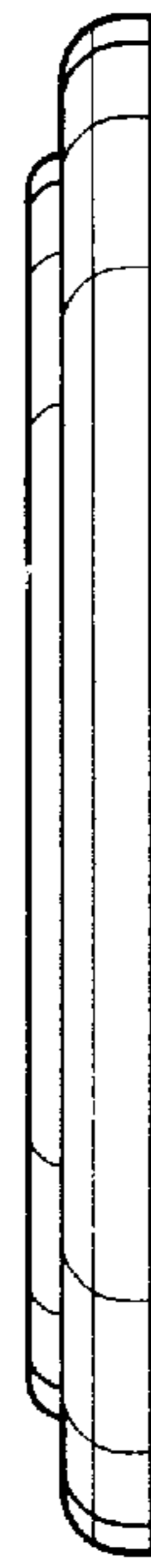


Fig-11

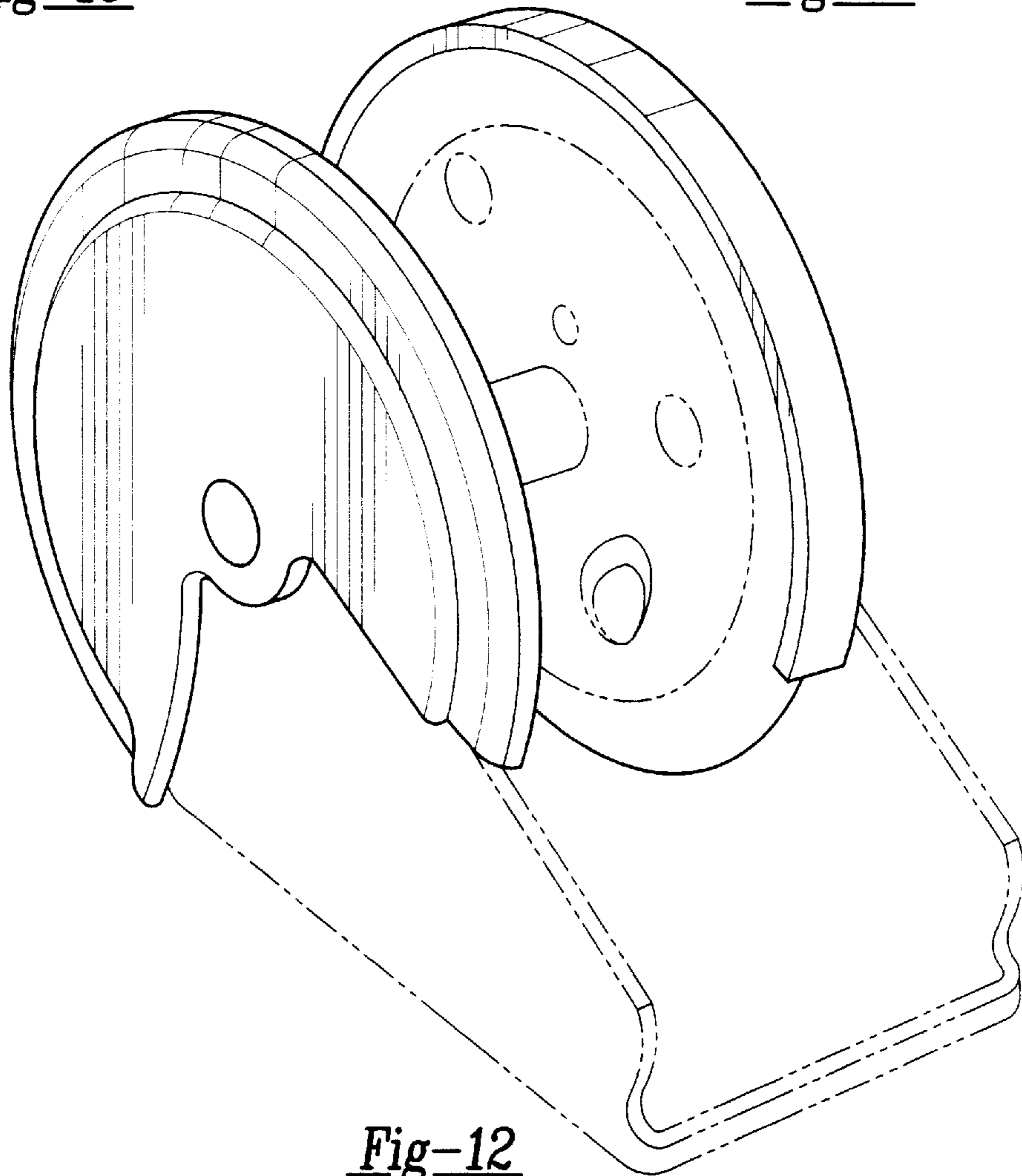


Fig-12