

US00D434891S

# United States Patent [19]

**Bolcerek et al.**

[11] **Patent Number: Des. 434,891**

[45] **Date of Patent: \*\* Dec. 5, 2000**

[54] **RAZOR BLADE DISPOSAL UNIT**

2,451,382 10/1948 Davis ..... 206/359 X  
2,641,358 6/1953 Santo ..... 206/359 X

[75] Inventors: **Richard L. Bolcerek; Timothy R. Blotzer**, both of Concord, Calif.

*Primary Examiner*—Brian N. Vinson  
*Attorney, Agent, or Firm*—Ray K. Shahani, Esq.

[73] Assignee: **Cutsaver, LLC**, Strawberry, Calif.

[57] **CLAIM**

[\*\*] Term: **14 Years**

We claim the ornamental design for a razor blade disposal unit, as shown and described.

[21] Appl. No.: **29/115,261**

### DESCRIPTION

[22] Filed: **Dec. 9, 1999**

### Related U.S. Application Data

[63] Continuation of application No. 09/181,121, Oct. 28, 1998, abandoned.

FIG. 1 is a perspective view as seen from the top, front and left side of a razor blade disposal unit showing our new design;

[51] **LOC (7) Cl.** ..... **09-09**

FIG. 2 is a perspective view as seen from the top, rear and left side thereof;

[52] **U.S. Cl.** ..... **D34/1**

FIG. 3 is a front side elevational view thereof;

[58] **Field of Search** ..... D6/512, 515, 526;  
D3/901; D28/73; D34/1; D24/131; 206/352,  
354, 359, 360, 364, 365, 366

FIG. 4 is a back side elevational view thereof;

FIG. 5 is a right side elevational view thereof;

FIG. 6 is a left side elevational view thereof;

FIG. 7 is a top side elevational view thereof;

FIG. 8 is a left side elevational view thereof; and,

FIG. 9 is a perspective view as seen from the top, rear and left side thereof.

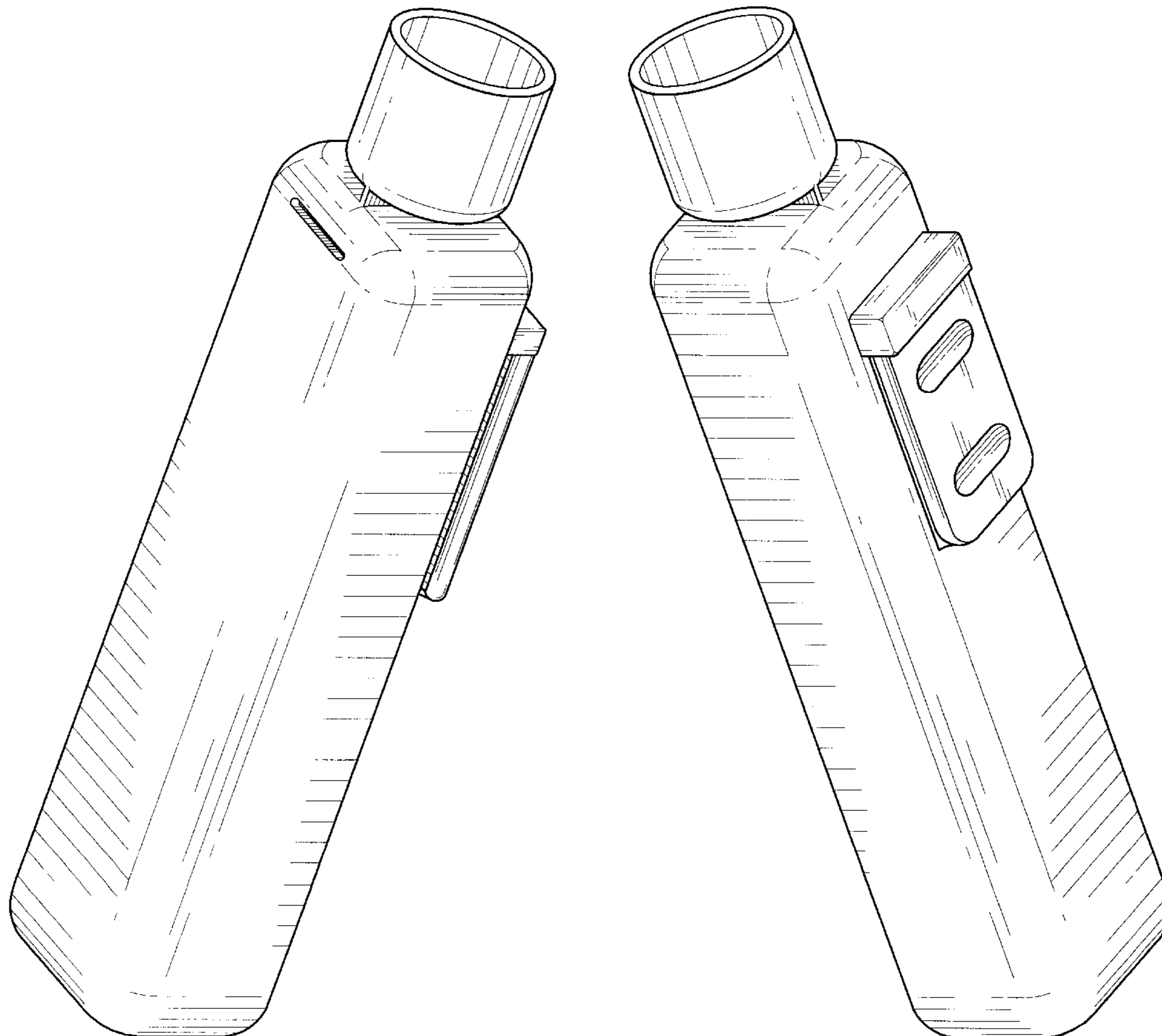
[56] **References Cited**

### U.S. PATENT DOCUMENTS

D. 328,810 8/1992 Boothe et al. .... D24/131 X  
D. 338,438 8/1993 Morgan ..... D34/1  
1,910,374 5/1933 Williams ..... 206/359

The broken lines showing new and used razor blades are for illustrative purposes only and form no part of the claimed design.

**1 Claim, 6 Drawing Sheets**



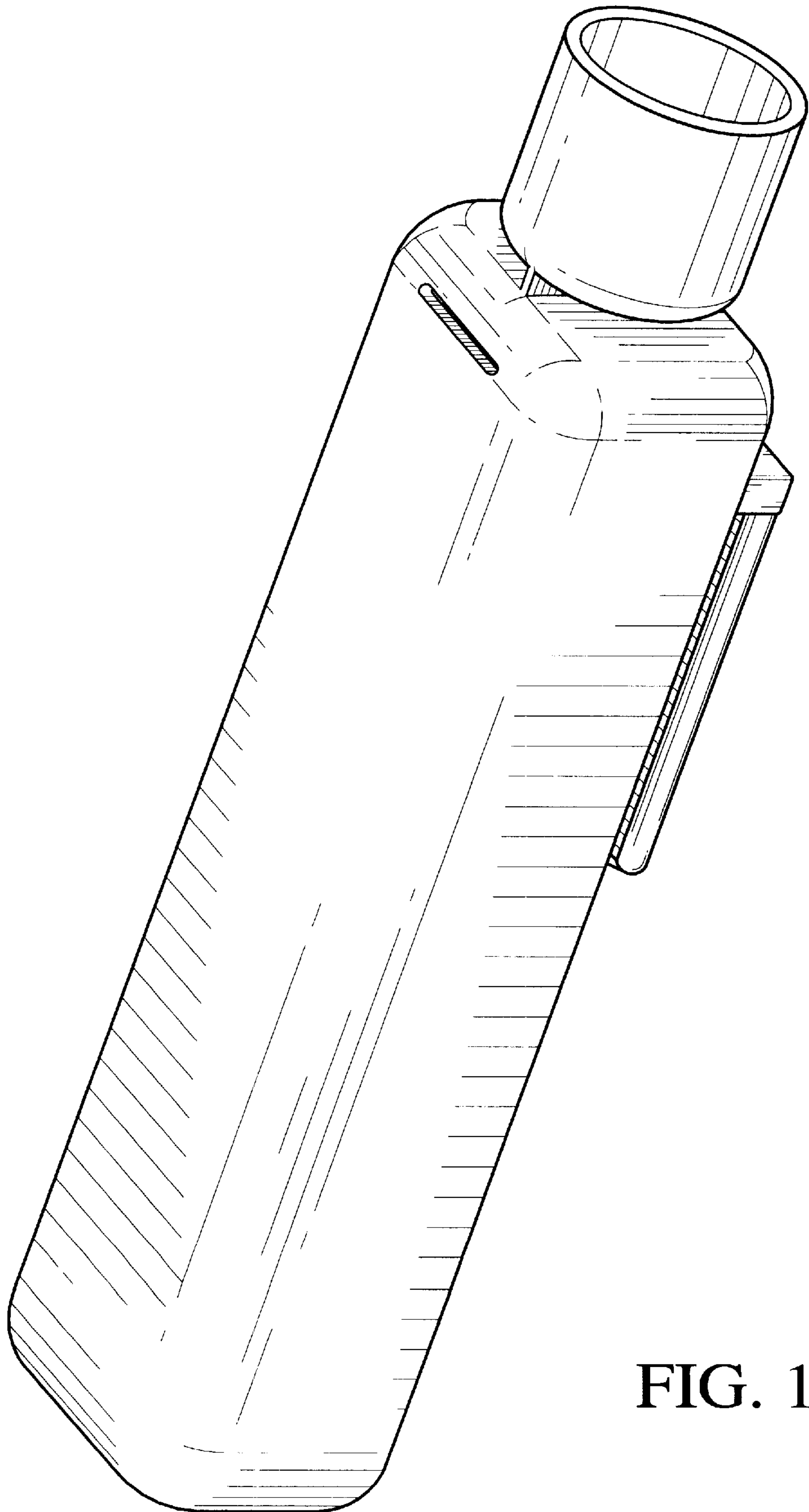


FIG. 1

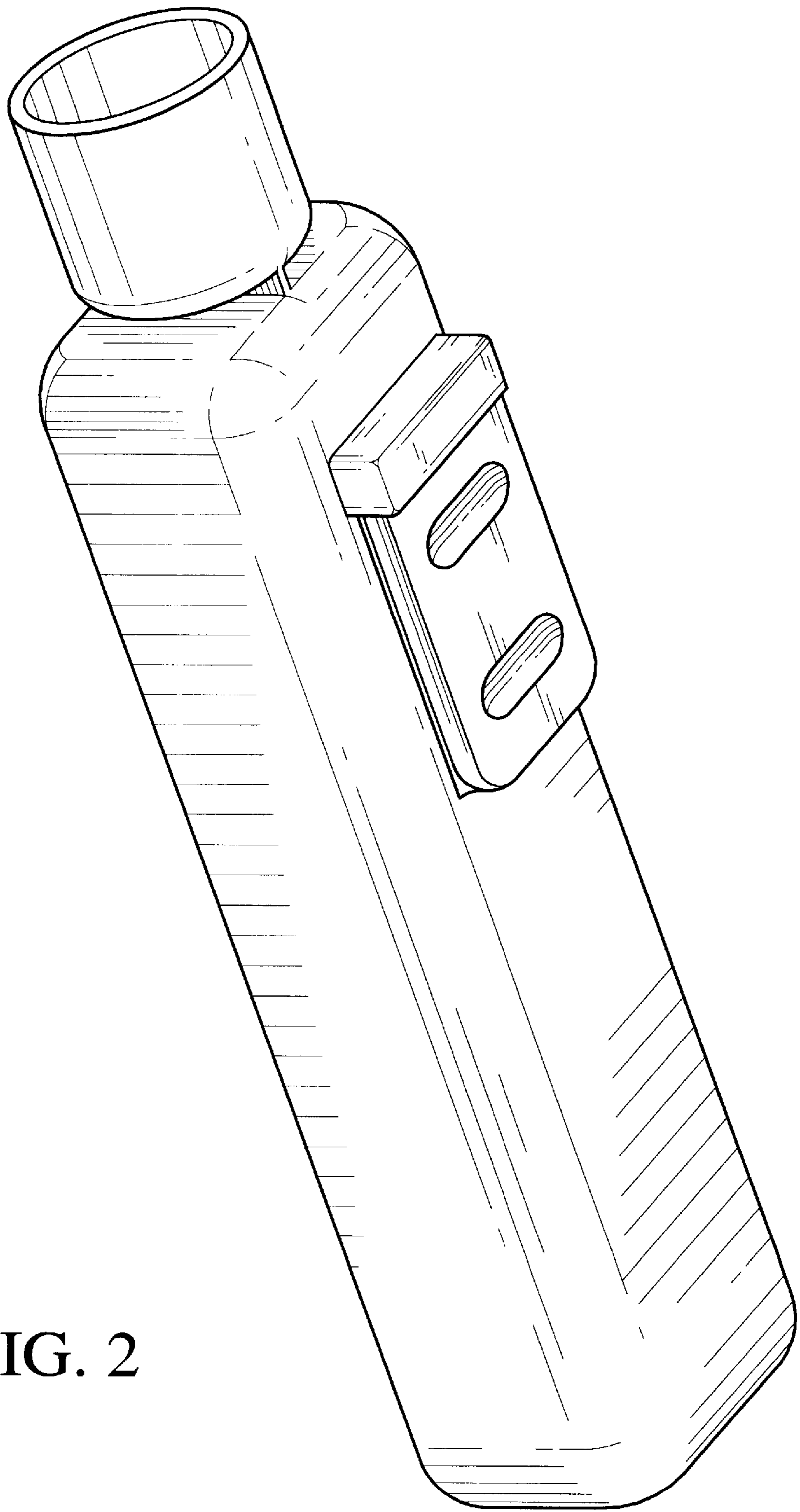


FIG. 2

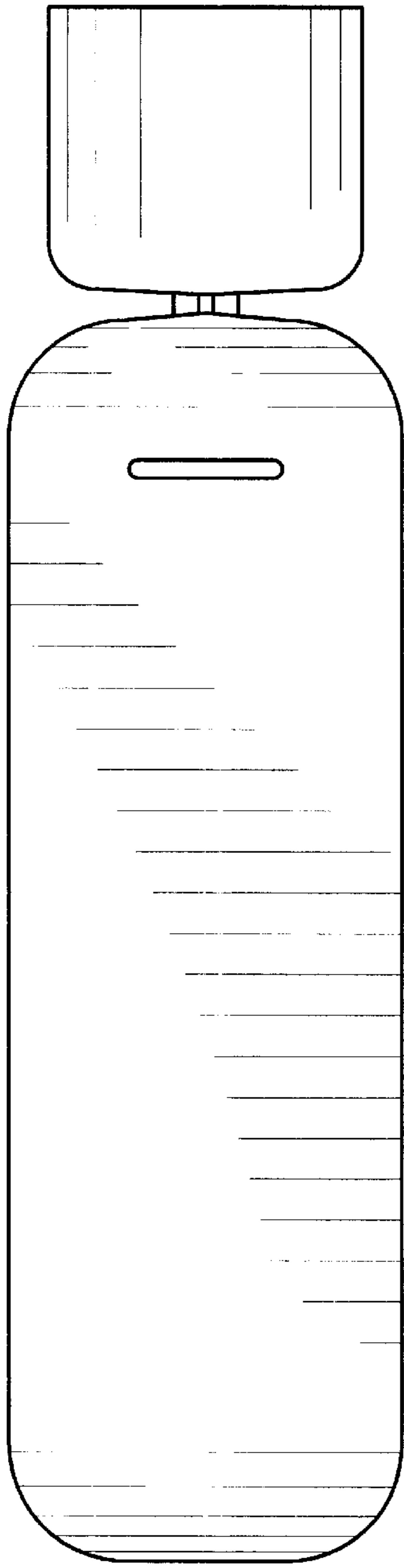


FIG. 3

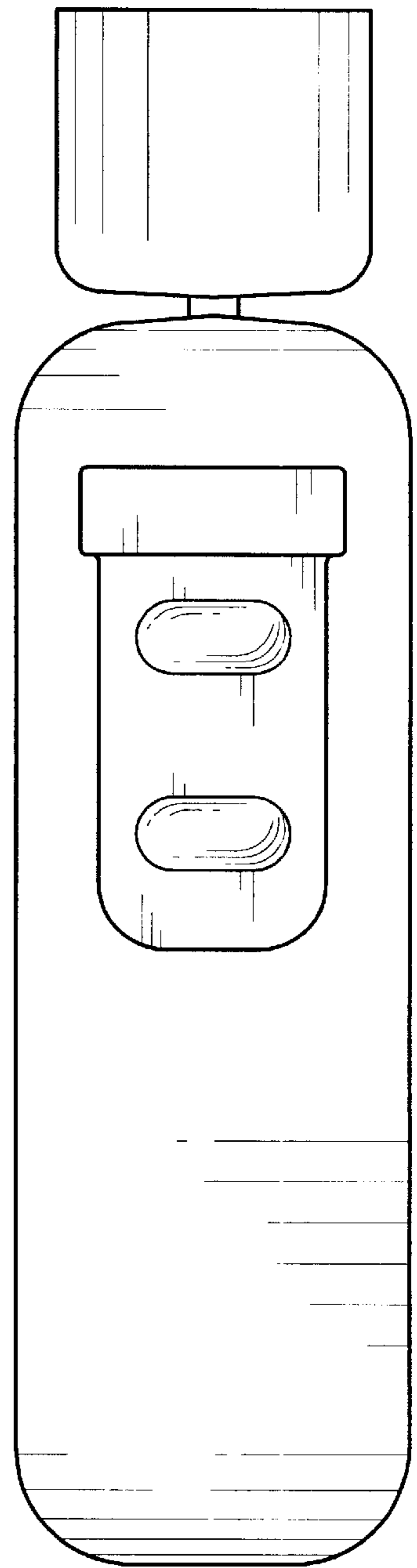


FIG. 4

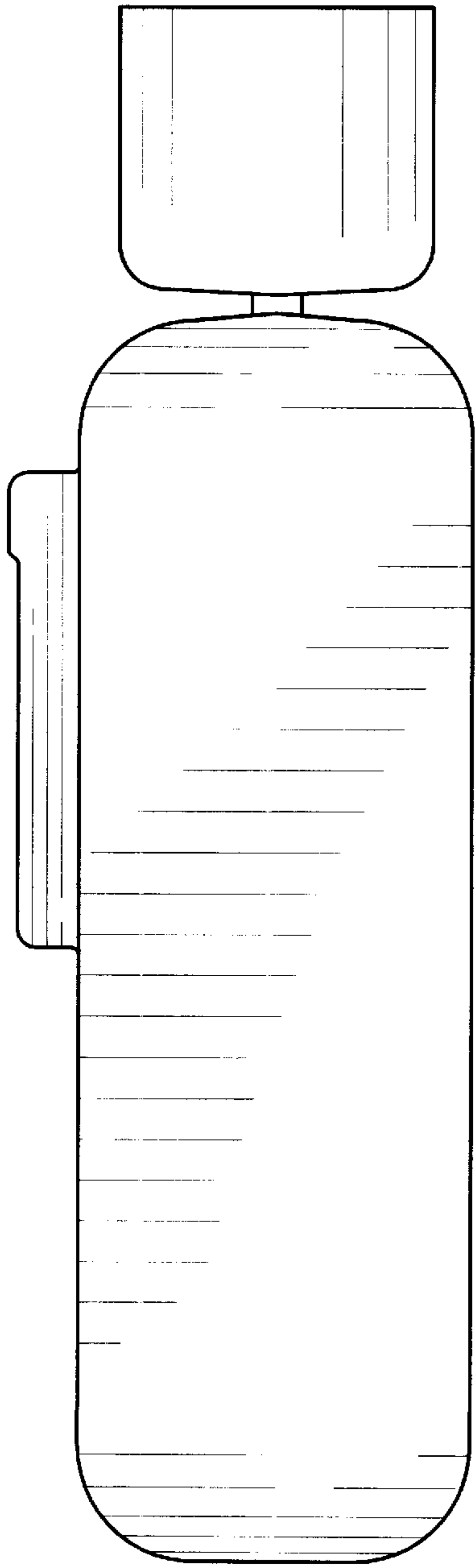


FIG. 5

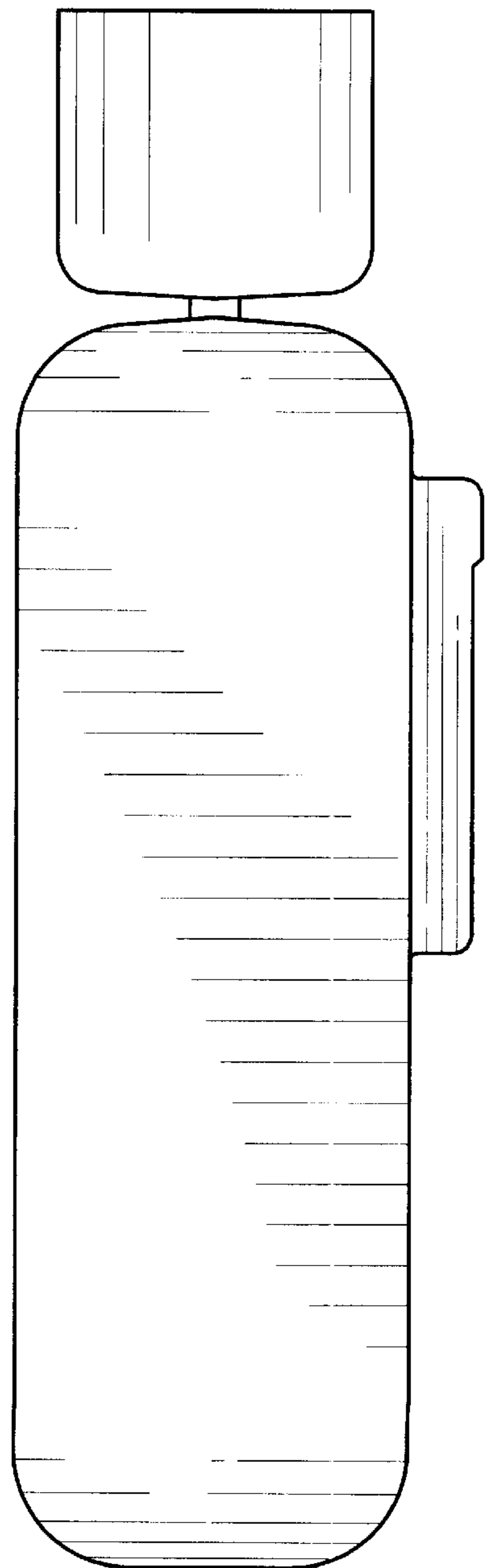


FIG. 6

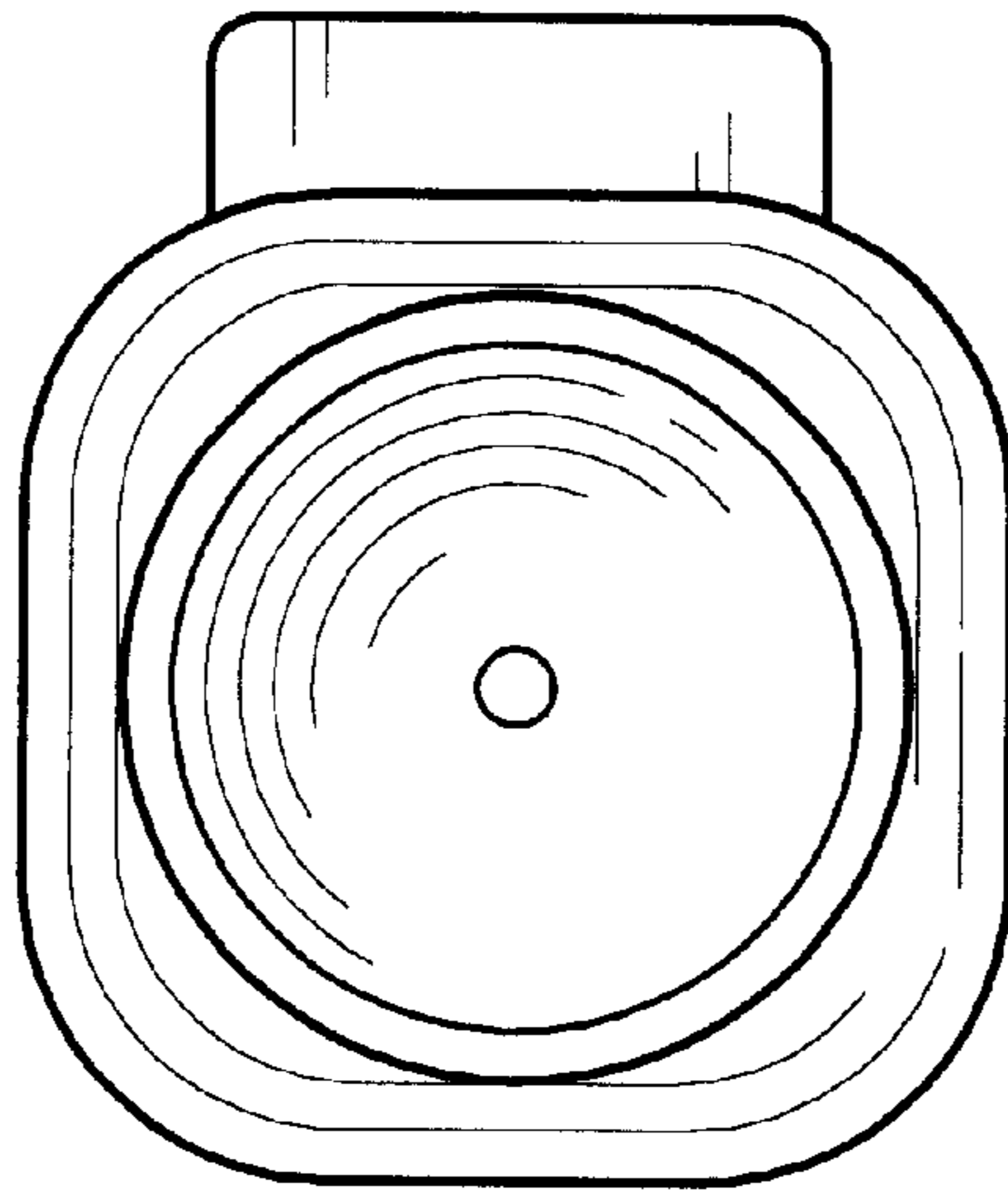


FIG. 7

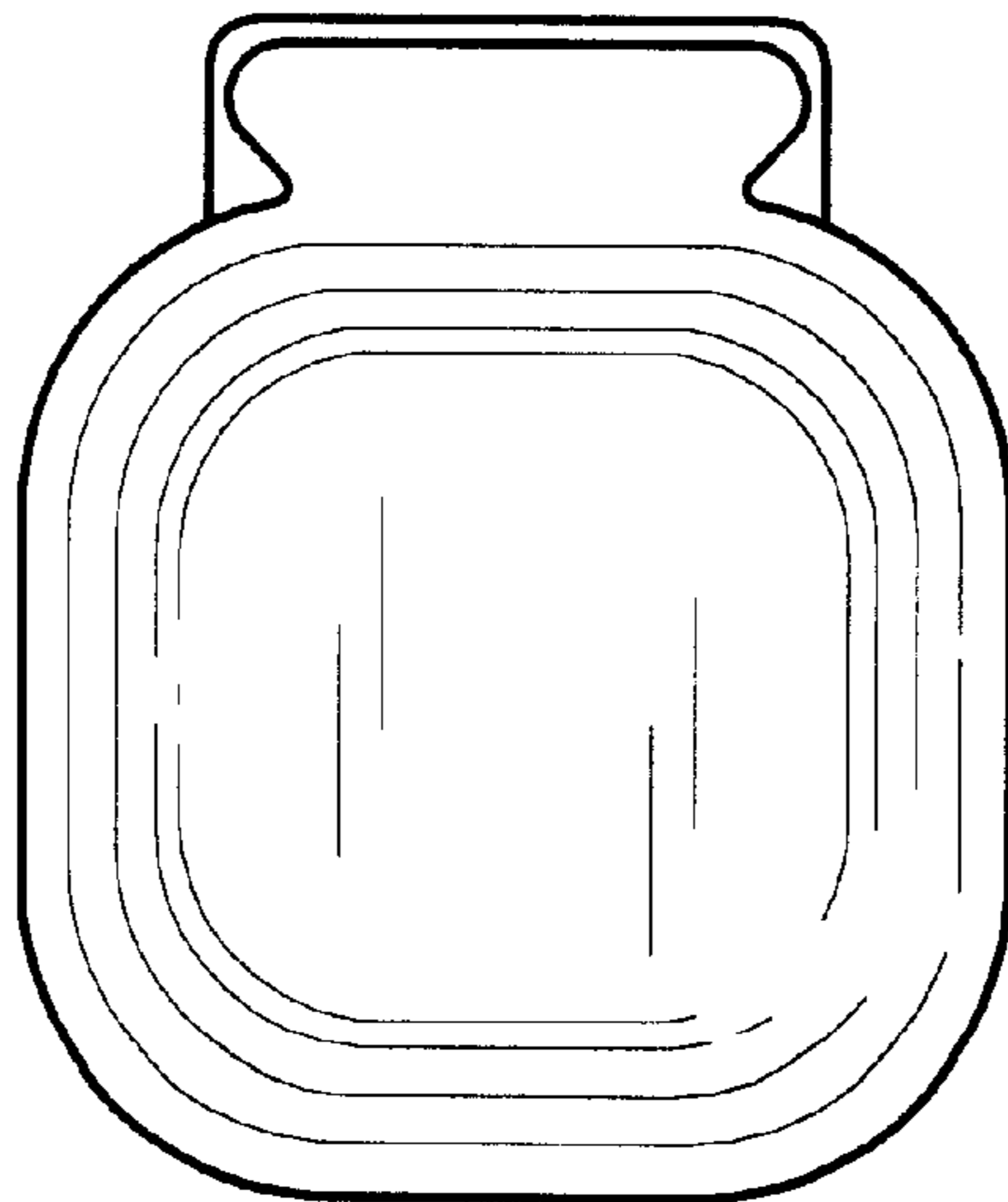


FIG. 8

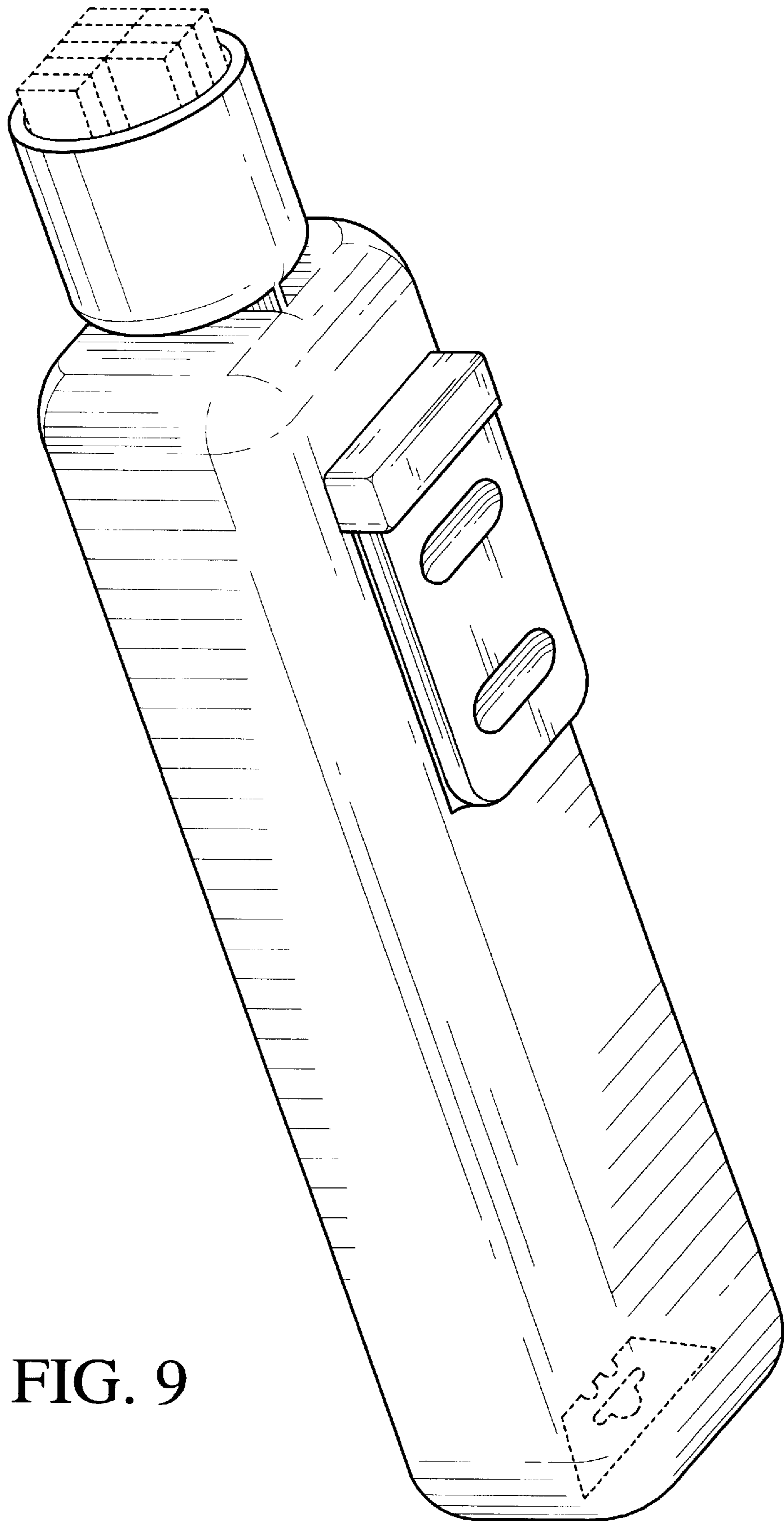


FIG. 9