



US00D434886S

United States Patent [19]

[11] Patent Number: **Des. 434,886**

Wareham et al.

[45] Date of Patent: **** Dec. 5, 2000**

[54] **VACUUM CLEANER TOOL CADDY**

D. 383,882	9/1997	Medema	32/31
D. 386,845	11/1997	Wareham et al.	D32/32
D. 391,703	3/1998	Miller et al.	D32/31
D. 426,358	6/2000	Saunders et al.	D32/31
6,070,288	6/2000	Luyckx et al.	15/323

[75] Inventors: **Richard A. Wareham; David M. J. Allgeier**, both of North Canton; **Keith G. Minton**, Canton, all of Ohio

[73] Assignee: **The Hoover Company**, North Canton, Ohio

[**] Term: **14 Years**

[21] Appl. No.: **29/102,444**

[22] Filed: **Mar. 25, 1999**

[51] **LOC (7) Cl.** **15-05**

[52] **U.S. Cl.** **D32/31**

[58] **Field of Search** D32/25, 31-34, D32/21-22; 15/323, 257.01, 336; 312/DIG. 33, 206; 206/373

OTHER PUBLICATIONS

Photographs of Royal VisionMax Cleaner, Model 084700—dated Sep. 1998.

Bissell Powersteamer Deep Cleaner User's Guide for Models 1690 and 1695, p. 3.

Primary Examiner—Ruth McInroy

Attorney, Agent, or Firm—A. Burgess Lowe; Thomas R. Kingsbury

[57] CLAIM

The ornamental design of a vacuum cleaner tool caddy, as shown and described.

DESCRIPTION

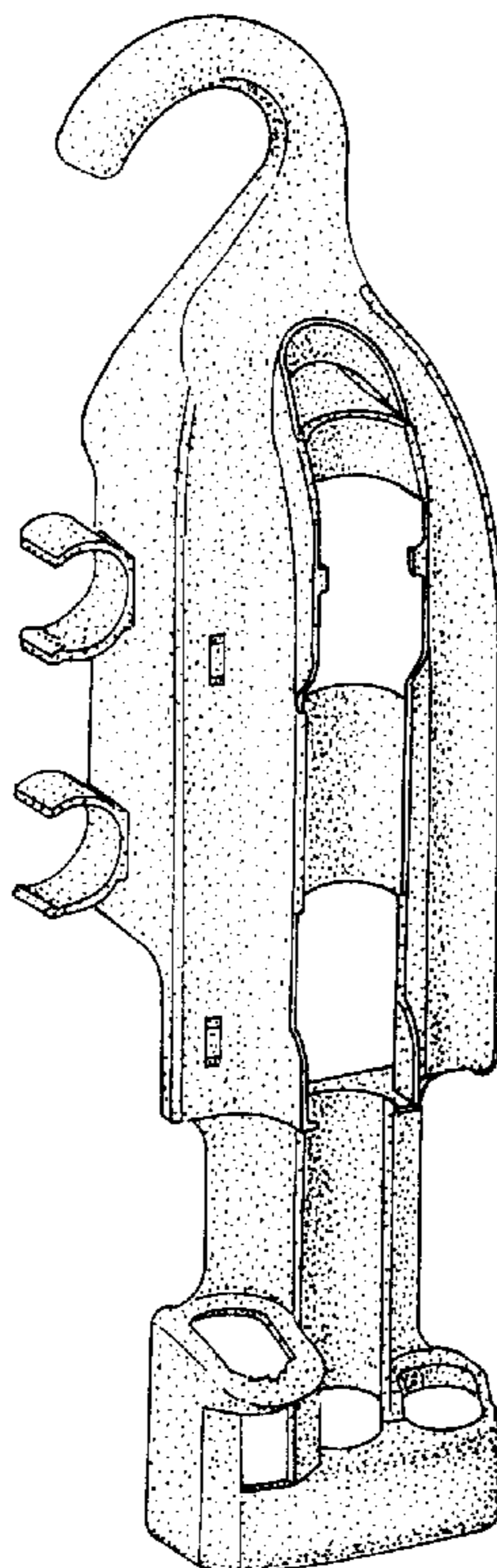
FIG. 1 is a right side elevational view of a vacuum cleaner tool caddy showing our new design, the portion of the vacuum cleaner shown in broken lines is for illustrative purposes only and forms no part of the claimed invention; FIG. 2 is a perspective view of a vacuum cleaner hose and tool caddy, showing our new design; FIG. 3 is a rear elevational view thereof; FIG. 4 is a right elevational view thereof; FIG. 5 is a front elevational view thereof; FIG. 6 is a left side elevational view thereof; FIG. 7 is a top plan view thereof; and, FIG. 8 is a bottom plan view thereof.

[56] References Cited

U.S. PATENT DOCUMENTS

D. 295,910	5/1988	Hill	D32/31
D. 313,681	1/1991	McKnight	32/22
D. 328,372	7/1992	Kieft	32/31
D. 329,511	9/1992	McKnight	32/31
D. 330,615	10/1992	Essex et al.	32/31
D. 330,787	11/1992	Waltz et al.	32/31
D. 333,020	2/1993	McKnight	32/31
D. 334,260	3/1993	Kieft et al.	32/31
D. 334,261	3/1993	McKnight	32/31
D. 344,821	3/1994	McKnight	D32/31
D. 357,096	4/1995	Wareham	D32/31
D. 379,254	5/1997	Roberts et al.	D32/31
D. 381,482	7/1997	Medema et al.	32/31

1 Claim, 3 Drawing Sheets



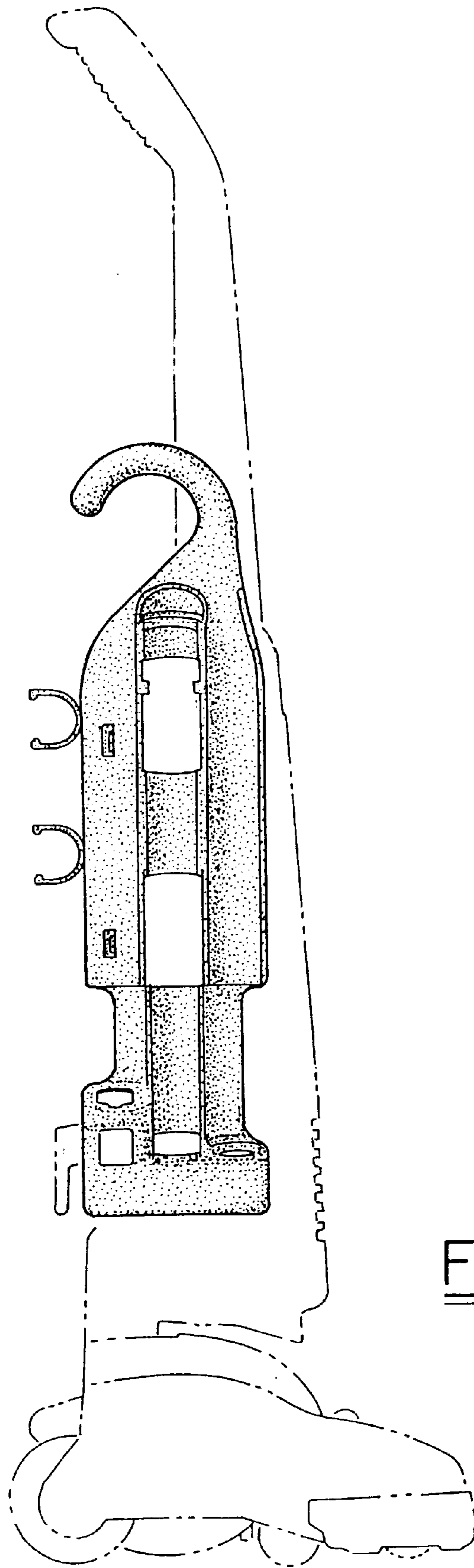


FIG.-1

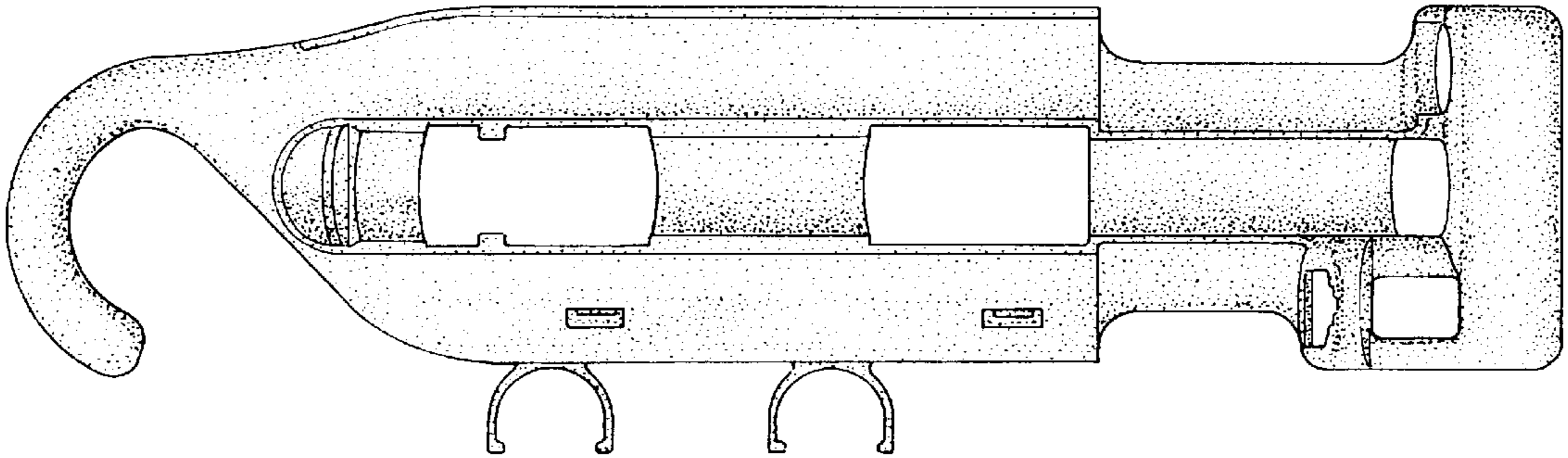


FIG. -4

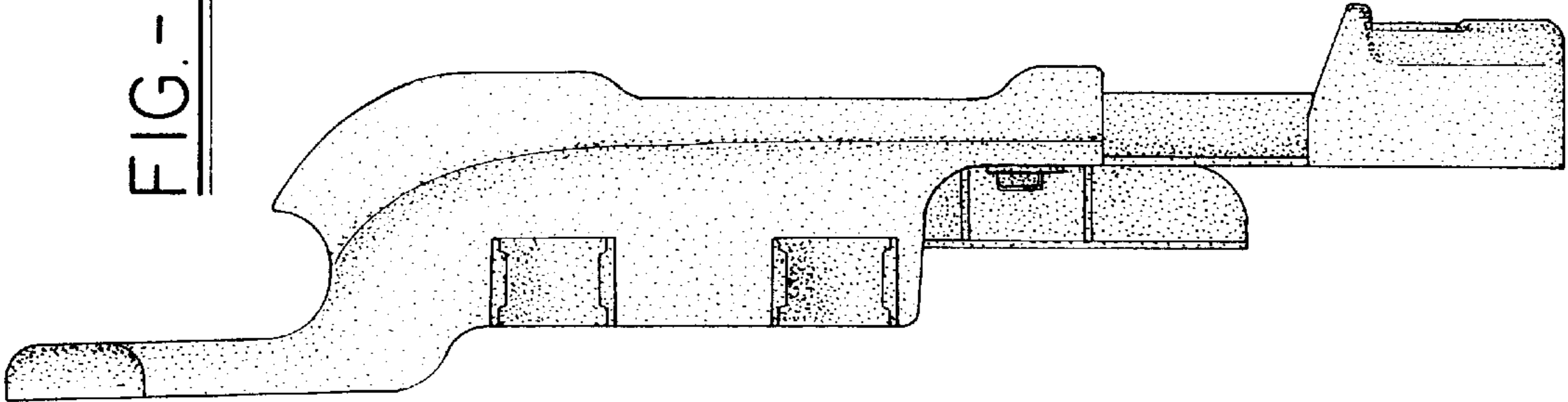


FIG. -3

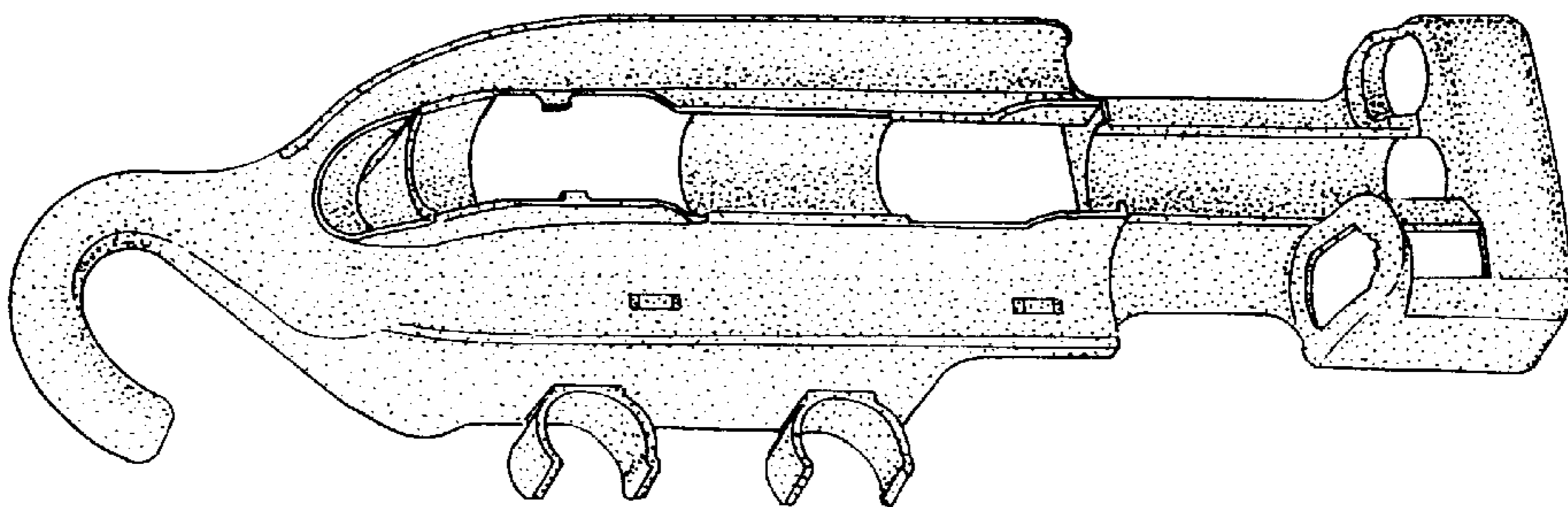


FIG. -2

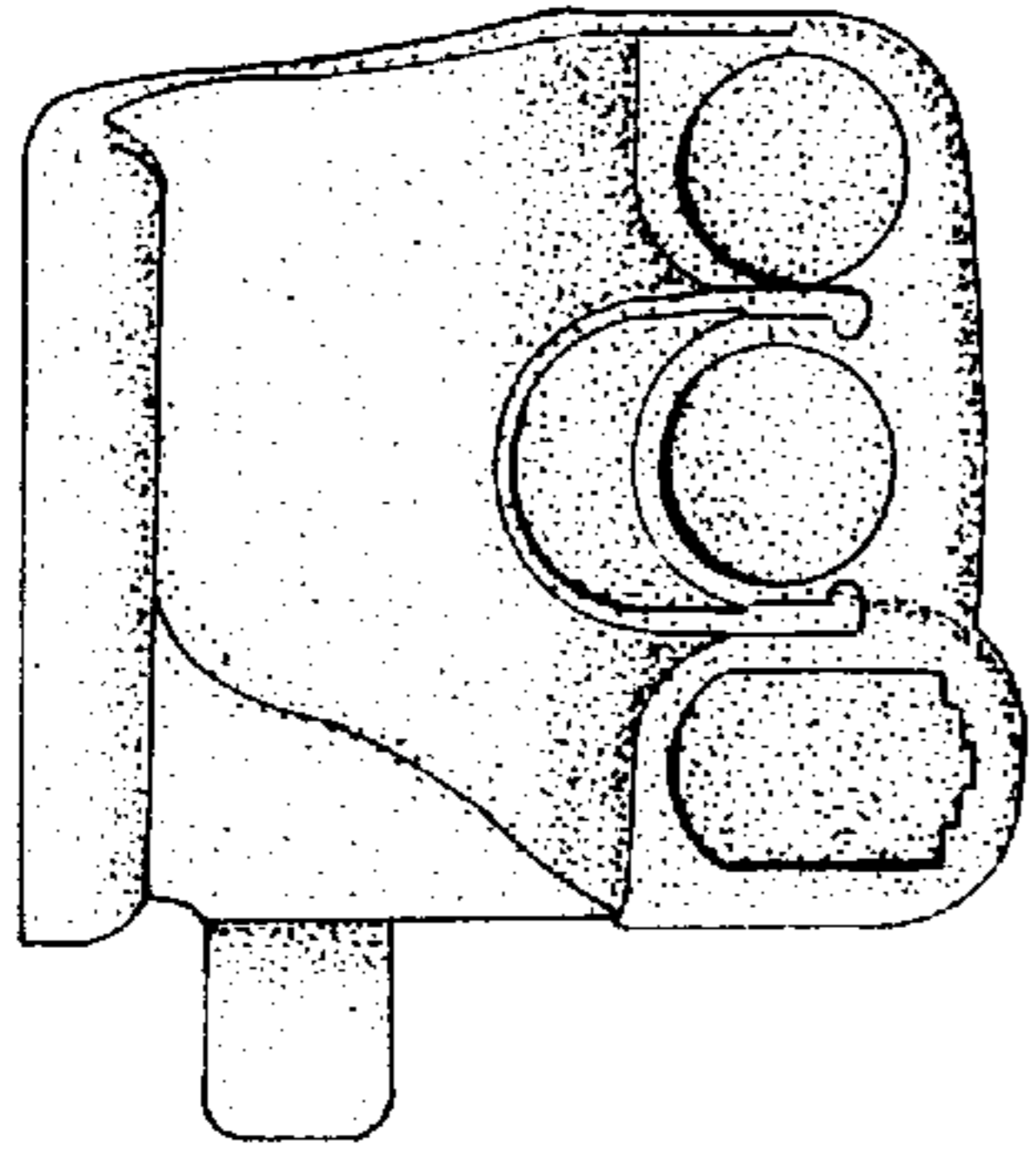


FIG. - 7

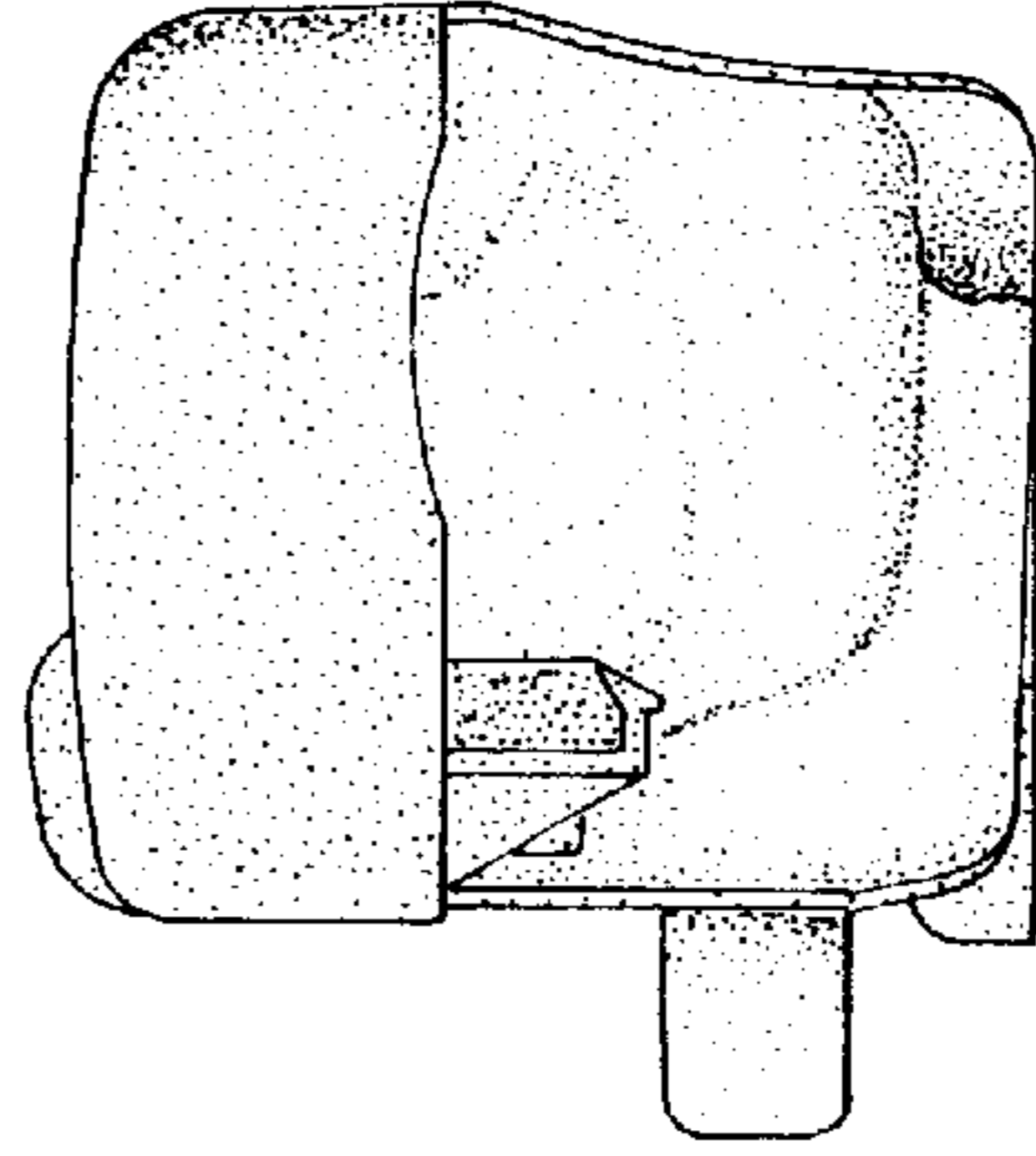


FIG. - 8

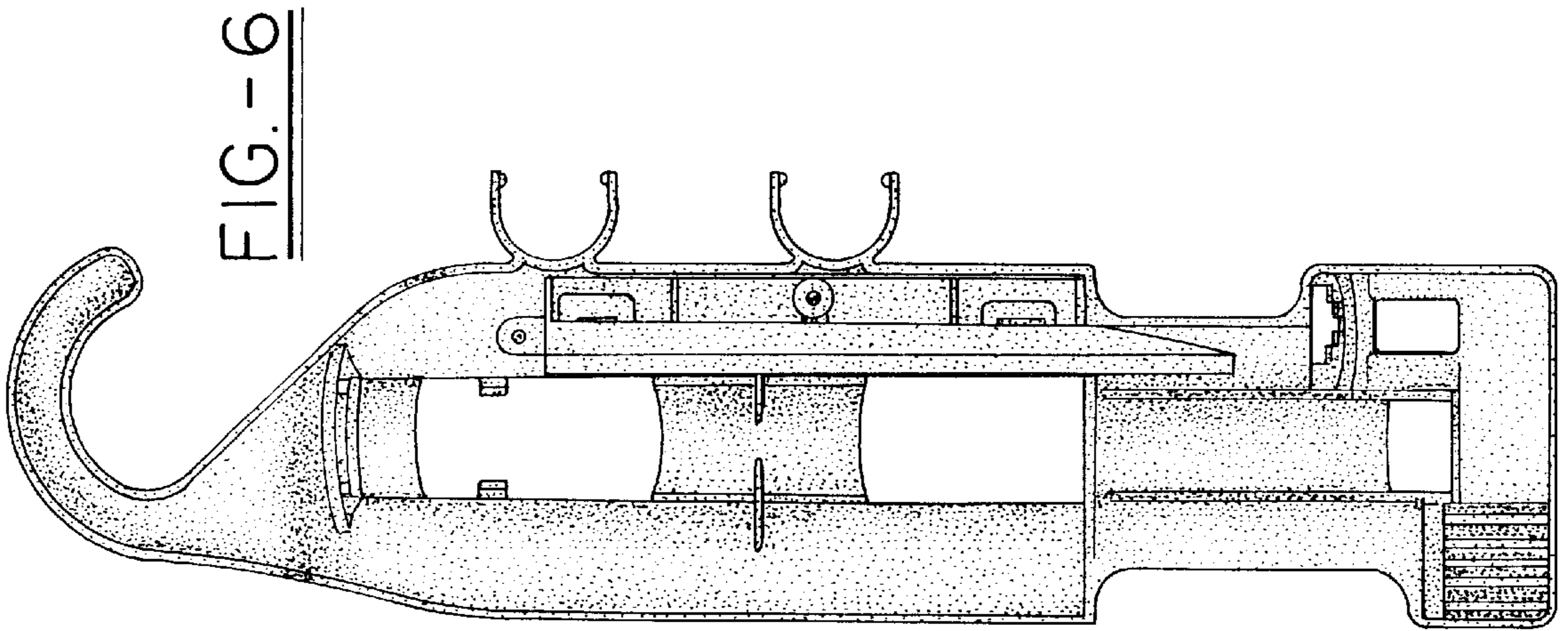


FIG. - 6

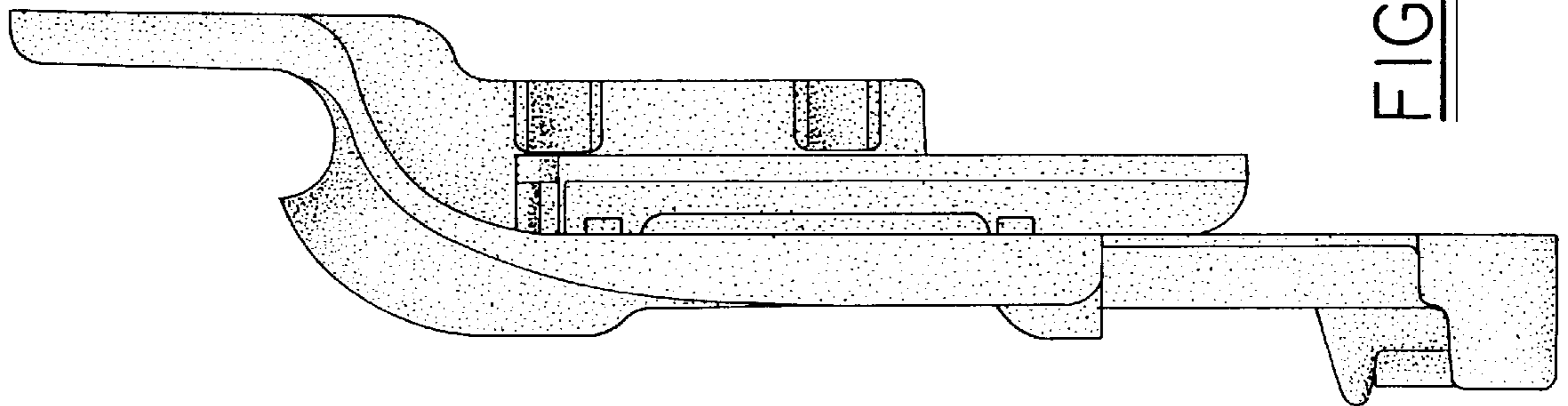


FIG. - 5