



US00D434885S

# United States Patent [19] Brosher

[11] Patent Number: **Des. 434,885**

[45] Date of Patent: **\*\* Dec. 5, 2000**

[54] **WATERBOX FOR A LAUNDRY ENCLOSURE PANEL**

[75] Inventor: **Rodney D. Brosher**, Smyrna, Tenn.

[73] Assignee: **CoCoMo, LLC**, Hopkinsville, Ky.

[\*\*] Term: **14 Years**

[21] Appl. No.: **29/104,107**

[22] Filed: **Apr. 28, 1999**

[51] **LOC (7) Cl.** ..... **15-05**

[52] **U.S. Cl.** ..... **D32/25**

[58] **Field of Search** ..... D32/1, 25; 137/360, 137/312, 314; 4/614, 613, 251.1

4,423,528	1/1984	Wiedmeier .	
4,539,721	9/1985	Moore .	
4,716,925	1/1988	Prather .	
4,716,928	1/1988	Prather .....	137/360
4,765,360	8/1988	Baird .	
5,319,903	6/1994	Holland .	
5,437,303	8/1995	Johnson .....	137/360
5,467,562	11/1995	Holland .	

*Primary Examiner*—Mitchell Siegel  
*Attorney, Agent, or Firm*—Waddey & Patterson; I. C. Waddey, Jr.

### [57] CLAIM

The ornamental design for a waterbox for a laundry enclosure panel, as shown and described.

### DESCRIPTION

FIG. 1 is a front perspective view showing the waterbox for a laundry enclosure panel of Applicant's invention.

FIG. 2 is a portion of FIG. 1 with part of the wall of the waterbox cut away to show the interior of the waterbox for a laundry enclosure panel of Applicant's invention.

FIG. 3 is a front elevation of the waterbox for a laundry enclosure panel of the Applicant's invention.

FIG. 4 is a side elevation of the waterbox for a laundry enclosure panel of Applicant's invention, both sides being identical; and,

FIG. 5 is a top elevation of the waterbox for a laundry enclosure panel of Applicant's invention.

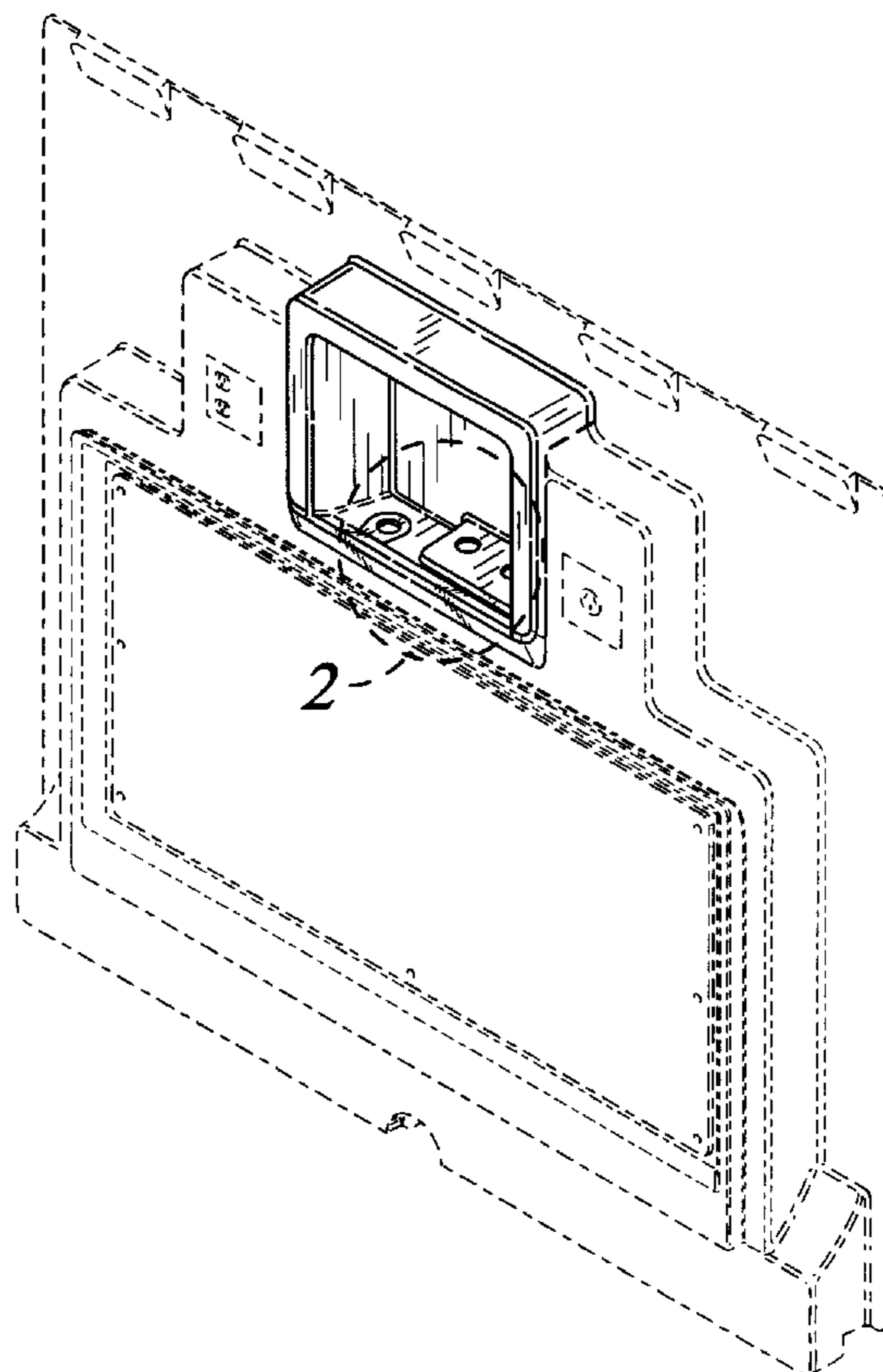
The broken line showing is for illustrative purposes only and forms no part of the claimed design.

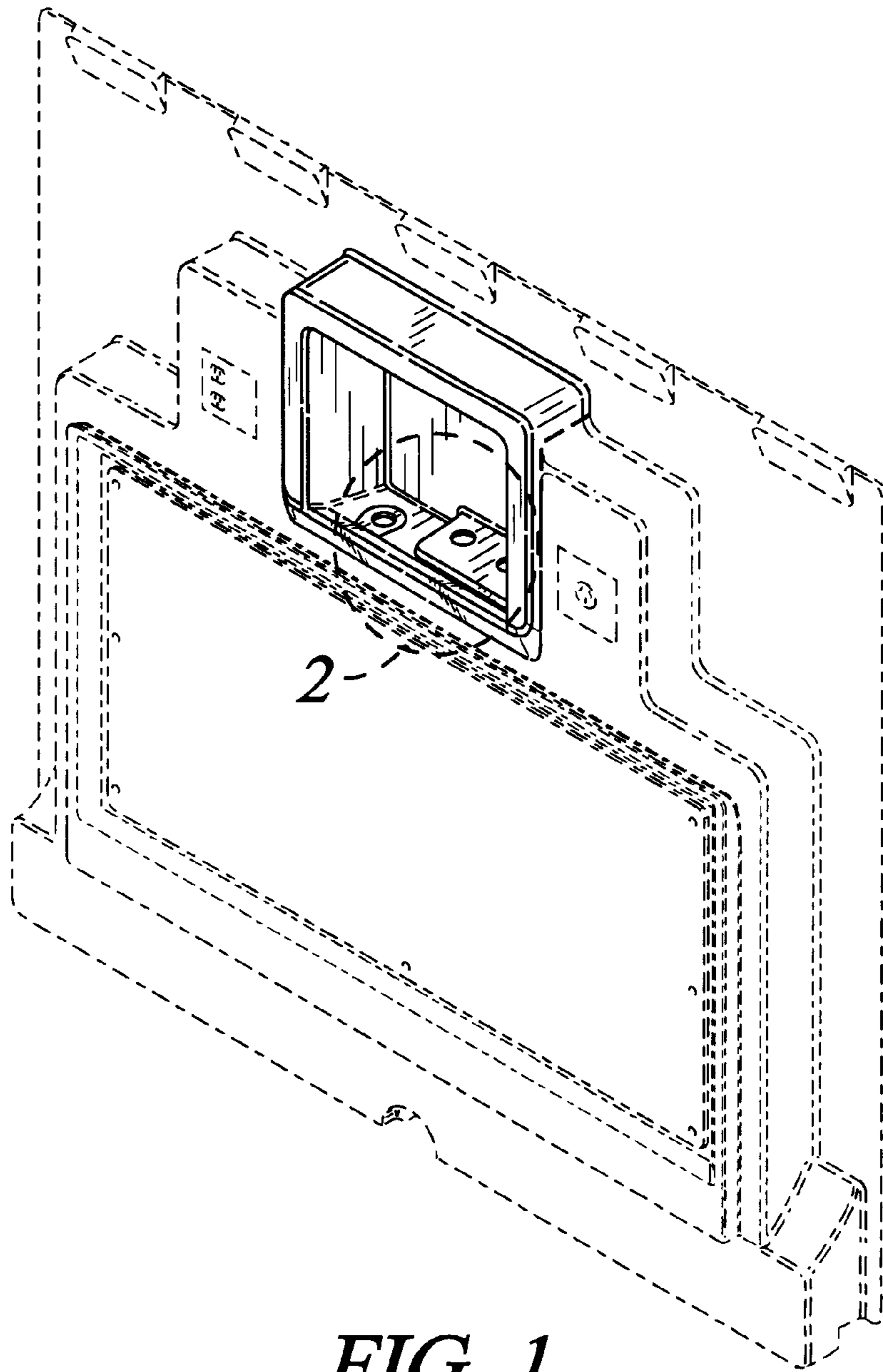
### [56] References Cited

#### U.S. PATENT DOCUMENTS

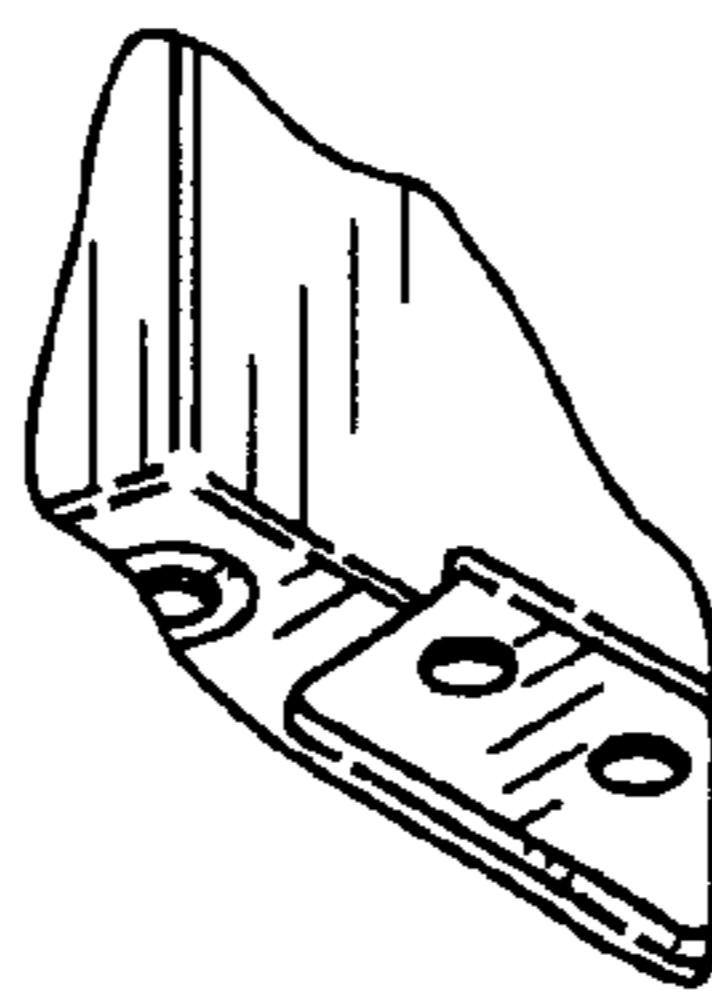
D. 299,523	1/1989	Poulin .	
D. 337,154	7/1993	Simpson et al. .	
2,389,724	11/1945	Falco .	
2,952,271	9/1960	Dick et al. ....	137/360
3,096,781	7/1963	Roidt .	
3,148,698	9/1964	Arnold .....	137/360
3,186,427	6/1965	Martin et al. .	
3,263,242	8/1966	Will .	
3,304,950	2/1967	Hubert .	
3,800,335	4/1974	Buonaura .	
3,895,398	7/1975	Mustee .	
3,996,959	12/1976	Caruth .....	137/360
4,069,837	1/1978	Jirasek .....	137/360
4,410,004	10/1983	Kifer et al. ....	137/360

**1 Claim, 2 Drawing Sheets**

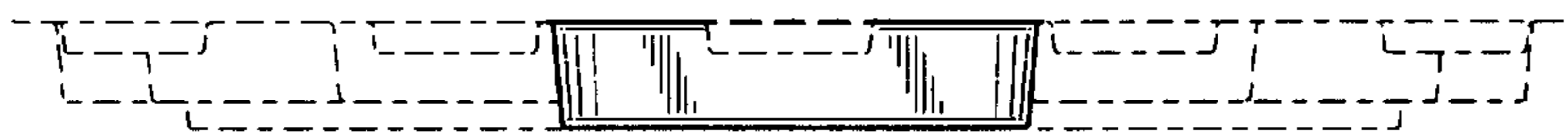




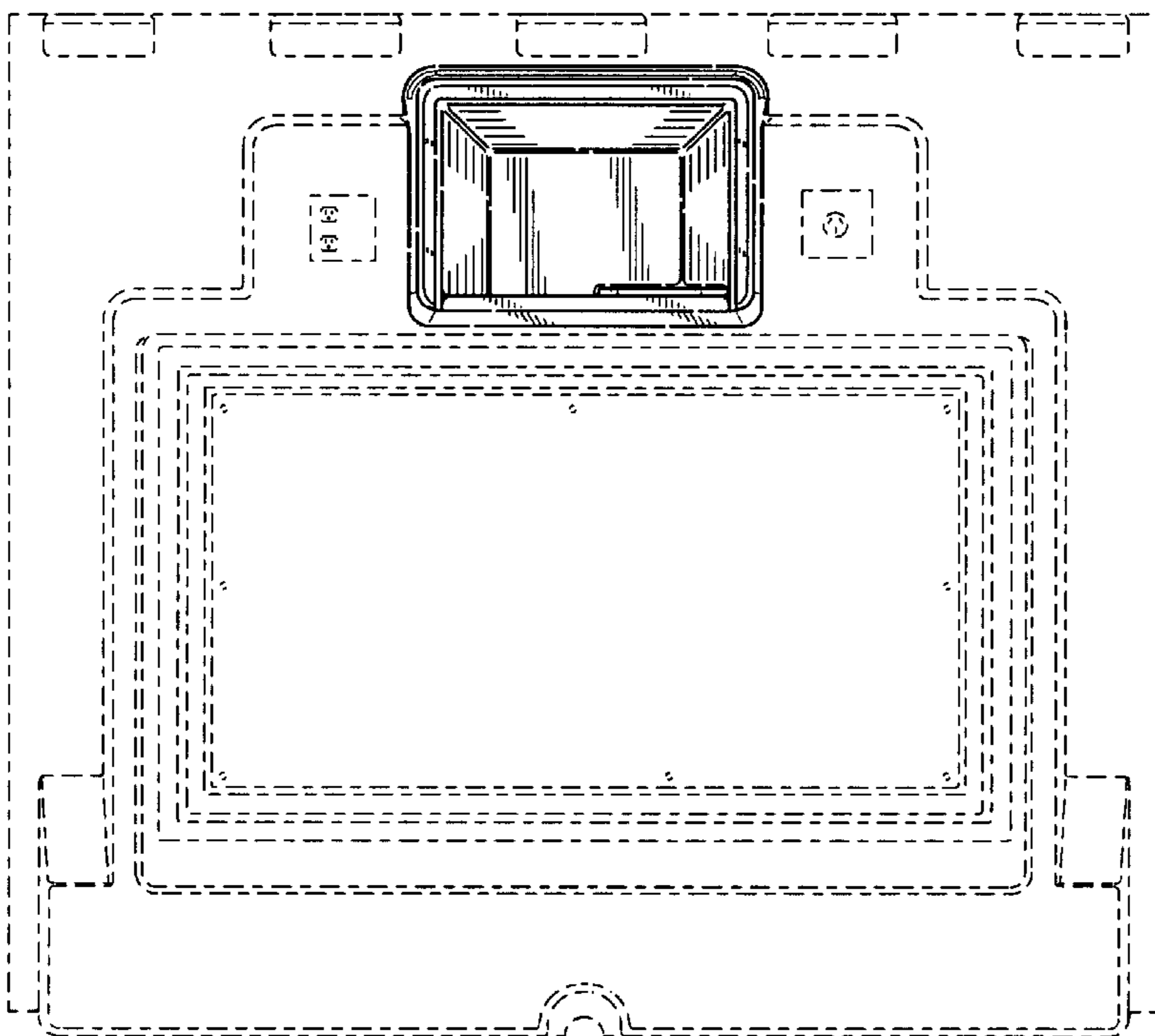
*FIG. 1*



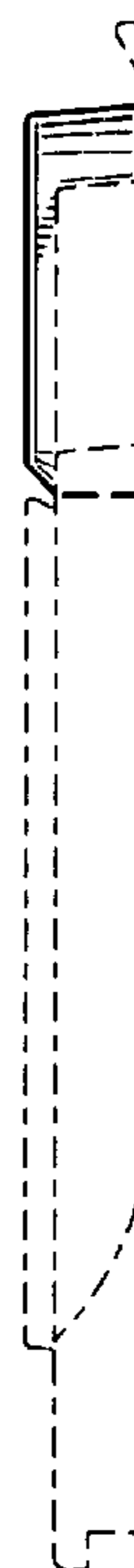
*FIG. 2*



*FIG. 5*



*FIG. 3*



*FIG. 4*