



US00D434884S

United States Patent [19]

Hohulin et al.

[11] Patent Number: **Des. 434,884**

[45] Date of Patent: **** Dec. 5, 2000**

[54] **UPRIGHT VACUUM CLEANER**

[75] Inventors: **Samuel E. Hohulin**, Timber Ridge;
Gregory Luebbering, Heyworth, both
of Ill.

[73] Assignee: **White Consolidated Industries, Inc.**,
Cleveland, Ohio

[**] Term: **14 Years**

[21] Appl. No.: **29/100,638**

[22] Filed: **Feb. 16, 1999**

[51] **LOC (7) Cl.** **15-05**

[52] **U.S. Cl.** **D32/22**

[58] **Field of Search** D32/17-18, 21-22,
D32/25, 30-34; 15/320-321, 323-334,
329, 344, 347, 349, 350-353, 410, 412

[56] **References Cited**

U.S. PATENT DOCUMENTS

- D. 347,500 5/1994 Abe et al. D32/22
- D. 354,379 1/1995 Shinozaki D32/22
- D. 358,913 5/1995 Sugiyama et al. D32/22

- D. 370,321 5/1996 Robinette et al. D32/22
- D. 403,479 12/1998 Diebel D32/22
- D. 403,480 12/1998 Diebel D32/22
- D. 418,265 12/1999 Farone et al. D32/22
- 5,584,095 12/1996 Redding et al. 15/411
- 6,003,196 12/1999 Wright et al. 15/353

Primary Examiner—Ruth McInroy
Attorney, Agent, or Firm—Pearne & Gordon LLP

[57] **CLAIM**

The ornamental design for an upright vacuum cleaner, as shown and described.

DESCRIPTION

FIG. 1 is a front and right side perspective view of an upright vacuum cleaner showing our new design; FIG. 2 is a front elevational view thereof; FIG. 3 is a right side elevational view thereof; FIG. 4 is a top plan view thereof; FIG. 5 is a left side elevational view thereof; and, FIG. 6 is a rear elevational view thereof. A bottom of the vacuum cleaner is unornamented and forms no part of the claimed design.

1 Claim, 4 Drawing Sheets

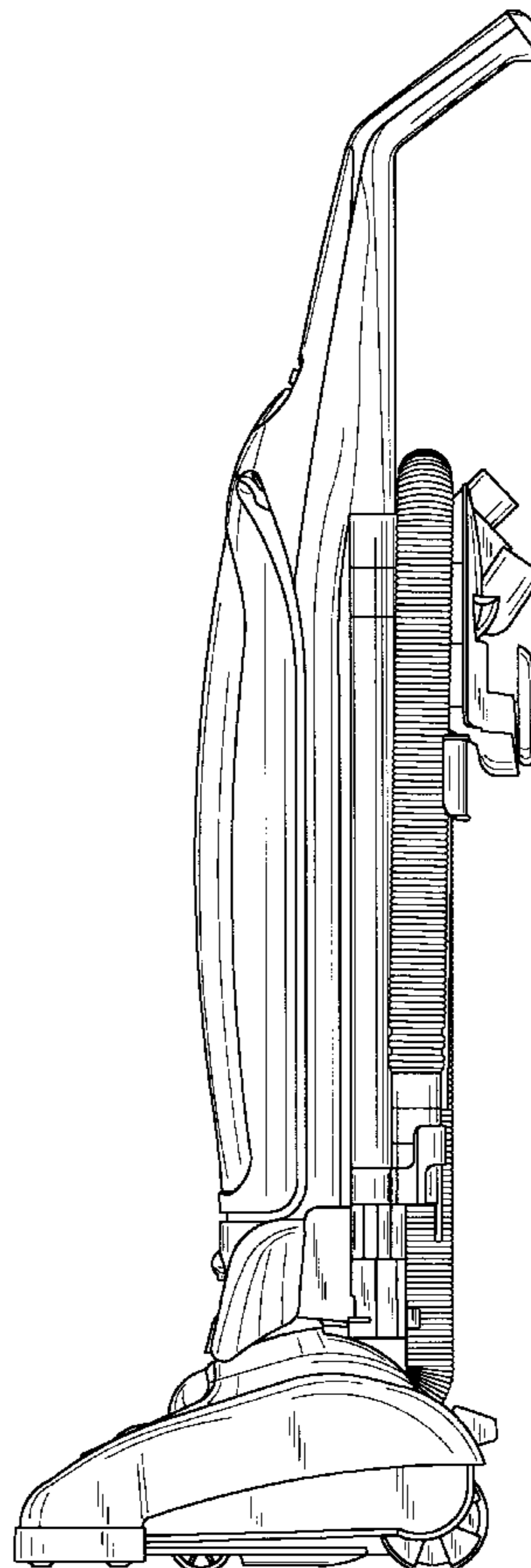
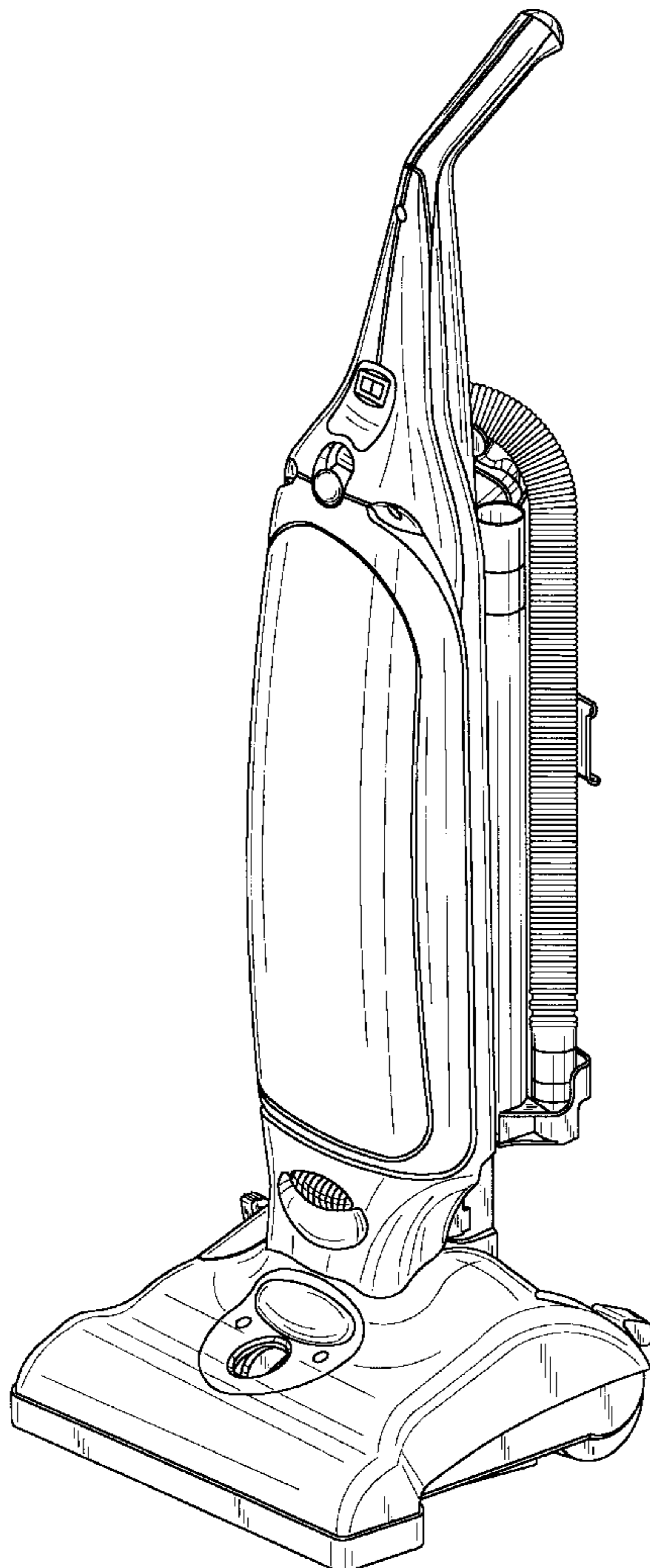
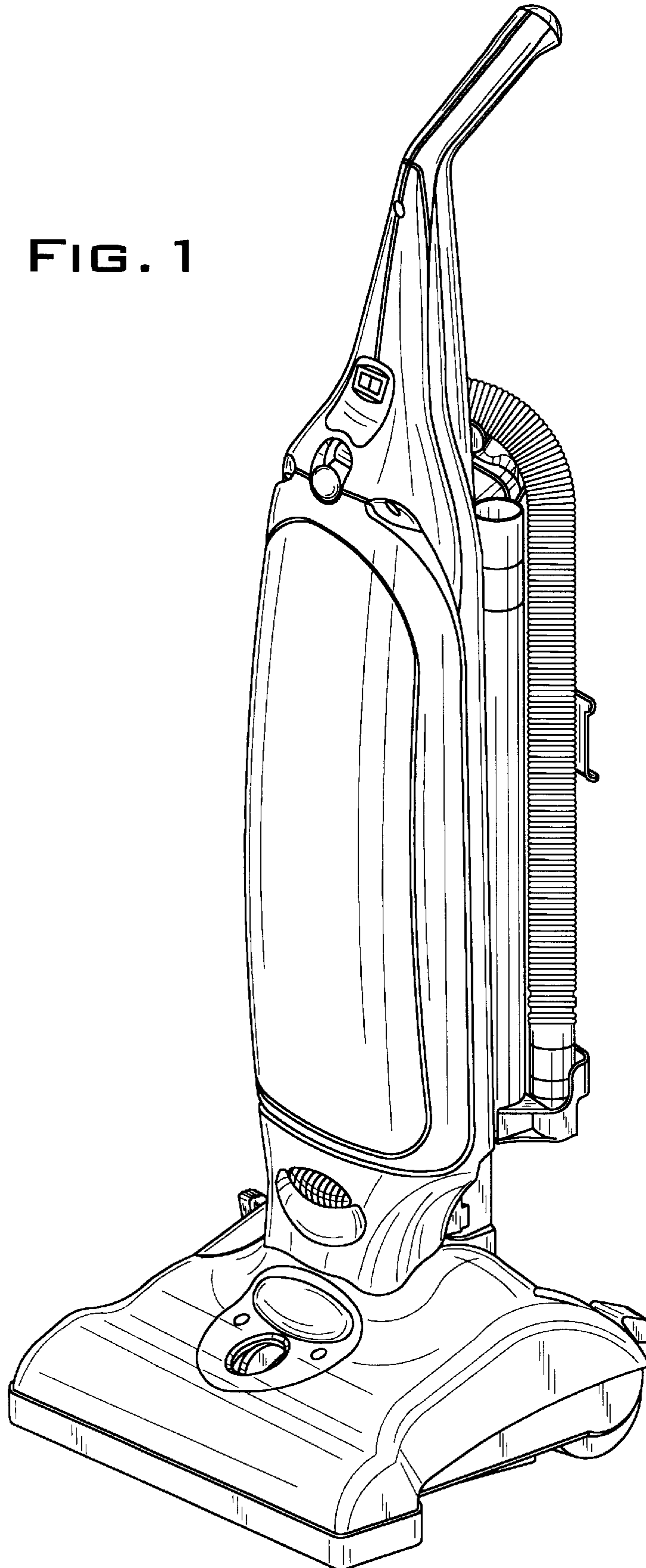


FIG. 1



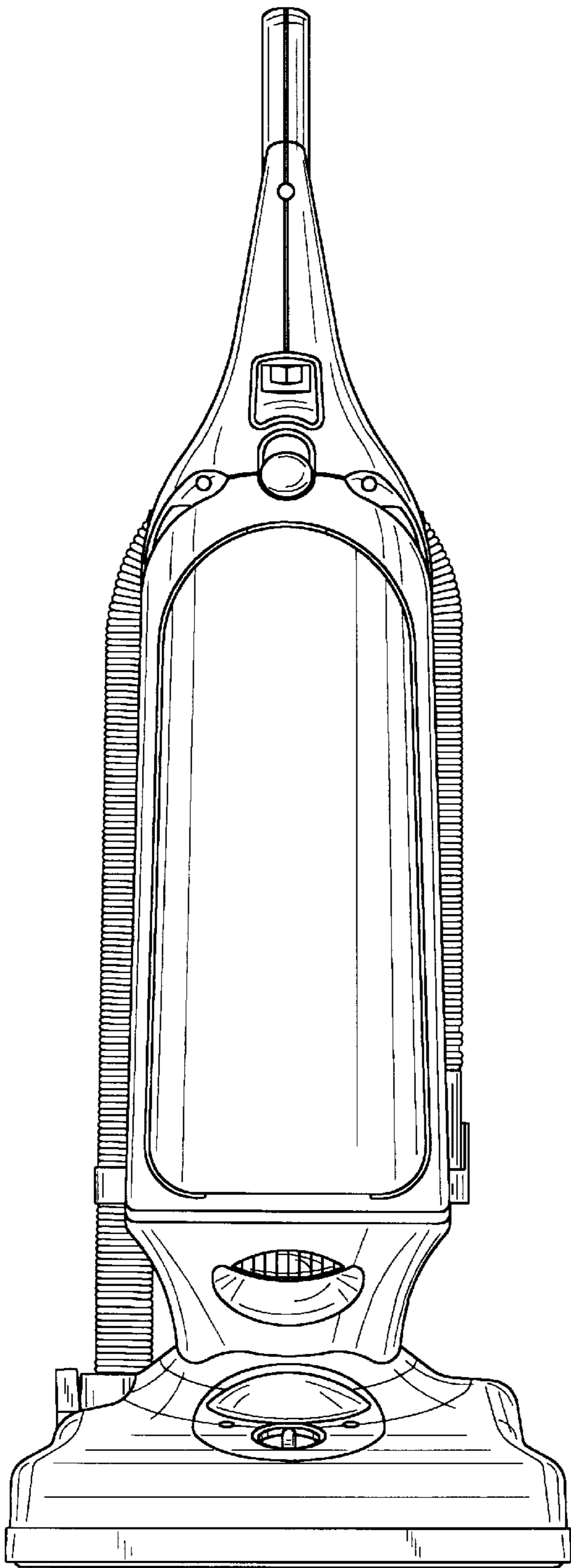


FIG. 2

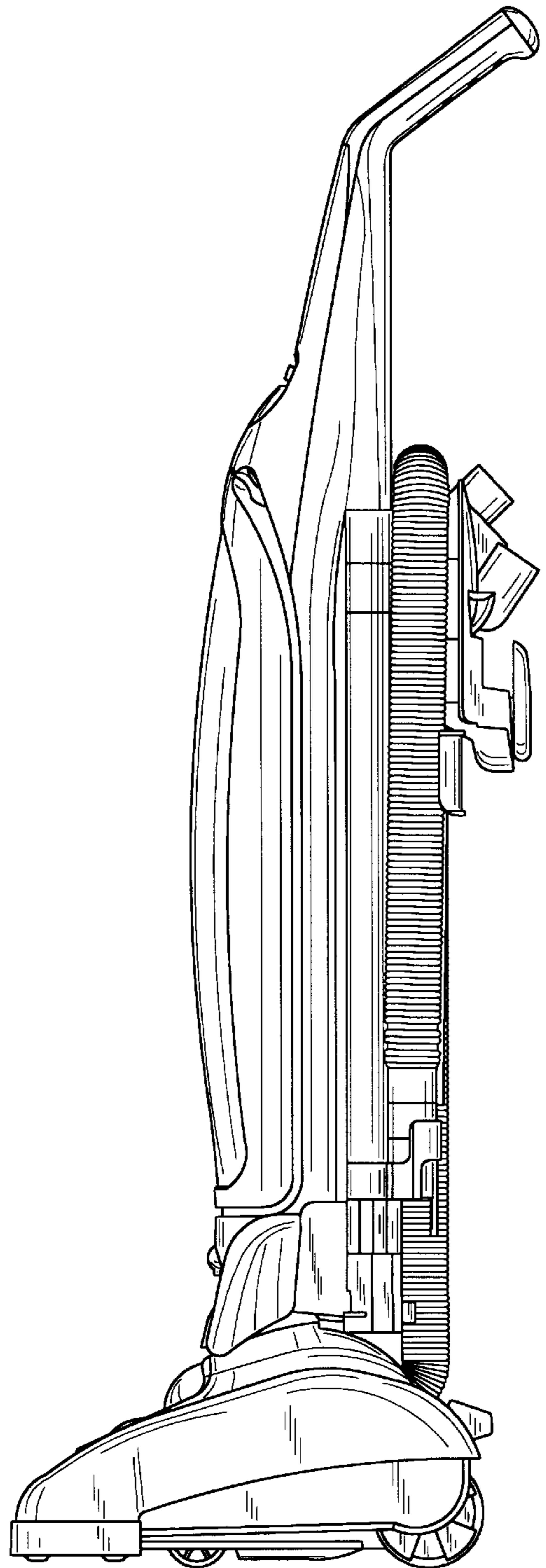


FIG. 3

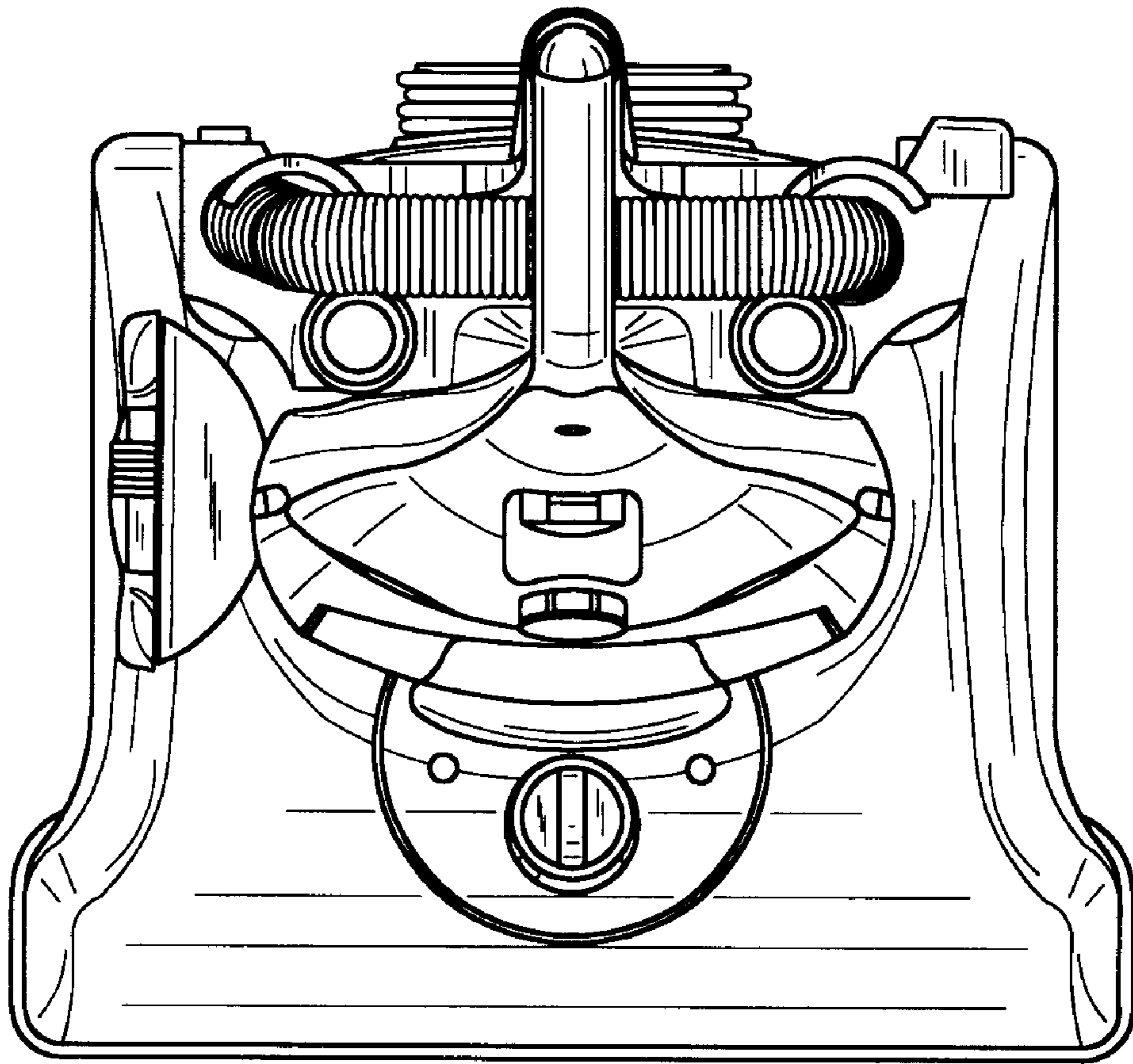


FIG. 4

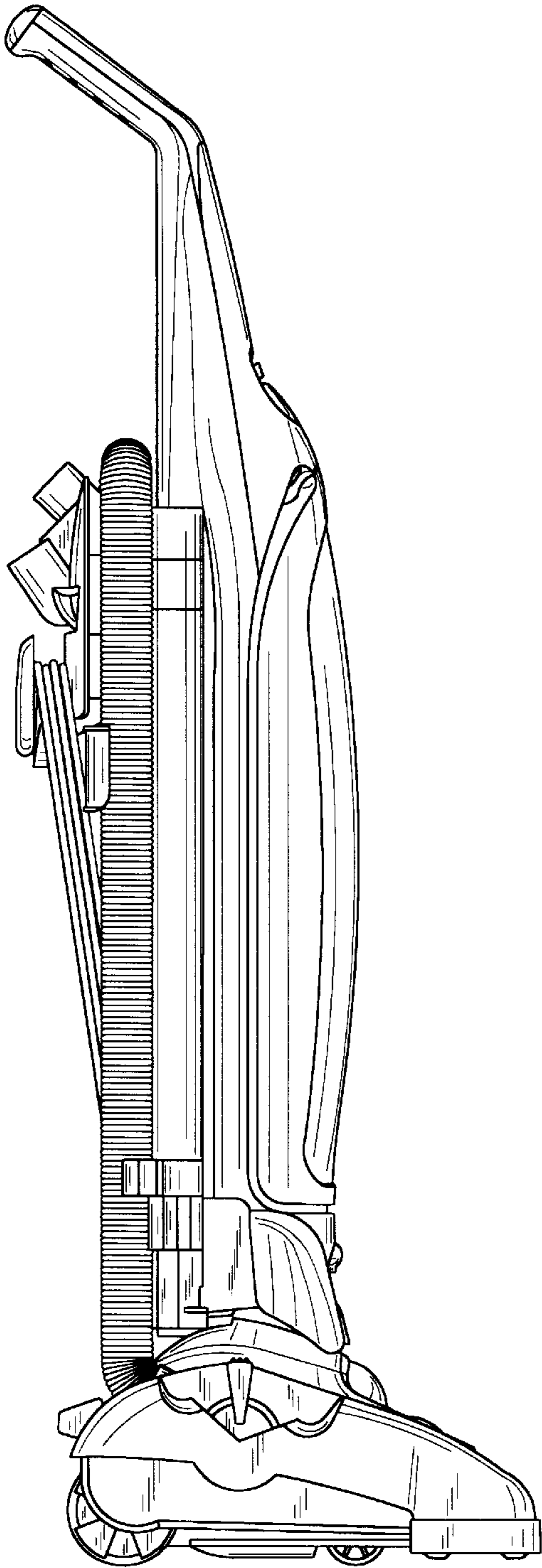


FIG. 5

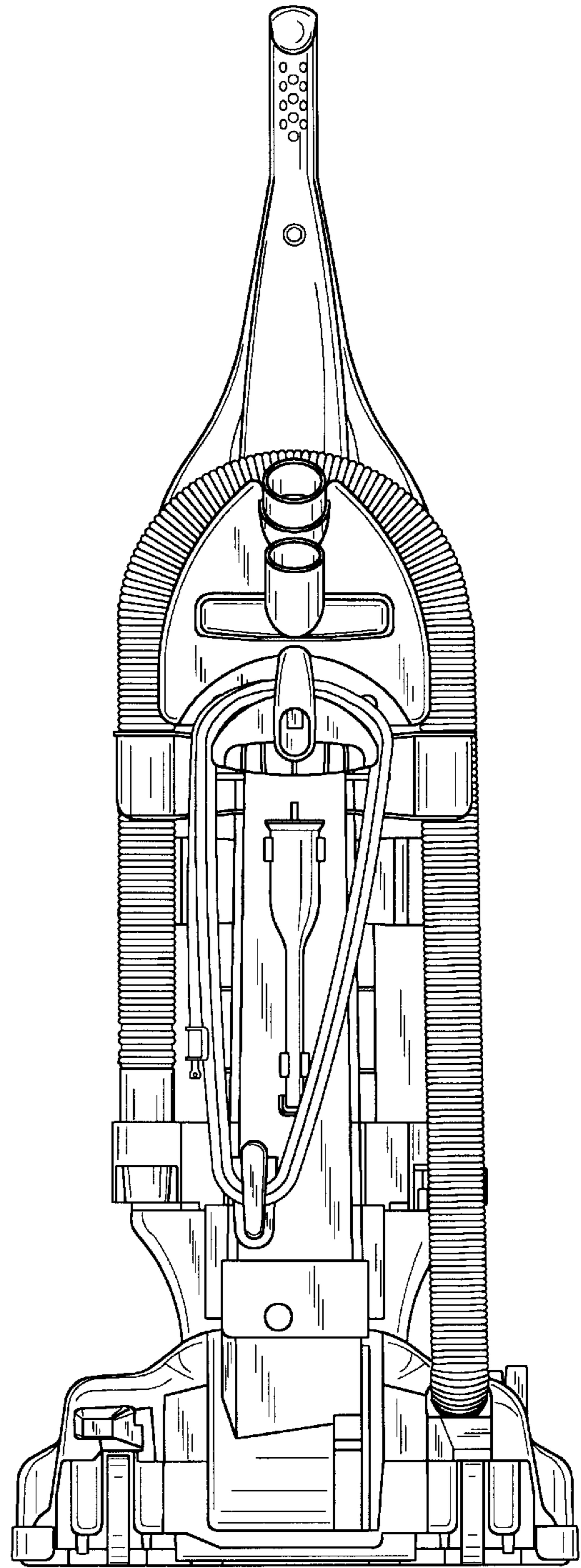


FIG. 6

UNITED STATES PATENT AND TRADEMARK OFFICE
CERTIFICATE OF CORRECTION

PATENT NO. : Des. 434,884
DATED : December 5, 2000
INVENTOR(S) : Samuel E. Hohulin, Gregory Luebbering

Page 1 of 1

It is certified that error appears in the above-identified patent and that said Letters Patent is hereby corrected as shown below:

Title Page, Section [75],
Delete "Timber Ridge" and insert --Lexington--.

Signed and Sealed this
Tenth Day of July, 2001

Nicholas P. Godici

Attest:

Attesting Officer

NICHOLAS P. GODICI
Acting Director of the United States Patent and Trademark Office