



US00D434883S

# United States Patent [19]

Li et al.

[11] **Patent Number: Des. 434,883**

[45] **Date of Patent: \*\* Dec. 5, 2000**

[54] **EXHAUST VENT**

[75] Inventors: **Hong Li**, Carol Stream; **Emily K. Misner**; **Kenneth S. Laughlin**, both of Arlington Heights; **John J. Connell**, Lake Zurich, all of Ill.

[73] Assignee: **3Com Corporation**, Rolling Meadows, Ill.

[\*\*] Term: **14 Years**

[21] Appl. No.: **29/108,354**

[22] Filed: **Jul. 26, 1999**

[51] **LOC (7) Cl.** ..... **15-05**

[52] **U.S. Cl.** ..... **D32/3**

[58] **Field of Search** ..... D23/393; D32/3; 312/108, 109; 134/56 D, 57 D, 58 DL, 98, 135, 104, 154; 34/234, 325; 454/184; 361/391, 690, 695

[56] **References Cited**

**U.S. PATENT DOCUMENTS**

D. 214,193 5/1969 Swartz ..... D32/3

D. 385,069 10/1997 Hughes et al. .... D32/3  
D. 385,071 10/1997 Hughes et al. .... D32/3  
4,179,821 12/1979 Herbst ..... 34/235  
6,053,808 4/2000 Koradia et al. .... 454/184

*Primary Examiner*—Mitchell Siegel  
*Attorney, Agent, or Firm*—Baniak Nicholas Pine & Gannon

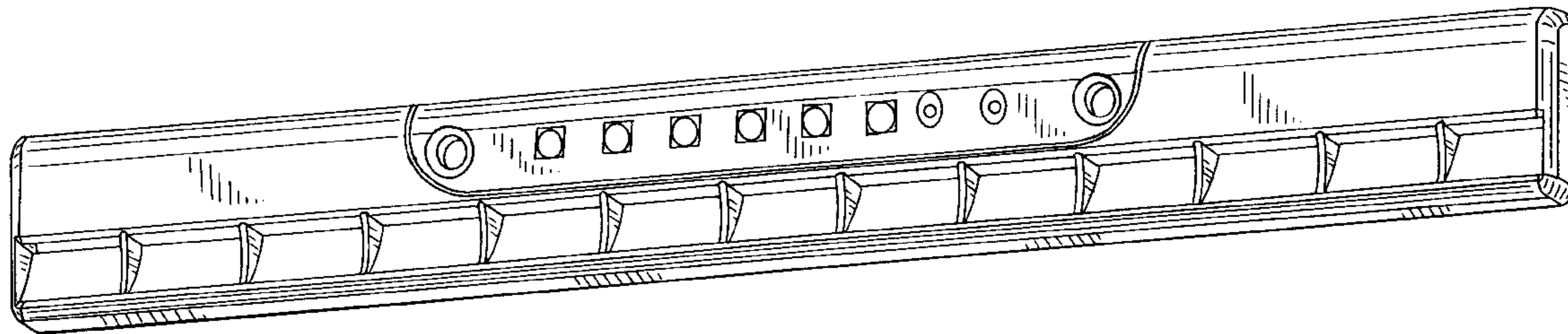
[57] **CLAIM**

The ornamental design for an exhaust vent, as shown and described.

**DESCRIPTION**

FIG. 1 is a front right perspective view of an exhaust vent;  
FIG. 2 is a front view thereof;  
FIG. 3 is a top view thereof;  
FIG. 4 is a left side view thereof;  
FIG. 5 is a right side view thereof;  
FIG. 6 is a rear view thereof; and,  
FIG. 7 is a bottom view thereof.

**1 Claim, 2 Drawing Sheets**



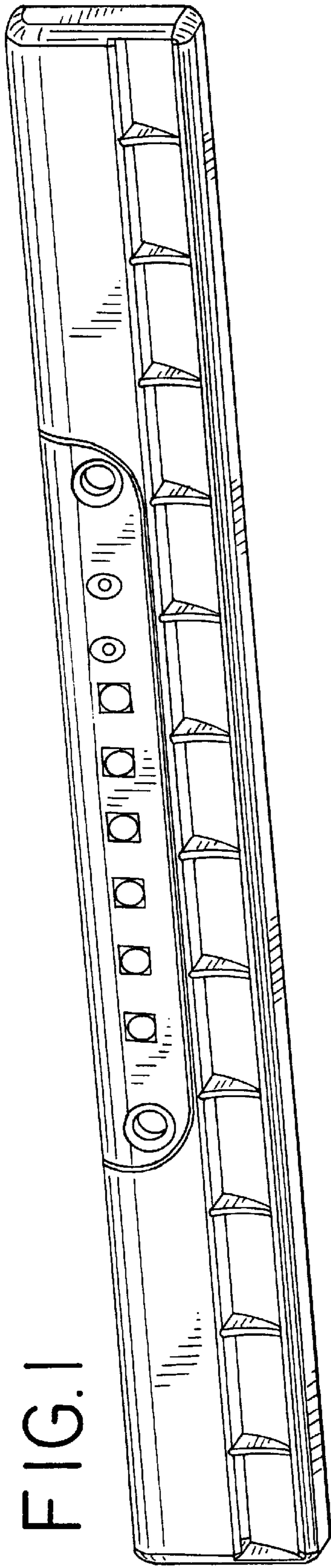


FIG. 2

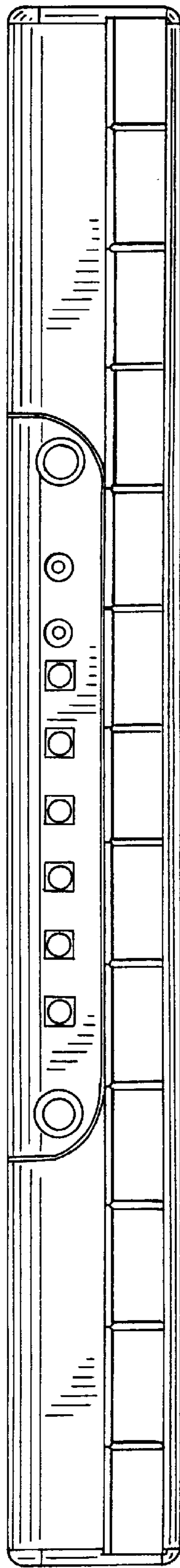


FIG. 3



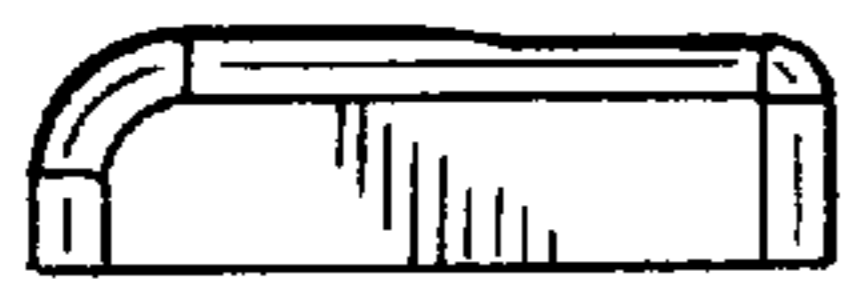


FIG. 4

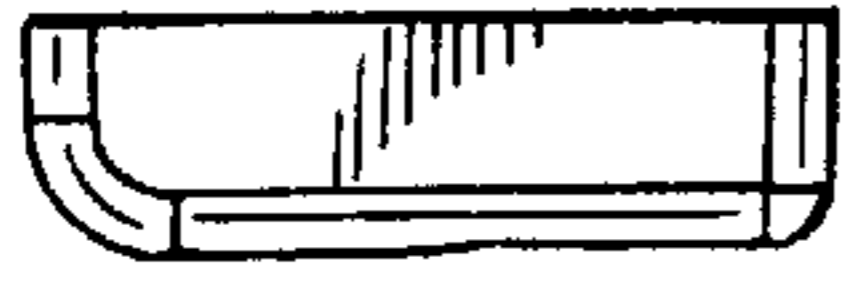


FIG. 5

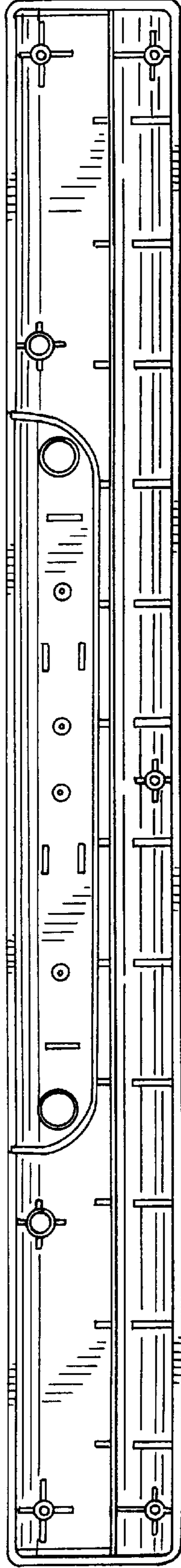


FIG. 6



FIG. 7