



US00D434880S

United States Patent [19]

McNary et al.

[11] Patent Number: Des. 434,880

[45] Date of Patent: ** Dec. 5, 2000

[54] WALL HUNG TOPICAL FISH TANK

[76] Inventors: Glenn McNary; Cindy McNary, both of 540 Orange Ave. #2, Coronado, Calif. 92118

[**] Term: 14 Years

[21] Appl. No.: 29/081,997

[22] Filed: Jan. 13, 1998

[51] LOC (7) Cl. 30-02

[52] U.S. Cl. D30/101

[58] Field of Search D30/101-107; 119/245-258, 51.04; 362/101, 97, 130; 210/416.2; 428/7; 47/69; D11/145; D6/470; D19/75, 86; D25/52; 224/231; 206/349

[56] References Cited

U.S. PATENT DOCUMENTS

D. 41,977	12/1911	Jacob	D30/101
D. 169,866	6/1953	Rice	D30/101
D. 244,099	4/1977	Robert	D30/101
D. 244,553	5/1977	Robert	D30/101
D. 255,274	6/1980	Robert	D30/105
D. 255,500	6/1980	Robert	D30/105
D. 264,481	5/1982	Russo	D19/75
D. 395,089	6/1998	Current	D25/123
D. 398,648	9/1998	Matthews	D19/75
490,122	1/1893	Magargal	224/231
1,201,159	10/1916	Dettmer	224/231
2,144,551	1/1939	Skolnick	119/257
3,874,336	4/1975	Murphy	119/257
5,282,438	2/1994	McLaughlin	119/248

OTHER PUBLICATIONS

GM Aquatics catalog; Sep. 19, 1992; Cover page; the WallArium.
Zenco Quality Products catalog; 1954; p. 71 WN-102; inside filter.

Glynco Plastics Inc.; Jul. 1983; p. 1; acrylic container.

The Plastic Showcase; Sep. 1985; p. 8; 8D Magazine holder #2054-010.

Display Innovations in Acrylic; Mar. 1987; p. 12; Wall Mount Magazine Rack #1478.

Display Innovations in Acrylic; 3-1987; p. 12; Wall Mount Single Hosiery Bins #1420; Design Library—Inovations '87 Box.

Display Innovations in Acrylic; Mar. 1987; p. 3; Hanging or Wall Mount Signholders #1390.

J.D. Acrylics; Aug. 1983; Wall Mount Literature Holders.

Karmel Plastics 40th year catalog; 1980; #931.

Primary Examiner—Cathy Anne MacCormac
Attorney, Agent, or Firm—Frank D. Gilliam

[57] CLAIM

The ornamental design for a wall hung tropical fish tank, as shown and described.

DESCRIPTION

FIG. 1 is a front perspective view of a wall hung tropical fish tank; showing our new design;

FIG. 2 is a rear elevation view thereof;

FIG. 3 is a top plan view thereof;

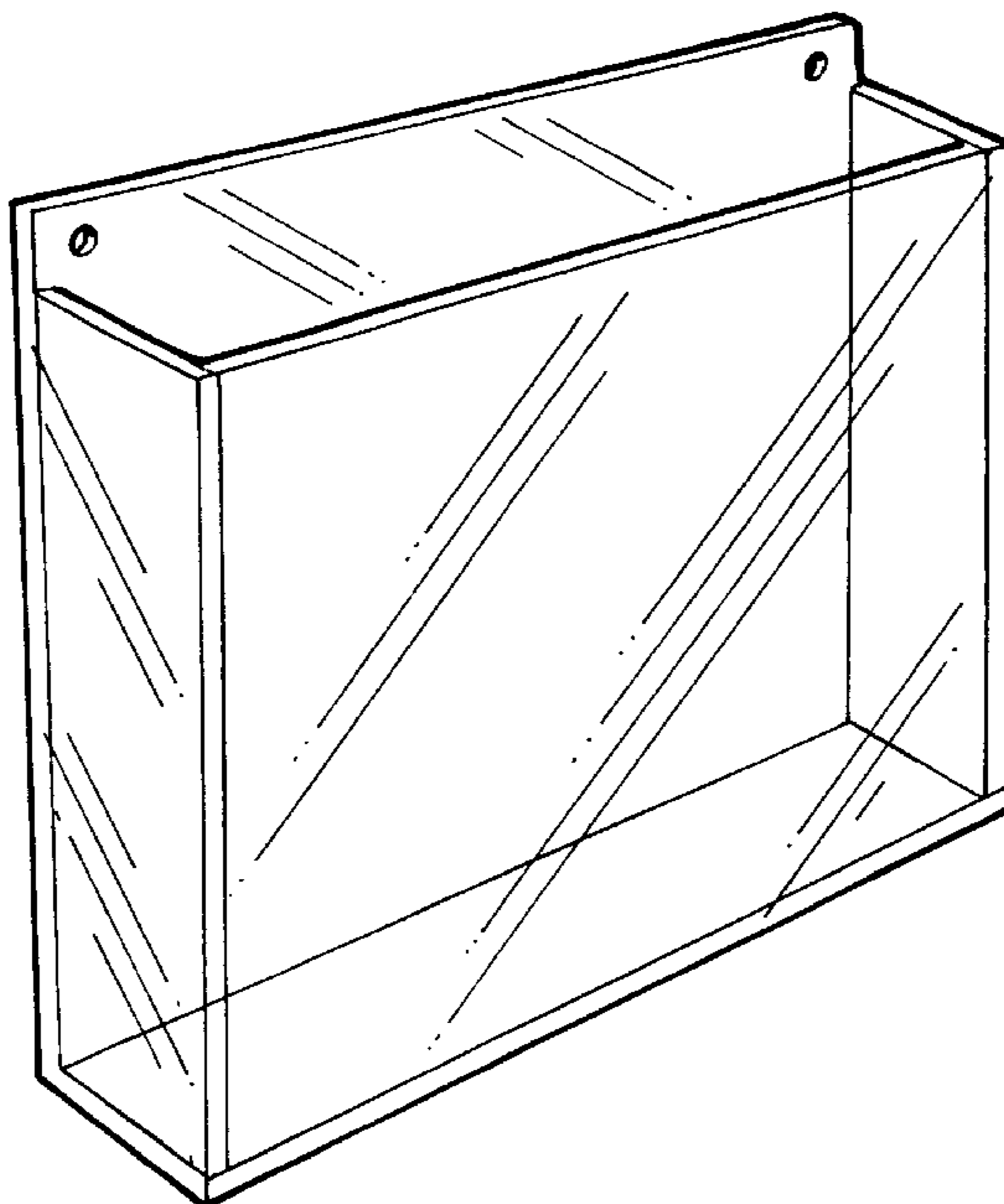
FIG. 4 is a left elevational view thereof;

FIG. 5 is a front elevational view thereof;

FIG. 6 is a right elevational view thereof; and,

FIG. 7 is a bottom view, thereof.

1 Claim, 1 Drawing Sheet



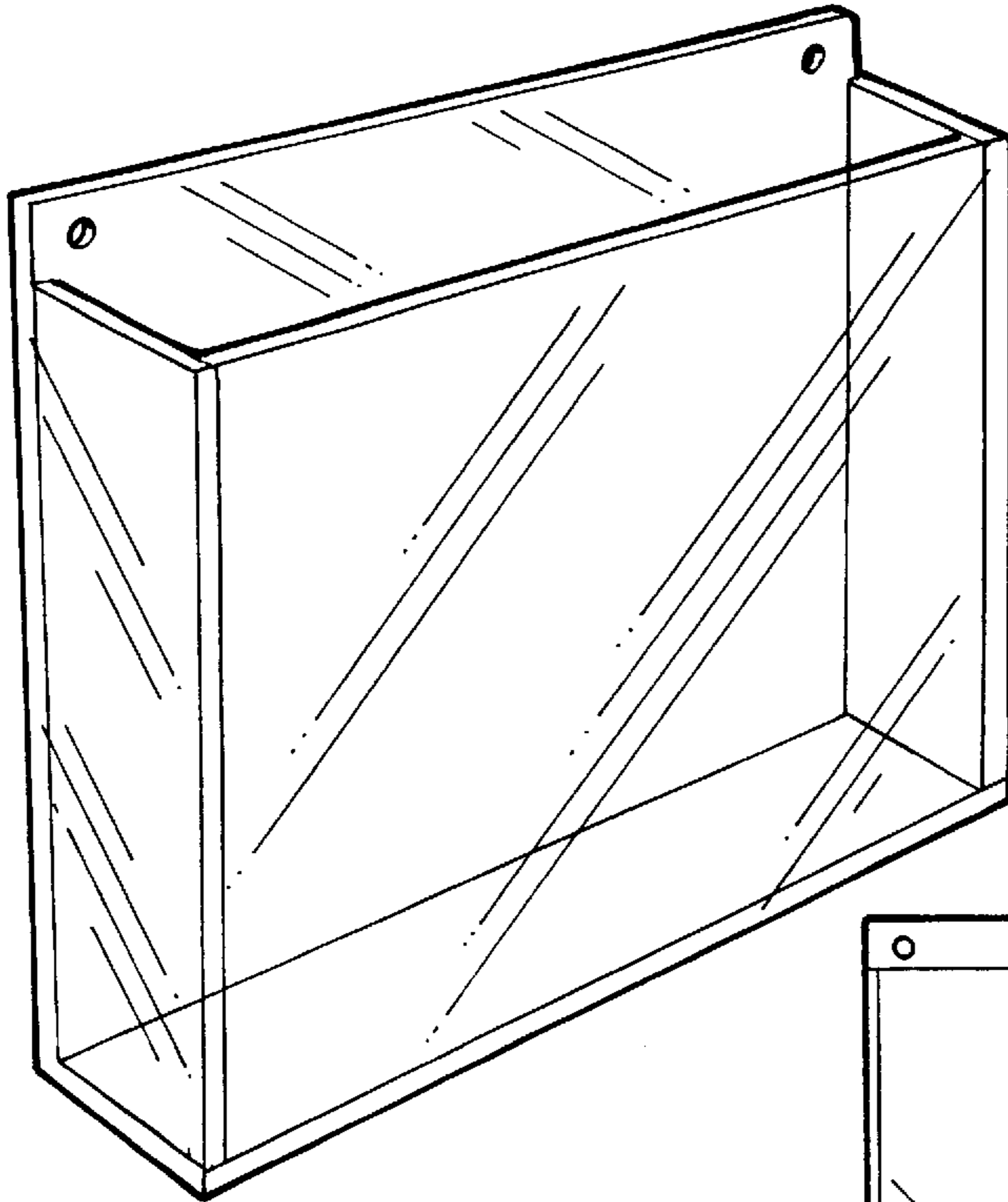


FIGURE 1

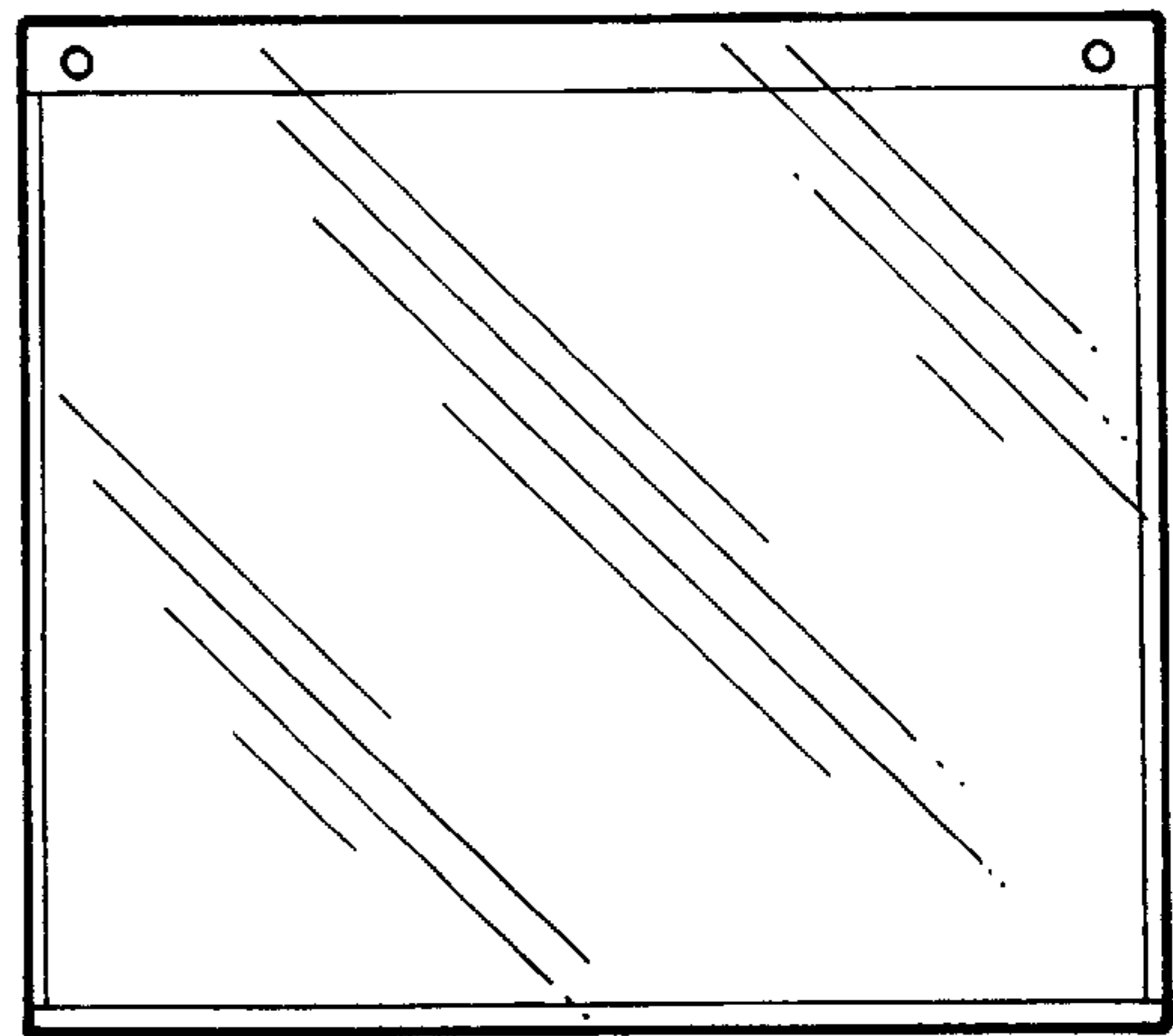


FIGURE 2

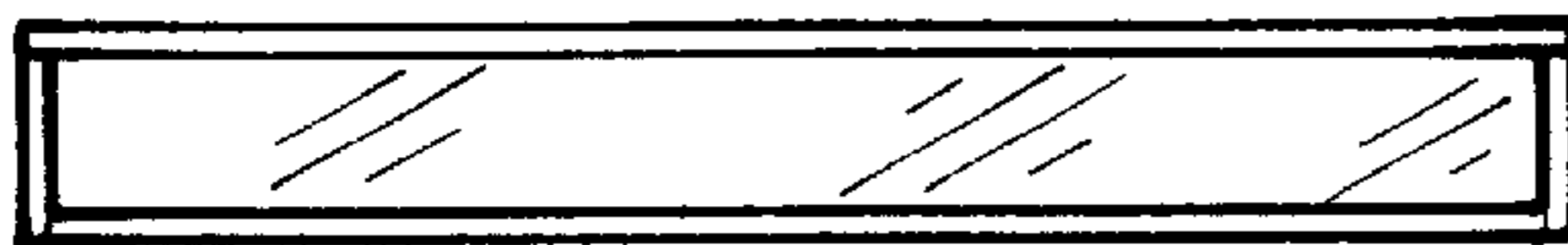


FIGURE 3



FIGURE 4

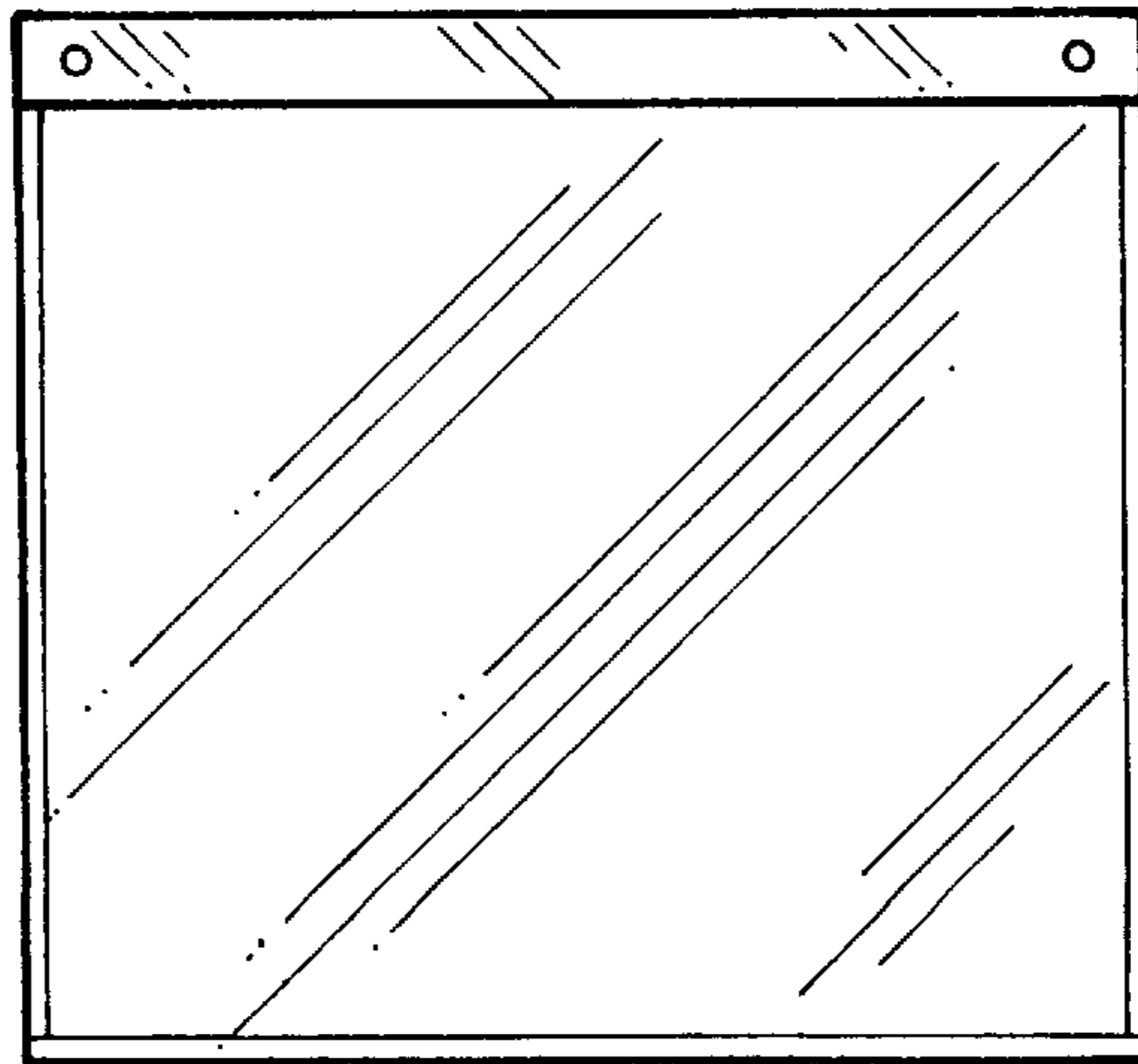


FIGURE 5



FIGURE 6

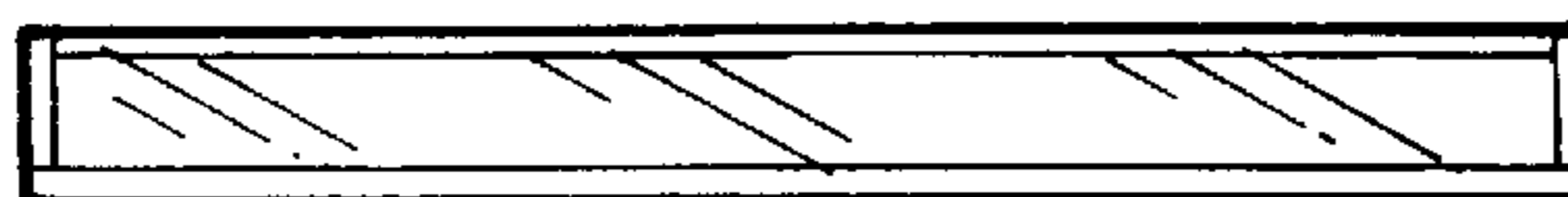


FIGURE 7

UNITED STATES PATENT AND TRADEMARK OFFICE
CERTIFICATE OF CORRECTION

PATENT NO. : Des 434,880
DATED : December 5, 2000
INVENTOR(S) : Glenn McNary; Cindy McNary

Page 1 of 1

It is certified that error appears in the above-identified patent and that said Letters Patent is hereby corrected as shown below:

Title page,

Item [54], please correct title to read as follows: WALL HUNG TROPICAL FISH
TANK

Signed and Sealed this

Second Day of October, 2001

Attest:

Nicholas P. Godici

Attesting Officer

NICHOLAS P. GODICI
Acting Director of the United States Patent and Trademark Office