



US00D434874S

United States Patent [19]

[11] **Patent Number: Des. 434,874**

Lehat

[45] **Date of Patent: ** Dec. 5, 2000**

[54] **ASH TRAY**

Primary Examiner—Susan J. Lucas
Assistant Examiner—Jennifer Rivard

[76] Inventor: **Douglas Lehat**, 7 Urban Dr., Selden, N.Y. 11784

[57] **CLAIM**

[**] Term: **14 Years**

The ornamental design for a ash tray, as shown and described.

[21] Appl. No.: **29/120,718**

DESCRIPTION

[22] Filed: **Mar. 24, 2000**

FIG. 1 is a front elevational view of the ash tray of the present invention;

[51] **LOC (7) Cl.** **27-03**

FIG. 2 is a rear elevational view of the ash tray of FIG. 1;

[52] **U.S. Cl.** **D27/105**

FIG. 3 is a left side elevational view of the ash tray of FIG. 1;

[58] **Field of Search** D27/102, 104, D27/105, 133, 134, 135; 131/231, 235.1, 240.1, 241, 242

FIG. 4 is a right side elevational view of the ash tray of FIG. 1;

[56] **References Cited**

FIG. 5 is a top plan view of the ash tray of FIG. 1;

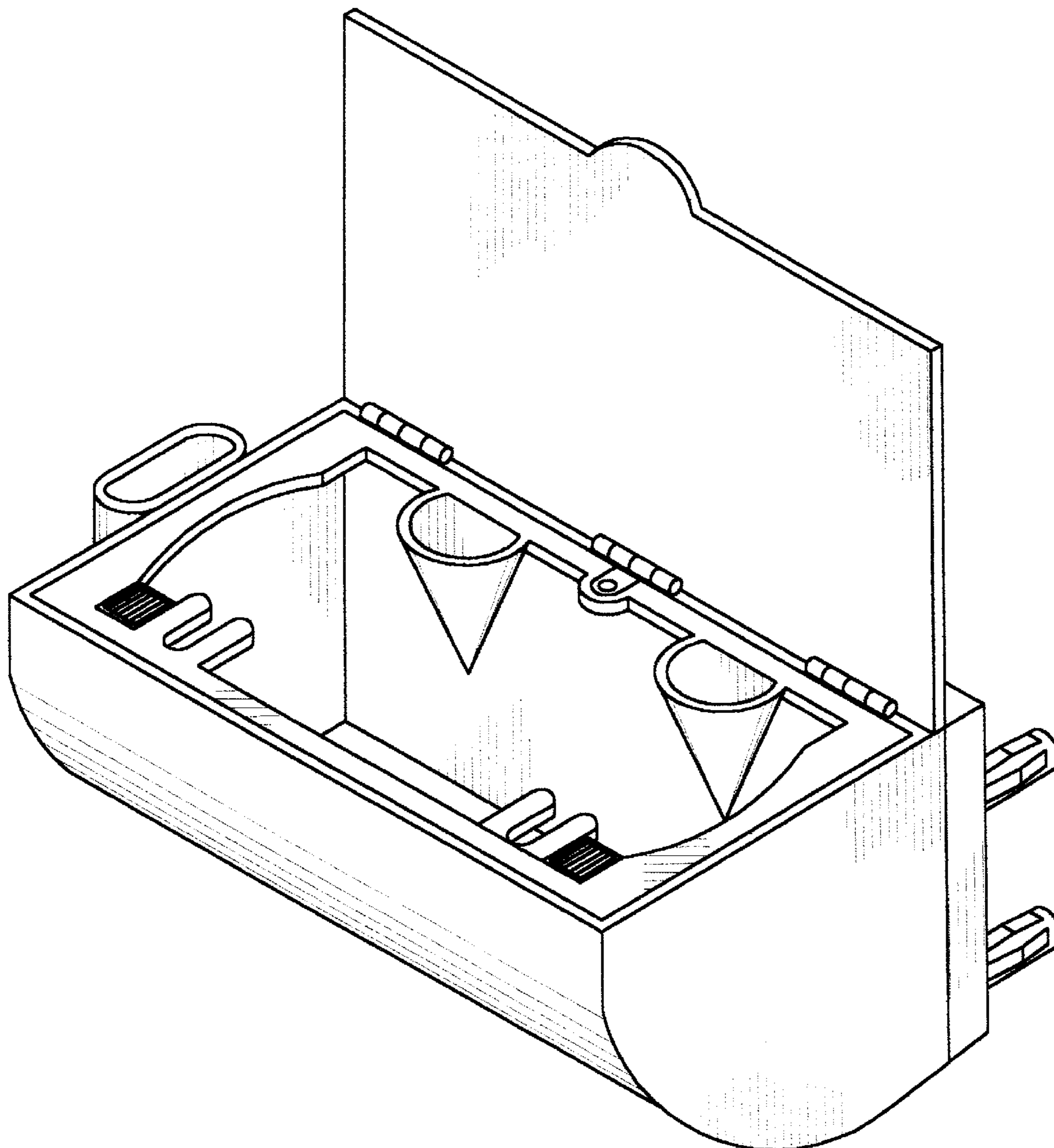
U.S. PATENT DOCUMENTS

FIG. 6 is a bottom plan view of the ash tray of FIG. 1; and,

FIG. 7 is a top, front, right side perspective view of the ash tray of FIG. 1.

- D. 118,880 1/1940 Visser D27/105
- D. 279,719 7/1985 Tanaka D27/105

1 Claim, 4 Drawing Sheets



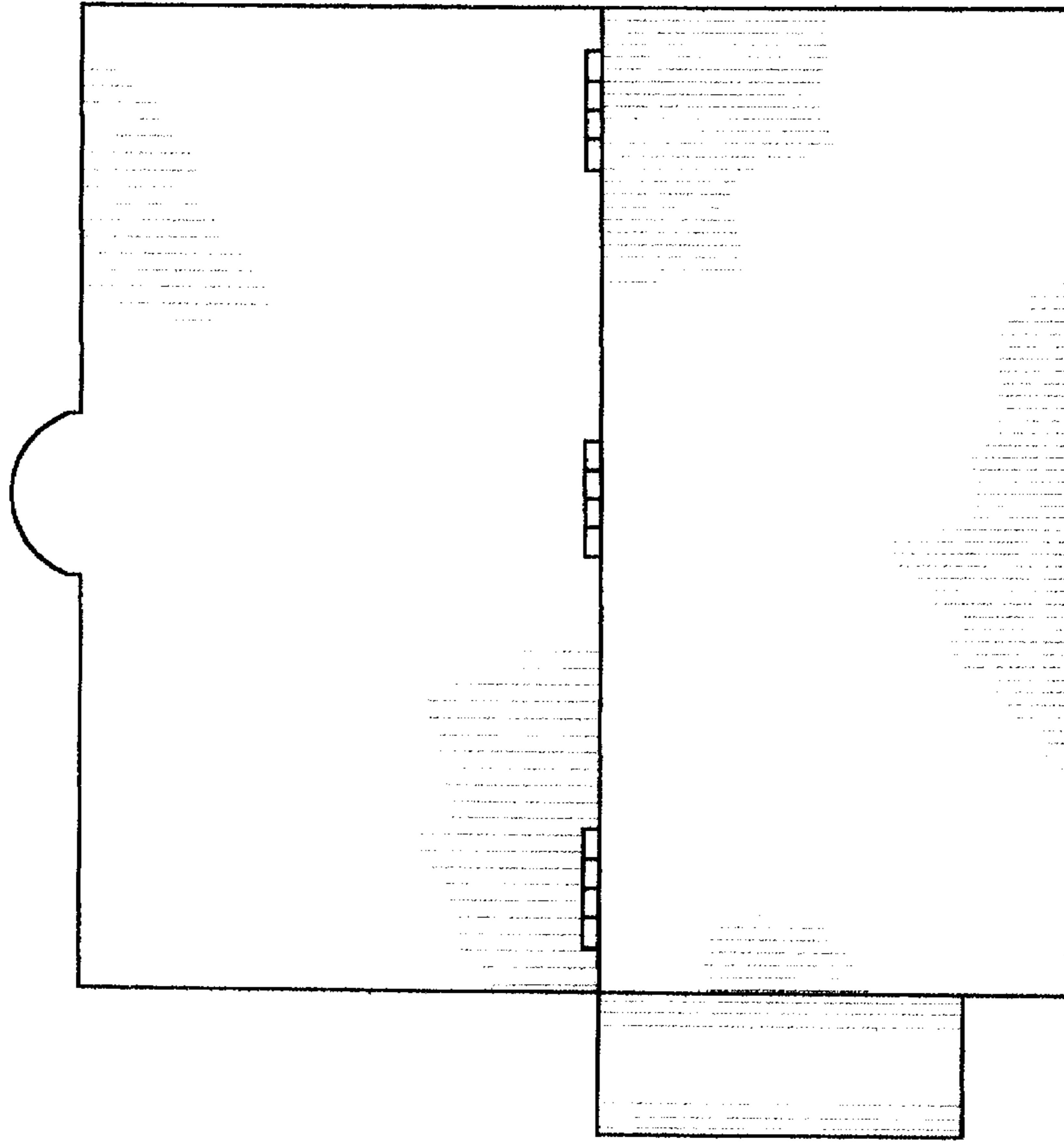


FIG. 1

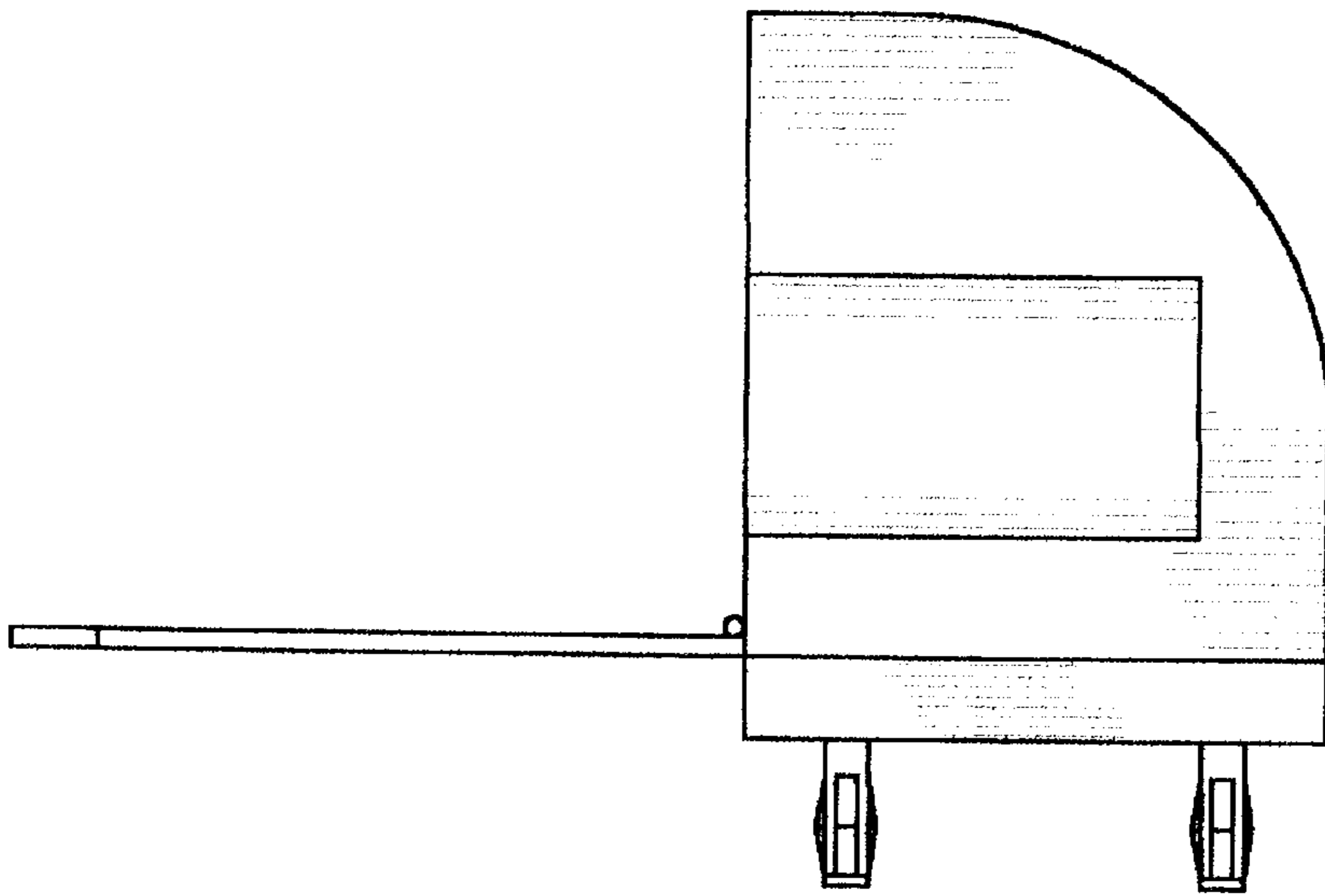


FIG. 3

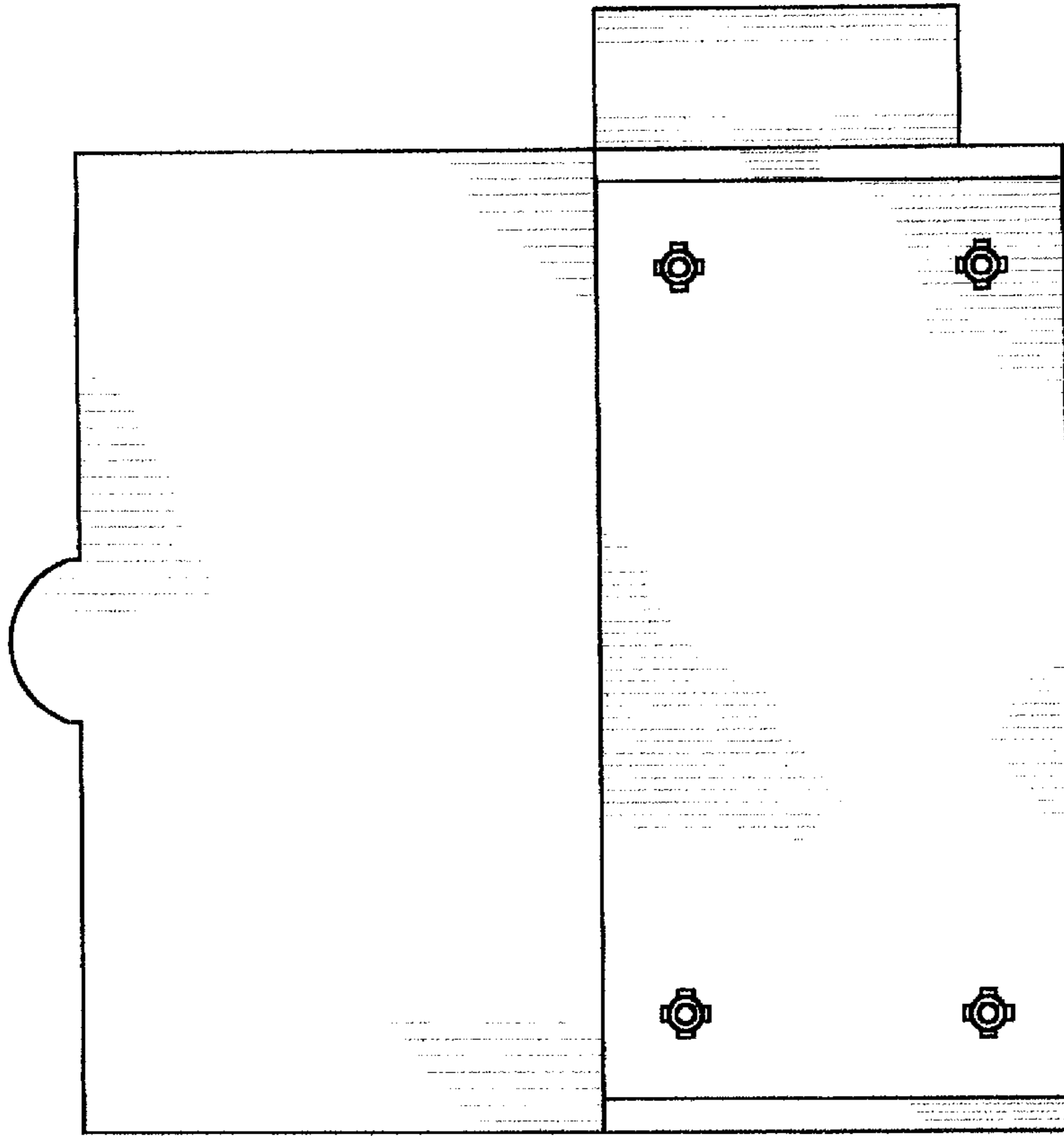


FIG. 2

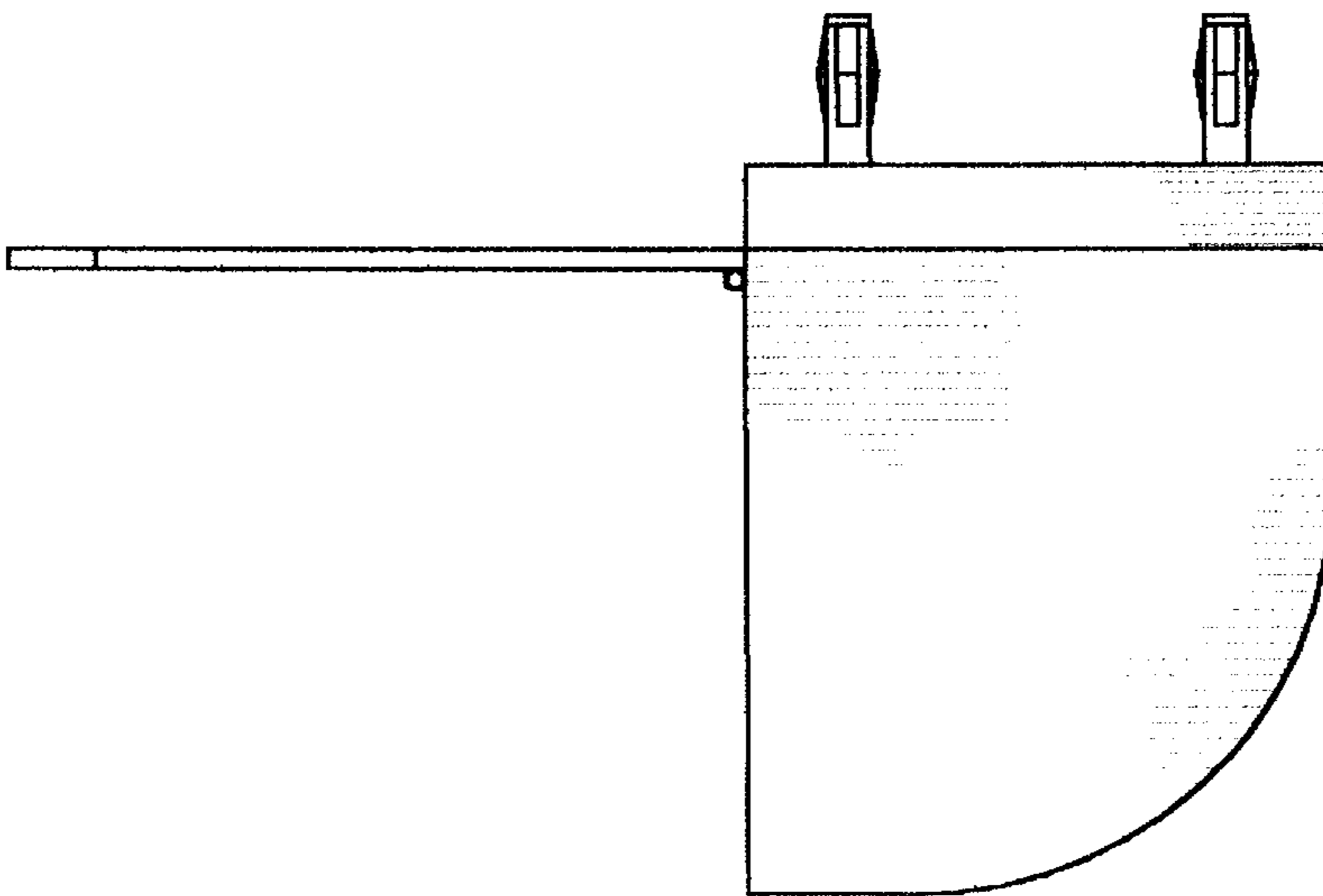


FIG. 4

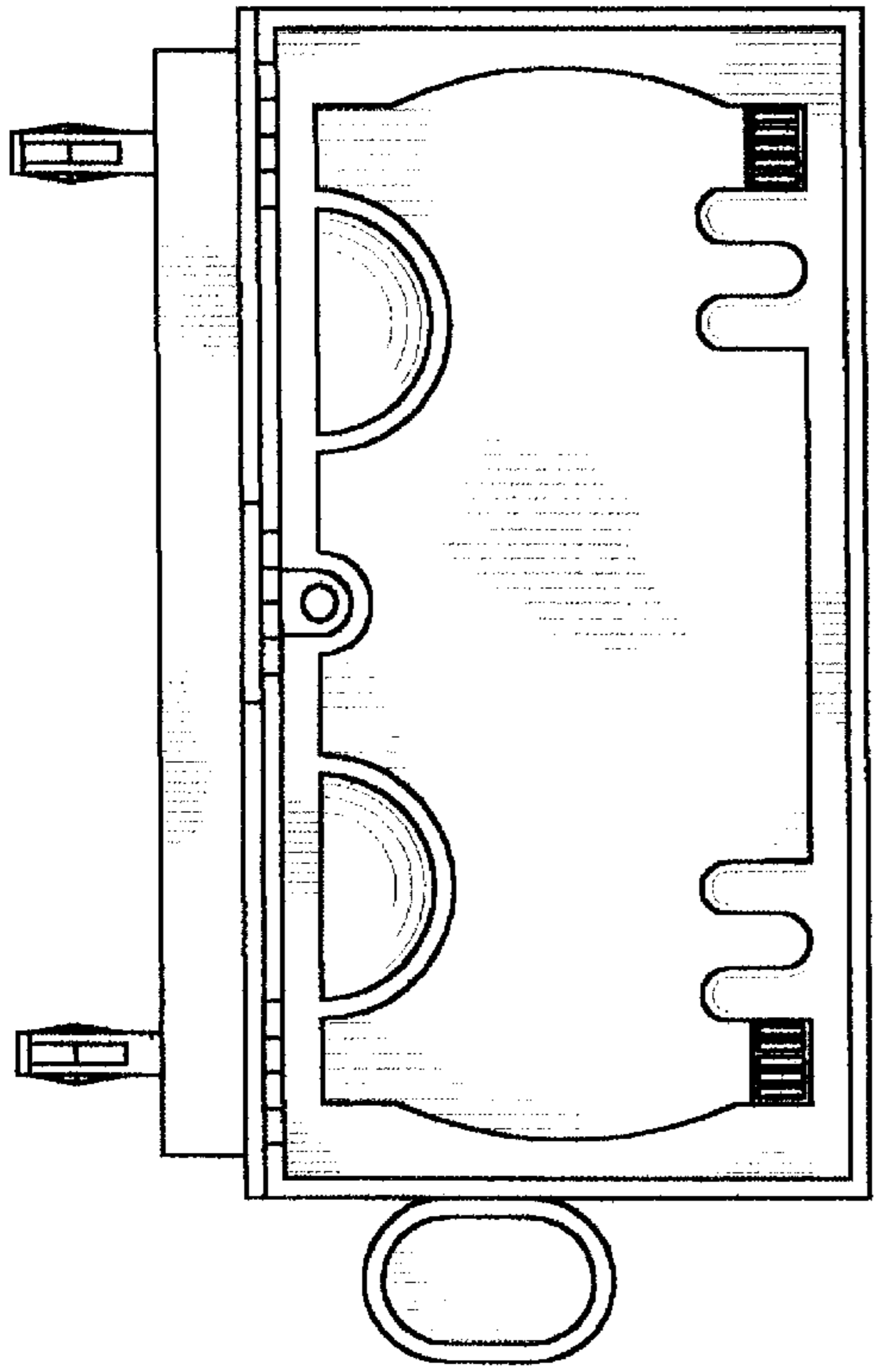


FIG. 5

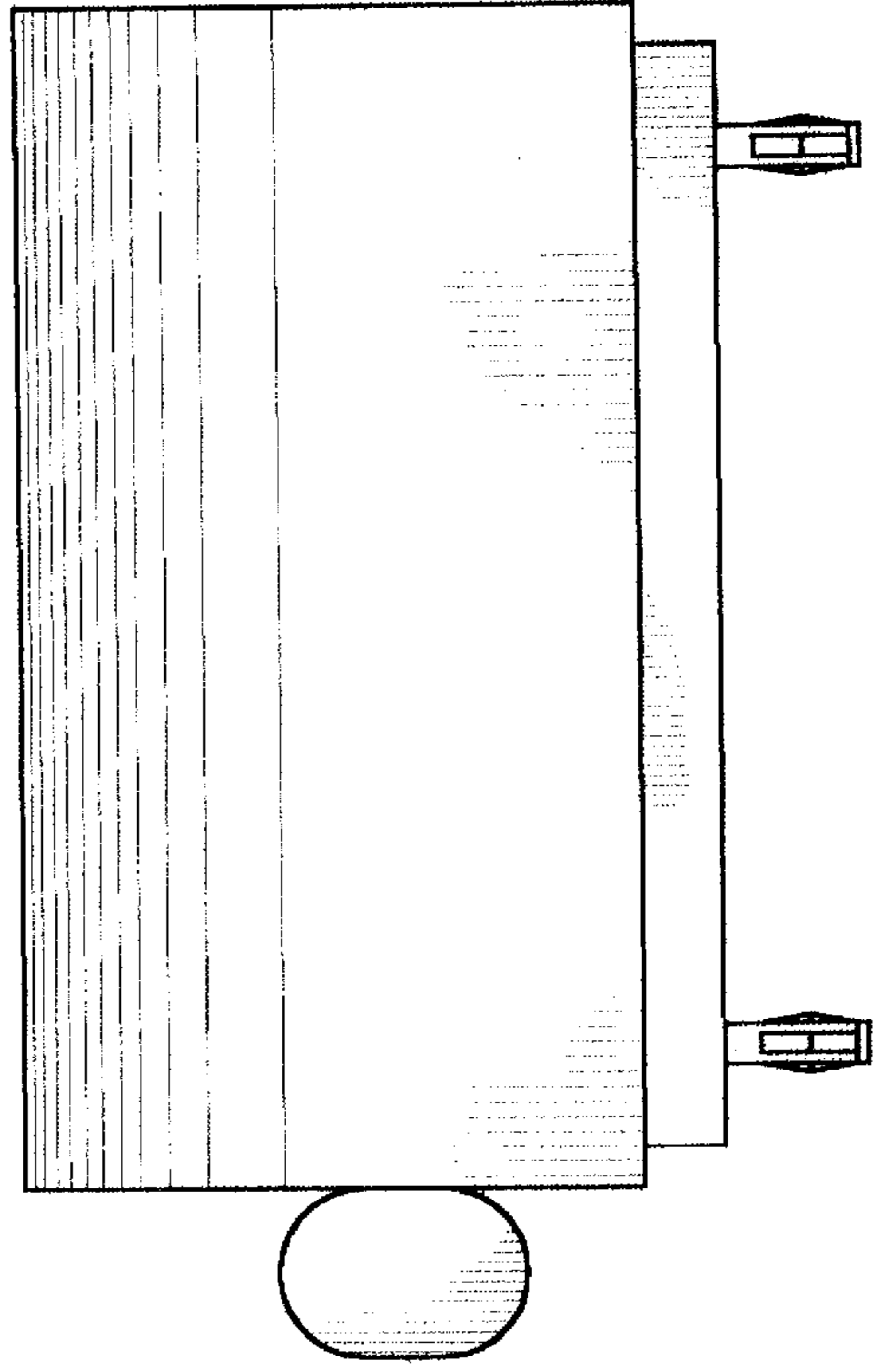


FIG. 6

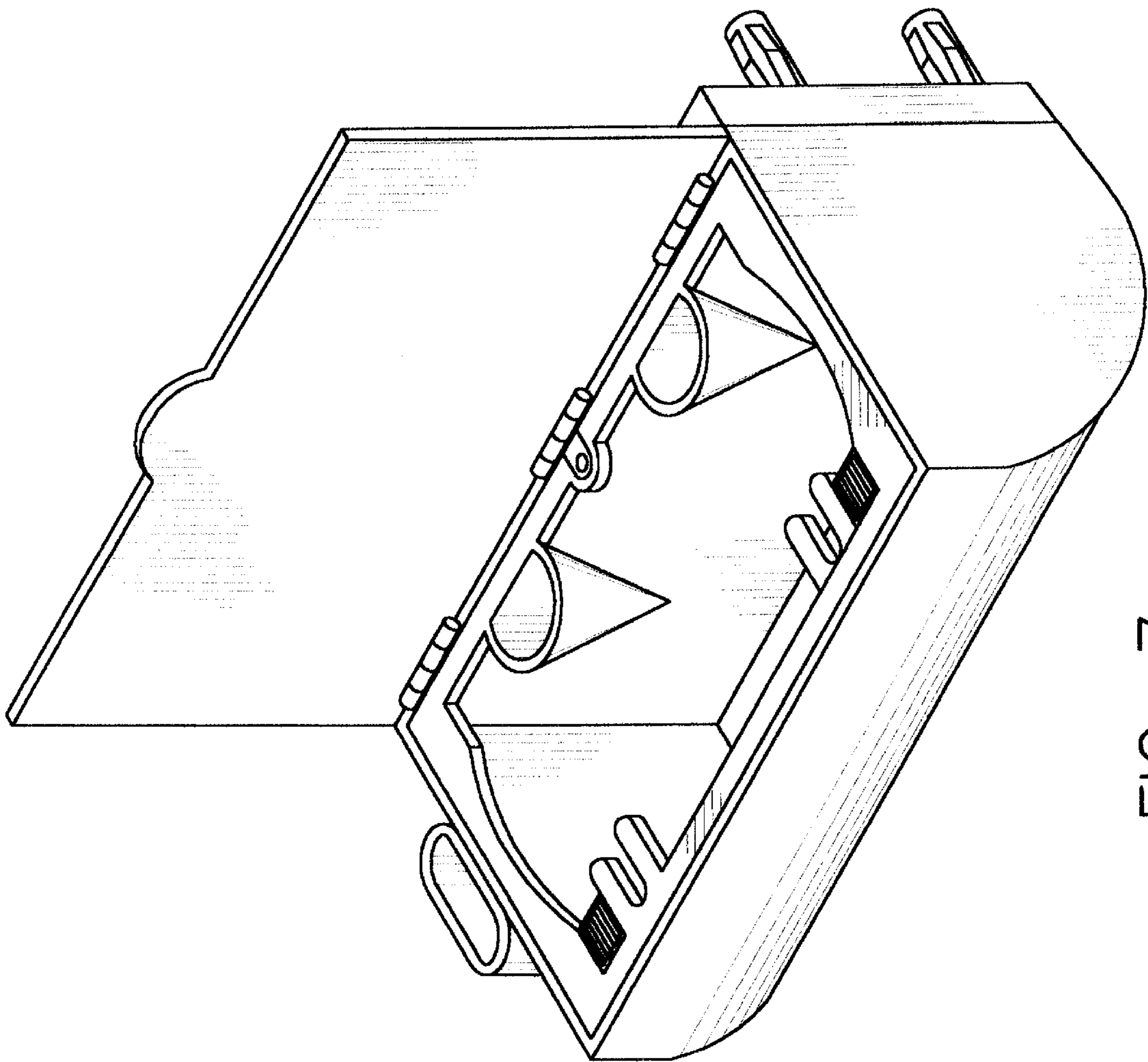


FIG. 7