



US00D434870S

United States Patent [19]

Hsu

[11] Patent Number: **Des. 434,870**

[45] Date of Patent: **** Dec. 5, 2000**

[54] **FLOOR LAMP**

[75] Inventor: **Keen Hsu**, Taichung, Taiwan

[73] Assignee: **Bright Yin Huey Co., Ltd.**, Taichung, Taiwan

[**] Term: **14 Years**

[21] Appl. No.: **29/103,728**

[22] Filed: **Apr. 21, 1999**

[51] **LOC (7) Cl.** **26-03**

[52] **U.S. Cl.** **D26/93**

[58] **Field of Search** D26/93-112; 362/410-414

[56] **References Cited**

PUBLICATIONS

Taiwan Lighting, p. 95, Lamp (A), left side of page, Feb. 23, 2000.

Primary Examiner—Lisa Lichtenstein

Attorney, Agent, or Firm—Rosenberg, Klein & Lee

[57] **CLAIM**

The ornamental design for a floor lamp, as shown and described.

DESCRIPTION

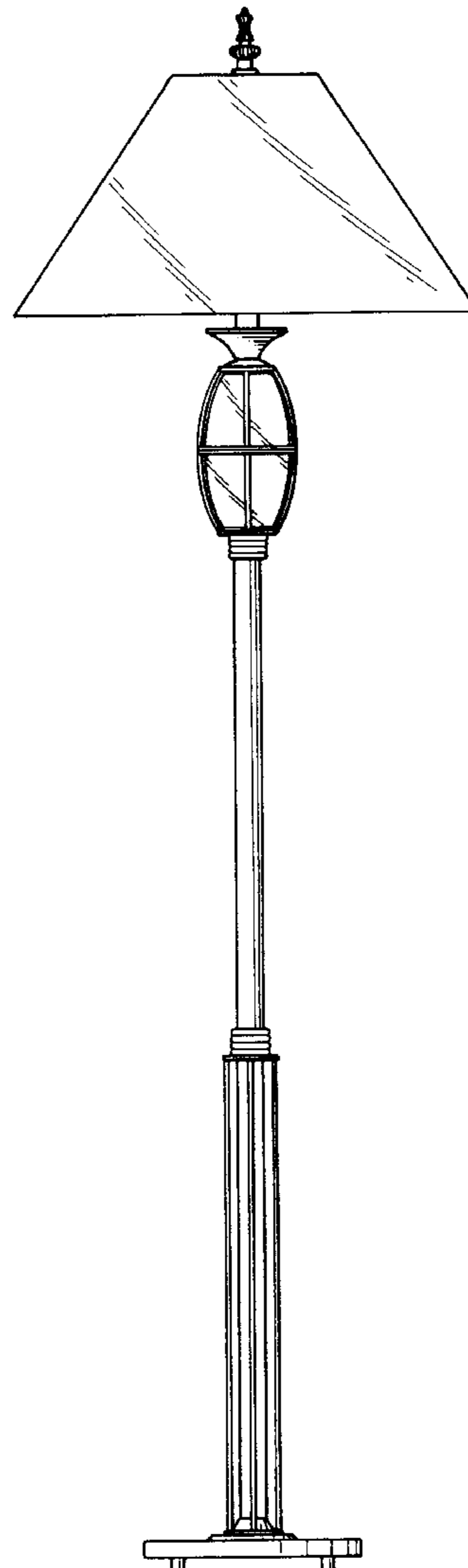
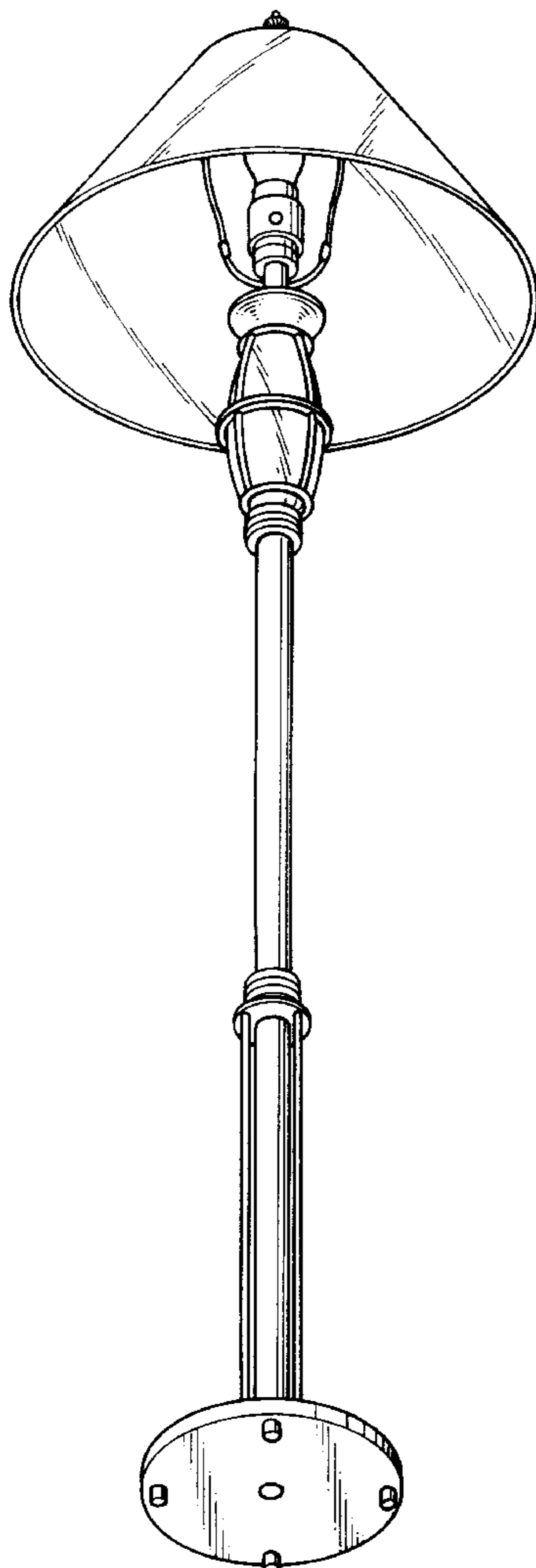
FIG. 1 is a perspective view of floor lamp showing my new design;

FIG. 2 is a front elevation view thereof, the rear, left and the right side elevation view thereof being identical in appearance;

FIG. 3 is a top plan view thereof; and,

FIG. 4 is a bottom plan view thereof.

1 Claim, 3 Drawing Sheets



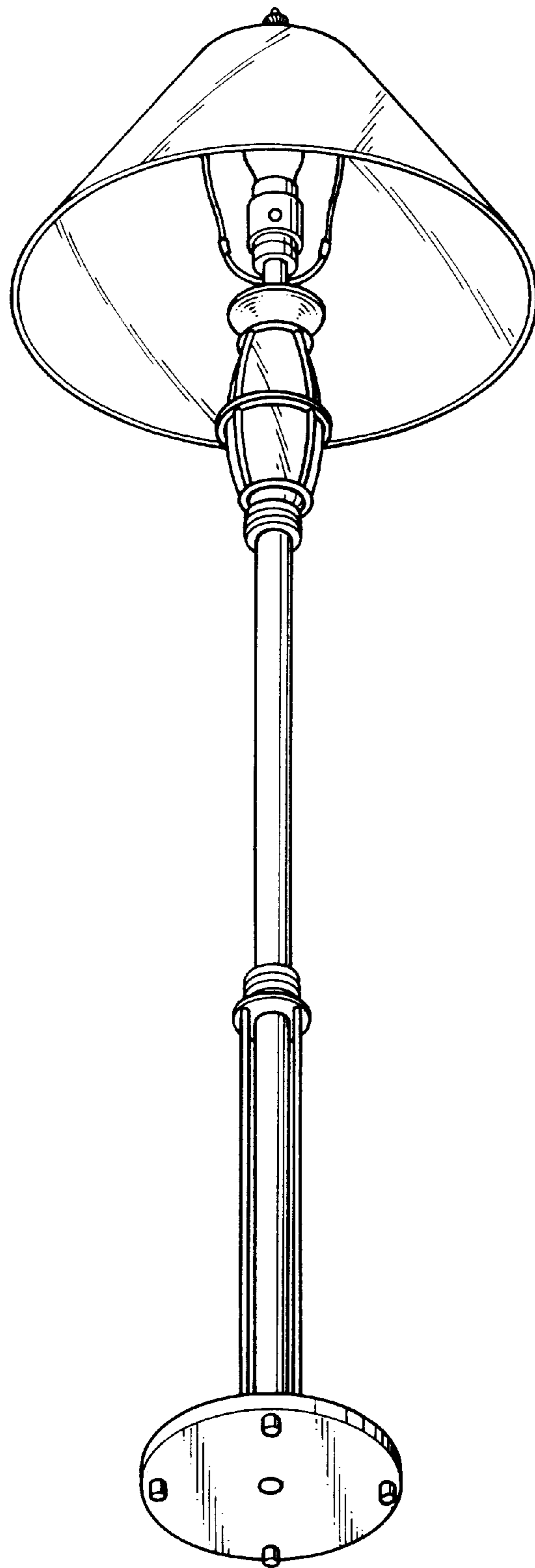


FIG. 1

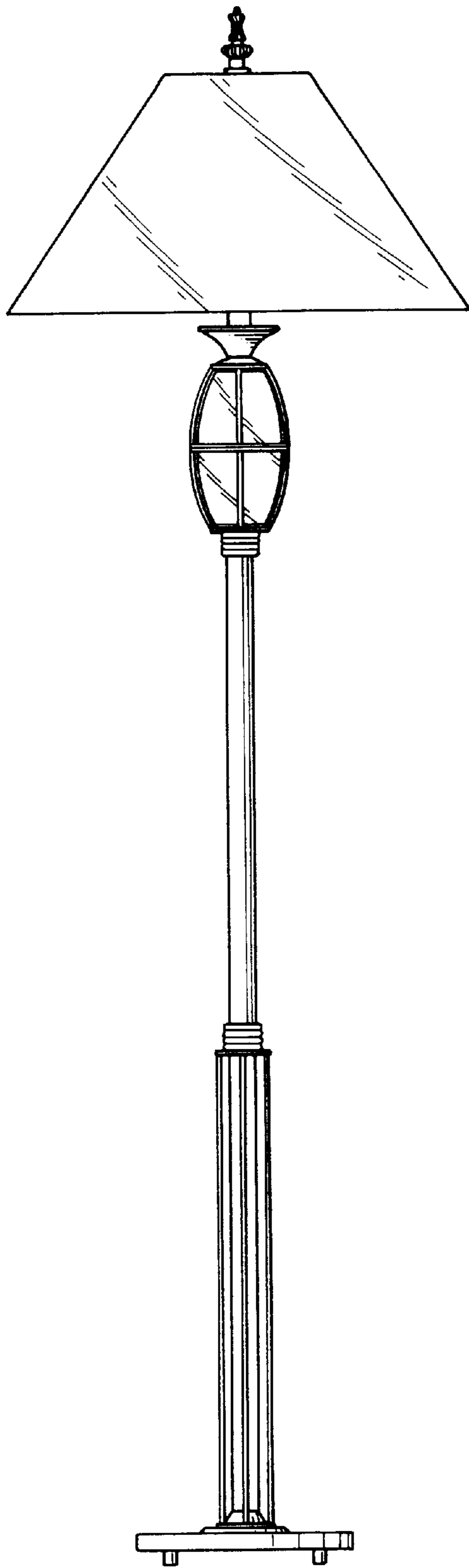


FIG. 2

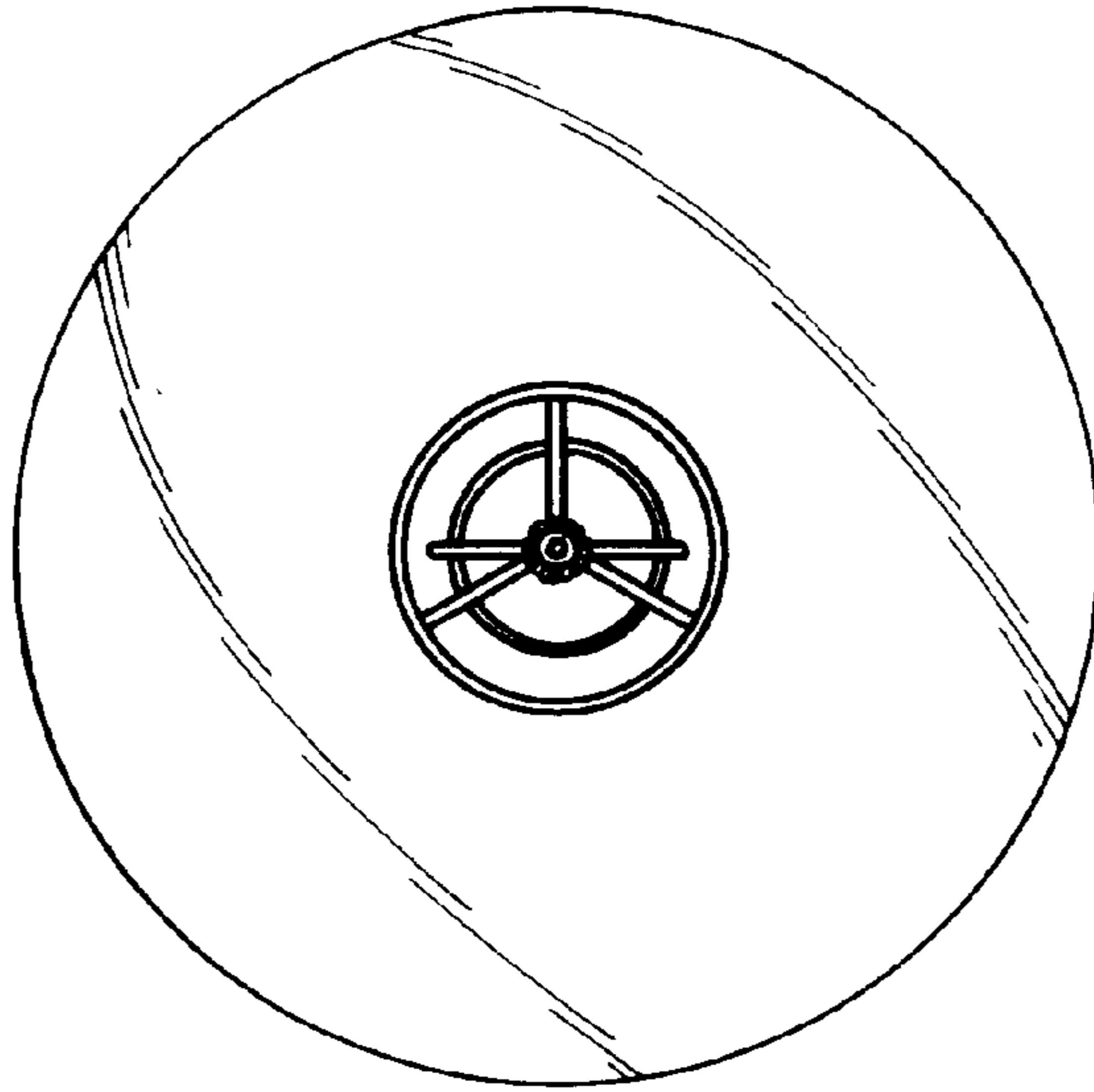


FIG. 3

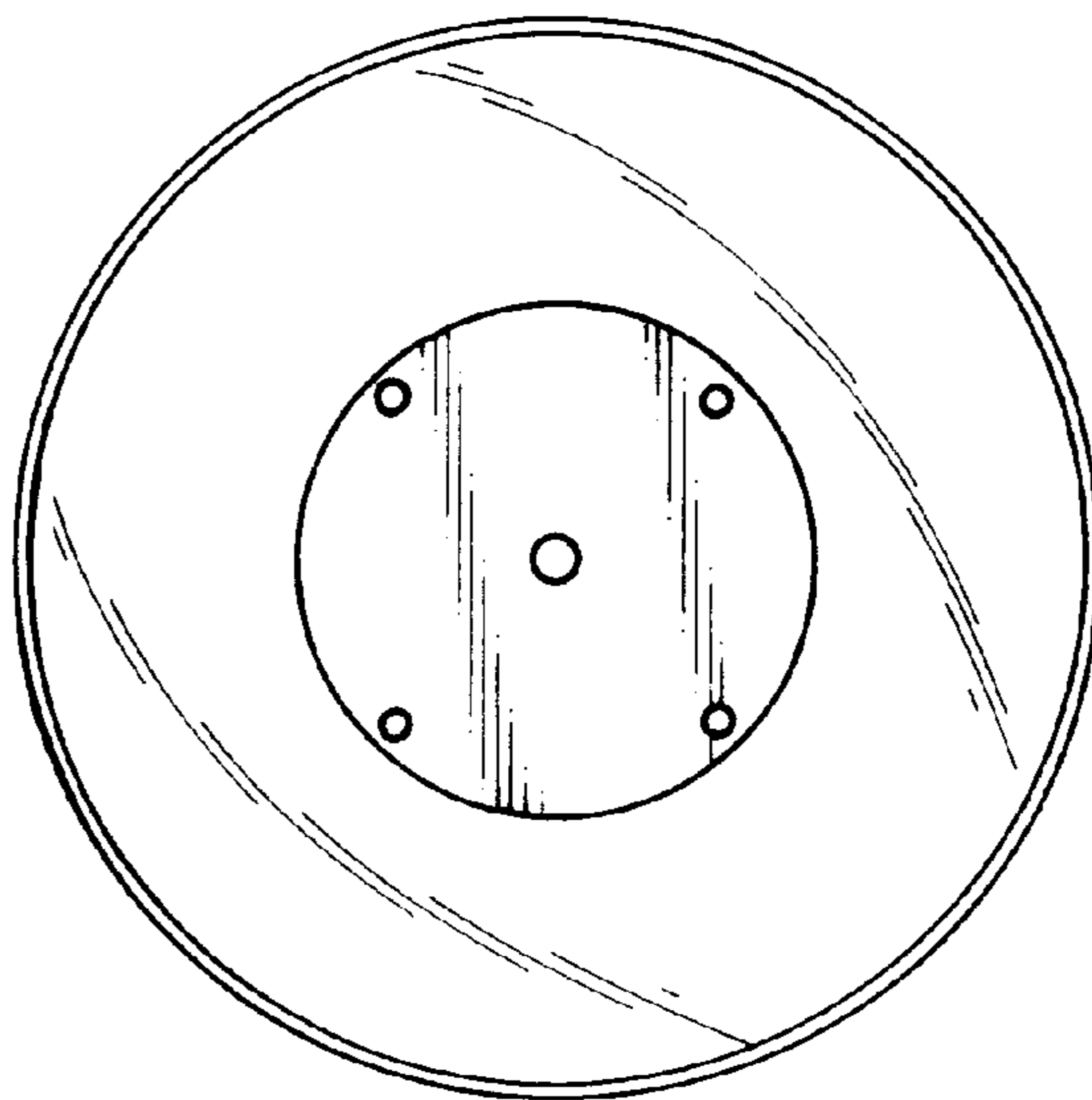


FIG. 4