



US00D434868S

United States Patent [19] Trigiani

[11] Patent Number: **Des. 434,868**

[45] Date of Patent: **** Dec. 5, 2000**

[54] **INSPECTION LAMP FOR FLUORESCENCE DETECTION IN AIR CONDITIONING SYSTEMS**

[75] Inventor: **Phil Trigiani**, Mississauga, Canada

[73] Assignee: **UView Ultraviolet Systems, Inc.**, Mississauga, Canada

[**] Term: **14 Years**

[21] Appl. No.: **29/121,764**

[22] Filed: **Apr. 12, 2000**

[51] **LOC (7) Cl.** **26-02**

[52] **U.S. Cl.** **D26/45**

[58] **Field of Search** D26/37-50; 362/157, 362/158, 183-208, 258

[56] **References Cited**

U.S. PATENT DOCUMENTS

D. 300,470	3/1989	Schmidt et al.	D26/45
D. 301,752	6/1989	Osterhout	D26/45
D. 342,582	12/1993	Young	D26/45
5,816,692	10/1998	Cooper et al. .	

5,905,268 5/1999 Garcia et al. .

Primary Examiner—Marcus A. Jackson
Attorney, Agent, or Firm—Bell, Boyd & Lloyd LLC

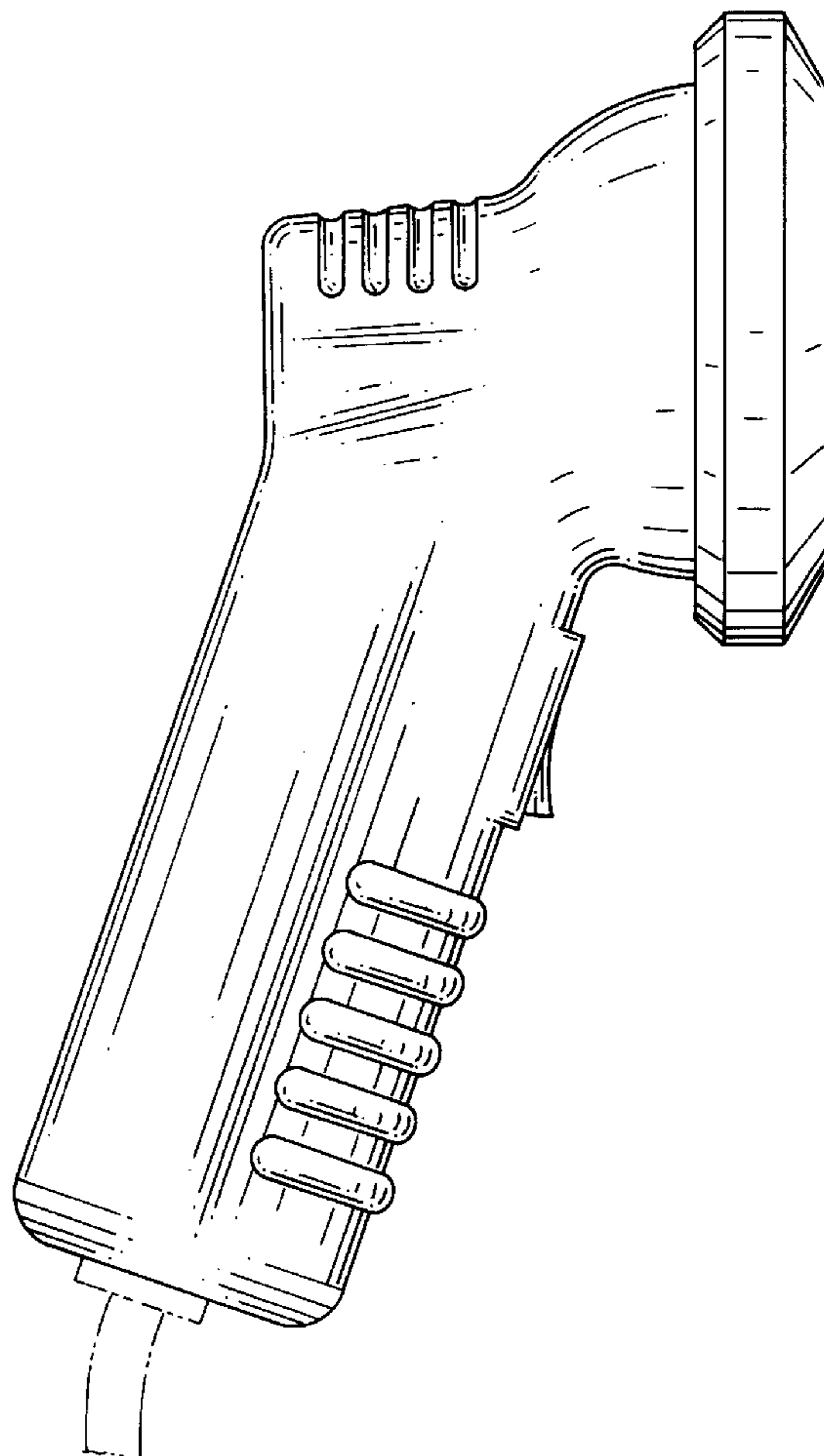
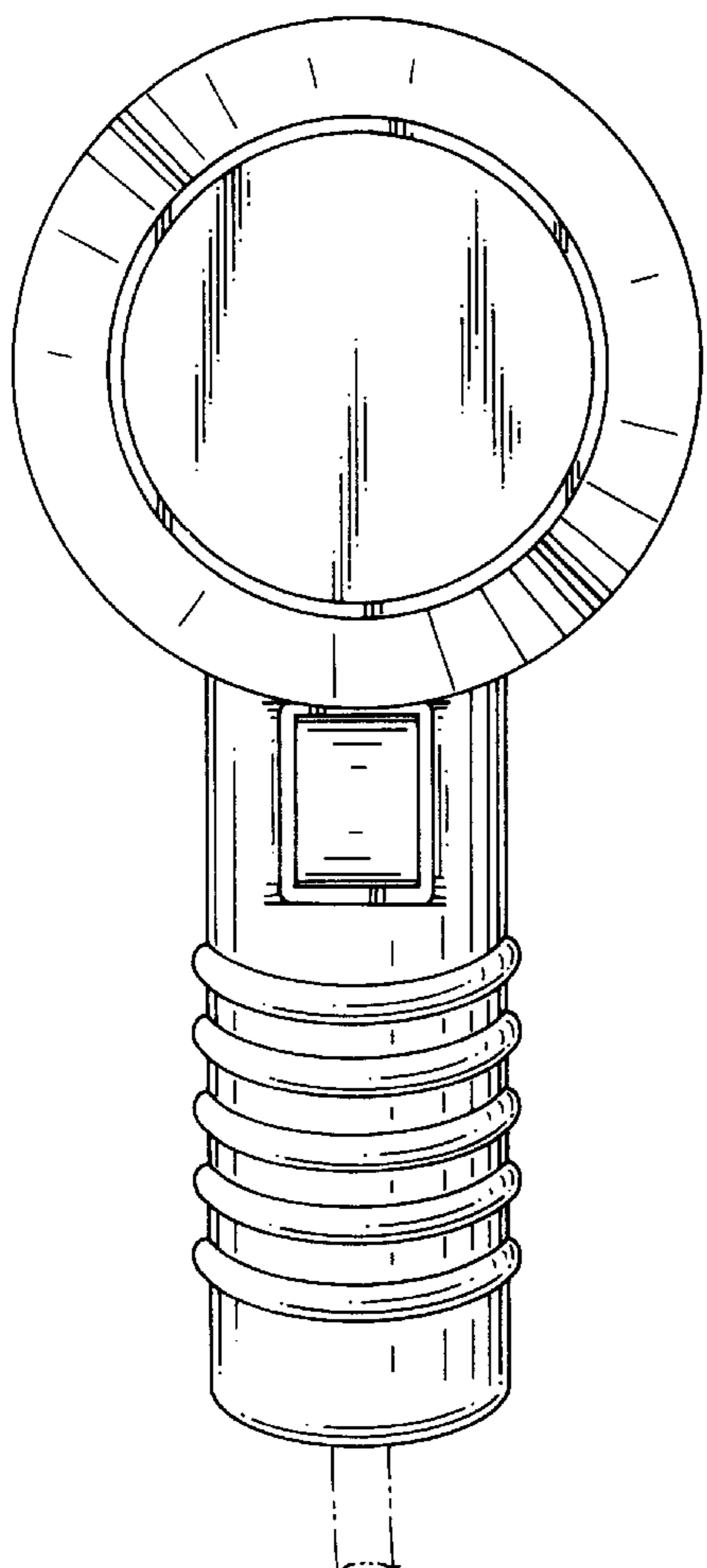
[57] **CLAIM**

The ornamental design of an inspection lamp for fluorescence detection in air conditioning systems, as shown and described.

DESCRIPTION

FIG. 1 is a front view of the inspection lamp for fluorescence detection in air conditioning systems, with the broken line showing for illustrative purposes only and forming no part of the claimed;
FIG. 2 is a back view of the inspection lamp for fluorescence detection in air conditioning systems.
FIG. 3 is a top view of the inspection lamp for fluorescence detection in air conditioning systems.
FIG. 4 is a bottom view of the inspection lamp for fluorescence detection in air conditioning systems; and,
FIG. 5 is a side view of the inspection lamp for fluorescence detection in air conditioning systems. The opposite side is identical.

1 Claim, 4 Drawing Sheets



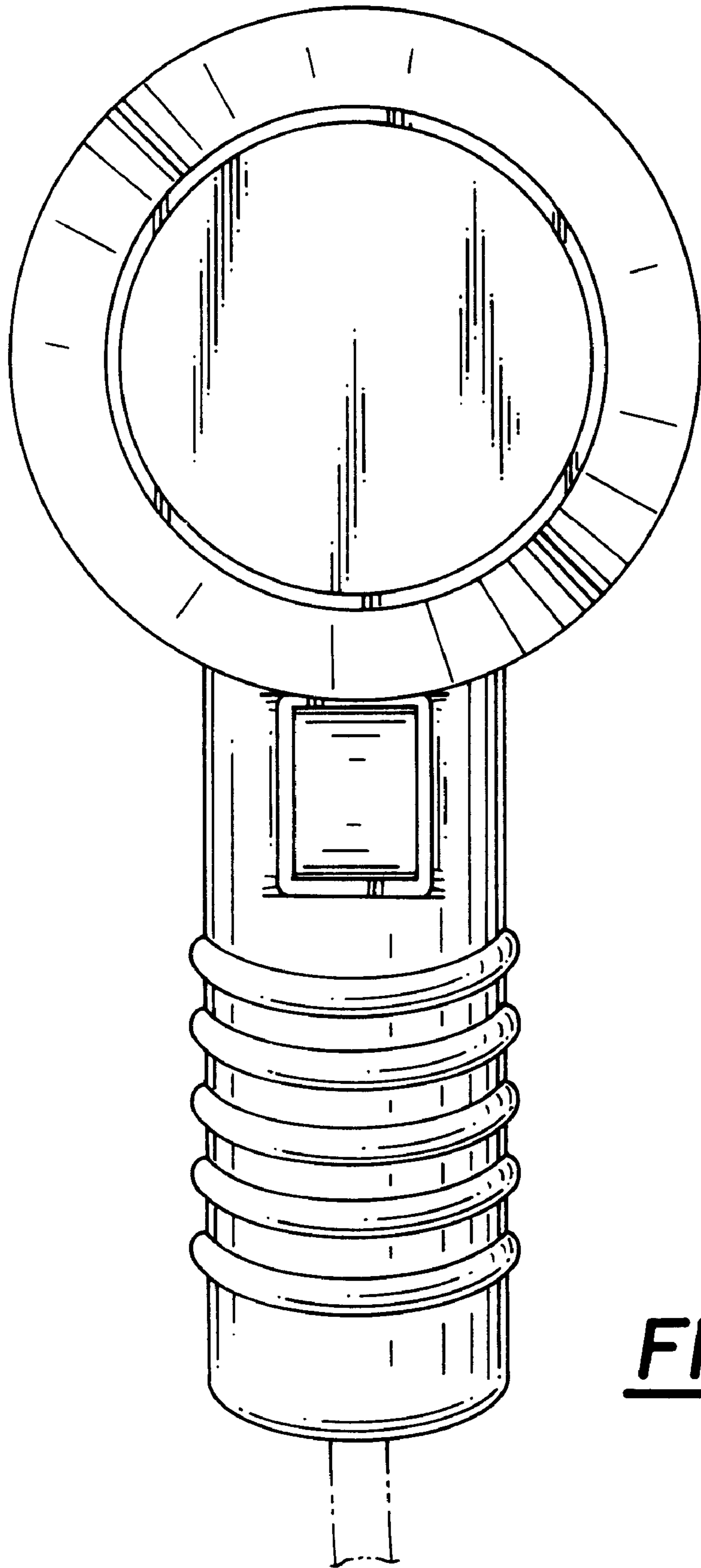


FIG. 1

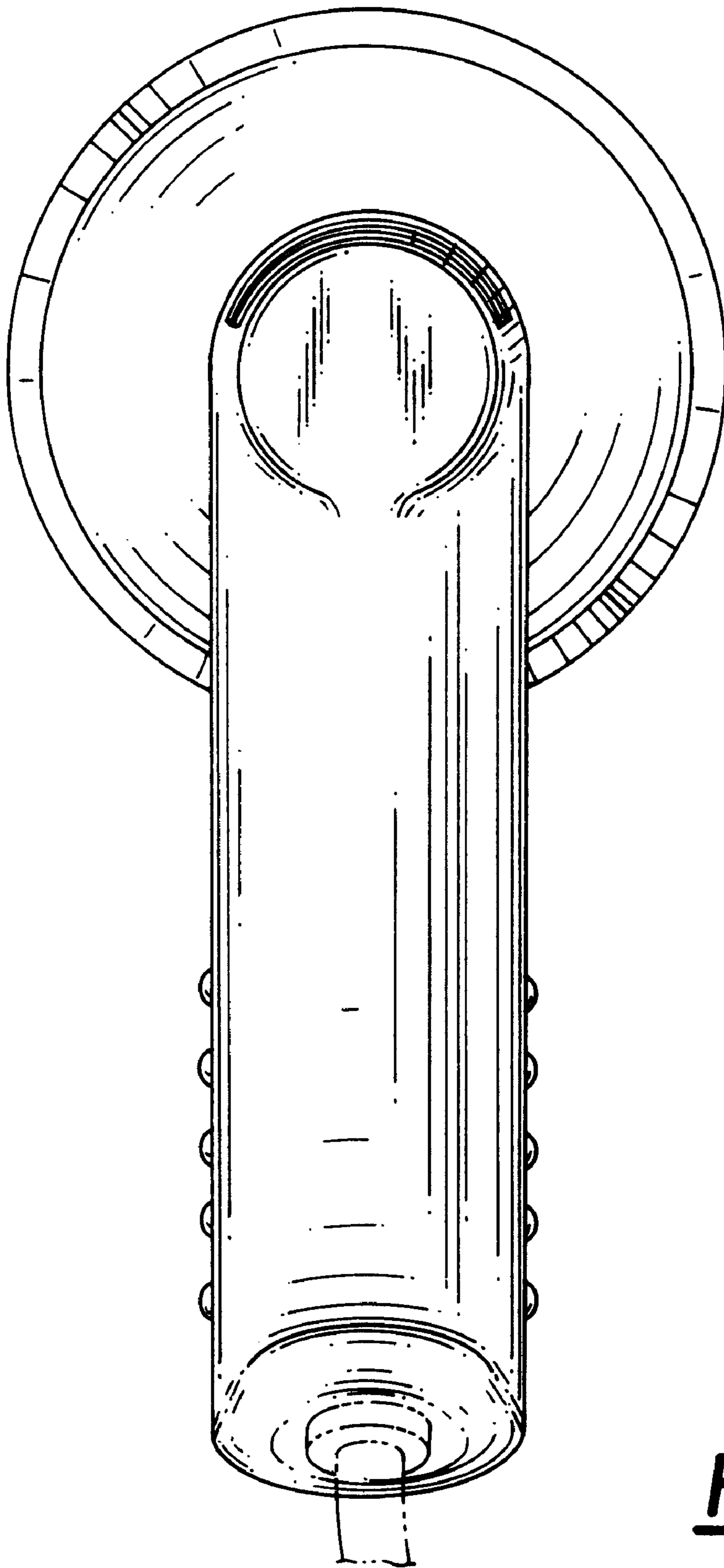


FIG. 2

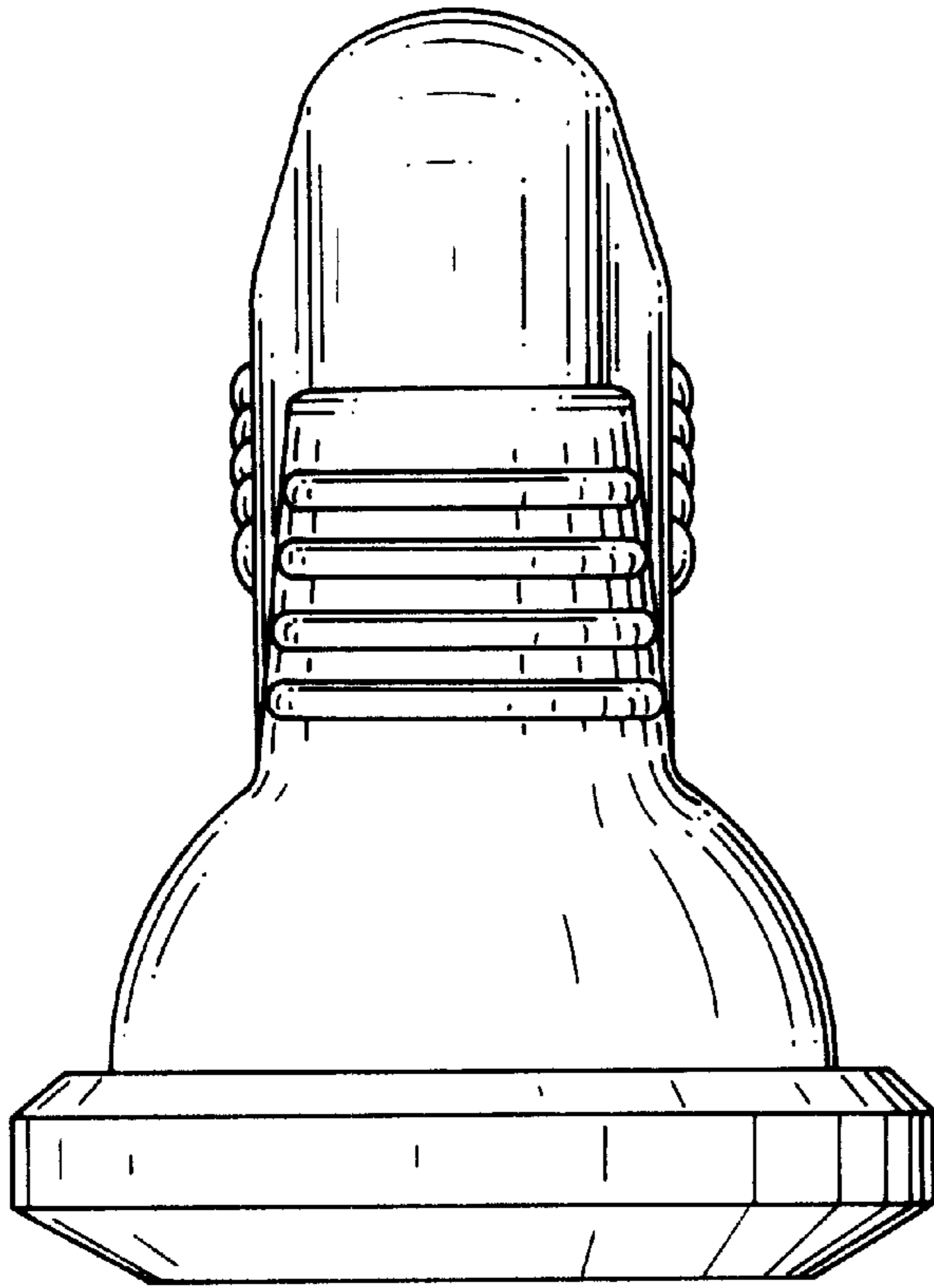


FIG. 3

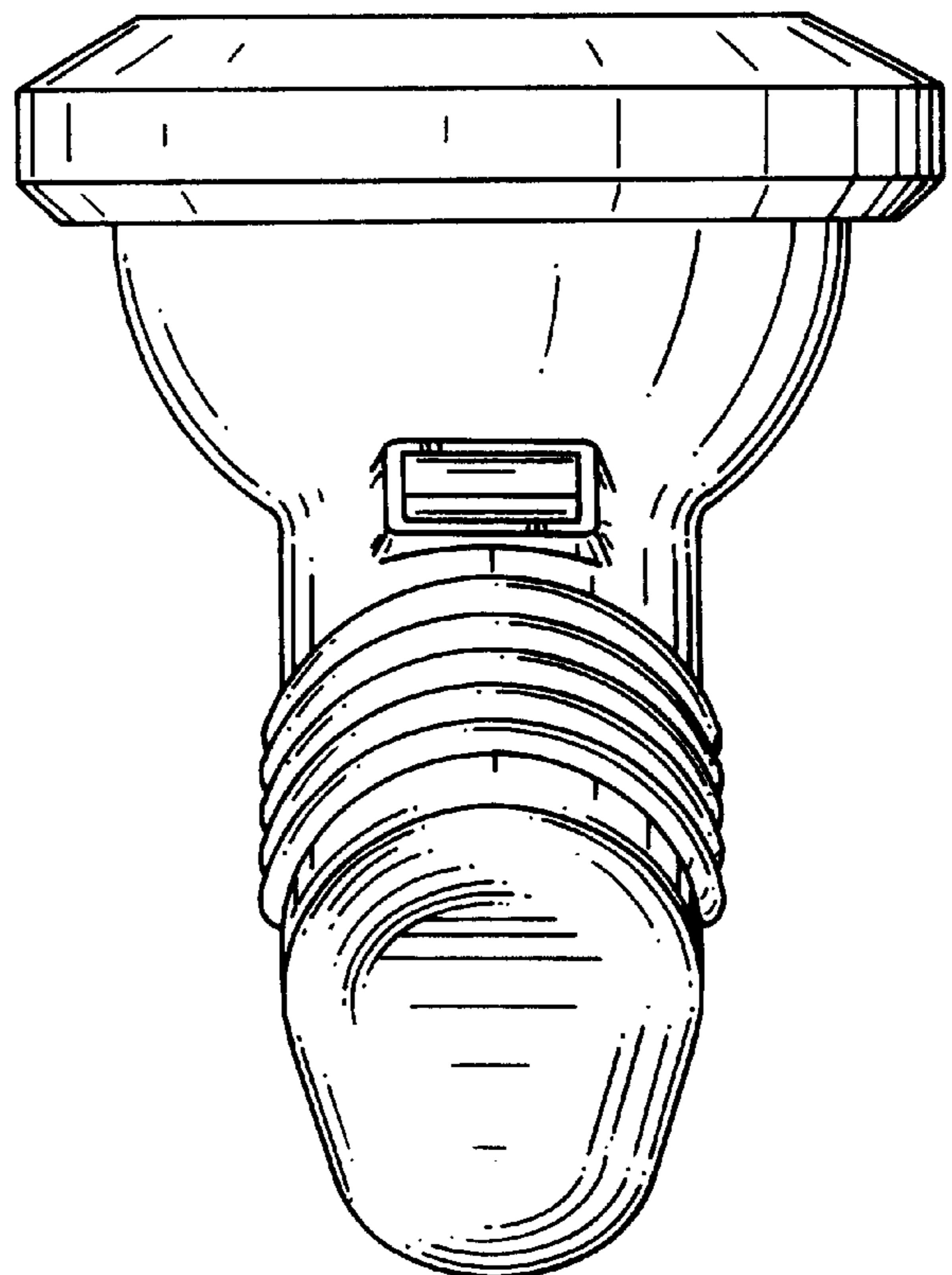


FIG. 4

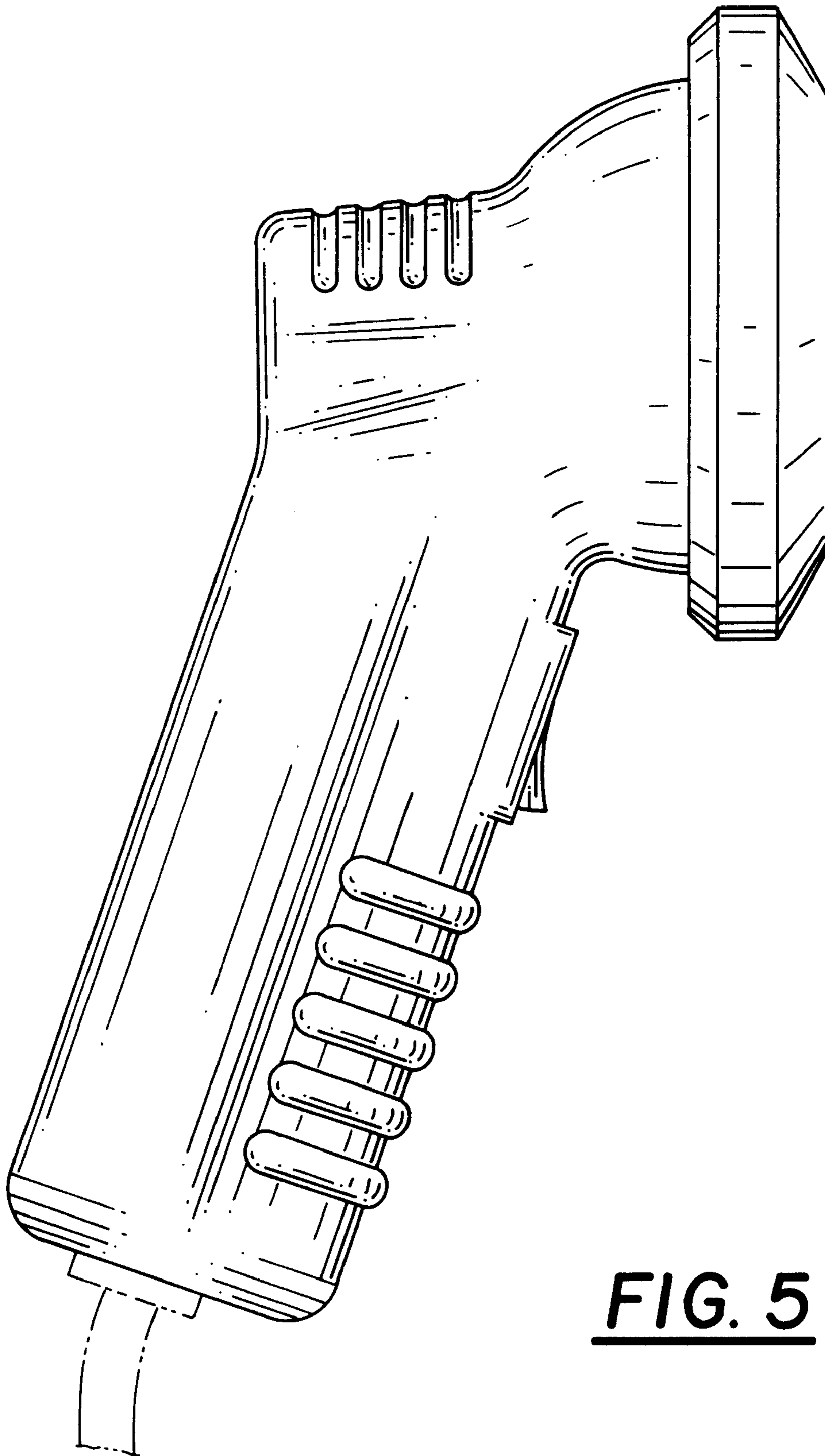


FIG. 5