

US00D434867S

United States Patent [19]
Merrell

[11] **Patent Number: Des. 434,867**

[45] **Date of Patent: ** Dec. 5, 2000**

[54] **LIGHT ASSEMBLY**

[76] Inventor: **Daniel B. Merrell**, 3652 E. Dartmouth,
Mesa, Ariz. 85205

[**] Term: **14 Years**

[21] Appl. No.: **29/120,759**

[22] Filed: **Mar. 24, 2000**

[51] **LOC (7) Cl.** **26-02**

[52] **U.S. Cl.** **D26/37**

[58] **Field of Search** D26/37-50; 362/157,
362/158, 183-208

4,751,615	6/1988	Abrams .
4,998,185	3/1991	DeNigris, Jr. .
5,163,748	11/1992	Messinger .
5,280,415	1/1994	Barnette .
5,381,310	1/1995	Brotz .
5,446,633	8/1995	Hanggi .
5,502,623	3/1996	Brotz .
5,607,223	3/1997	Brotz .

Primary Examiner—Marcus A. Jackson
Attorney, Agent, or Firm—Wells, St. John, Roberts, Gregory
& Matkin

[57] **CLAIM**

The ornamental design of a light assembly, as shown and described.

[56] **References Cited**

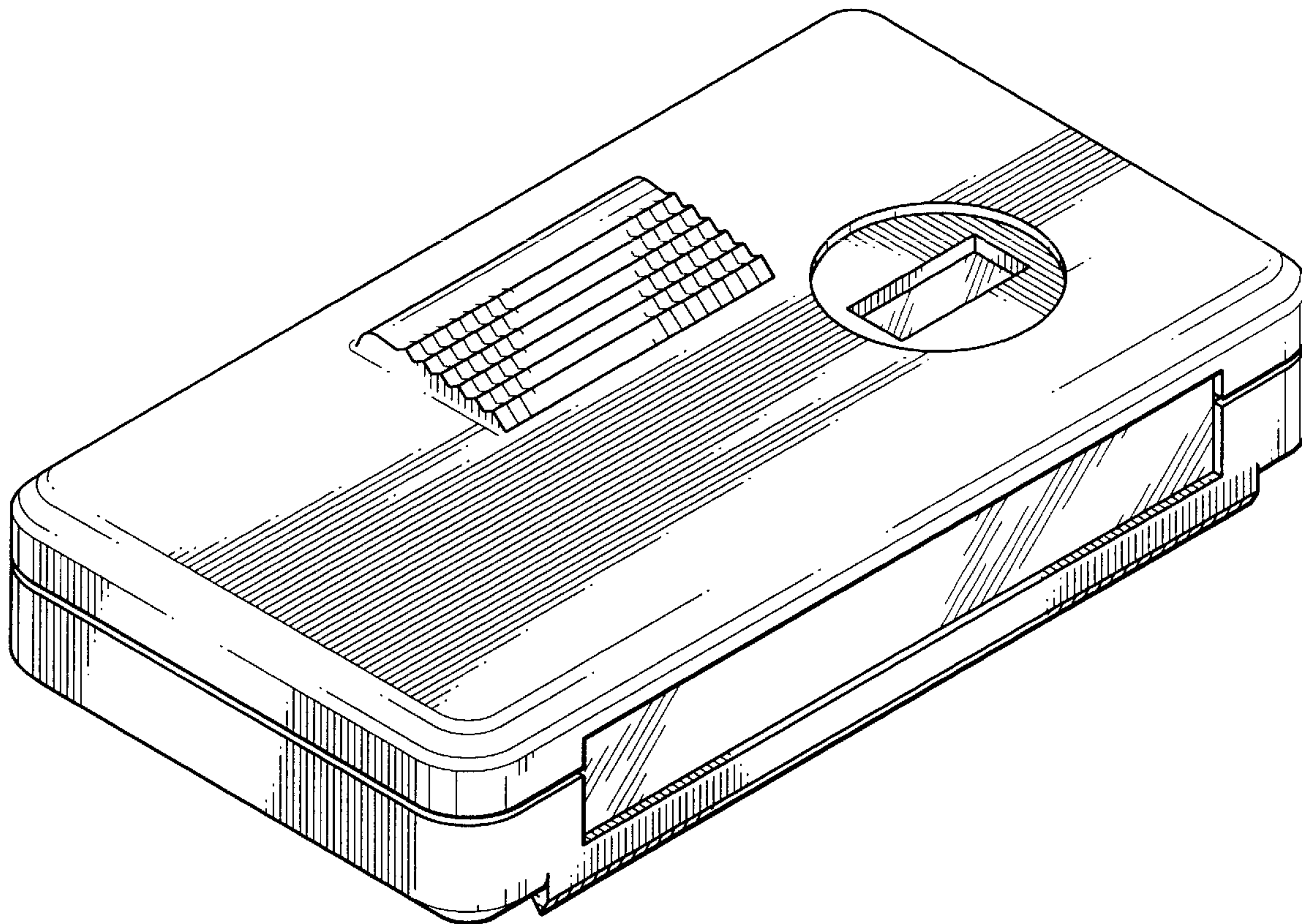
U.S. PATENT DOCUMENTS

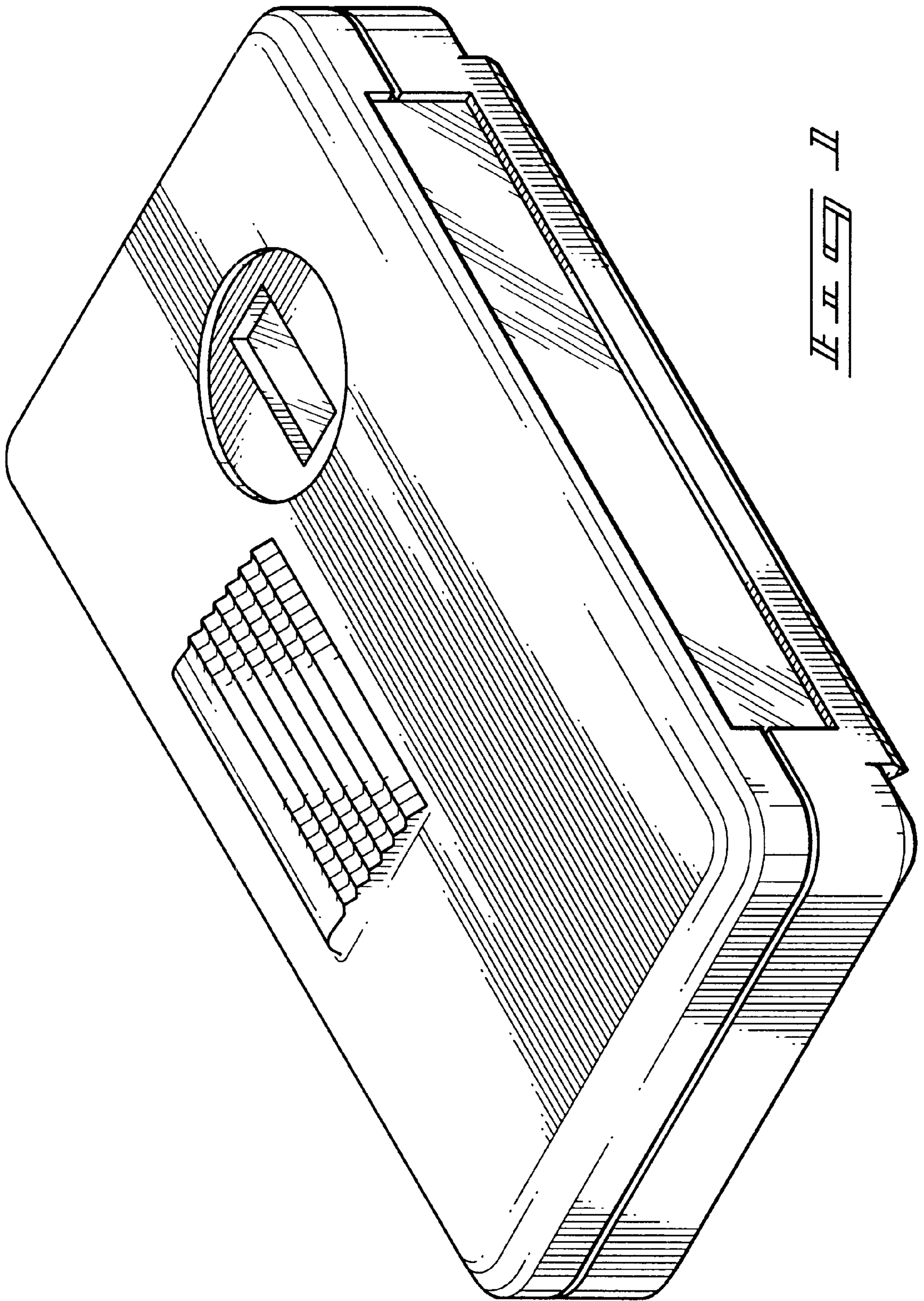
D. 330,258	10/1992	Schneiderman	D26/37
D. 381,099	7/1997	Yuen	D26/37
D. 405,551	2/1999	Lynch et al.	D26/37
D. 417,019	11/1999	Rachwal et al.	D26/37
1,145,848	7/1915	Robins .		
2,492,034	12/1949	Clyne .		
3,215,453	11/1965	Malcom, Jr. .		
3,232,685	2/1966	Wilstein et al. .		
3,452,188	6/1969	Zidron et al. .		
4,057,730	11/1977	Dane .		
4,445,728	5/1984	Bratton .		

DESCRIPTION

FIG. 1 shows an enlarged perspective view of a light assembly of the present invention.
FIG. 2 shows a top view of same.
FIG. 3 shows a front view of same.
FIG. 4 shows a bottom view of same.
FIG. 5 shows a rear view of same; and,
FIG. 6 shows a side view of same which is identical to a view of the opposite side.

1 Claim, 3 Drawing Sheets





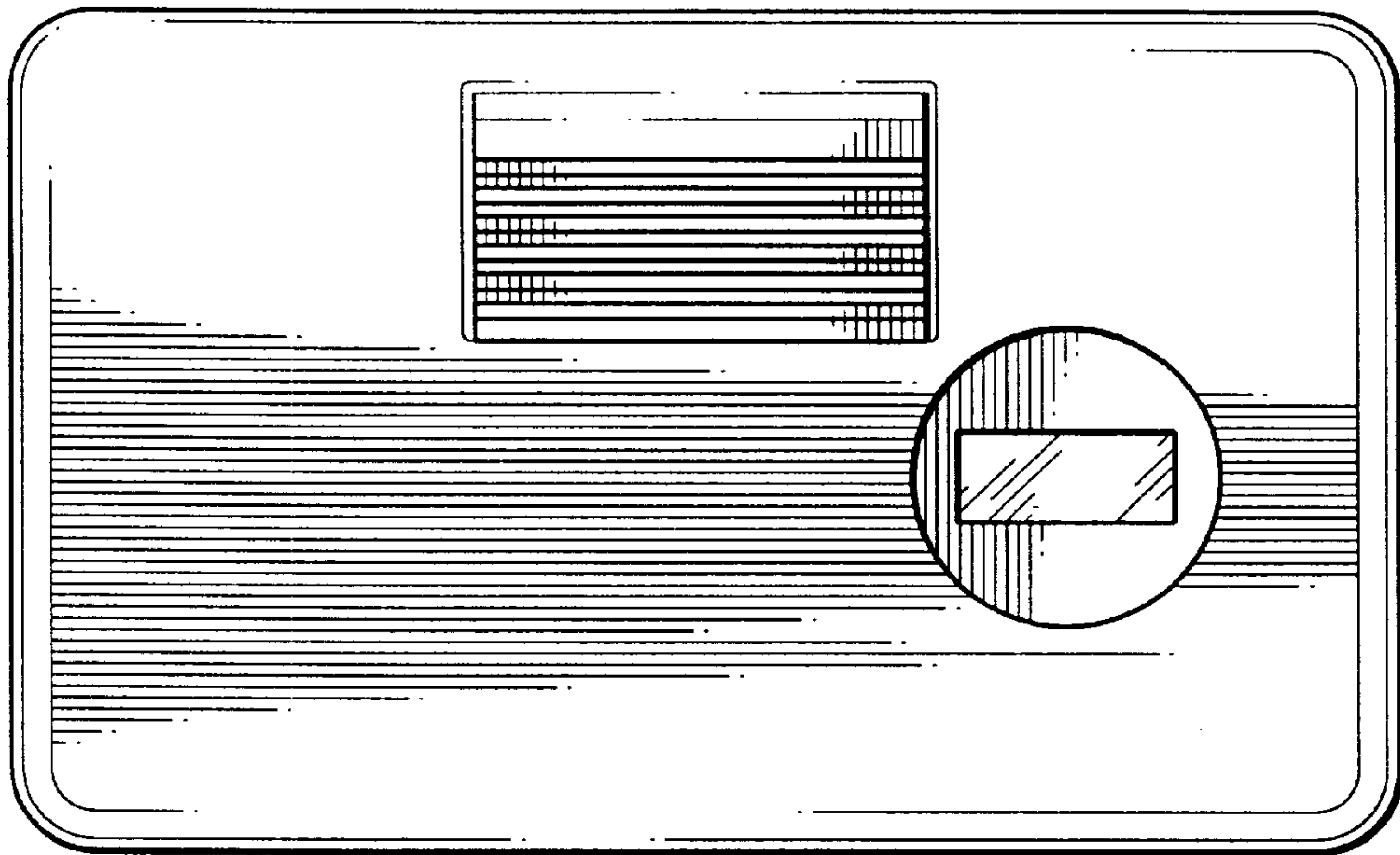


Fig. 2



Fig. 3

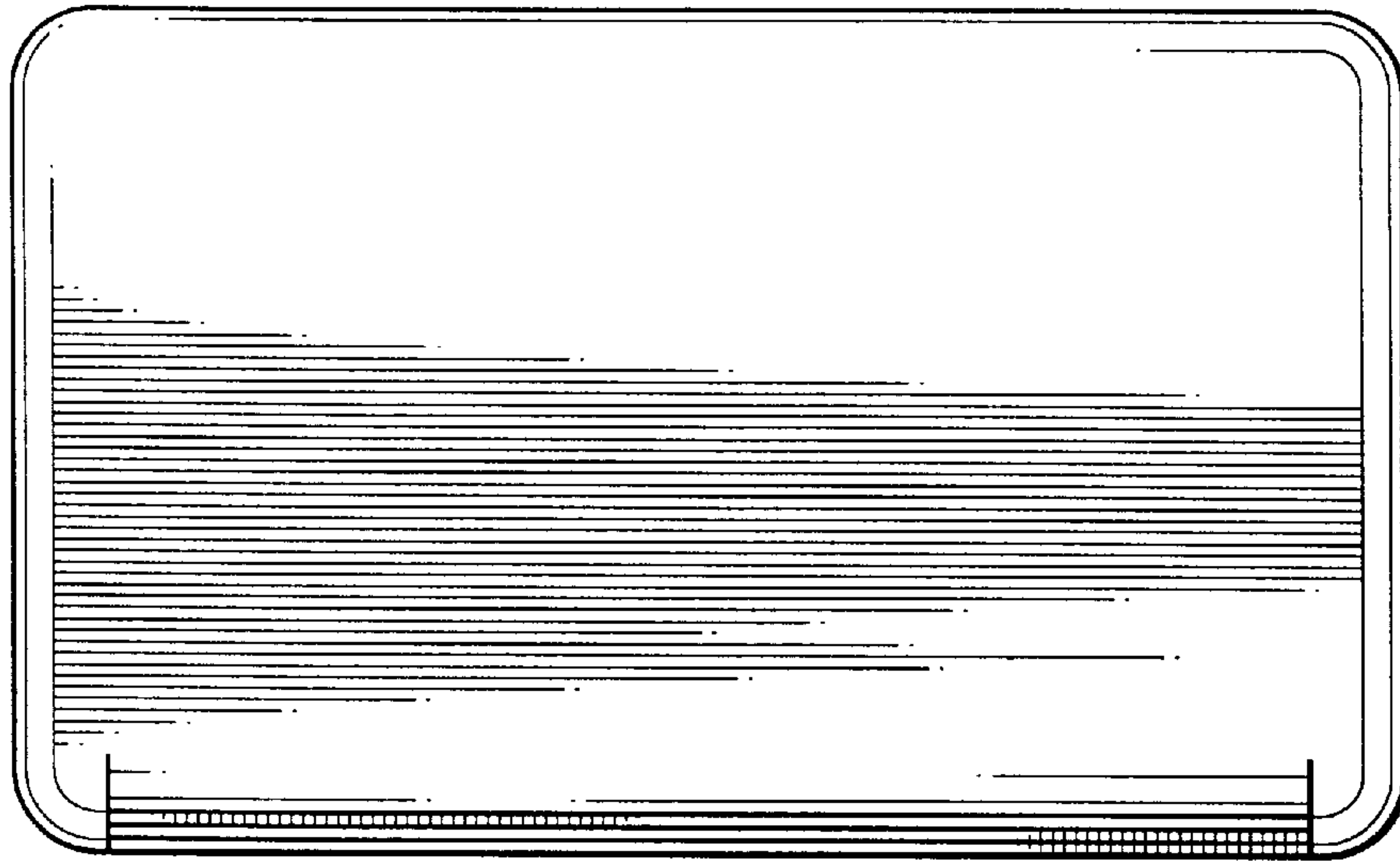


Fig. 4

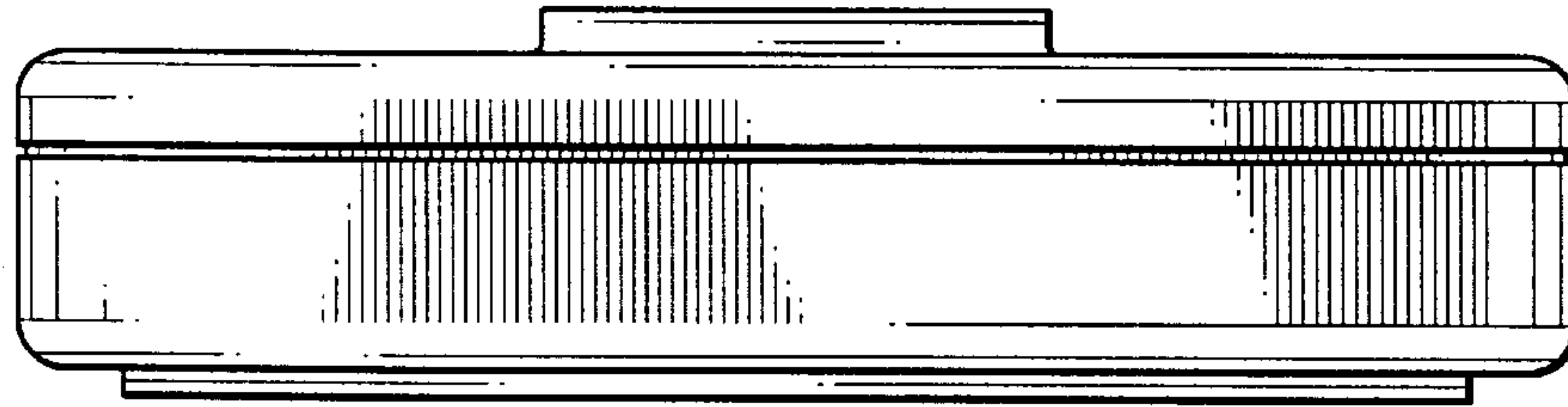


Fig. 5

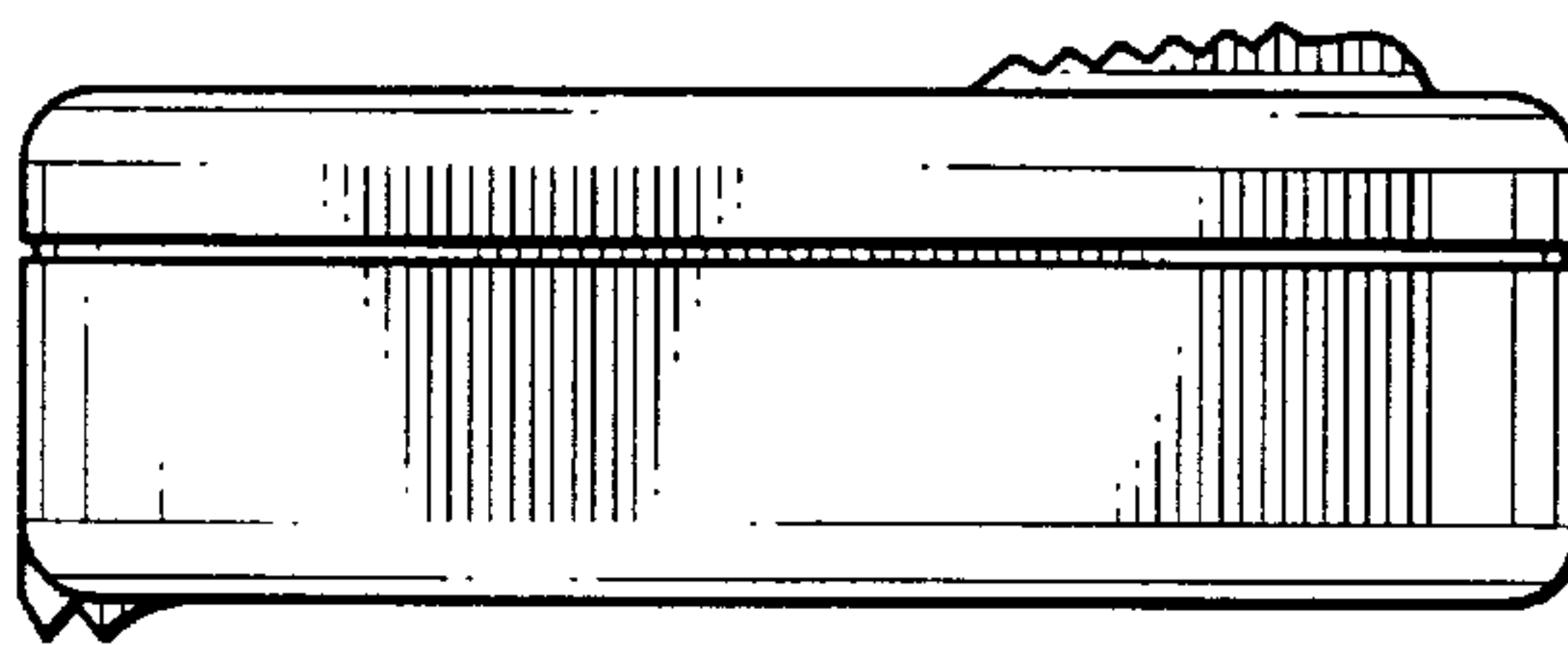


Fig. 6