



US00D434856S

United States Patent [19]
Yahner

[11] **Patent Number: Des. 434,856**

[45] **Date of Patent: ** Dec. 5, 2000**

[54] **LADDER CADDY**

5,505,302 4/1996 Ferley 248/238

[76] Inventor: **Charles Yahner**, 7 Columbia Park,
Greenville, Pa. 16125

Primary Examiner—Doris Clark
Attorney, Agent, or Firm—Harpman & Harpman

[**] Term: **14 Years**

[57] **CLAIM**

[21] Appl. No.: **29/118,182**

The ornamental design for a ladder caddy, as shown and described.

[22] Filed: **Feb. 7, 2000**

DESCRIPTION

[51] **LOC (7) Cl.** **25-04**

[52] **U.S. Cl.** **D25/68**

[58] **Field of Search** D25/68; 248/238,
248/210

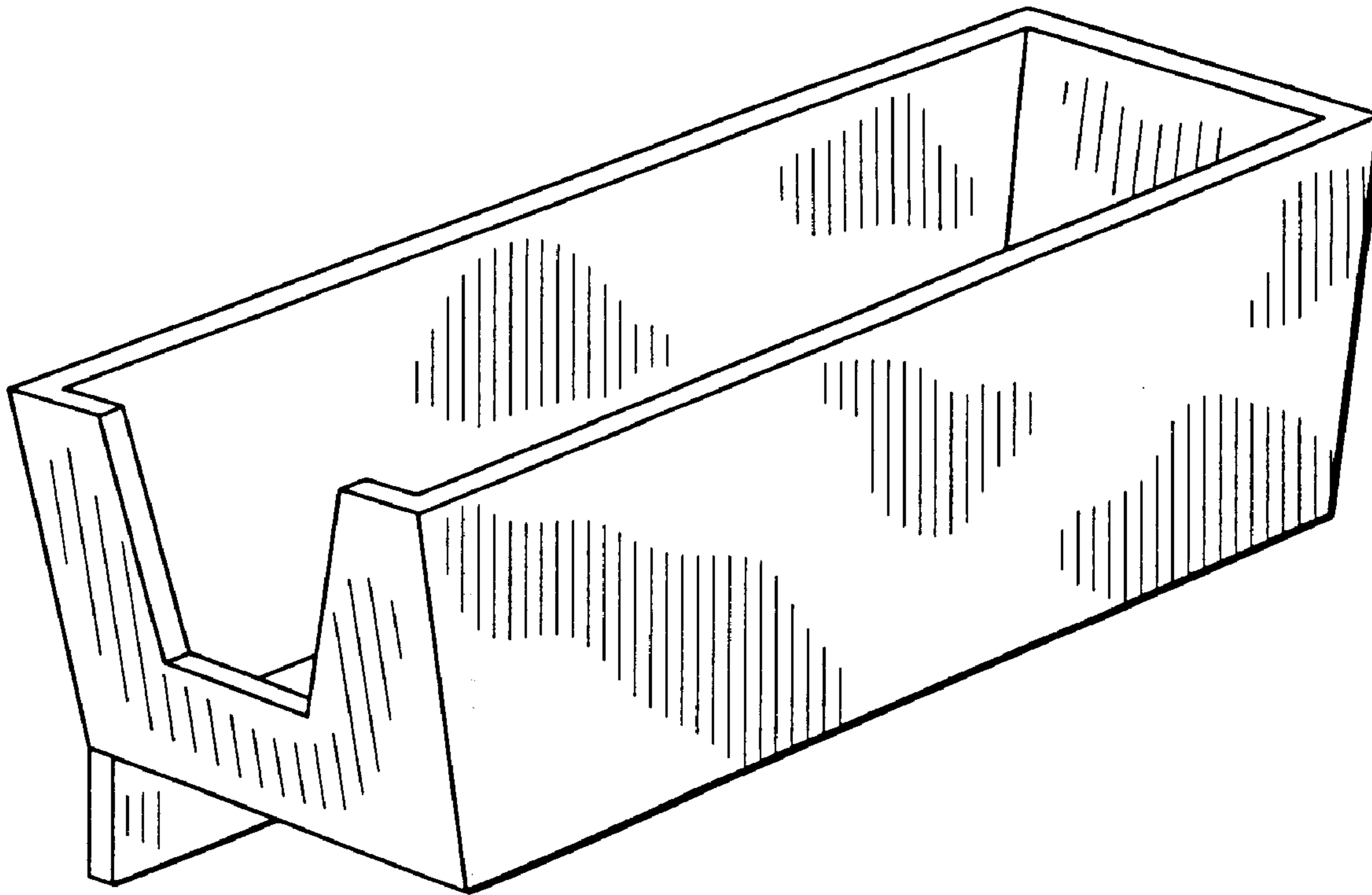
FIG. 1 is a front perspective view thereof;
FIG. 2 is a front elevational view thereof;
FIG. 3 is a top plan view thereof;
FIG. 4 is a bottom plan view thereof; and,
FIG. 5 is a right side elevational view thereof.

[56] **References Cited**

U.S. PATENT DOCUMENTS

D. 395,522 6/1998 Roberts D25/68

1 Claim, 2 Drawing Sheets



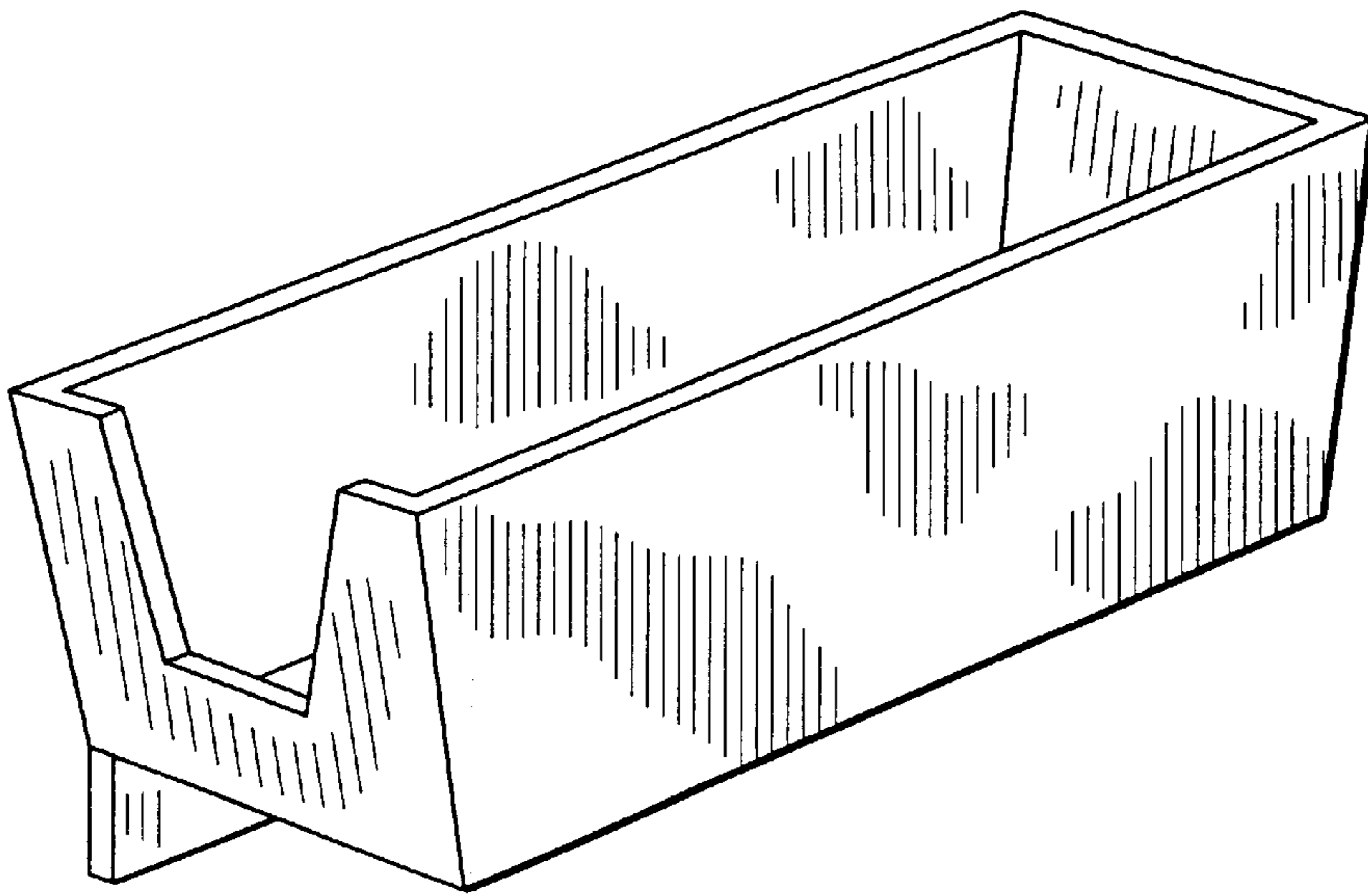


FIG. 1

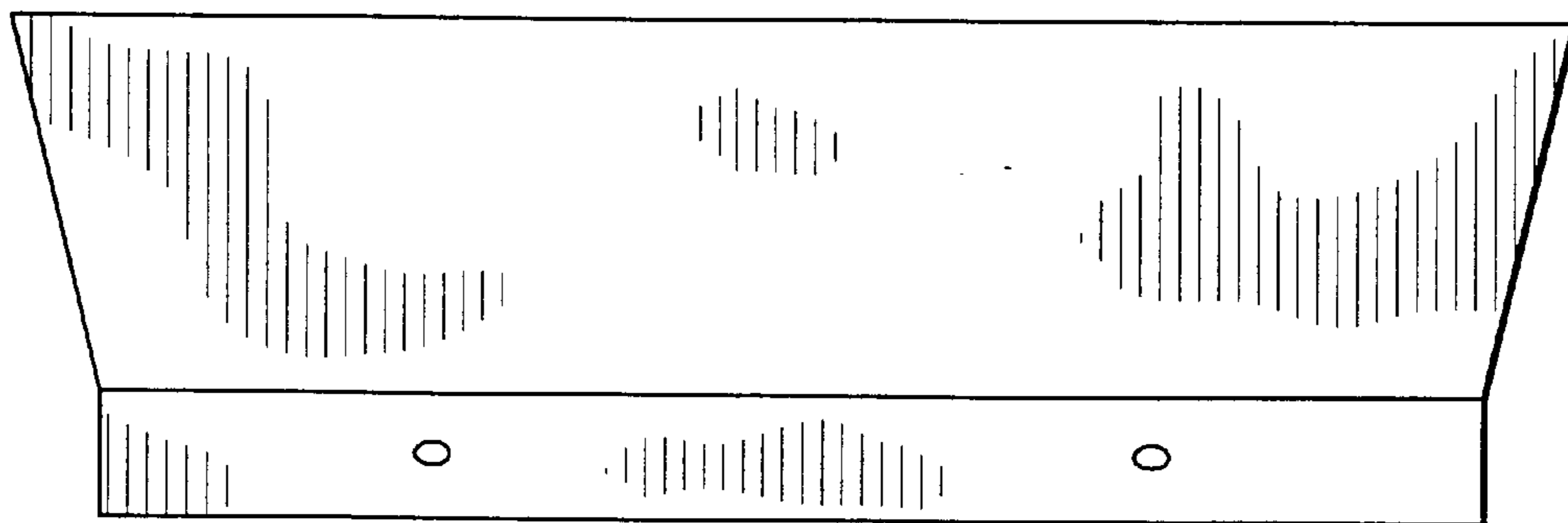


FIG. 2

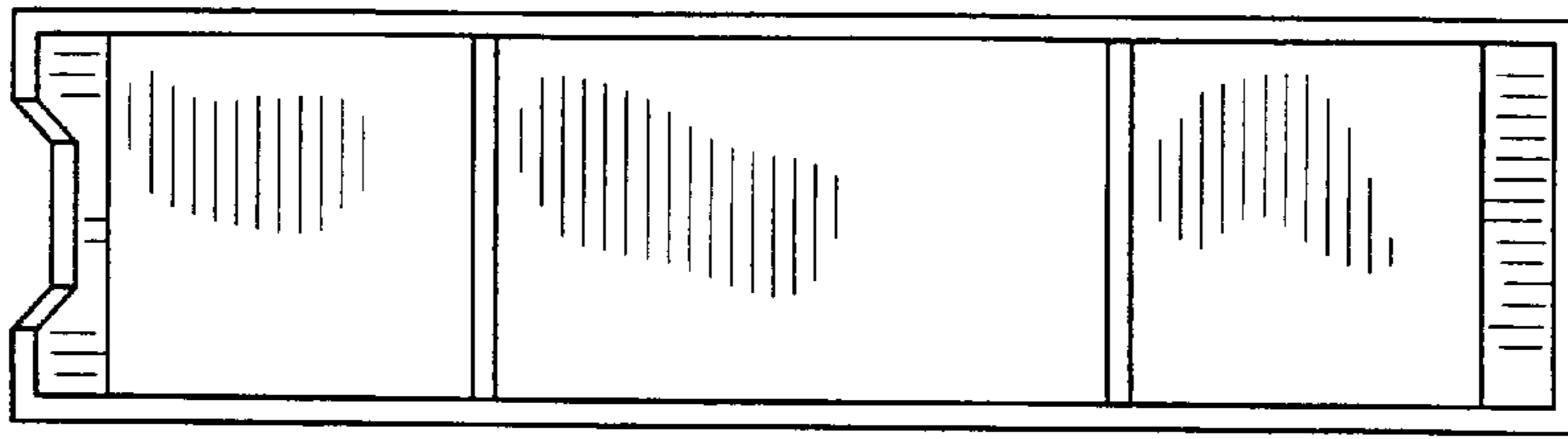


FIG. 3

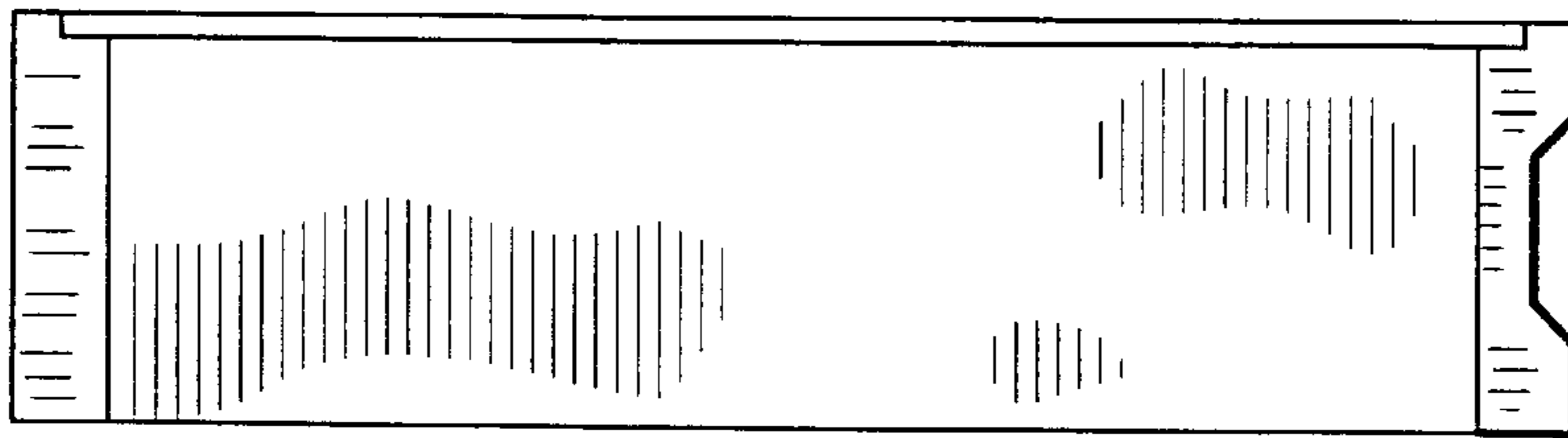


FIG. 4



FIG. 5