



US00D434855S

# United States Patent [19]

Ullum et al.

[11] Patent Number: Des. 434,855

[45] Date of Patent: \*\* Dec. 5, 2000

[54] STEP STOOL

[75] Inventors: Steve Ullum, Louisville, Ky.; Jerry R. Smith, Columbus, Ind.

[73] Assignee: Cosco Management, Inc., Wilmington, Del.

[\*\*] Term: 14 Years

[21] Appl. No.: 29/109,379

[22] Filed: Aug. 13, 1999

[51] LOC (7) Cl. .... 25-04

[52] U.S. Cl. .... D25/65

[58] Field of Search ..... D25/65; 182/33

### [56] References Cited

#### U.S. PATENT DOCUMENTS

D. 238,320	1/1976	Smith et al. ....	D25/65
D. 387,878	12/1997	Jacques .	
1,702,249	2/1929	Davidson .	
2,109,886	3/1938	Lewis .	
2,207,923	7/1940	Kelso .	
2,596,521	5/1952	Bell .	
3,999,629	12/1976	Schaffer et al. .	
4,130,316	12/1978	Rossi .....	183/33
4,276,955	7/1981	Hickman .	
4,440,264	4/1984	Knoke et al. ....	182/33
4,460,063	7/1984	Casada .	
4,485,892	12/1984	Maloney et al. .	

4,502,564	3/1985	Kümmerlin et al. .
5,064,243	11/1991	Quain .
5,762,163	6/1998	Kain .
5,937,968	8/1999	Gibson et al. .

#### FOREIGN PATENT DOCUMENTS

33 27 025 A1 7/1983 Germany .

#### OTHER PUBLICATIONS

“Cosco Home Furnishings 1996”: Catalog, pp. 17, 18 and 23–25.

“Cosco 1995 Home Furnishings”: Catalog, pp. 2–5.

Primary Examiner—Doris Clark

Attorney, Agent, or Firm—Barnes & Thornburg

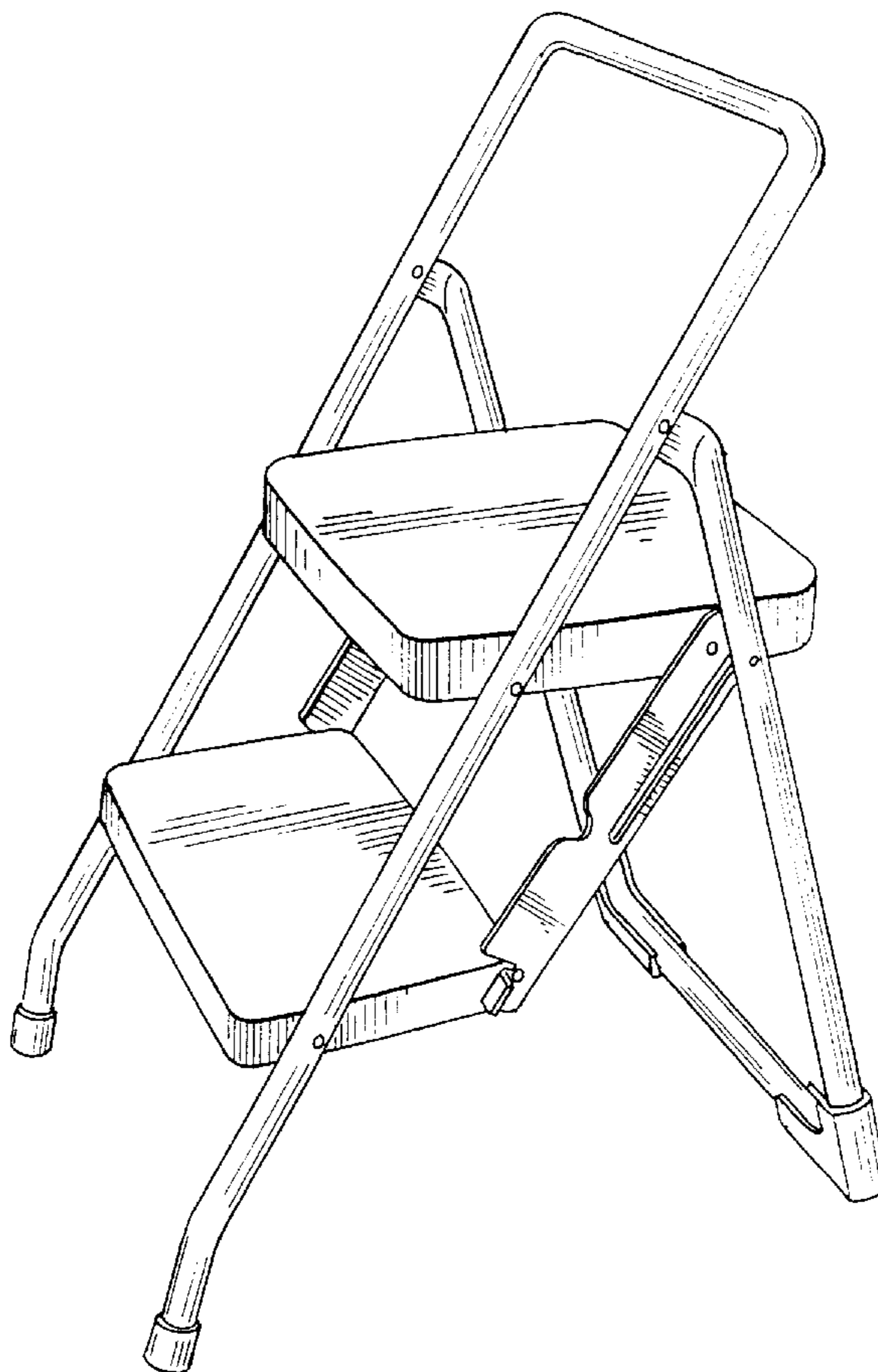
### [57] CLAIM

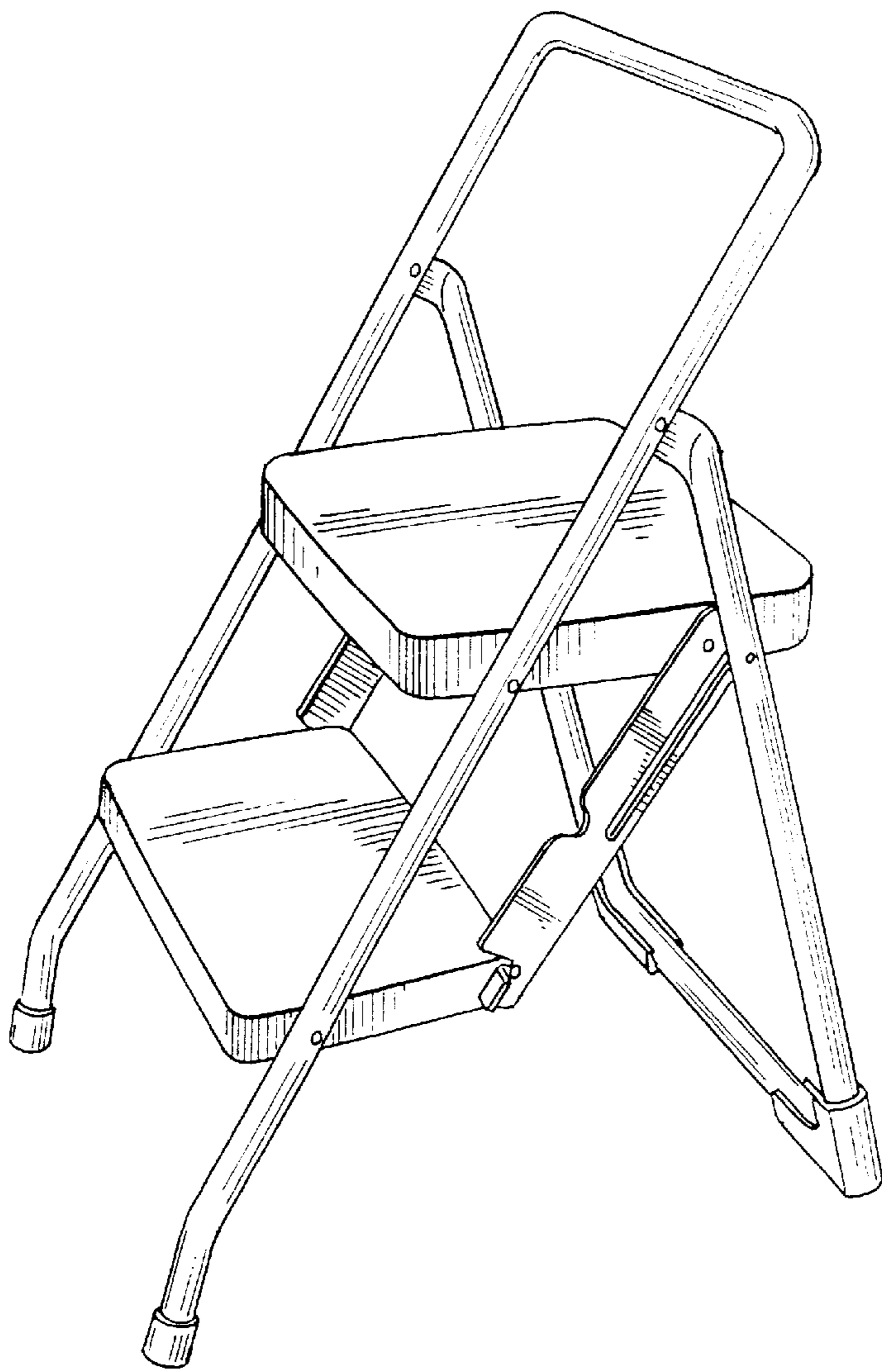
The ornamental design for a step stool, as shown and described.

#### DESCRIPTION

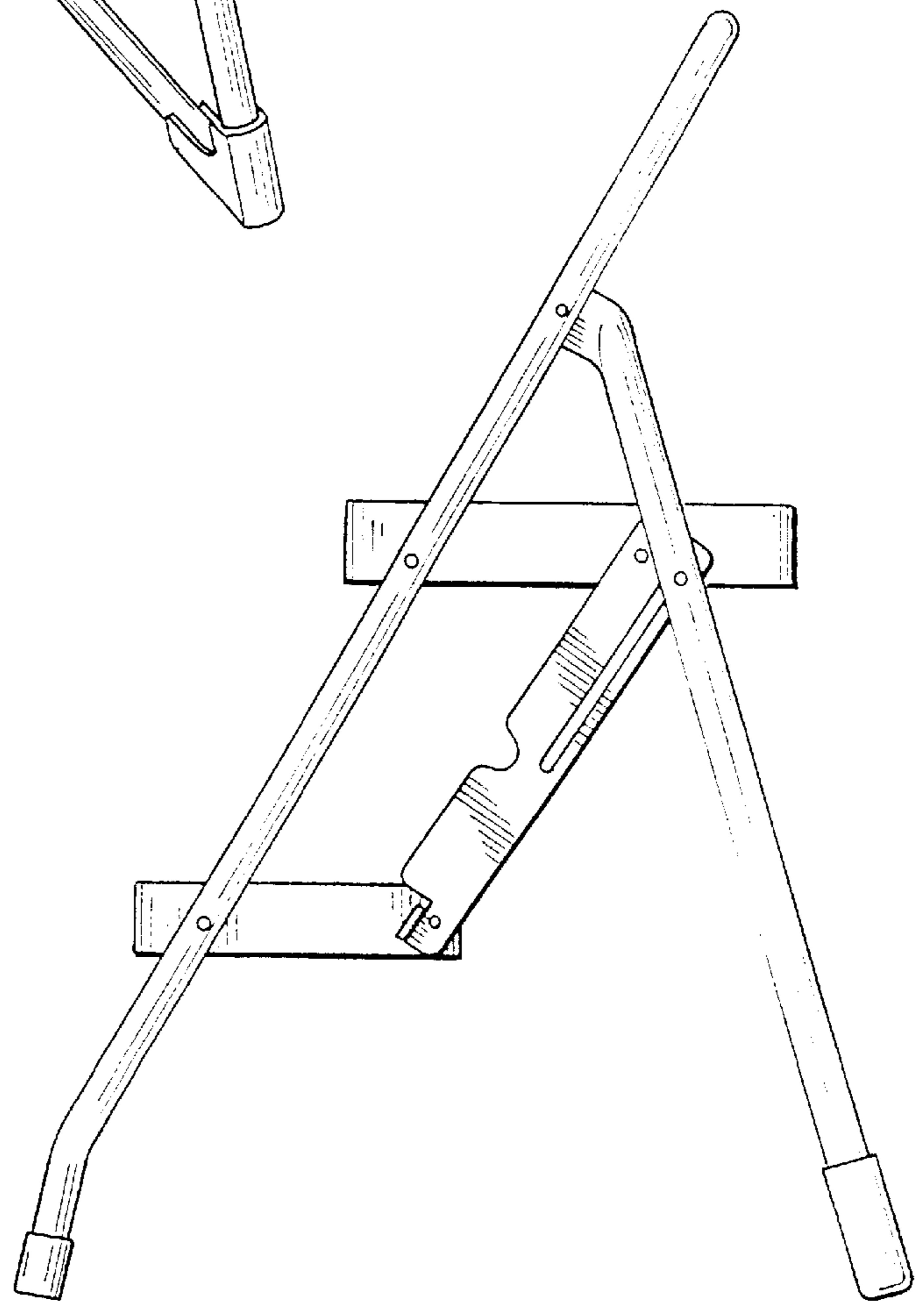
FIG. 1 is a perspective view of a step stool showing our new design;  
 FIG. 2 is a right-side elevational view thereof, with the left-side elevational view thereof substantially similar;  
 FIG. 3 is a front elevational view thereof;  
 FIG. 4 is a rear elevational view thereof;  
 FIG. 5 is a top plan view thereof; and,  
 FIG. 6 is a bottom view thereof.

1 Claim, 2 Drawing Sheets





*FIG. 1*



*FIG. 2*

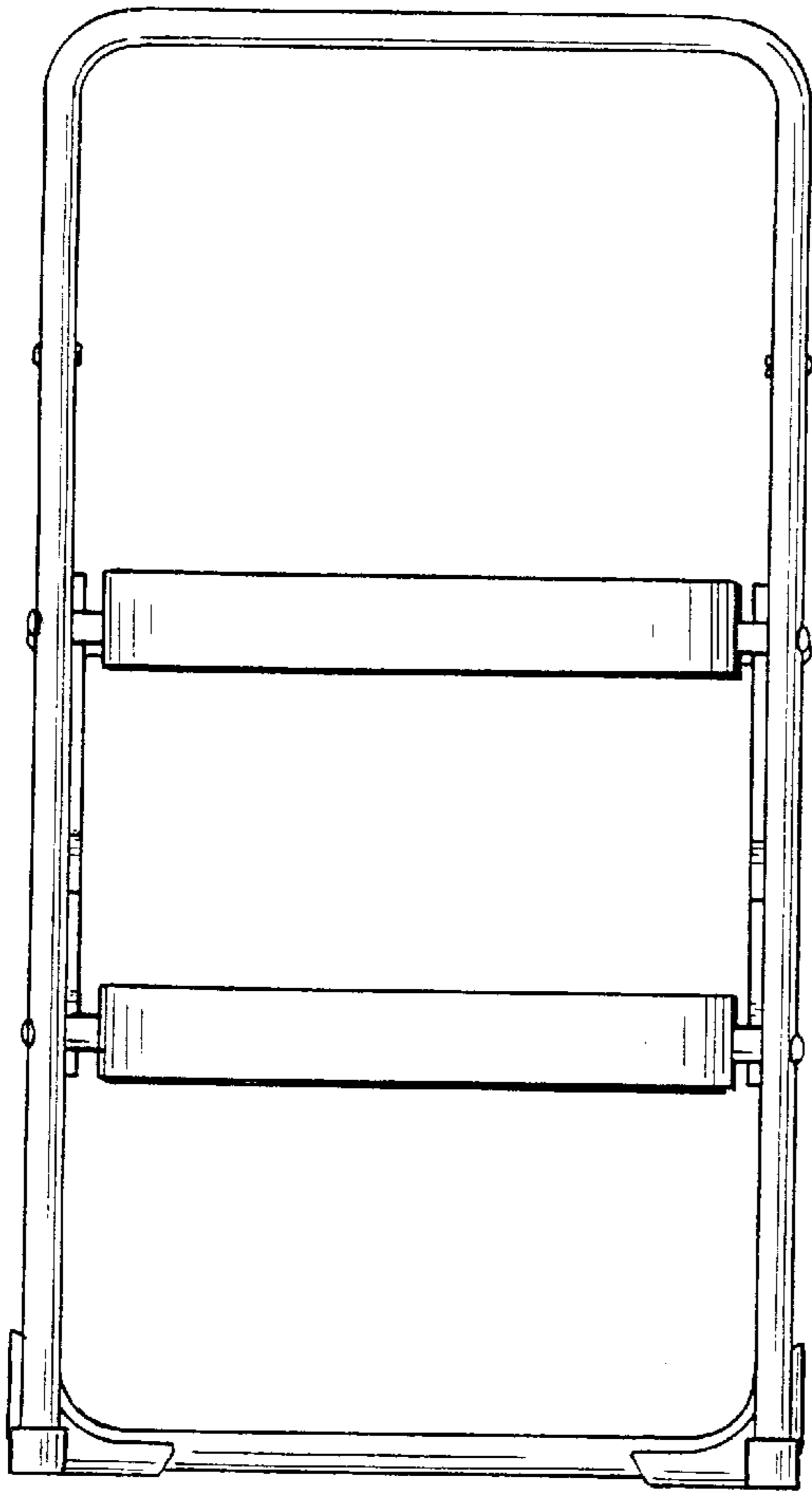


FIG. 3

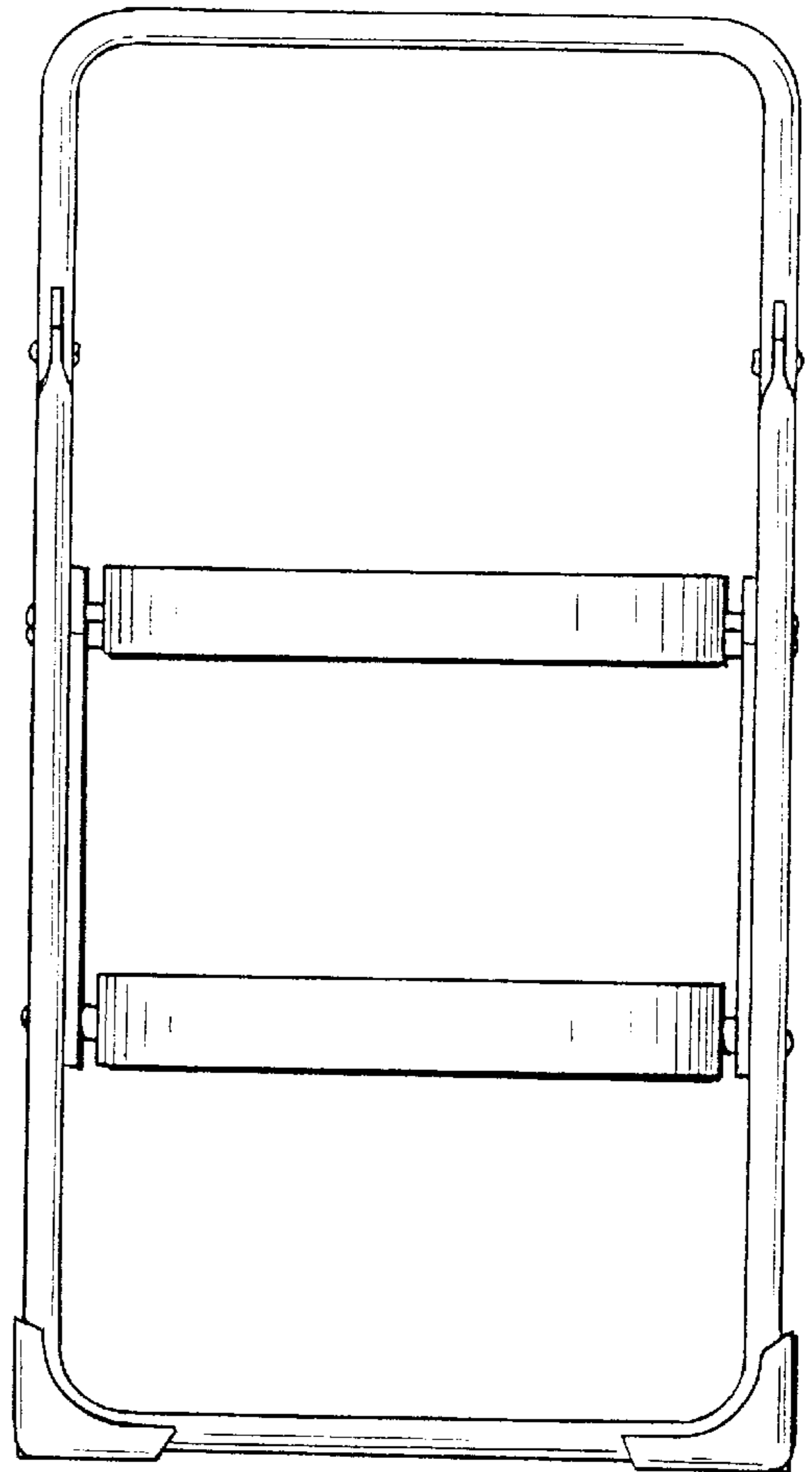


FIG. 4

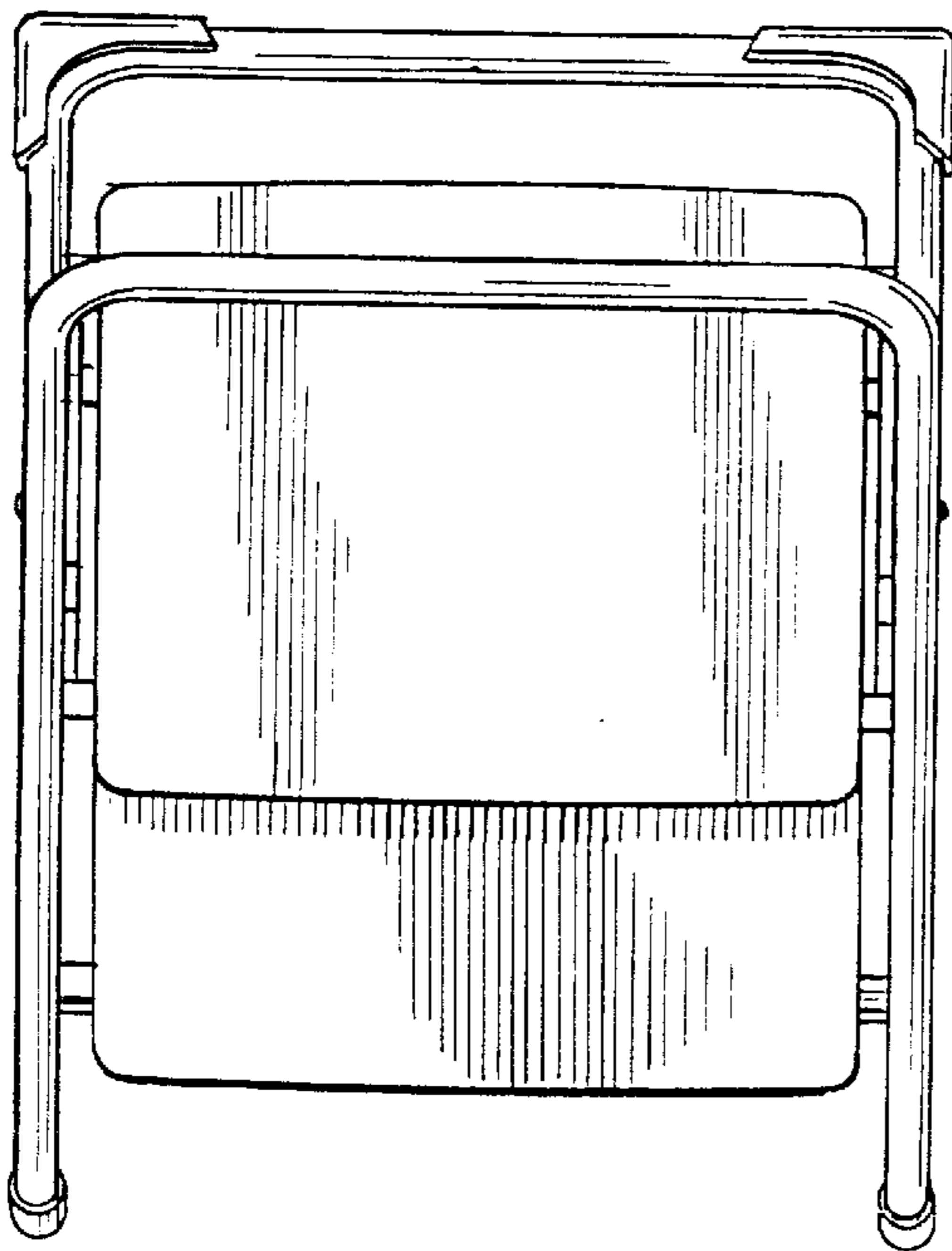


FIG. 5

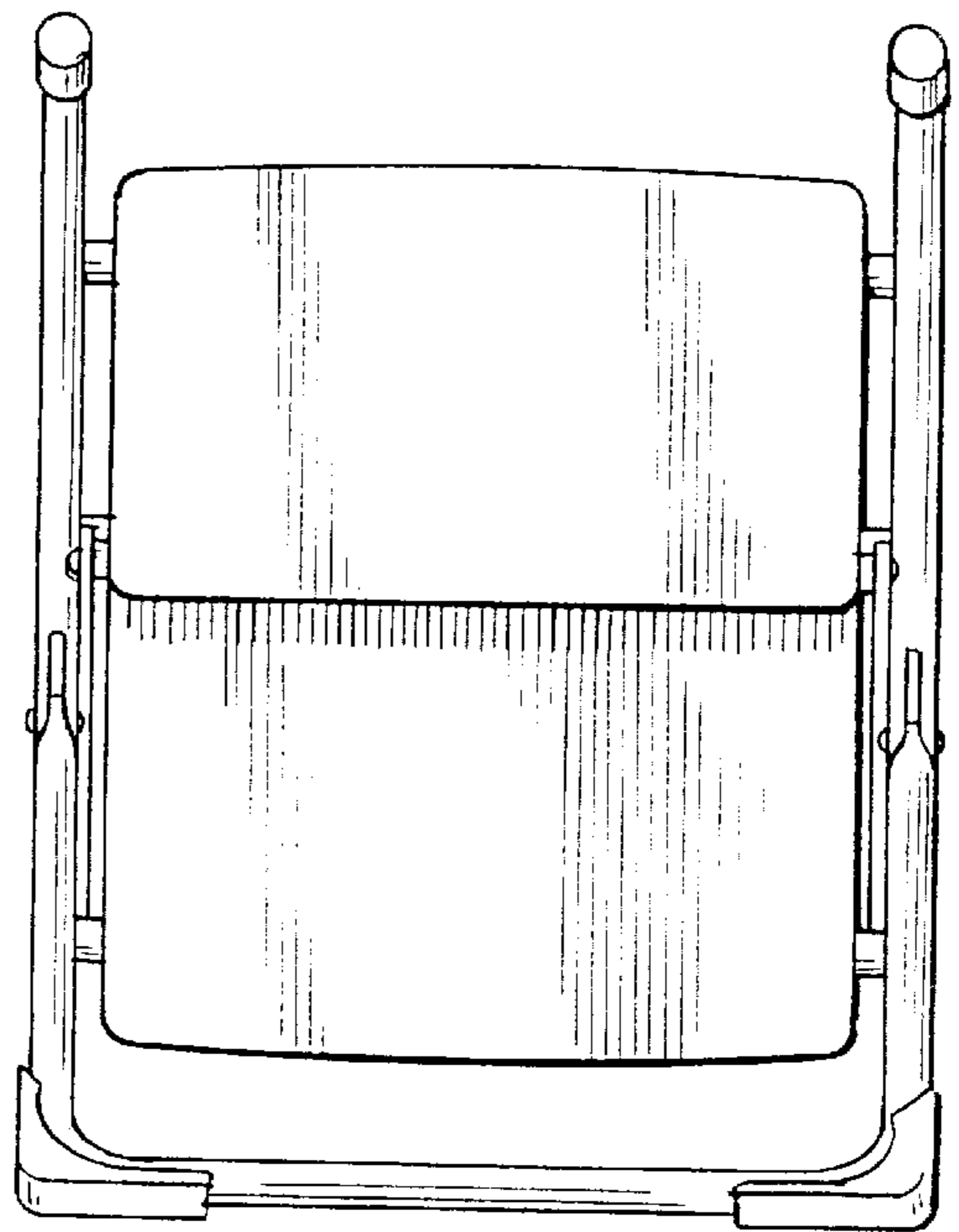


FIG. 6