



US00D434854S

United States Patent [19] Muller

[11] **Patent Number: Des. 434,854**

[45] **Date of Patent: ** Dec. 5, 2000**

[54] **CONTACT LENS CLEANER**

[76] Inventor: **Peter Muller**, 42 Digital Dr., Novato, Calif. 94949

[**] Term: **14 Years**

[21] Appl. No.: **29/114,364**

[22] Filed: **Nov. 19, 1999**

[51] **LOC (7) Cl. 24-01**

[52] **U.S. Cl. D24/218**

[58] **Field of Search** D24/217, 218;
D3/264; 422/297, 299, 307, 300, 301; 134/162,
158, 188, 184, 901, 140; 206/5.1, 205,
210

[56] **References Cited**

U.S. PATENT DOCUMENTS

- D. 328,134 7/1992 Yang D24/218
- D. 330,086 10/1992 Chen D24/218
- D. 341,615 11/1993 Ifejika D24/218

- D. 354,070 1/1995 Chen D24/218
- 5,320,806 6/1994 Dziabo et al. 422/297
- 5,690,211 11/1997 Jao et al. 206/5.1

Primary Examiner—Ian Simmons
Attorney, Agent, or Firm—Johnson & Stainbrook, LLP;
Larry D. Johnson; Craig M. Stainbrook

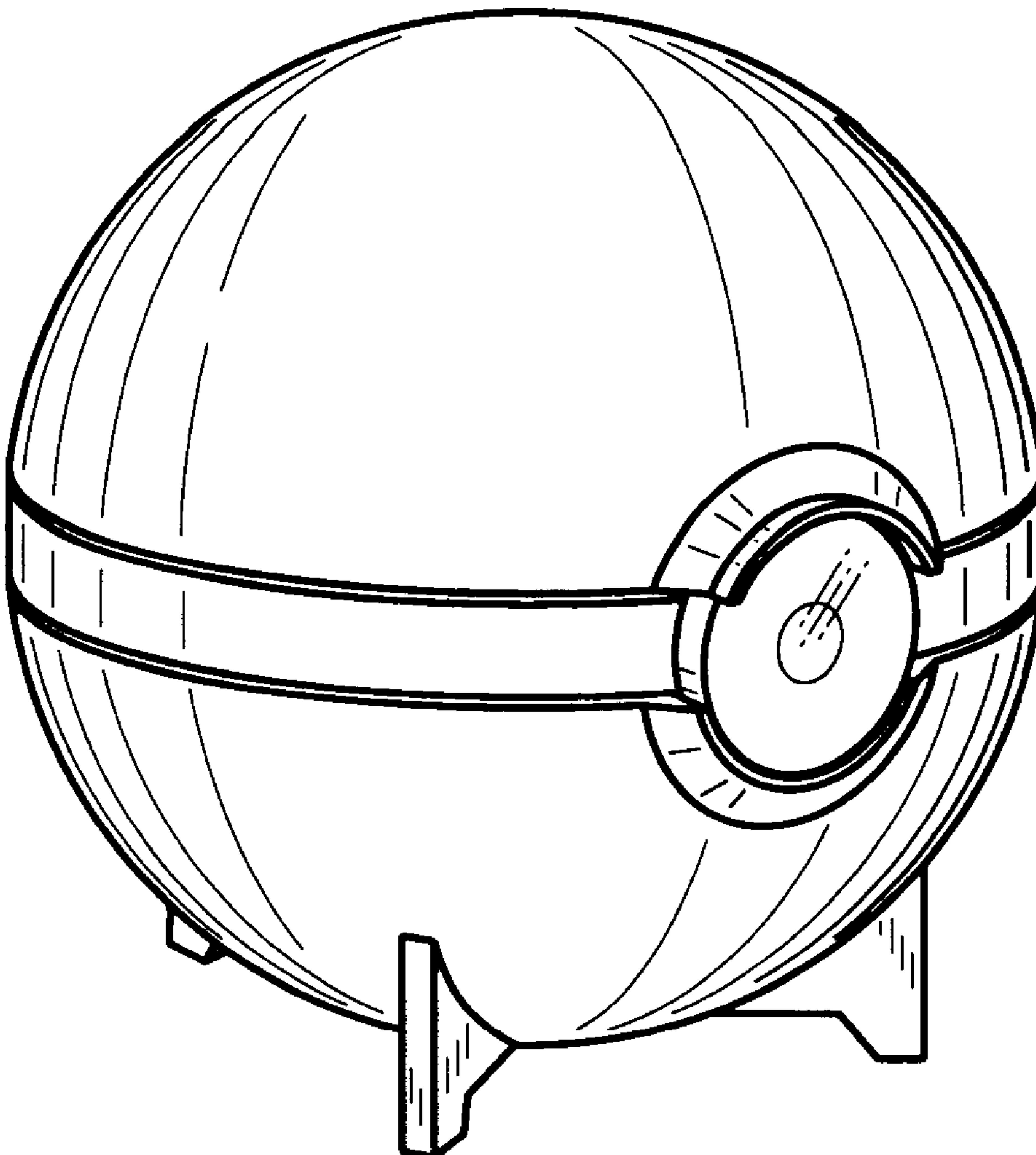
[57] **CLAIM**

The ornamental design for a contact lens cleaner, as shown and described.

DESCRIPTION

FIG. 1 is a perspective view of the contact lens cleaner showing my new design;
FIG. 2 is a rear elevational view thereof;
FIG. 3 is a front elevational view thereof;
FIG. 4 is a right side elevational view thereof;
FIG. 5 is a top plan view thereof; and,
FIG. 6 is a bottom plan view thereof.

1 Claim, 1 Drawing Sheet



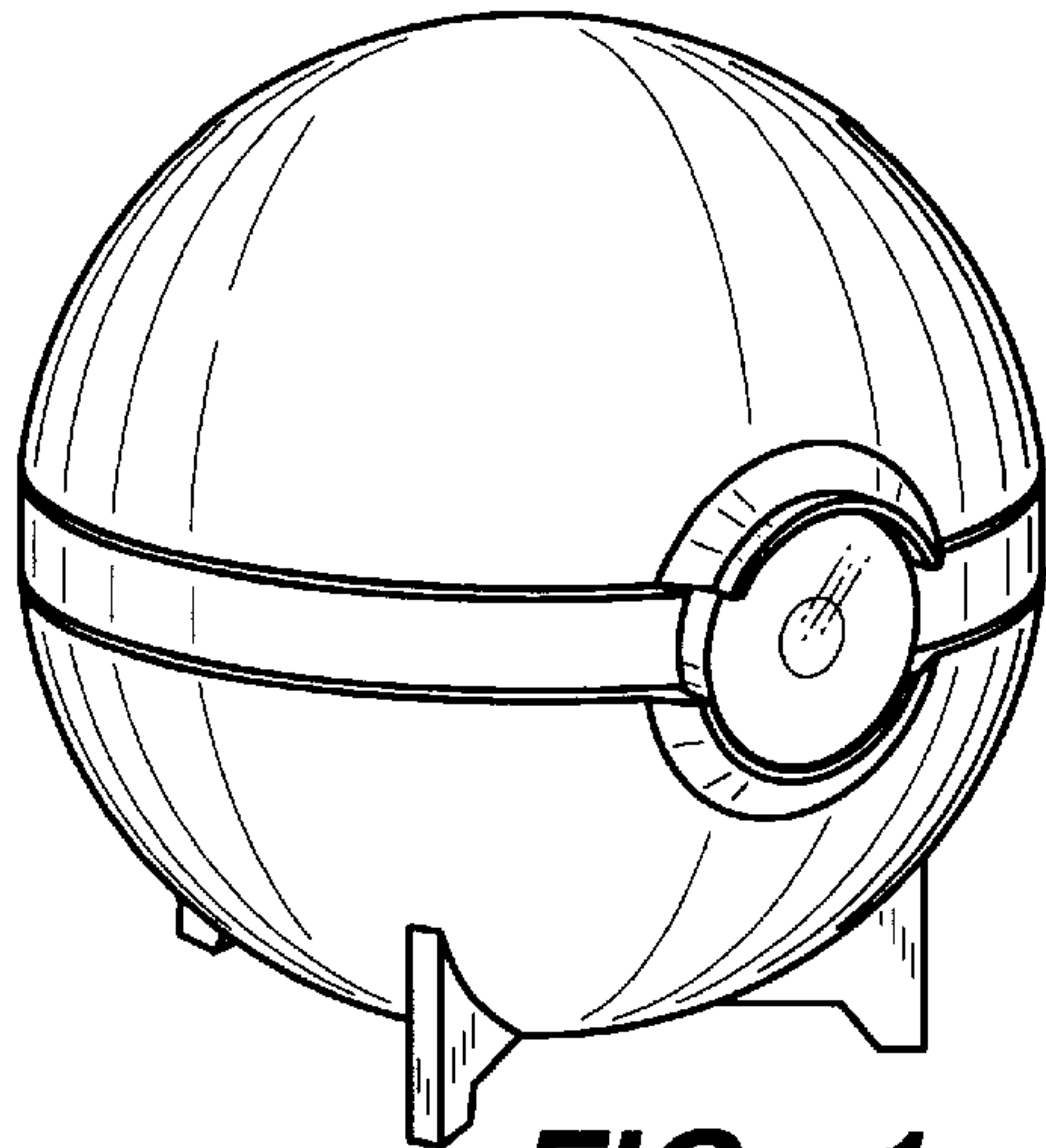


FIG._1

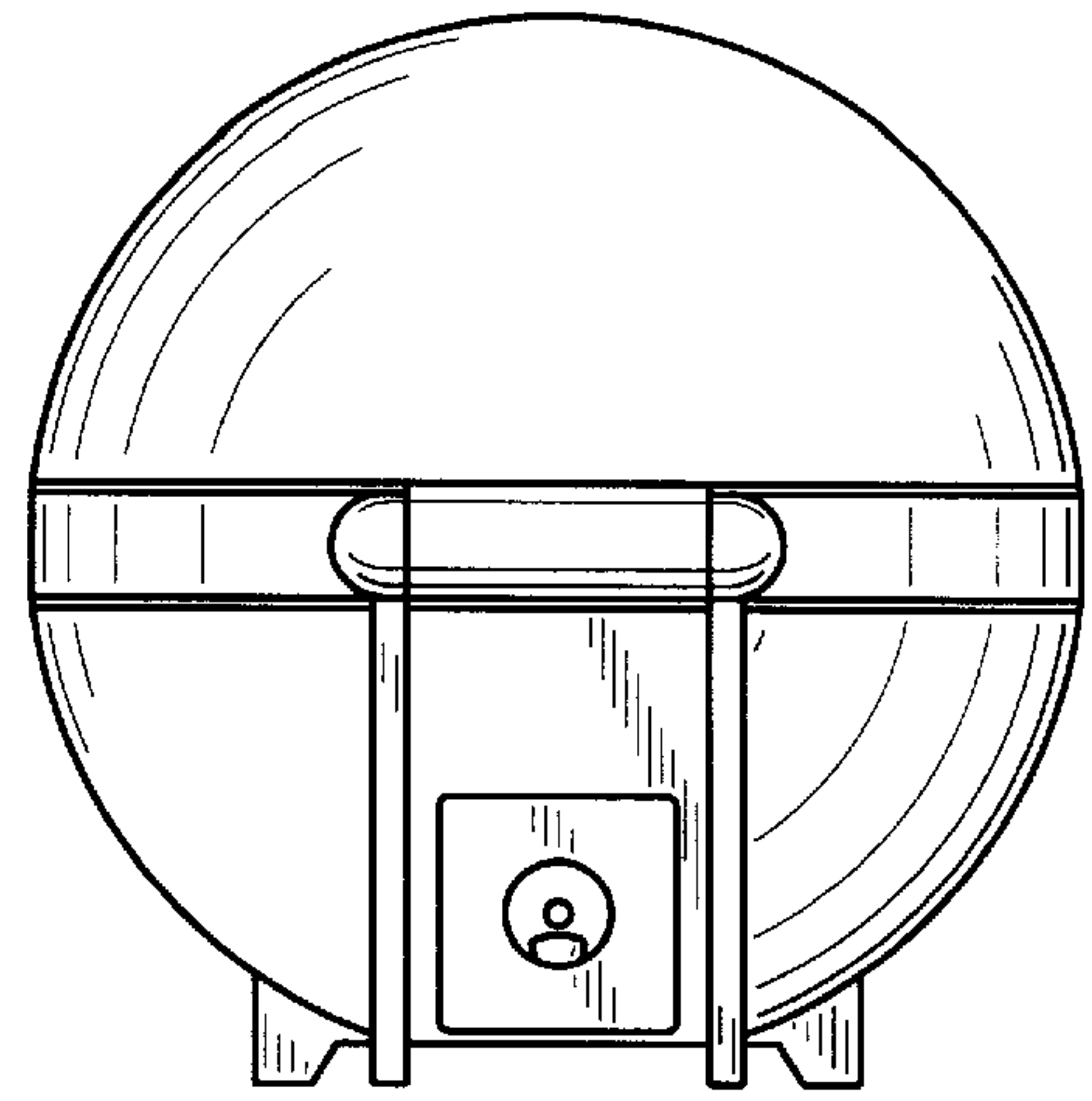


FIG._4

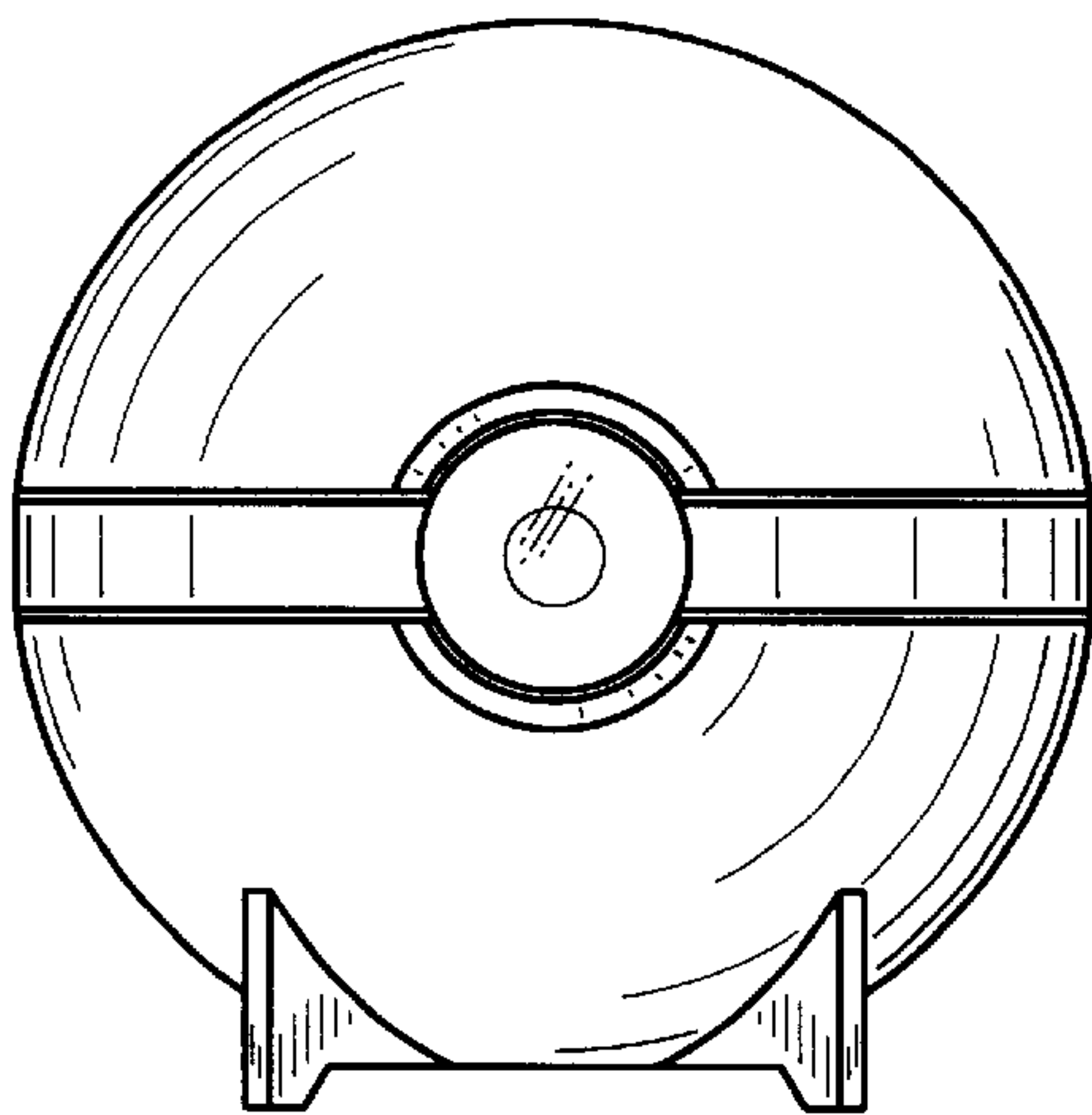


FIG._2

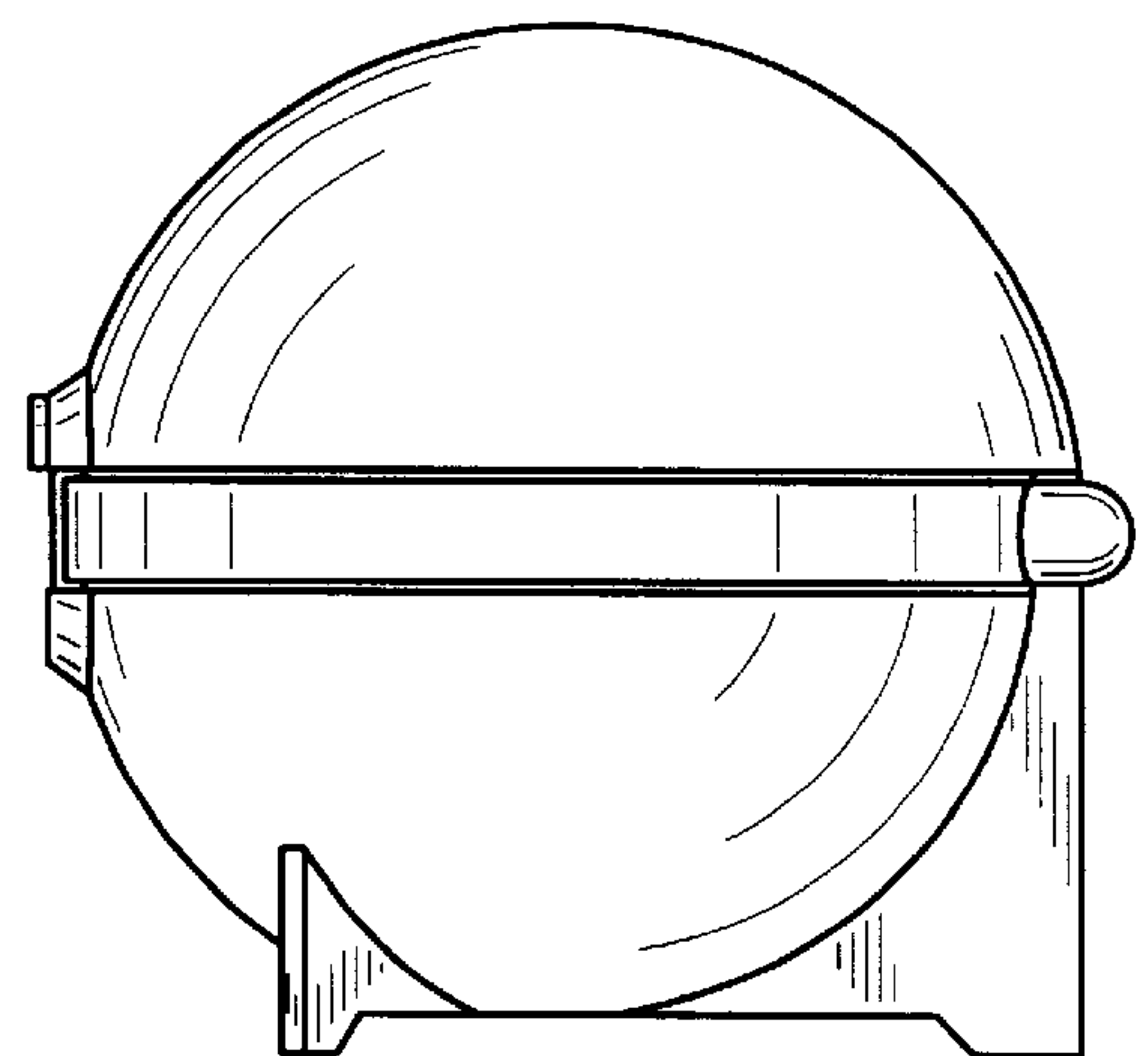


FIG._3

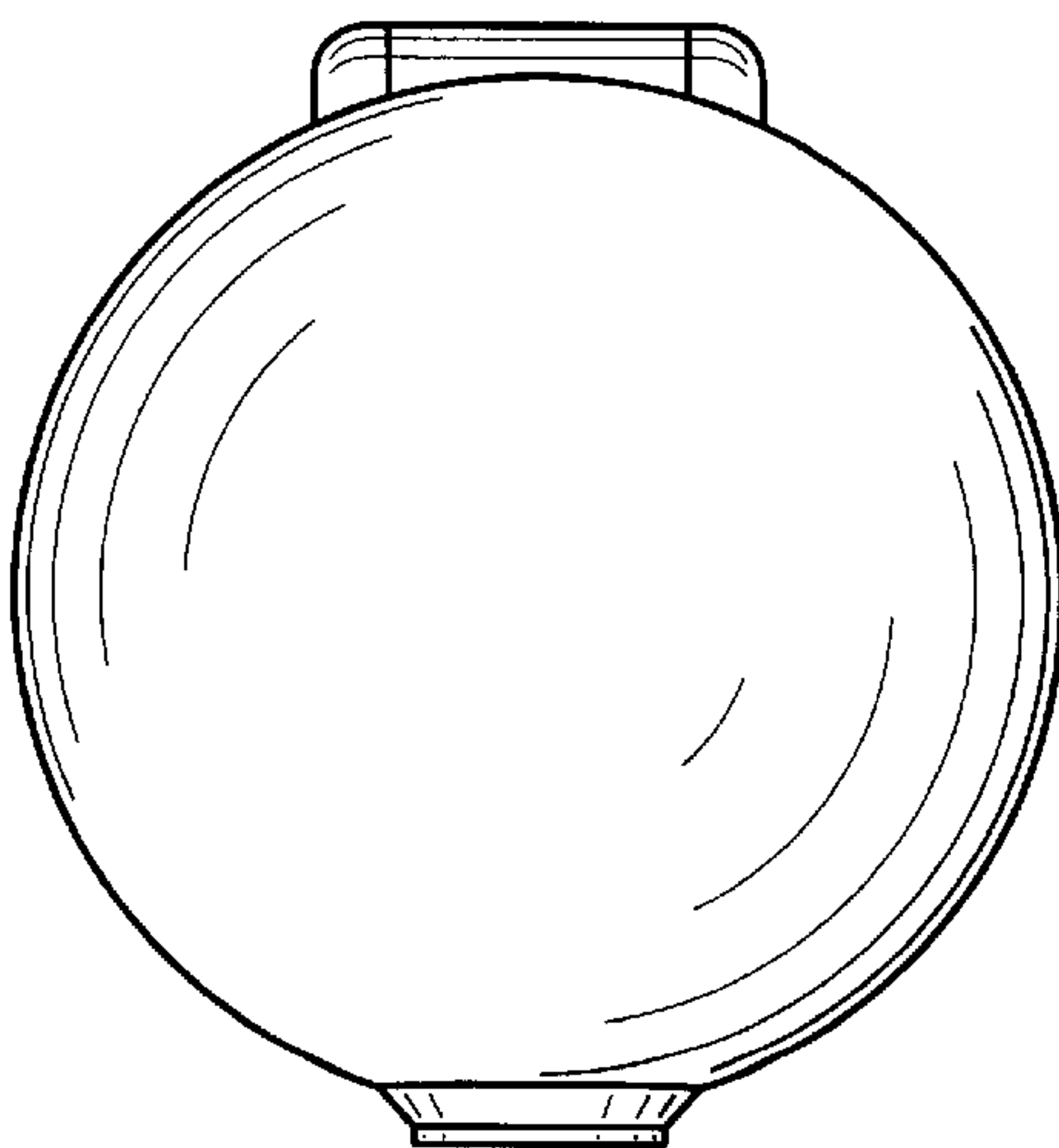


FIG._5

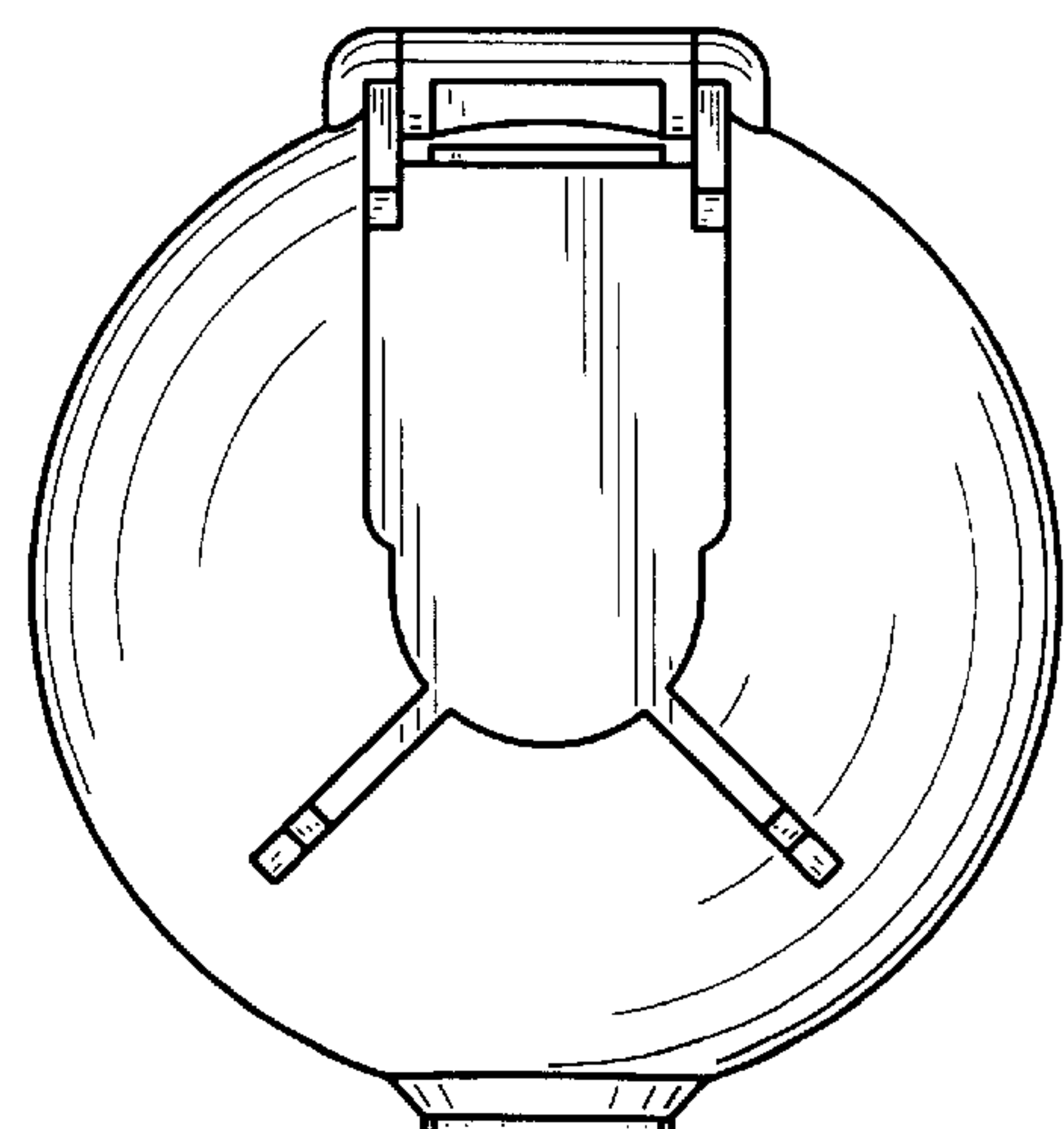


FIG._6