



US00D434853S

United States Patent [19]
Chen

[11] **Patent Number: Des. 434,853**

[45] **Date of Patent: ** Dec. 5, 2000**

[54] **MESSAGE DEVICE**

D. 408,924 4/1999 Chen D24/211
D. 422,084 3/2000 Mickelson D24/211

[76] Inventor: **Kuo-Chin Chen**, 2-1 F., No. 18, Alley
47, Lane 208, Jui An Street, Ta An
District, Taipei, Taiwan

Primary Examiner—Stella Reid

[**] Term: **14 Years**

[57] **CLAIM**

The ornamental design for a message device, as shown and described.

[21] Appl. No.: **29/121,229**

DESCRIPTION

[22] Filed: **Mar. 31, 2000**

[51] **LOC (7) Cl.** **24-04**

[52] **U.S. Cl.** **D24/211**

[58] **Field of Search** D24/211, 214;
601/134, 135, 136, 137

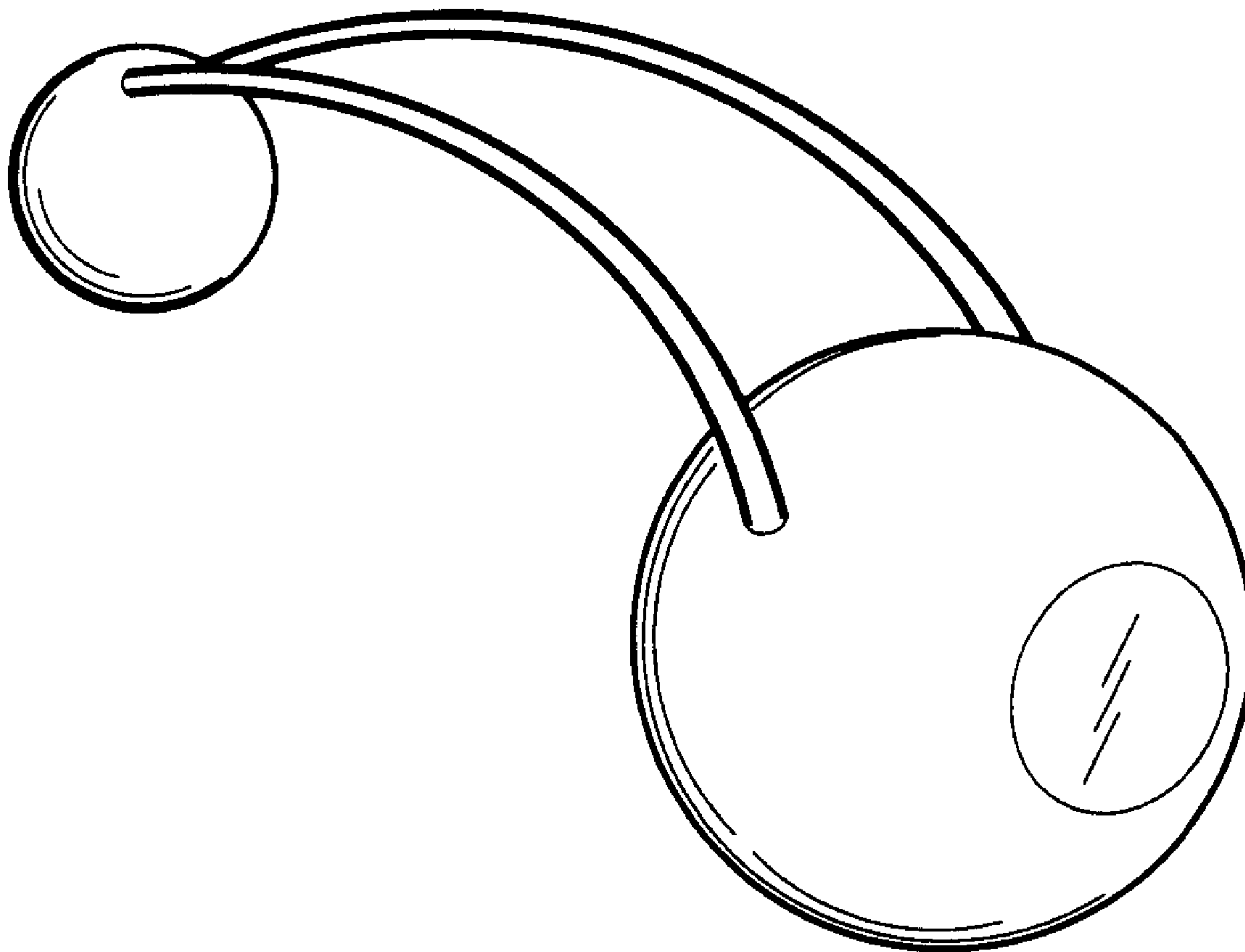
FIG. 1 is a front elevation of a message device showing my design;
FIG. 2 is a rear elevation thereof;
FIG. 3 is a left side elevation thereof;
FIG. 4 is a right side elevation thereof;
FIG. 5 is a top plan view thereof; and
FIG. 6 is a bottom plan view thereof; and,
FIG. 7 is a perspective view thereof;

[56] **References Cited**

U.S. PATENT DOCUMENTS

D. 382,971 8/1997 Haldi D24/211
D. 403,429 12/1998 Blanchard D24/211

1 Claim, 4 Drawing Sheets



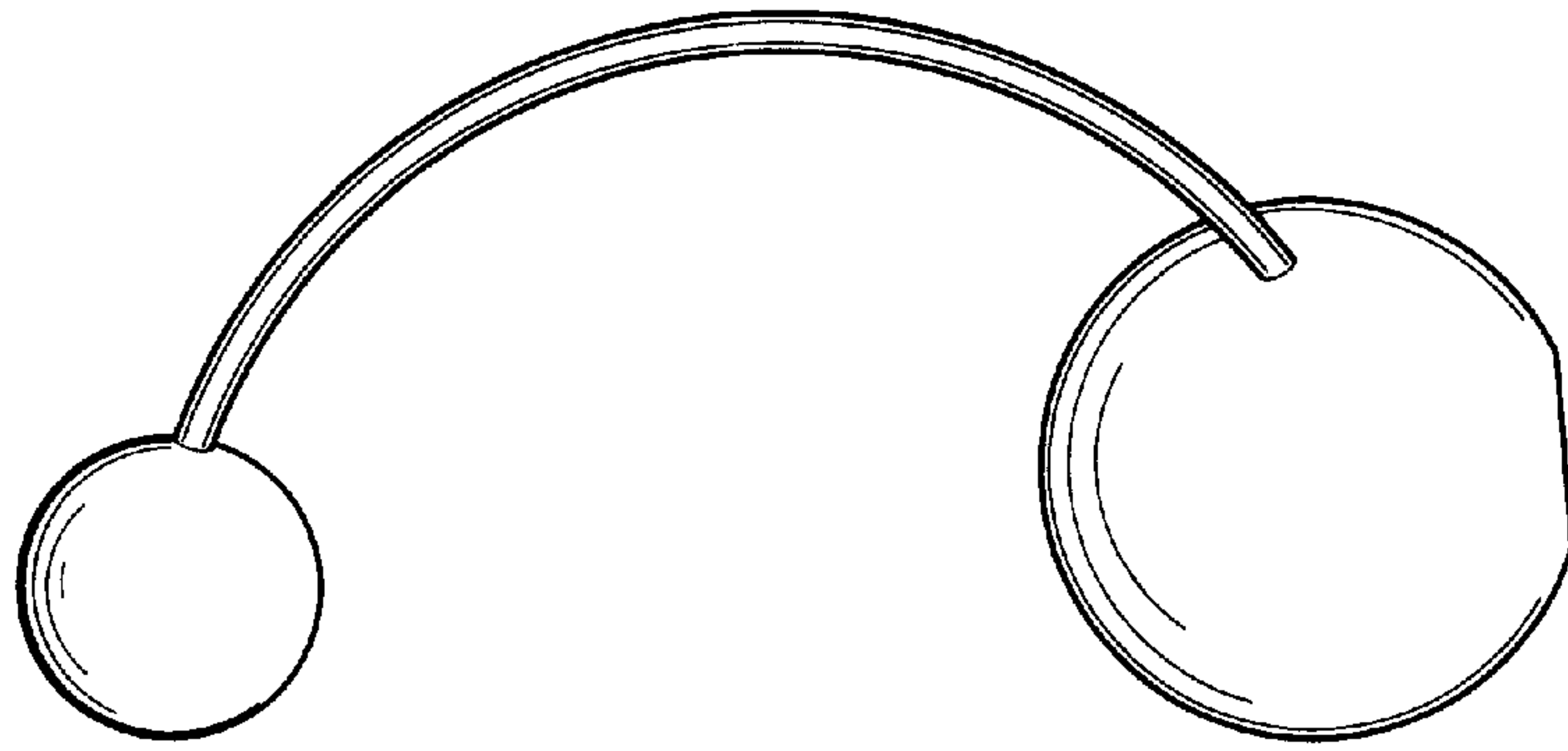


Fig. 1

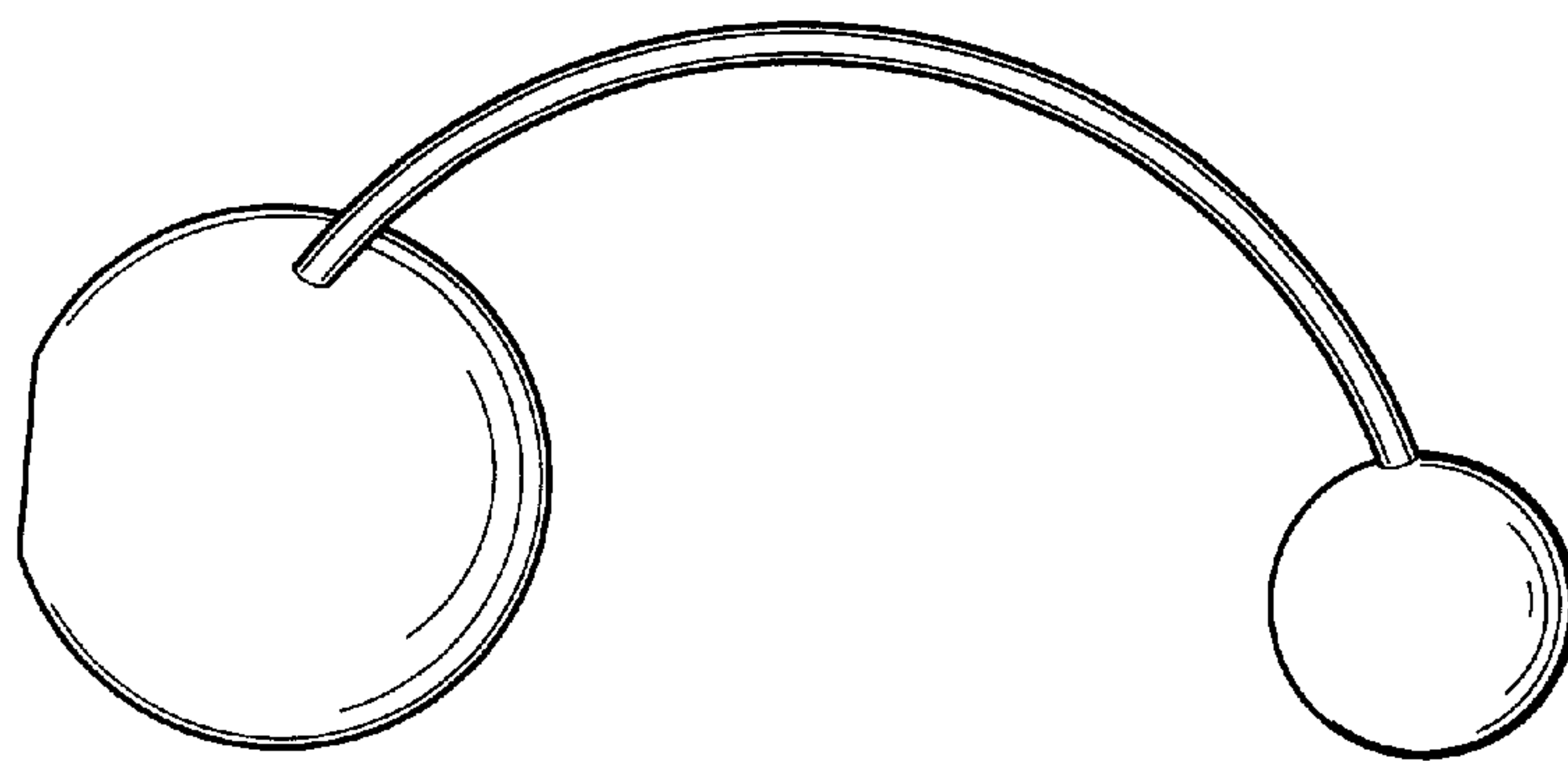


Fig. 2

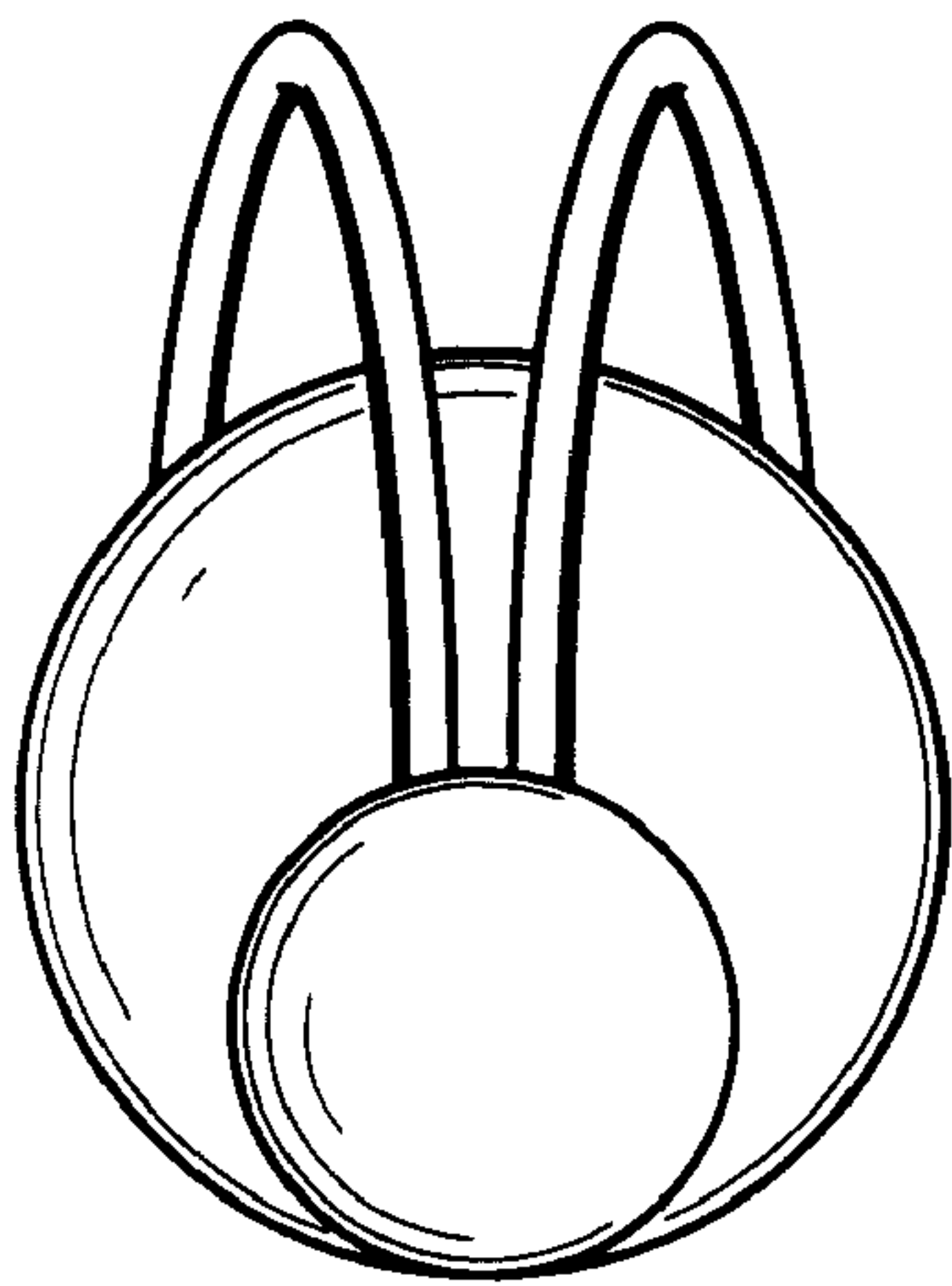


Fig. 3

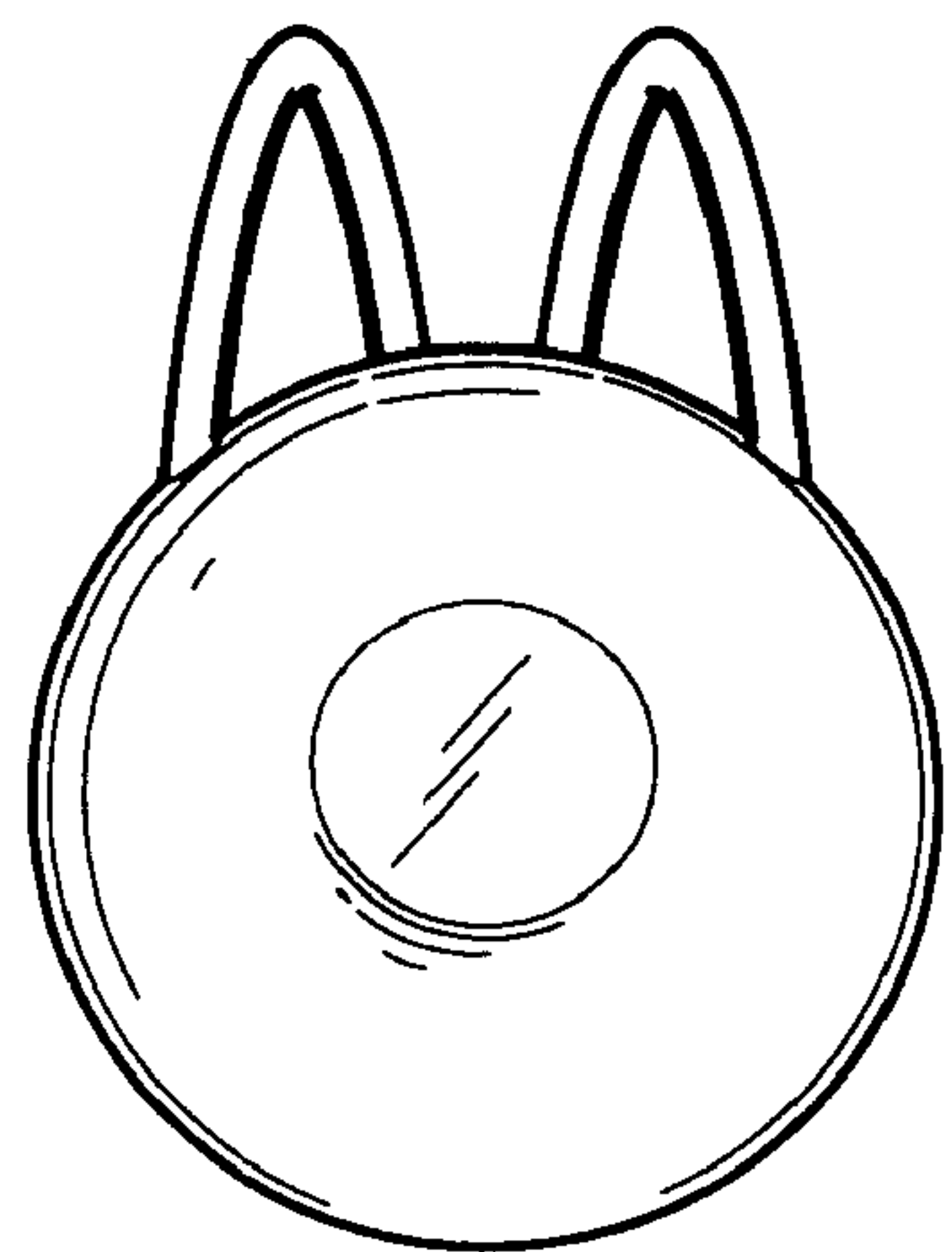


Fig. 4

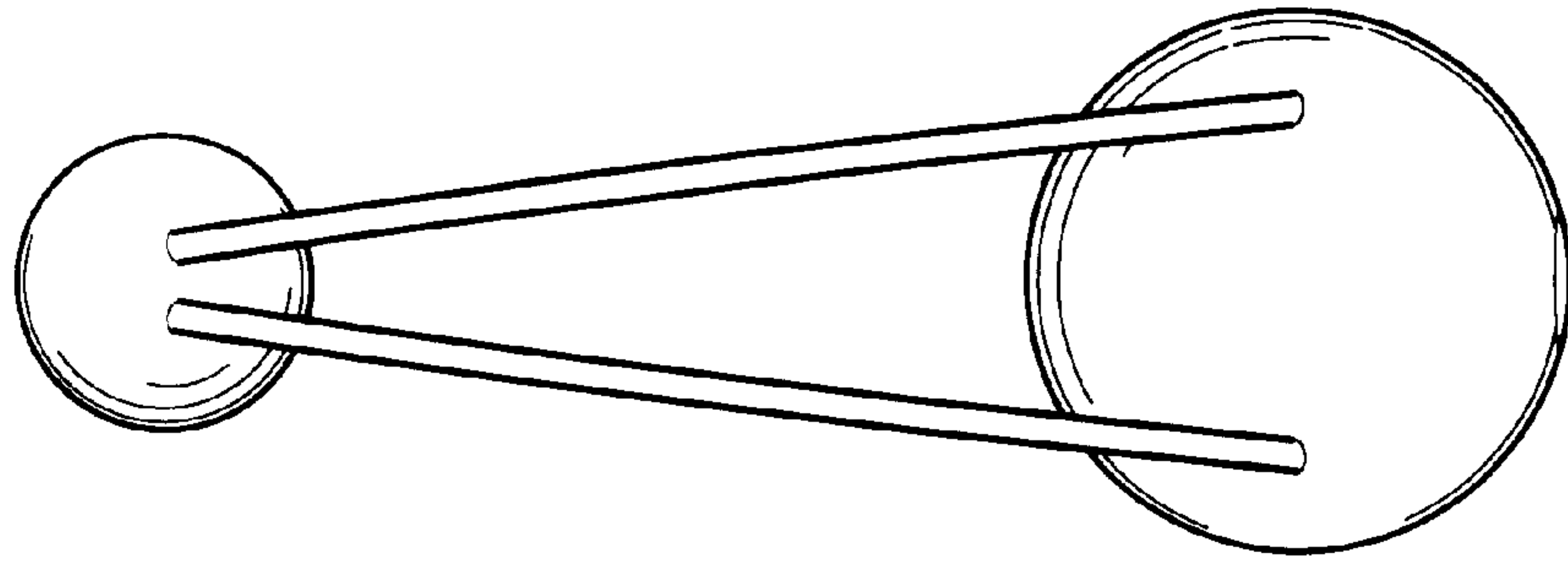


Fig. 5

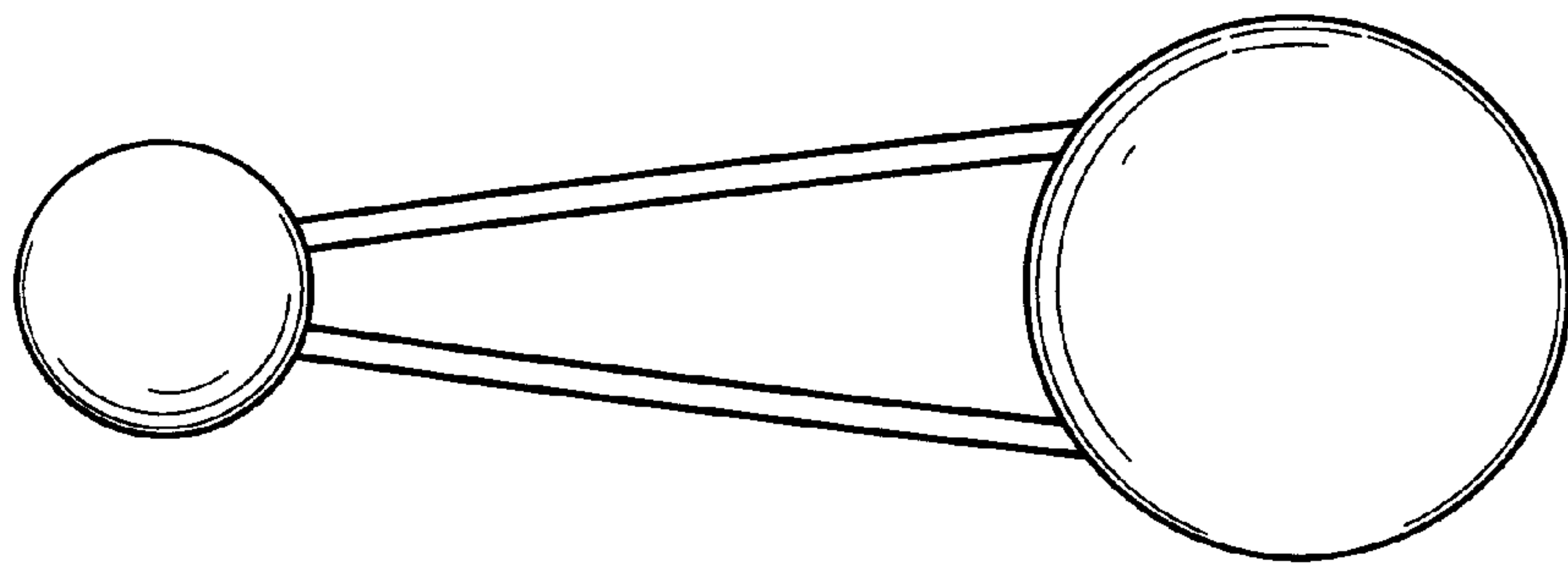


Fig. 6

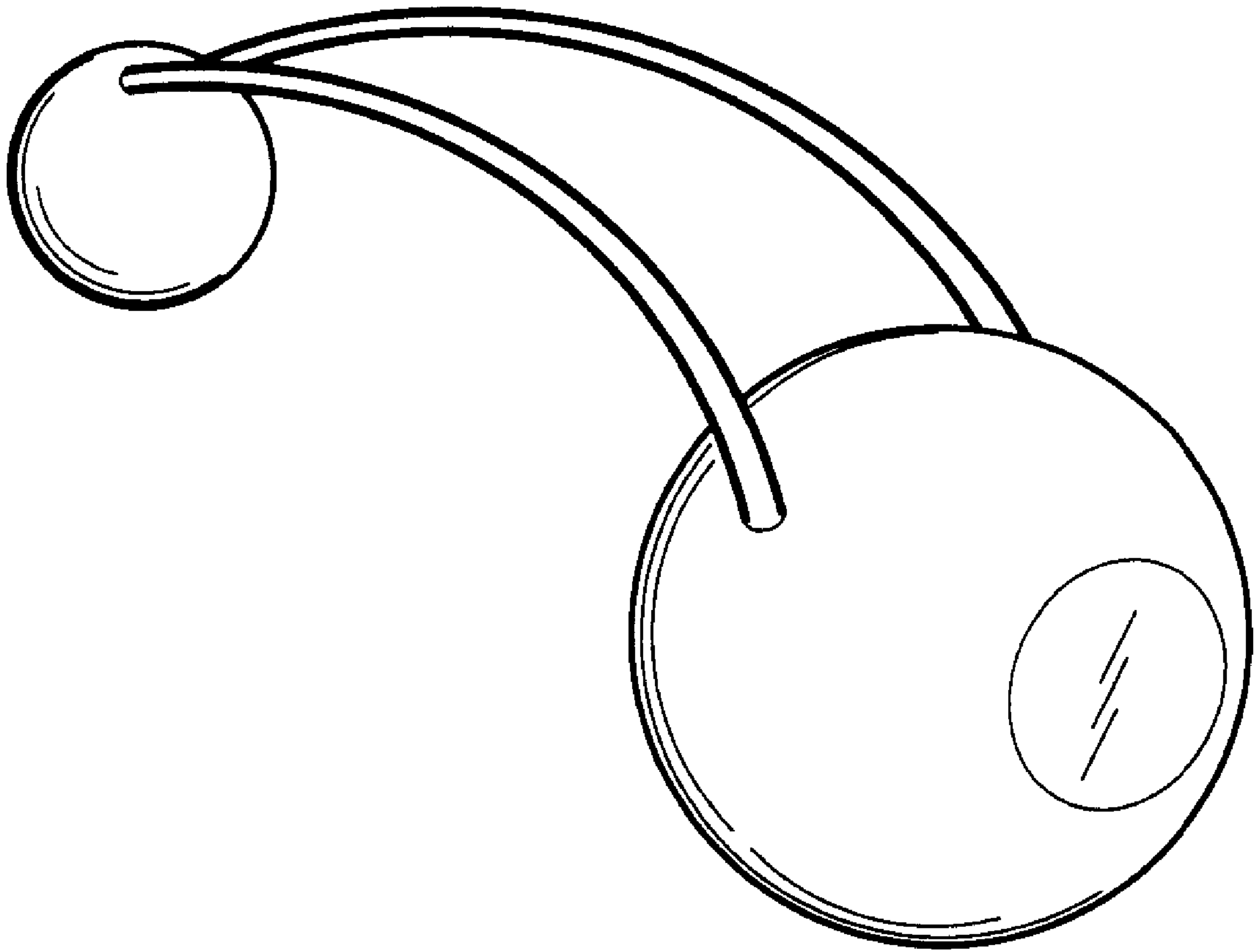


Fig. 7