



US00D434850S

# United States Patent [19] Balestracci

[11] **Patent Number: Des. 434,850**

[45] **Date of Patent: \*\* Dec. 5, 2000**

[54] **FINGER GRIP COLLAR FOR A SYRINGE OR CARTRIDGE BARREL**

5,700,247 12/1997 Grimard et al. .... 604/220  
5,897,532 4/1999 Spallek et al. .... 604/187

[75] Inventor: **Ernest Balestracci, Iseline, N.J.**

### FOREIGN PATENT DOCUMENTS

[73] Assignee: **Bracco Research, USA, Princeton, N.J.**

WO 97/11728 3/1997 WIPO .

[\*\*] Term: **14 Years**

*Primary Examiner*—Stella Reid  
*Assistant Examiner*—I Simmons  
*Attorney, Agent, or Firm*—Imre Balogh

[21] Appl. No.: **29/099,194**

[22] Filed: **Jan. 15, 1999**

### [57] CLAIM

[51] **LOC (7) Cl. .... 24-02**

[52] **U.S. Cl. .... D24/130; D24/112**

[58] **Field of Search .... D24/130, 112, D24/113, 114; 604/227, 220, 187, 218, 230, 232**

The ornamental design for a finger grip collar for a syringe or cartridge barrel, as shown and described.

### DESCRIPTION

### [56] References Cited

#### U.S. PATENT DOCUMENTS

D. 293,130	12/1987	Ashie et al. ....	D24/128
D. 397,790	9/1998	Naganuma ....	D24/130
3,316,909	5/1967	Cowley ....	604/227
3,978,858	9/1976	Tischlinger ....	128/237
5,115,816	5/1992	Lee ....	528/749
5,282,792	2/1994	Imbert ....	604/187
5,554,133	9/1996	Haffner et al. ....	604/227
5,573,514	11/1996	Stiehl et al. ....	604/198
5,607,399	3/1997	Grimard et al. ....	604/220
5,667,495	9/1997	Bitdinger et al. ....	604/220
5,697,918	12/1997	Flasher et al. ....	604/227

FIG. 1 is a perspective view of a finger grip collar for a syringe or cartridge barrel showing my new design; FIG. 2 is a perspective view thereof; FIG. 3 is a perspective view thereof; FIG. 4 is a top plan view thereof, the bottom plan view being identical thereto; FIG. 5 is a front elevational view thereof; FIG. 6 is a rear elevational view thereof; and, FIG. 7 is a side elevational view thereof, the opposite side elevational view being identical thereto. The broken line showing of a cartridge in FIGS. 2, and a syringe in FIG. 3 are for illustrative purposes only and forms no part of the claimed design.

**1 Claim, 3 Drawing Sheets**

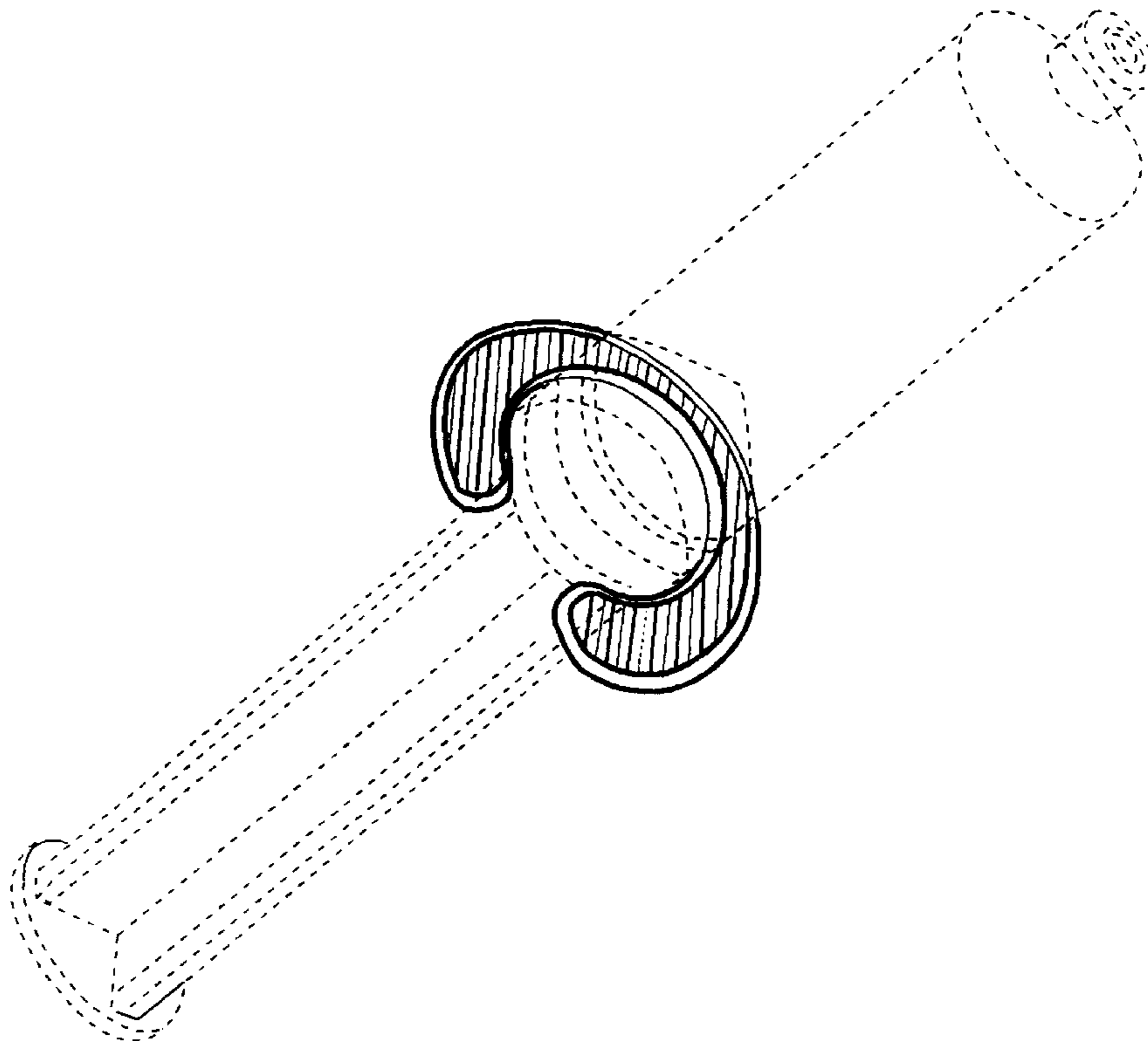


FIG. 1

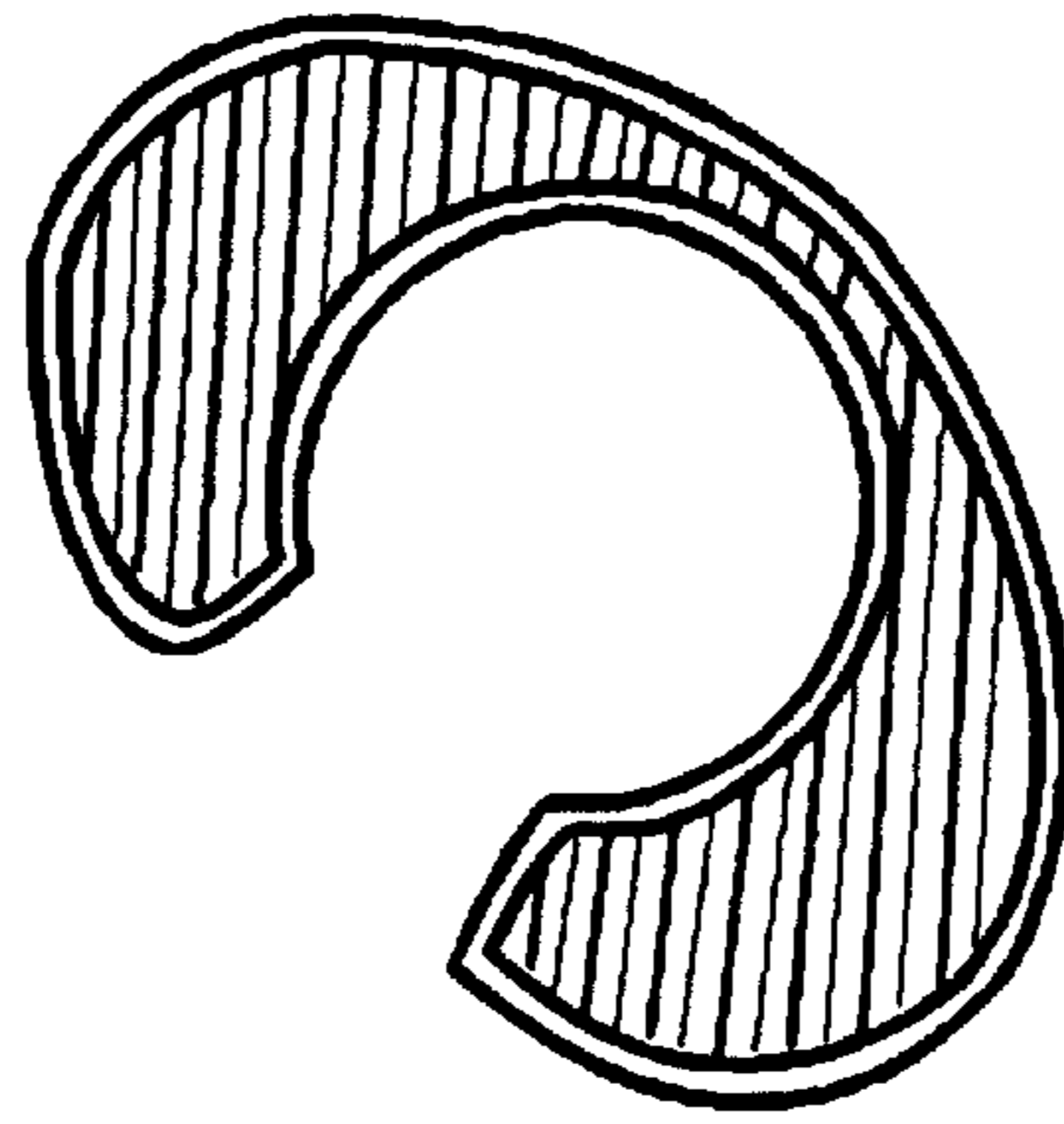


FIG. 2

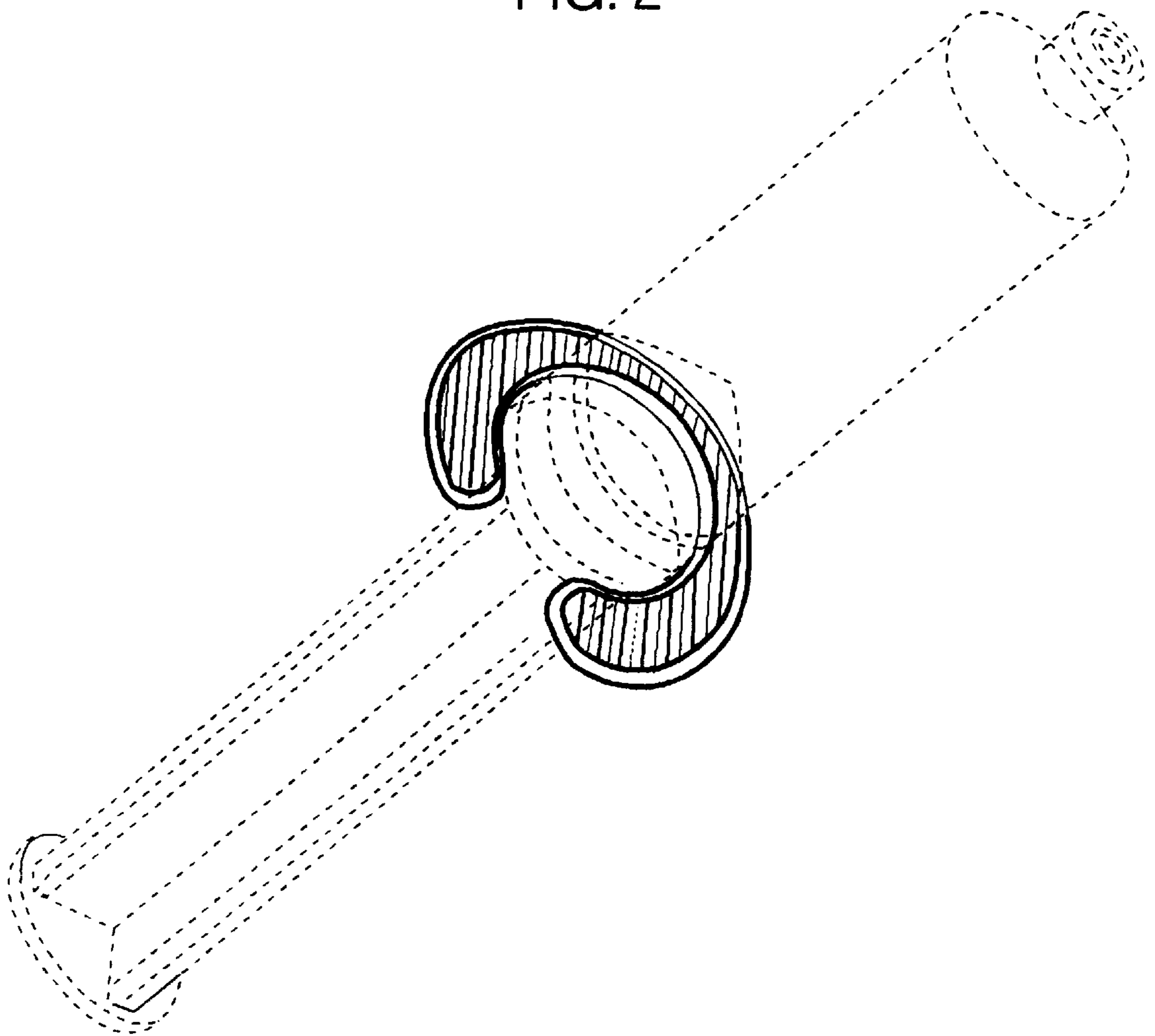


FIG. 3

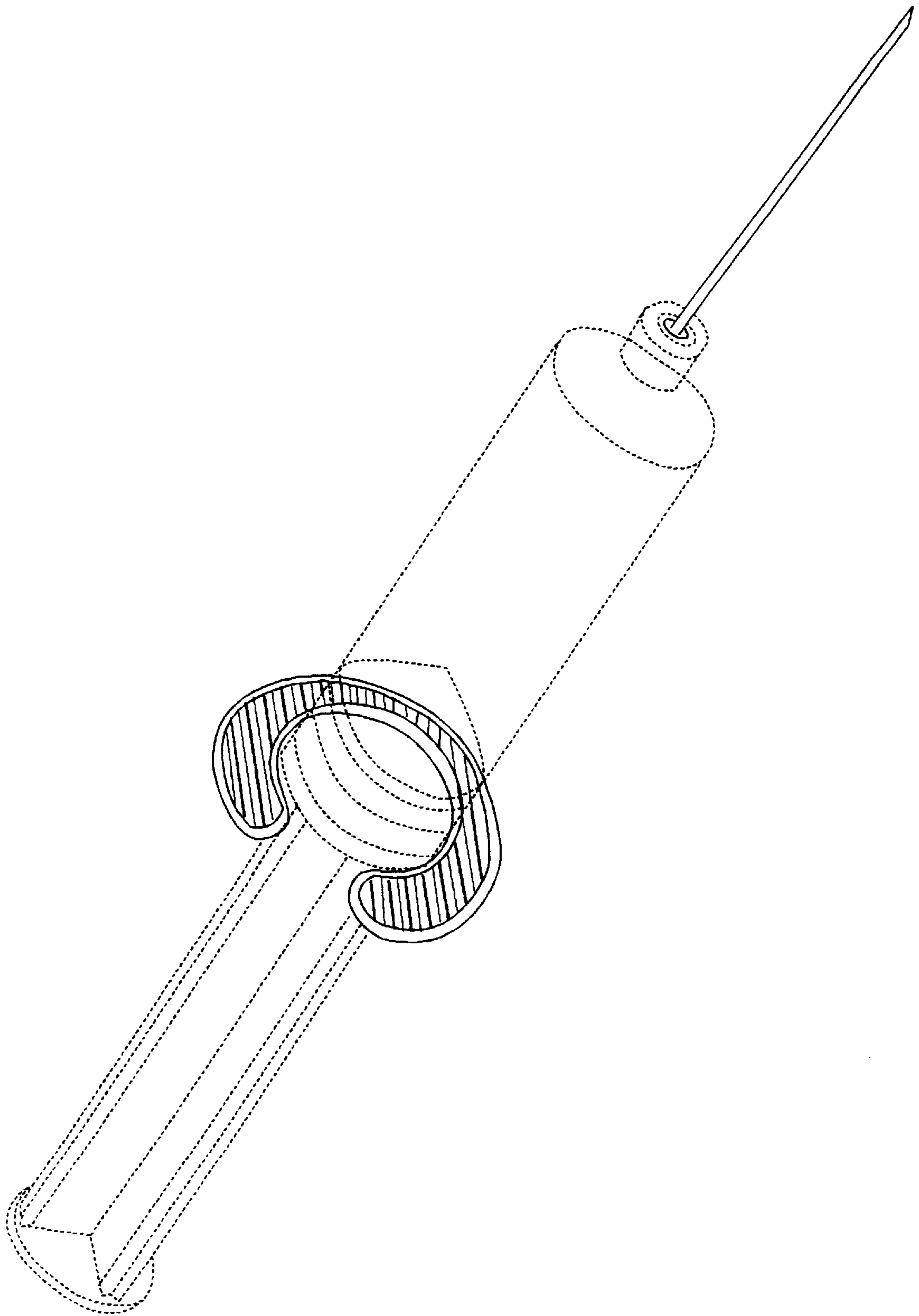


FIG. 4

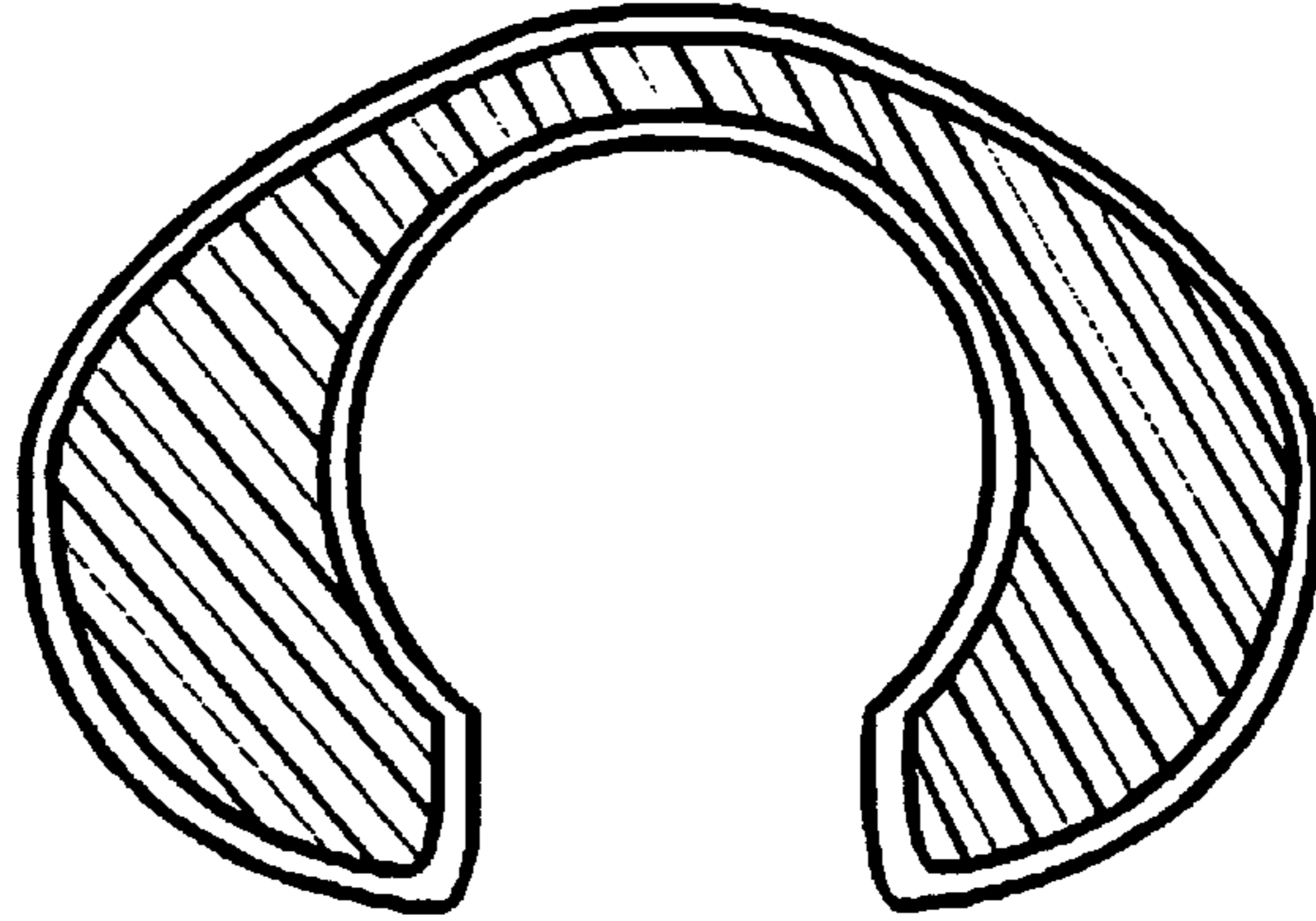


FIG. 5

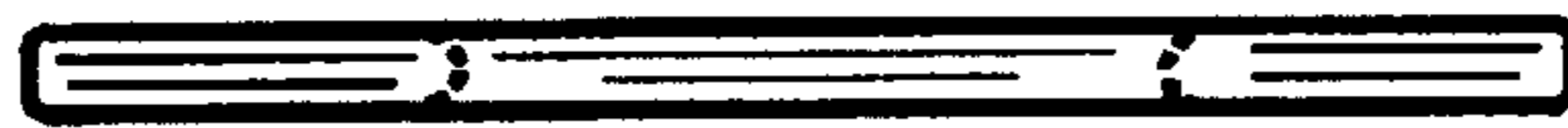


FIG. 6

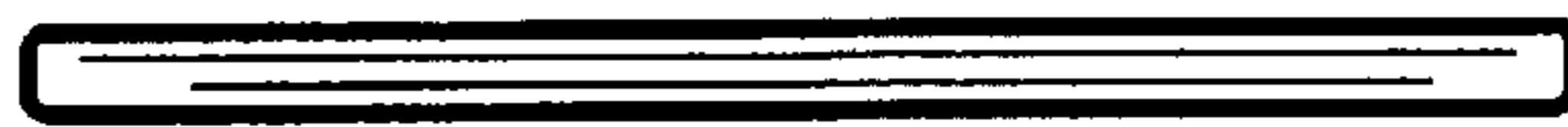


FIG. 7

