



US00D434847S

# United States Patent [19]

Baribeau et al.

[11] Patent Number: **Des. 434,847**

[45] Date of Patent: **\*\* \*Dec. 5, 2000**

[54] **CAP**

[75] Inventors: **Gary A. Baribeau**, Hudson, Wis.; **Kenneth W. Jensen**, Minneapolis, Minn.; **Robert J. Mattila**, Jordan, Minn.; **Michael J. Bartholomew**, Lake Elmo, Minn.; **Joseph G. Reischel**, Woodbury, Minn.

[73] Assignee: **3M Innovative Properties Company**, St. Paul, Minn.

[\*] Notice: This patent is subject to a terminal disclaimer.

[\*\*] Term: **14 Years**

[21] Appl. No.: **29/090,937**

[22] Filed: **Jul. 20, 1998**

[51] **LOC (7) Cl.** ..... **29-02**

[52] **U.S. Cl.** ..... **D24/110**

[58] **Field of Search** ..... D24/110, 110.1, D24/110.2, 110.3, 110.4, 110.5; 128/206.15, 206.17, 207.16, 206.12, 206.13, 205.25, 201.28, 206.21; D9/435; 215/200, 277, 317, 318, 337, 339

[56] **References Cited**

**U.S. PATENT DOCUMENTS**

D. 310,585 9/1990 Newcomb ..... D24/110

D. 414,861	10/1999	Metzger	.....	D24/110
1,440,989	1/1923	Hammer	.....	215/339
3,123,241	3/1964	Nofer et al.	.....	215/337 X
5,022,394	6/1991	Chmielinski	.....	128/207.14
5,535,736	7/1996	Jzaw	.....	128/202.26
5,647,356	7/1997	Osendorf et al.	.....	128/206.17

*Primary Examiner*—Ian Simmons  
*Attorney, Agent, or Firm*—Karl G. Hanson

[57] **CLAIM**

The ornamental design for a cap, as shown and described.

**DESCRIPTION**

FIG. 1 is a top perspective view of a first embodiment of a cap, showing the new design.

FIG. 2 is a top view thereof.

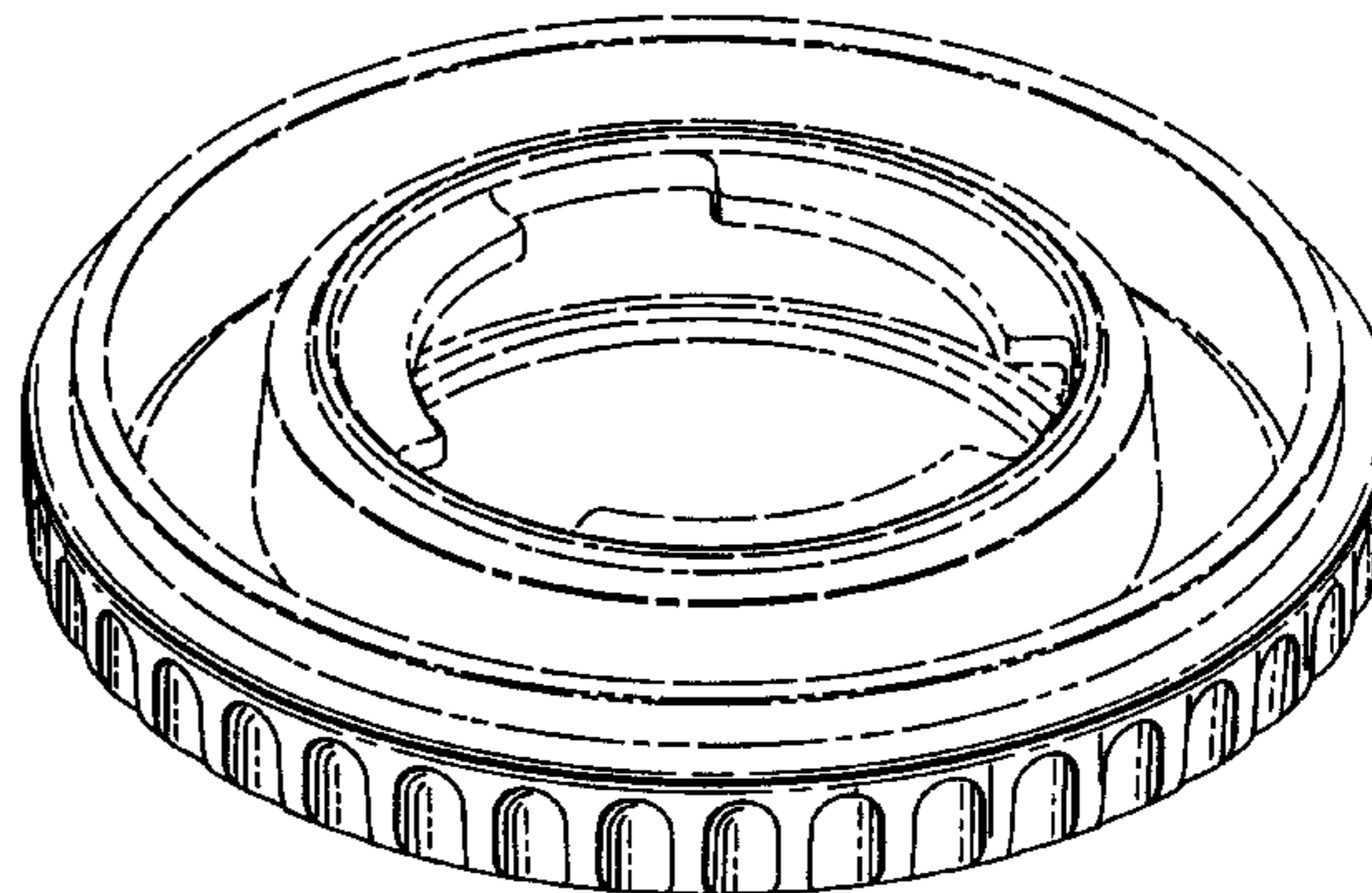
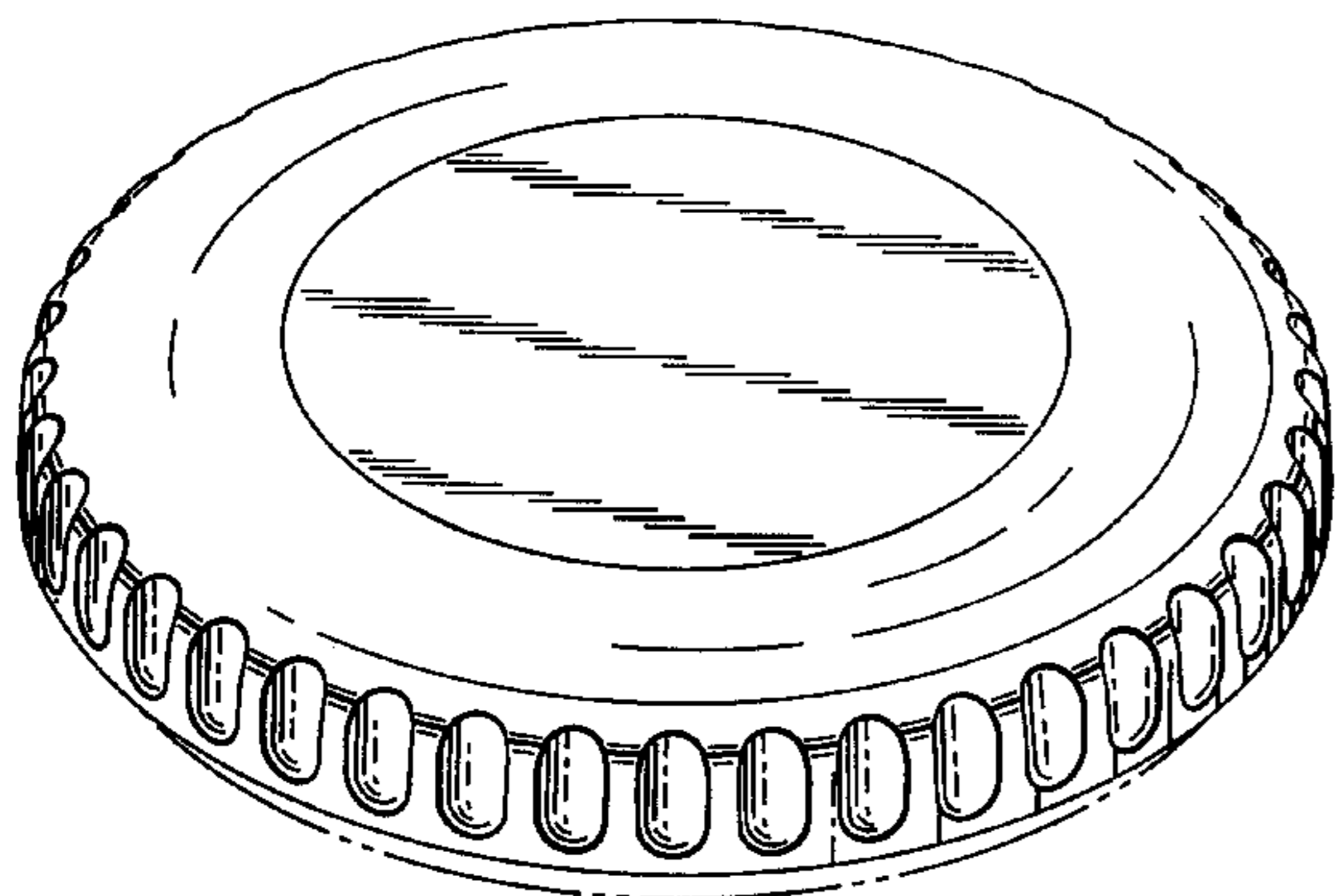
FIG. 3 is a bottom view thereof.

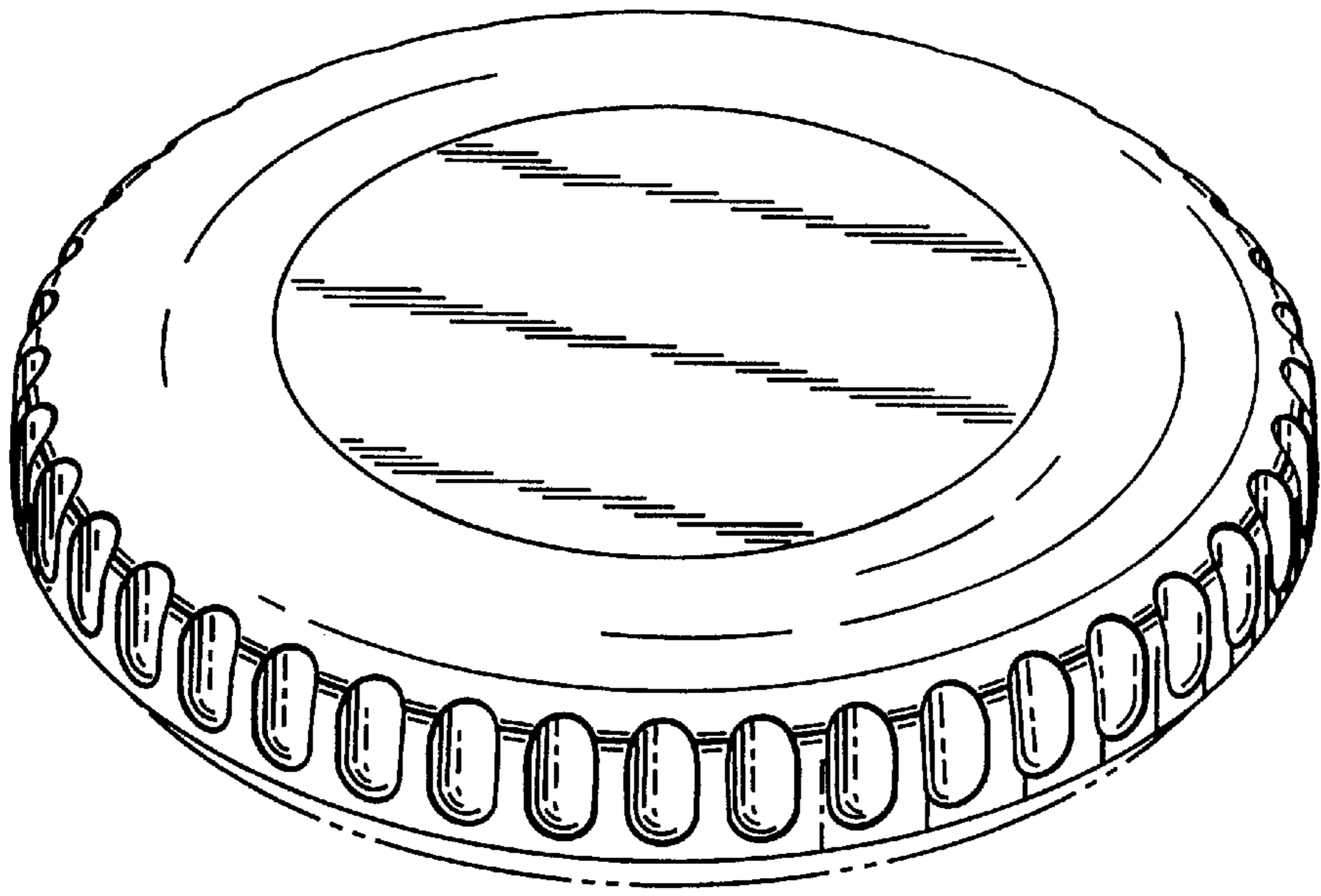
FIG. 4 is a front view thereof. The rear elevational view is the same as the front elevational view; and,

FIG. 5 is a perspective view of the bottom of the cap in an inverted position relative to FIGS. 1–4.

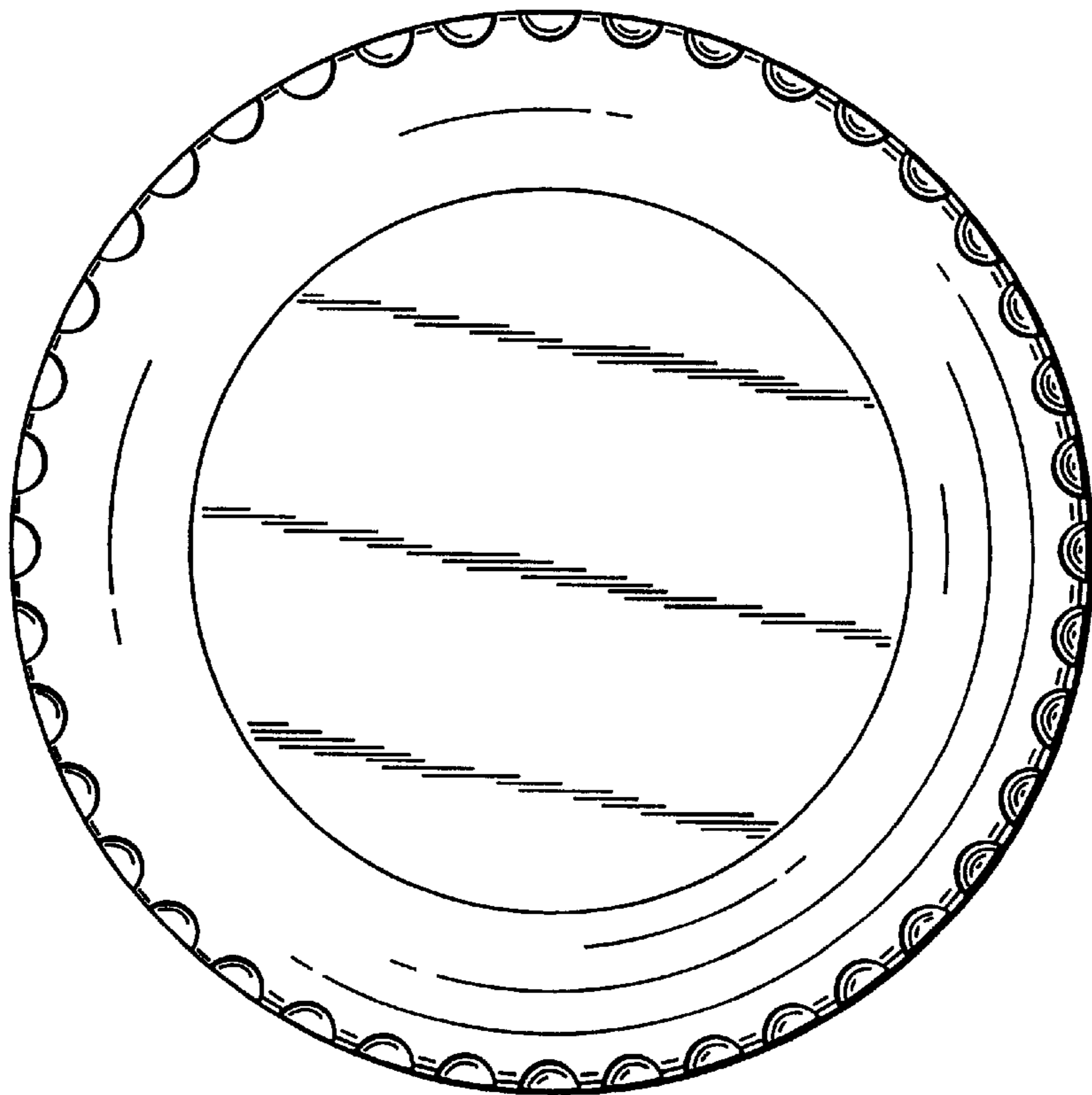
The shading shown in the figures is provided merely to illustrate the contour of the new design; it is not intended to be indicative of any particular texture. The broken line showing in the drawings forms no part of the claimed design.

**1 Claim, 3 Drawing Sheets**

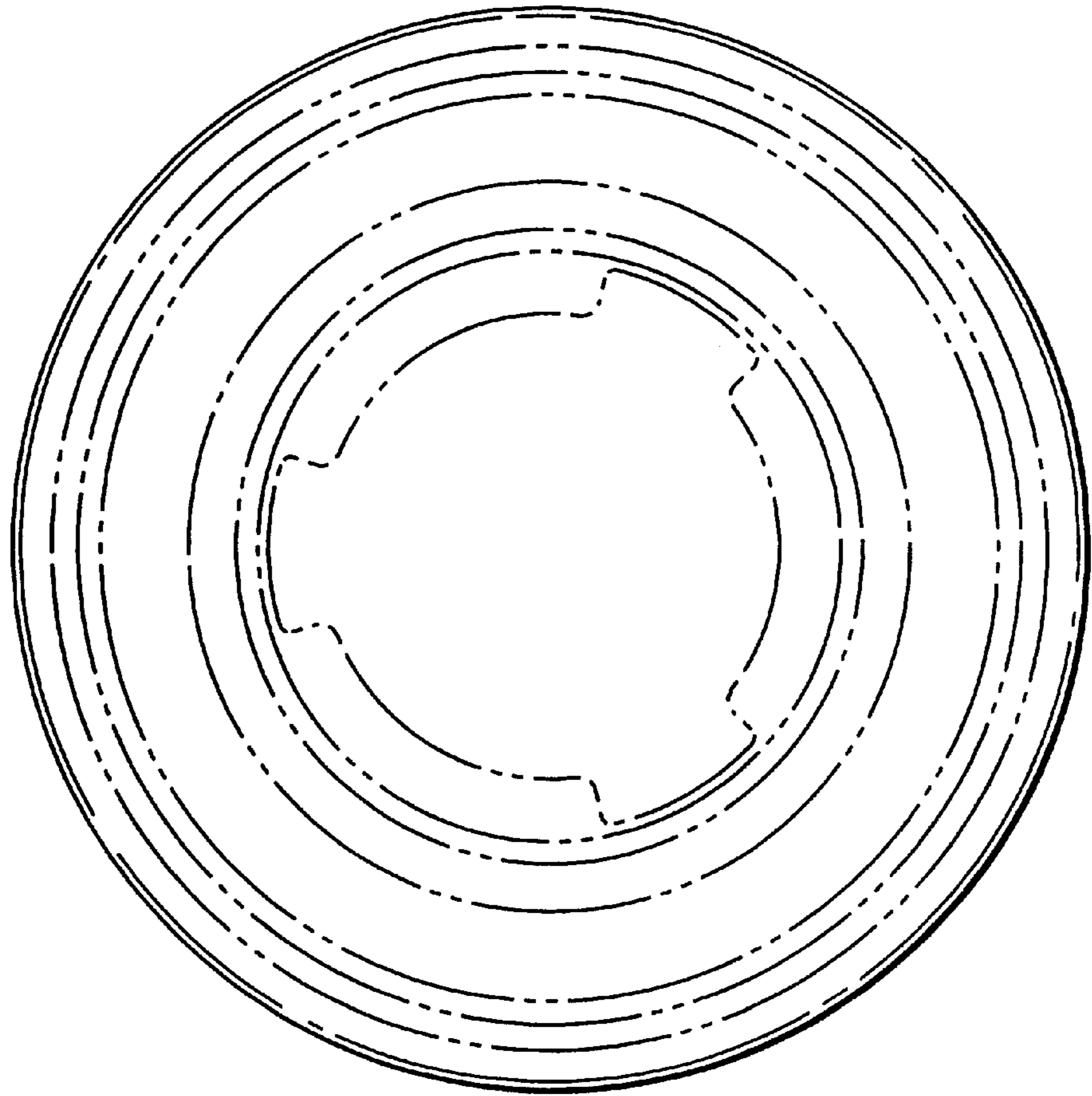




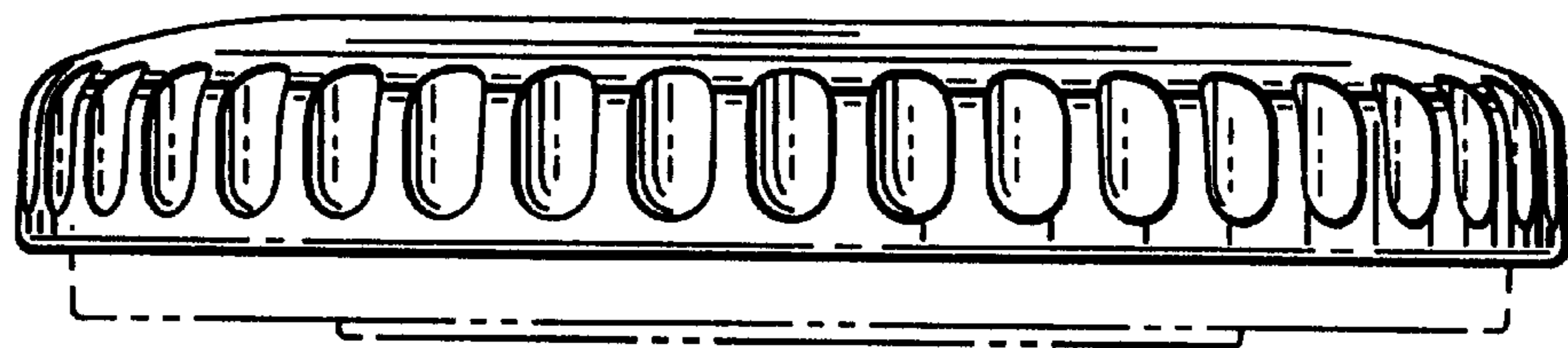
**Fig. 1**



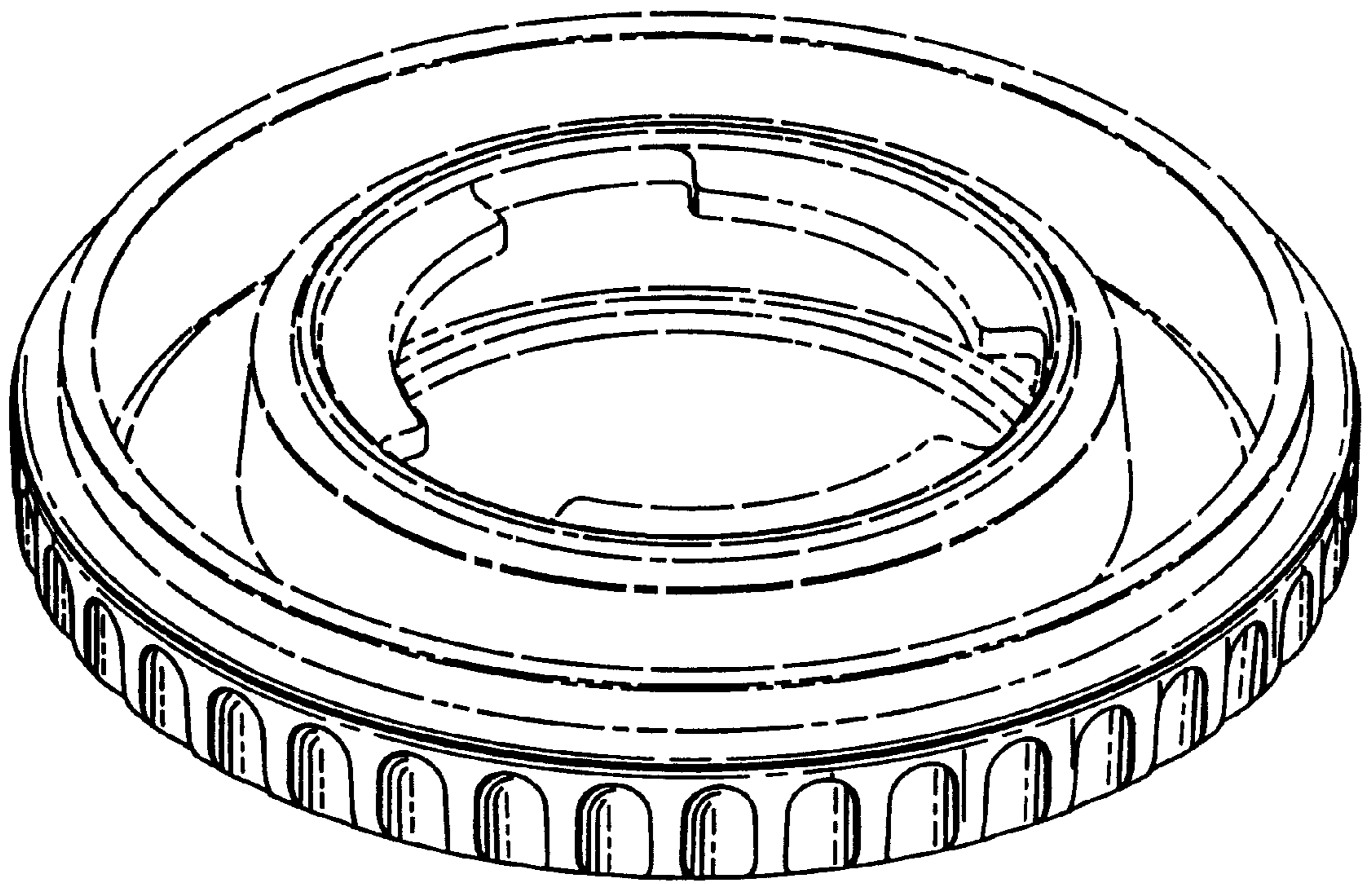
**Fig. 2**



**Fig. 3**



**Fig. 4**



**Fig. 5**