



US00D434844S

United States Patent [19]

[11] **Patent Number: Des. 434,844**

Williams

[45] **Date of Patent: ** Dec. 5, 2000**

[54] **COMBINED CEILING FAN AND LIGHT FIXTURE**

OTHER PUBLICATIONS

[75] Inventor: **Tammy Williams**, Phoenix, Ariz.

Craftmade Catalog, pp. 9 and 10, Ceiling Fan Nos. CB60EB, CB60SW, CB60BS, CB60VG, CB60PB, CB60OI, CB60PE, 1998.

[73] Assignee: **Litex Industries, Inc.**, Grand Prairie, Tex.

Sea Gull Lighting® Catalog, pp. 71 and 72, Ceiling Fan Nos. 3130-09, 5130-09, 6530-09, 5136-09, 3136-09 and 6536-09, Feb. 1999.

[**] Term: **14 Years**

Primary Examiner—Lisa Lichtenstein
Attorney, Agent, or Firm—Sidley & Austin

[21] Appl. No.: **29/112,328**

[57] **CLAIM**

[22] Filed: **Oct. 14, 1999**

The ornamental design for a combined ceiling fan and light fixture, as shown and described.

[51] **LOC (7) Cl.** **23-04**

[52] **U.S. Cl.** **D23/377; D23/379; D23/385; D26/59**

DESCRIPTION

[58] **Field of Search** D23/377, 379, D23/385, 411, 413; 416/5; 392/364; 362/96; D26/59, 51, 72, 81-86, 88

FIG. 1 is a perspective view of a ceiling fan embodying my design;

FIG. 2 is a front view thereof, the rear view being identical to that shown, and the side views being substantially identical to that shown;

FIG. 3 is a bottom view thereof; and,

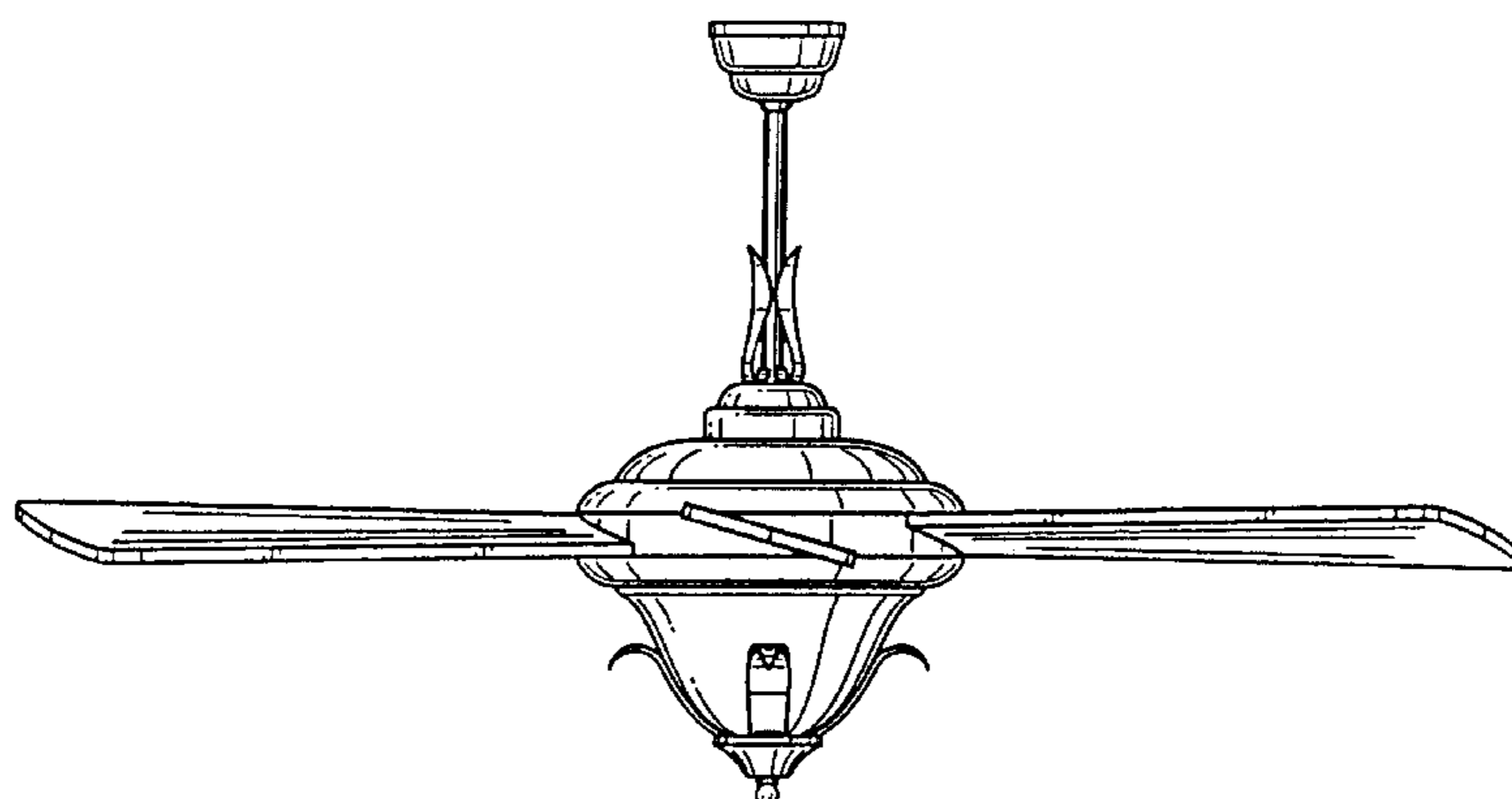
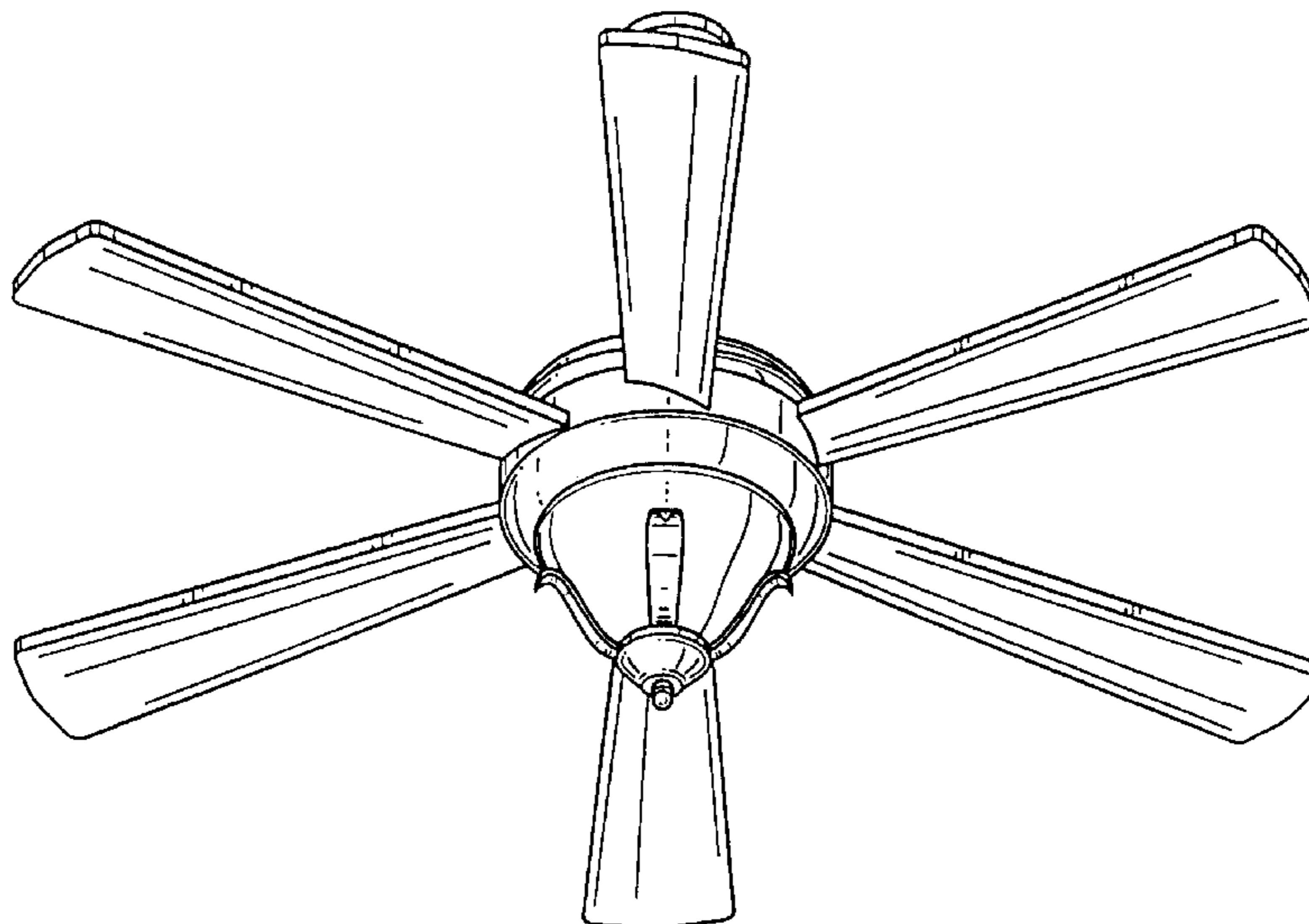
FIG. 4 is a top view thereof.

[56] **References Cited**

U.S. PATENT DOCUMENTS

D. 384,739	10/1997	Dolan	D23/411
D. 397,782	9/1998	Gee, II	D23/411
D. 415,269	10/1999	Wang	D23/377

1 Claim, 4 Drawing Sheets



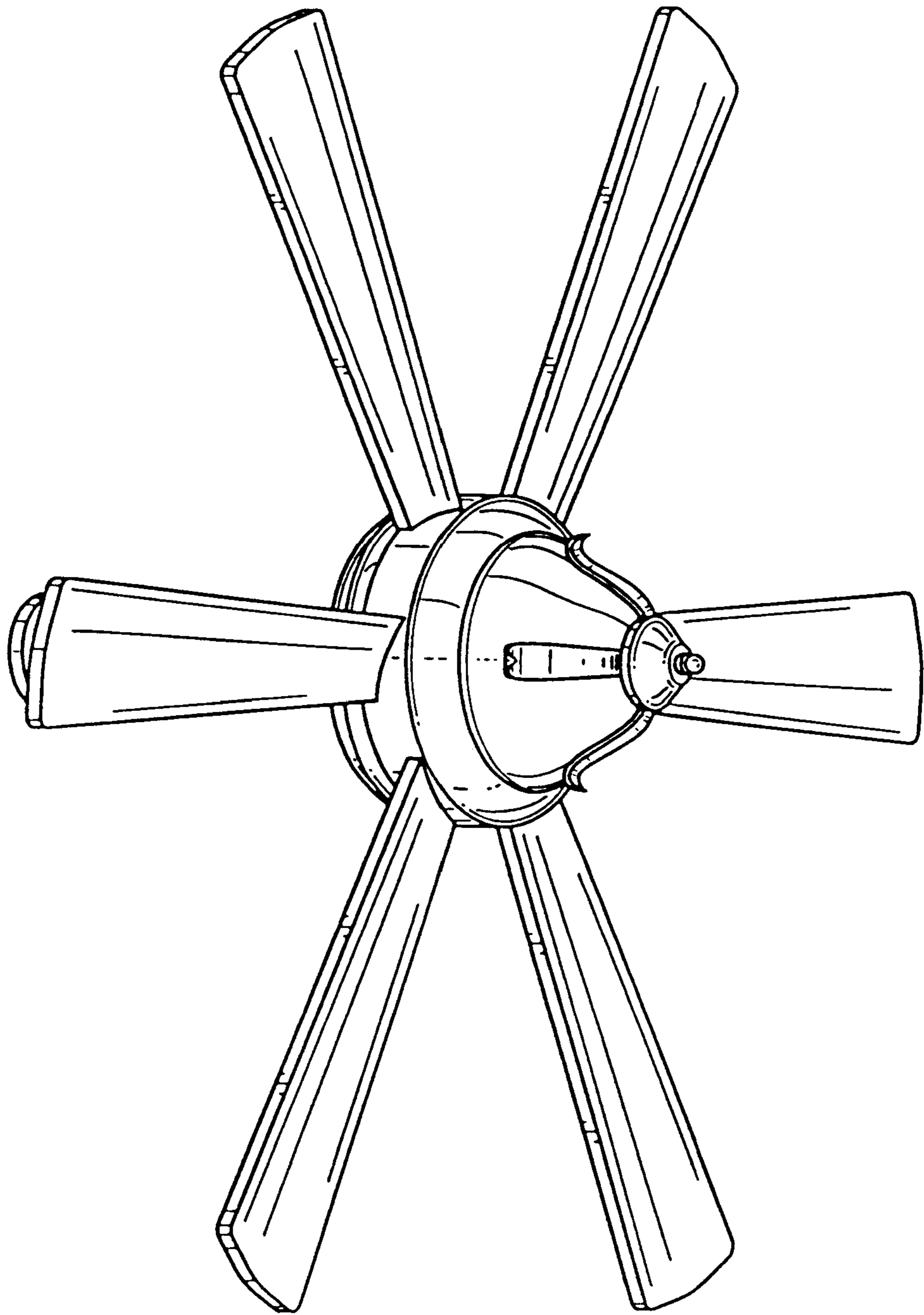


FIG. 1

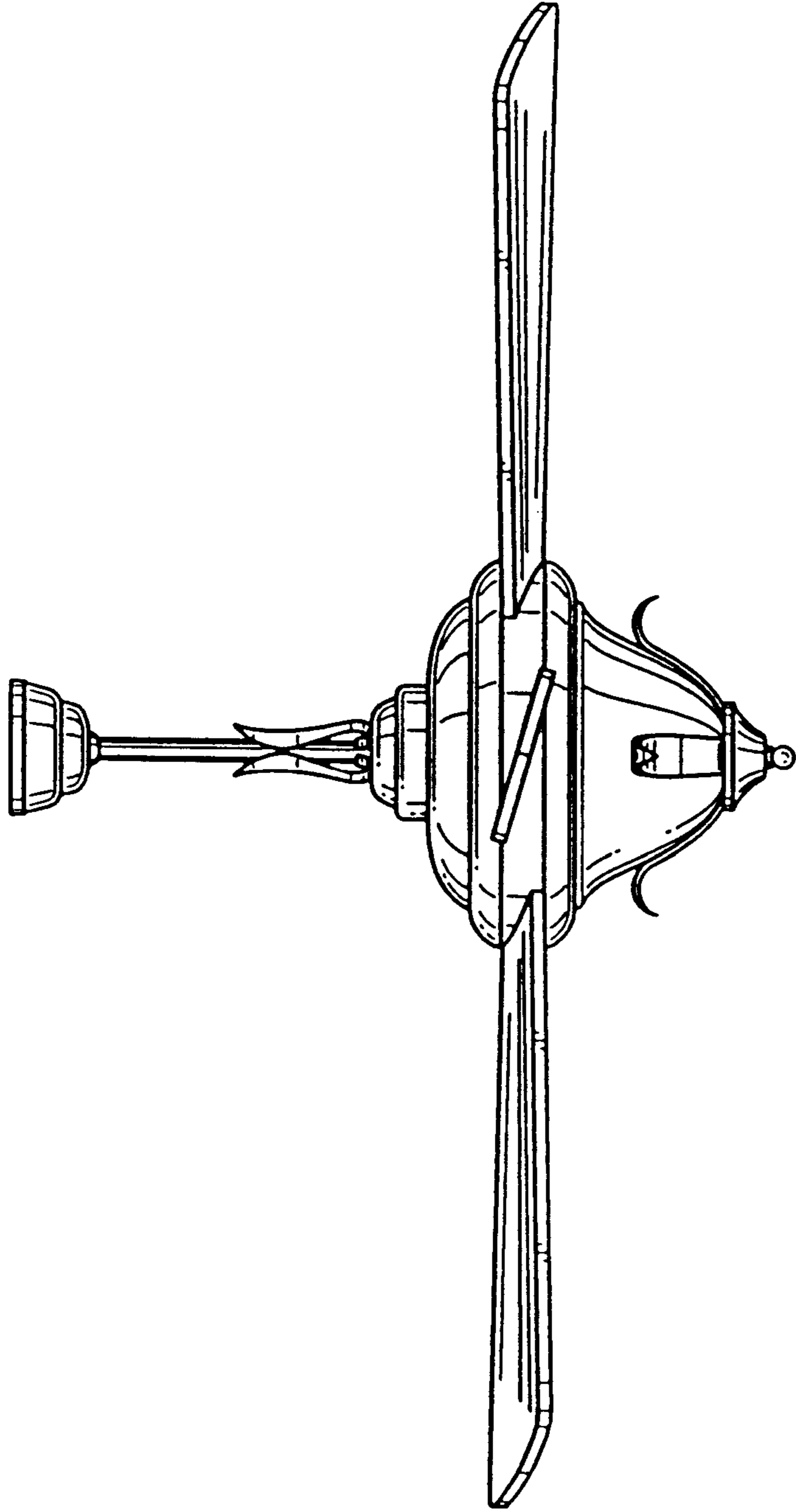


FIG. 2

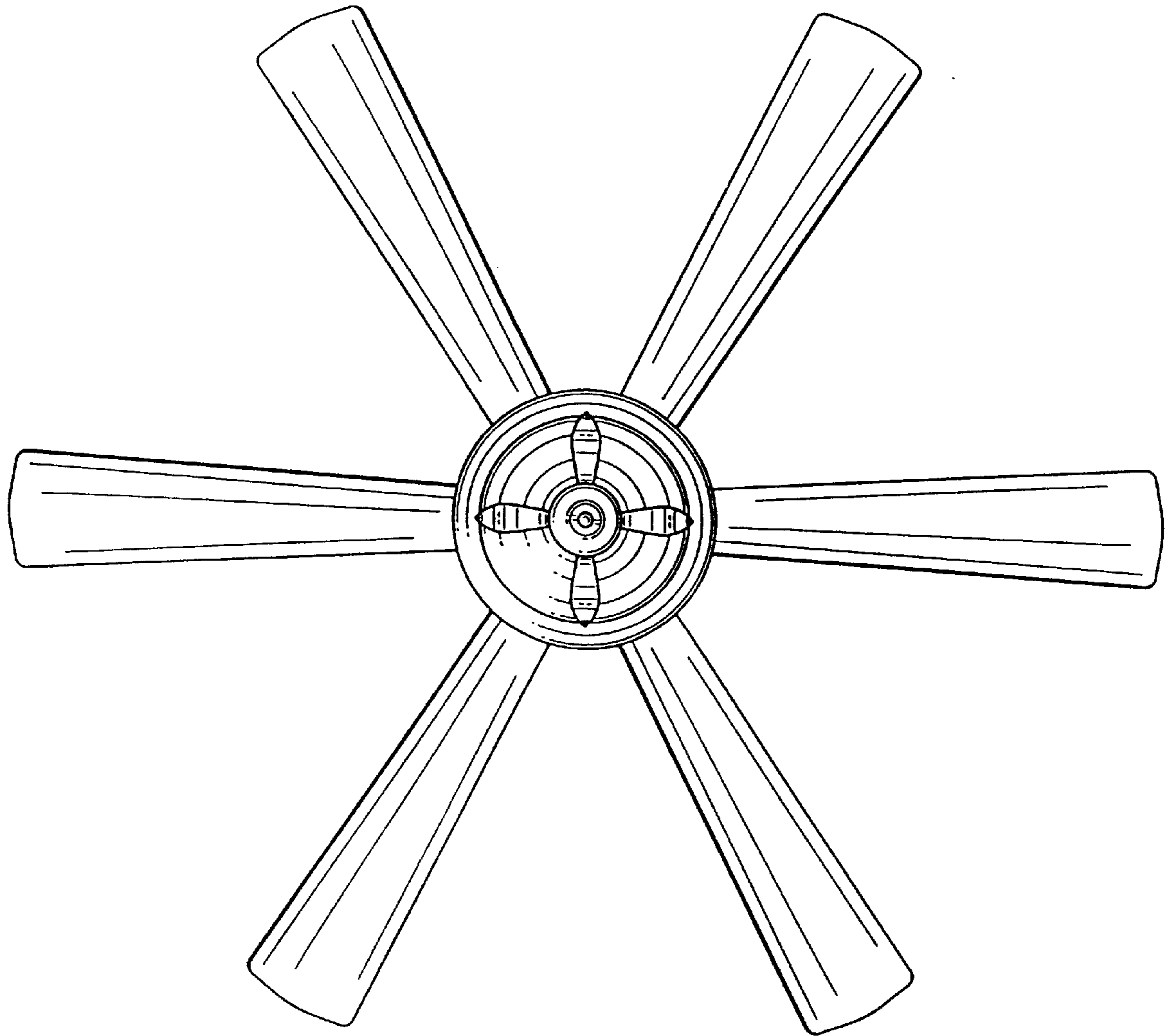


FIG. 3

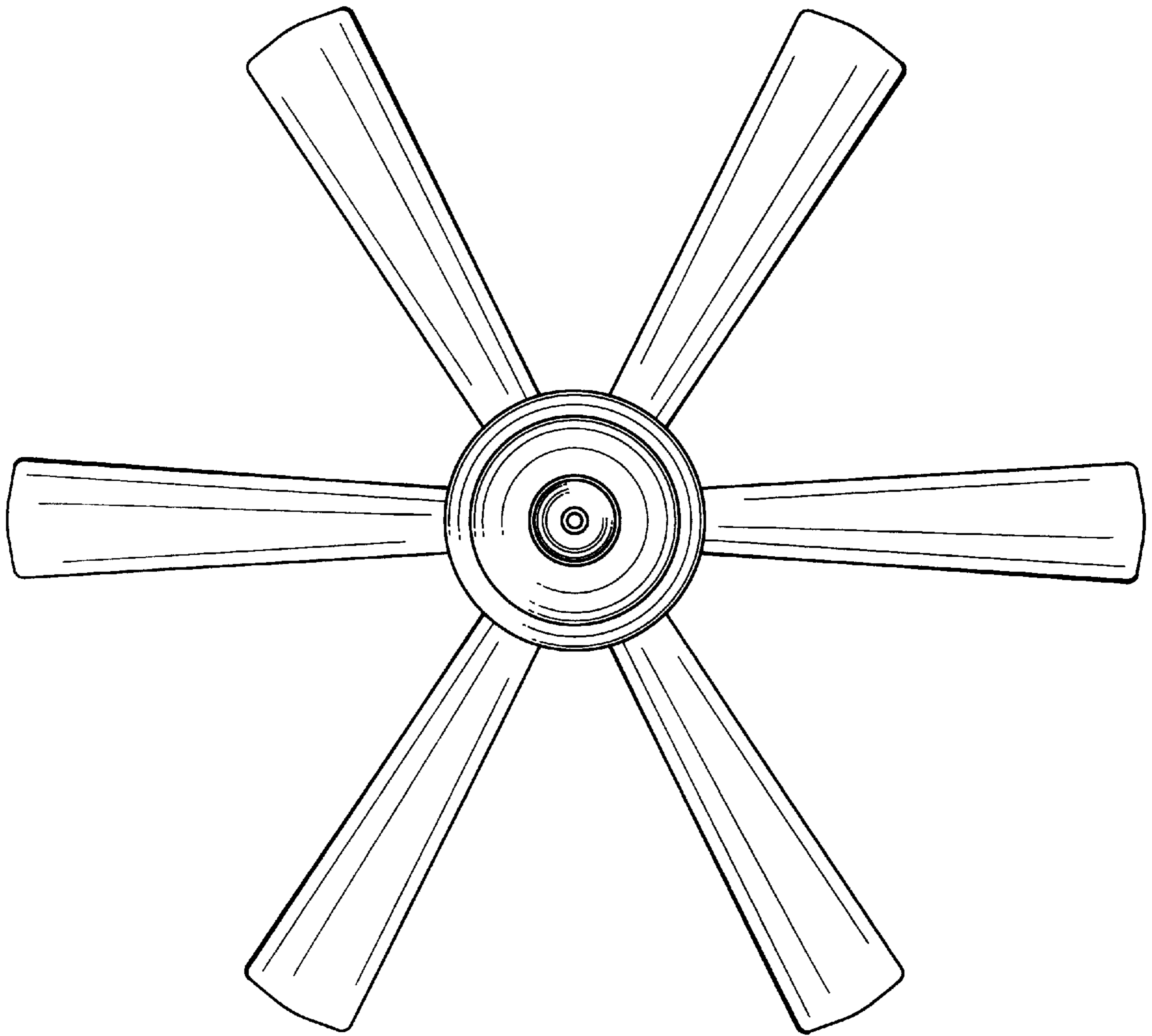


FIG. 4