



US00D434842S

# United States Patent [19]

Thomas et al.

[11] Patent Number: **Des. 434,842**

[45] Date of Patent: **\*\* Dec. 5, 2000**

[54] **AROMA, LIGHT AND SOUND CLOCK**

D. 426,628 6/2000 Wu ..... D23/366

[75] Inventors: **Paul B. Thomas**, San Pedro; **Robert D. Leventhal**, Los Angeles, both of Calif.

*Primary Examiner*—Lisa Lichtenstein  
*Attorney, Agent, or Firm*—Thomas I. Rozsa; Tony D. Chen; Jerry Fong

[73] Assignee: **D2RM Corp.**, Los Angeles, Calif.

[\*\*] Term: **14 Years**

### [57] CLAIM

[21] Appl. No.: **29/115,999**

The ornamental design for an aroma, light and sound clock, as shown and described.

[22] Filed: **Dec. 22, 1999**

### DESCRIPTION

[51] **LOC (7) Cl.** ..... **23-04**

FIG. 1 is a perspective view of the aroma, light and sound clock, showing our new design;  
FIG. 2 is a front elevational view;  
FIG. 3 is a rear elevational view;  
FIG. 4 is a top plan view;  
FIG. 5 is a bottom plan view; and,  
FIG. 6 is a right side elevational view, the other side being identical.

[52] **U.S. Cl.** ..... **D23/366**

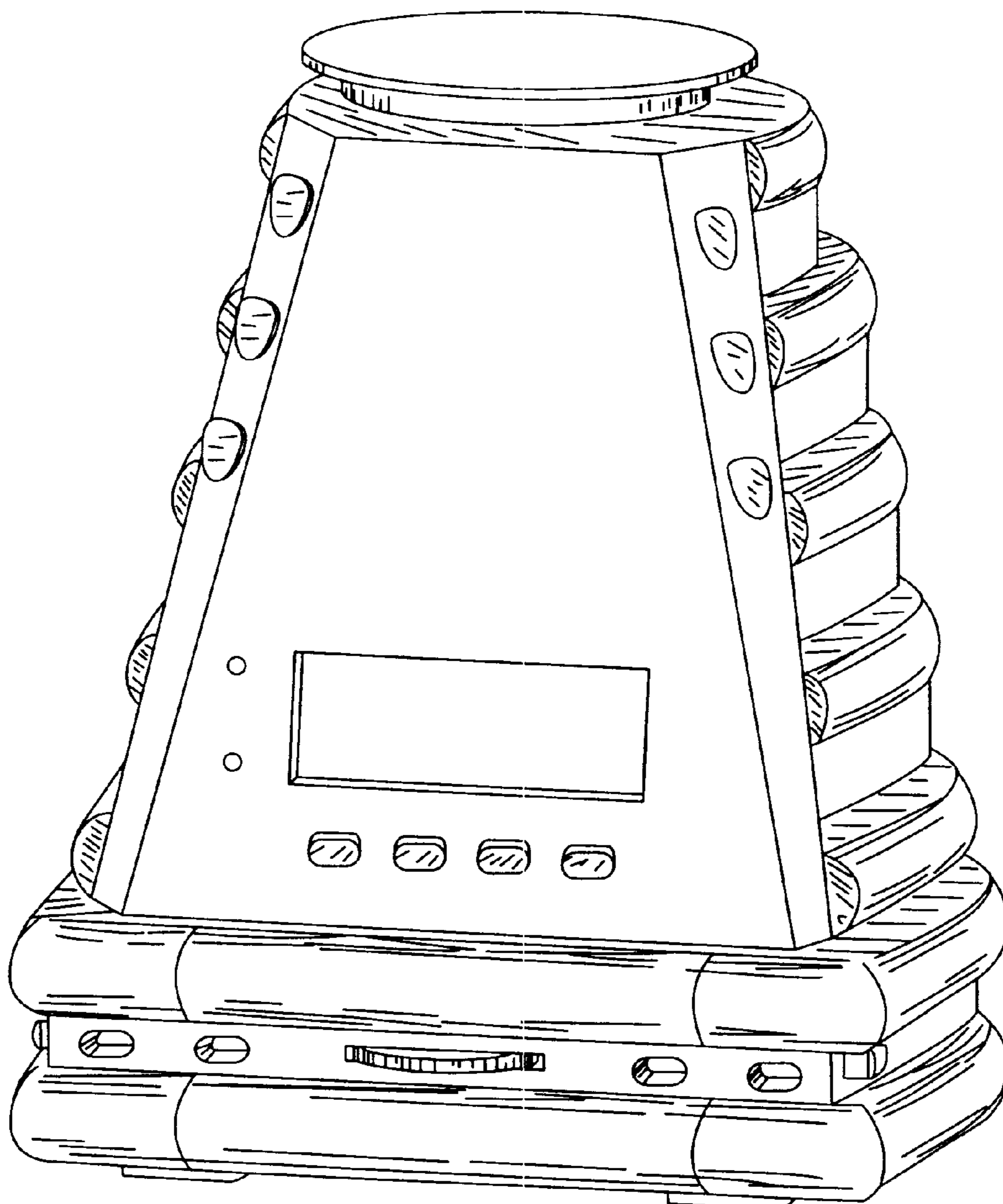
[58] **Field of Search** ..... D23/366-369;  
D10/2; 239/60, 58, 55; 261/DIG. 65; D26/94

### [56] References Cited

#### U.S. PATENT DOCUMENTS

- D. 304,161 10/1989 Nomizu ..... D10/2
- D. 419,891 2/2000 Chan ..... D10/2

**1 Claim, 4 Drawing Sheets**



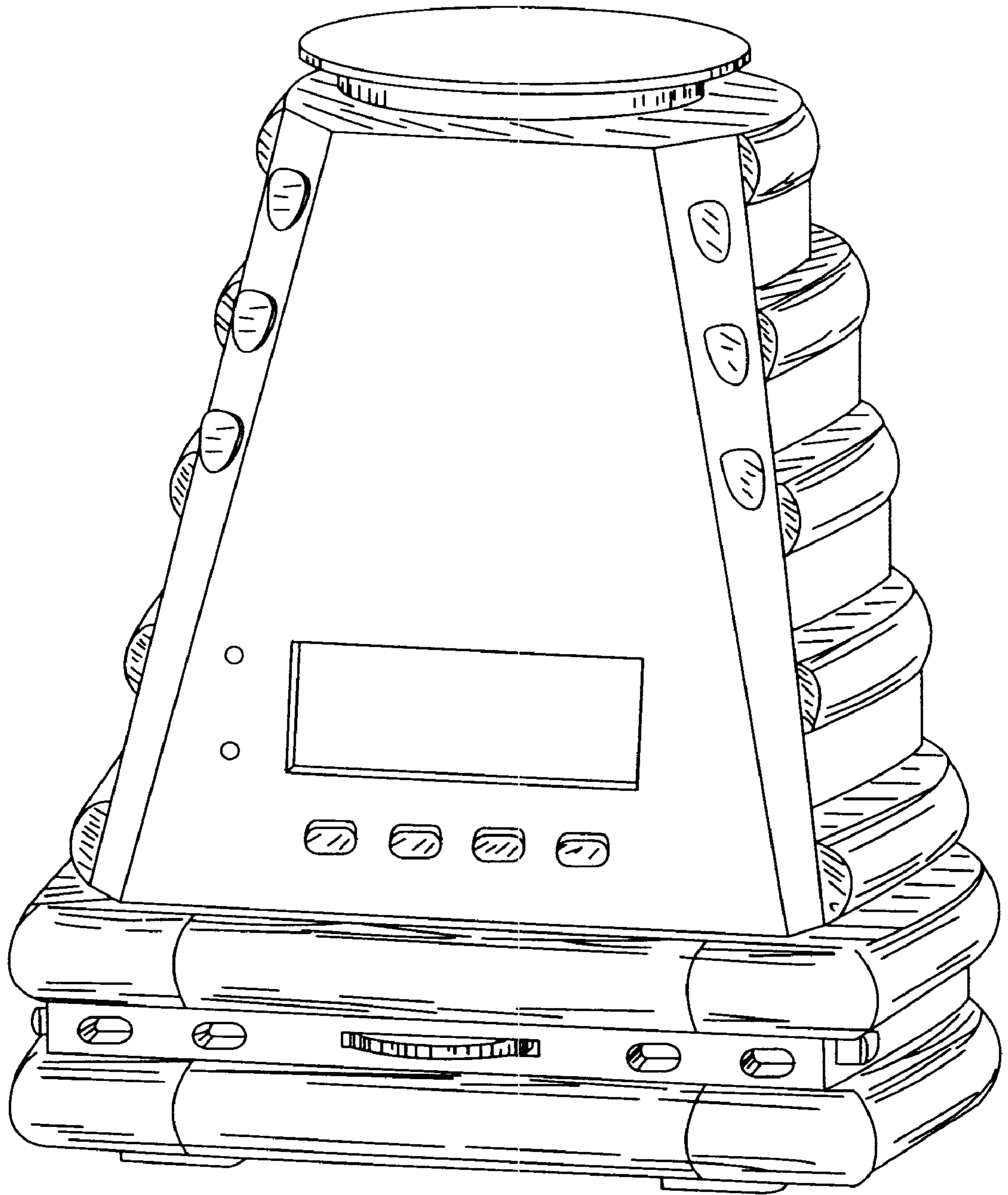


FIG. 1

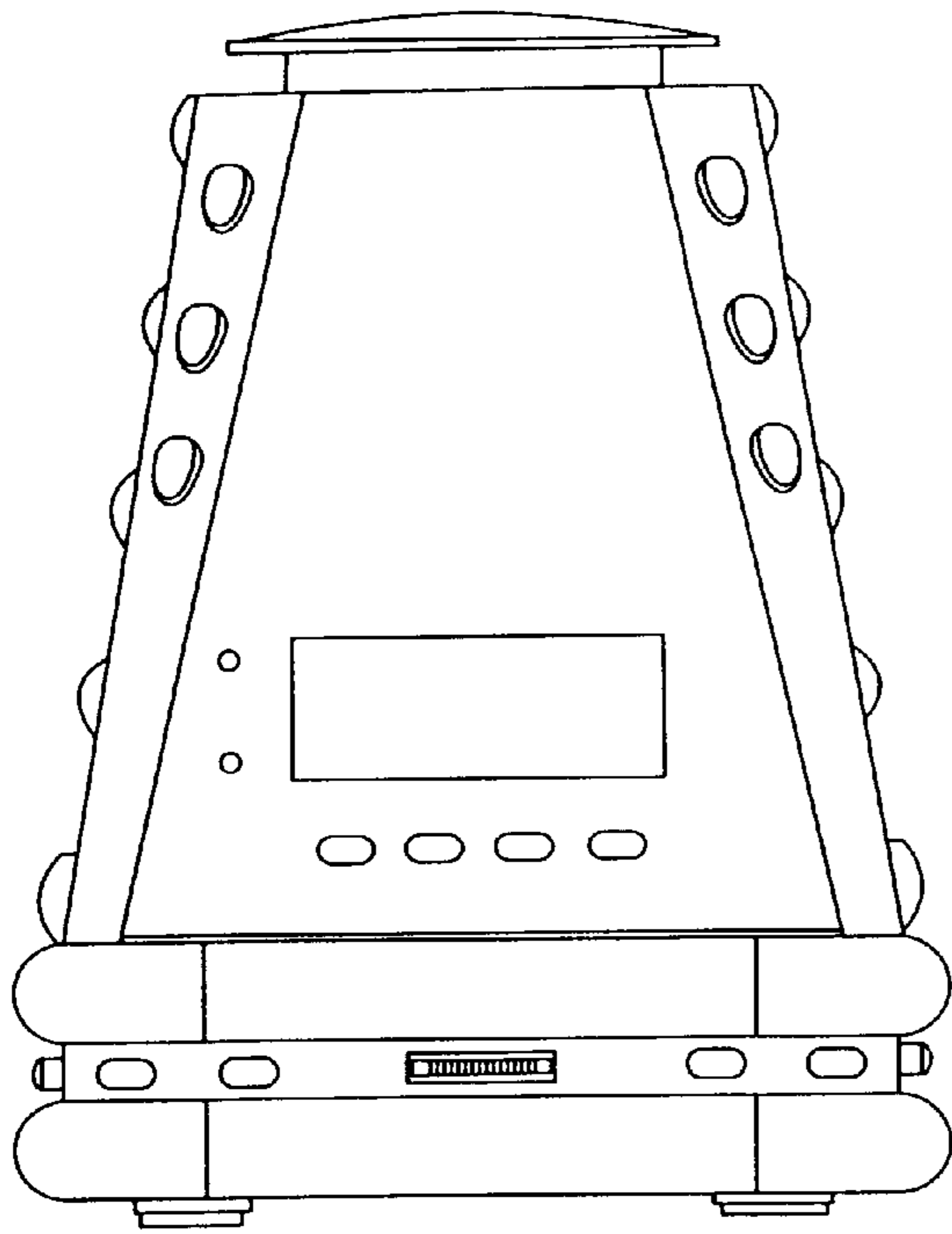
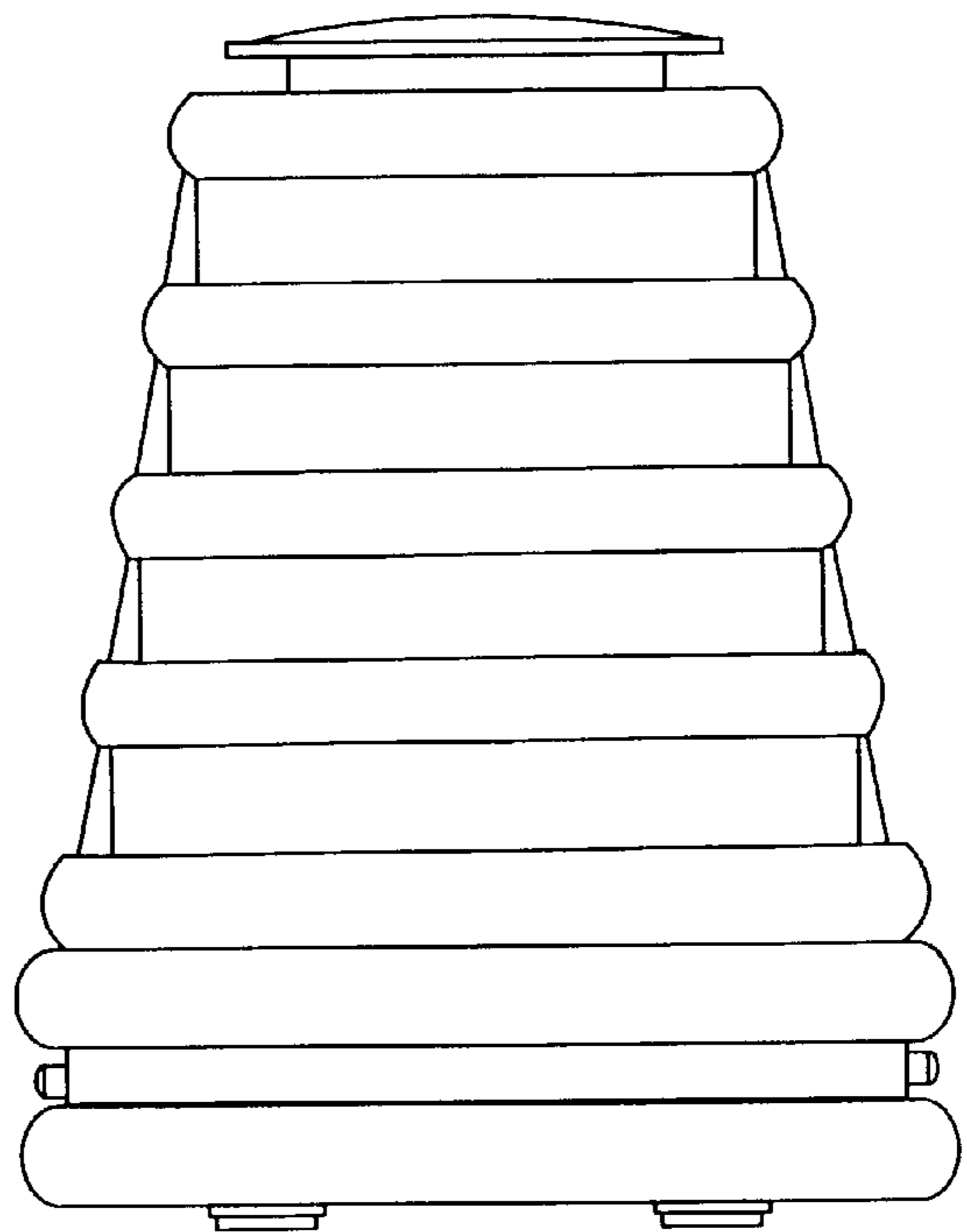


FIG.2

FIG.3



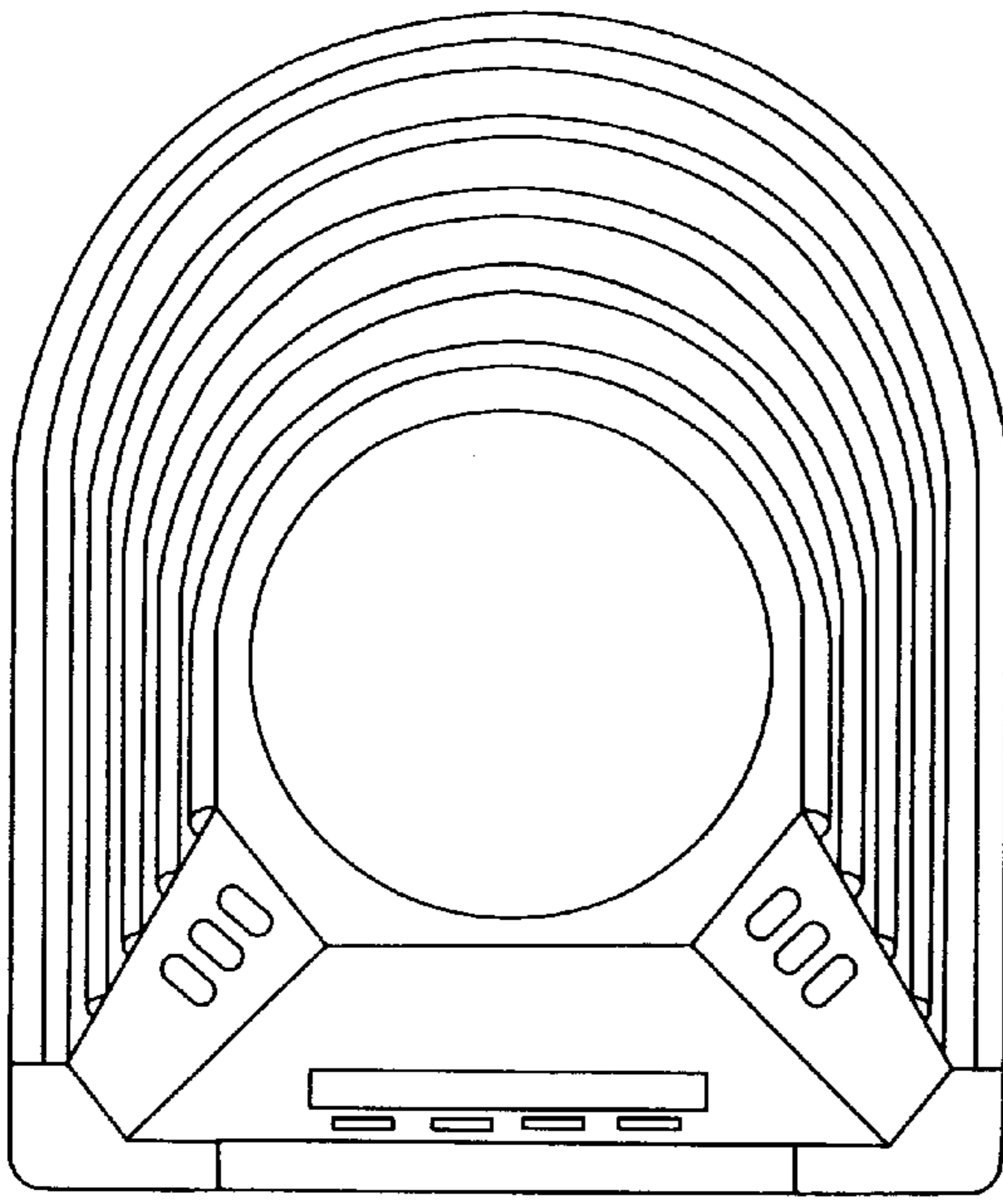
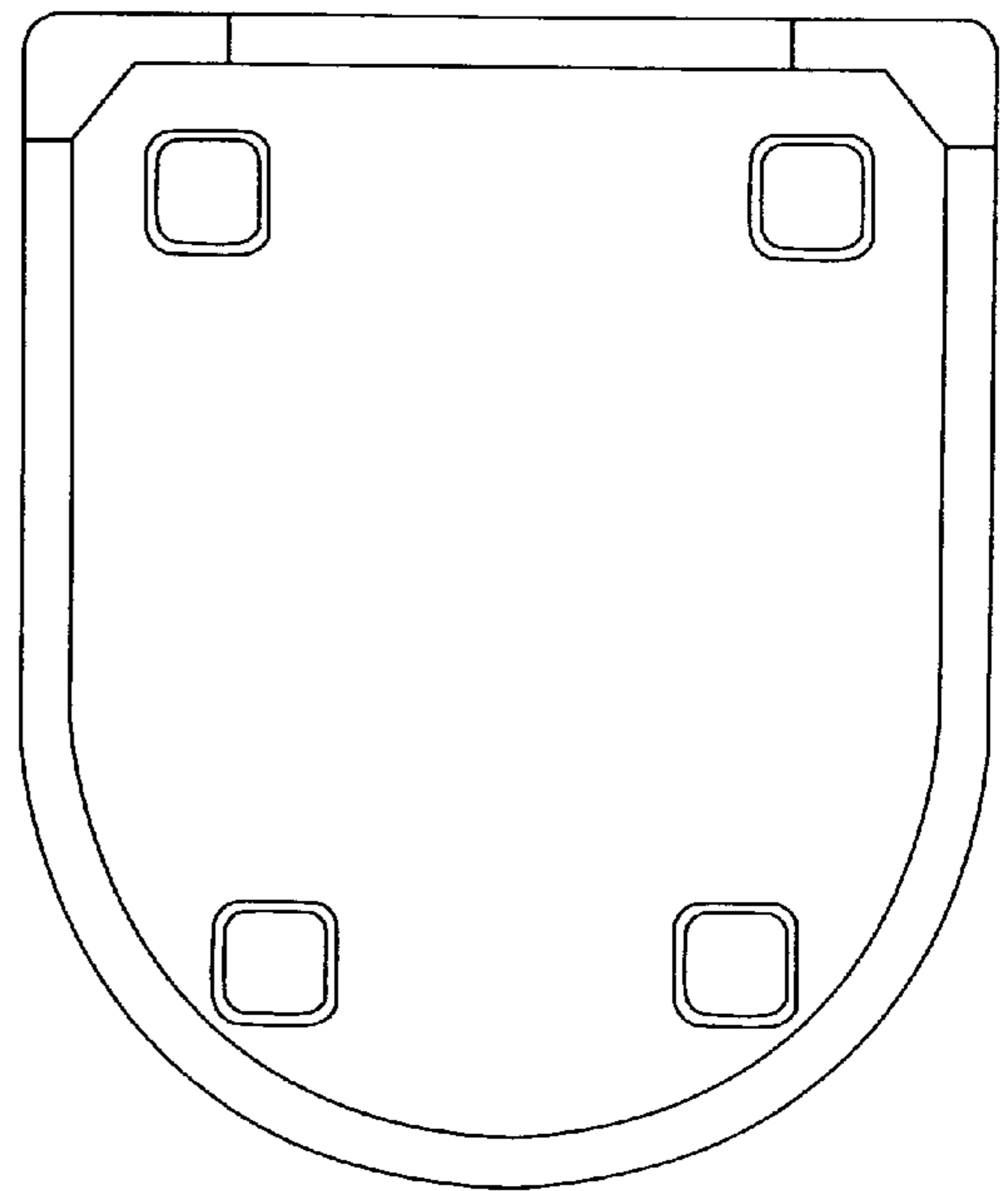


FIG. 4

FIG. 5



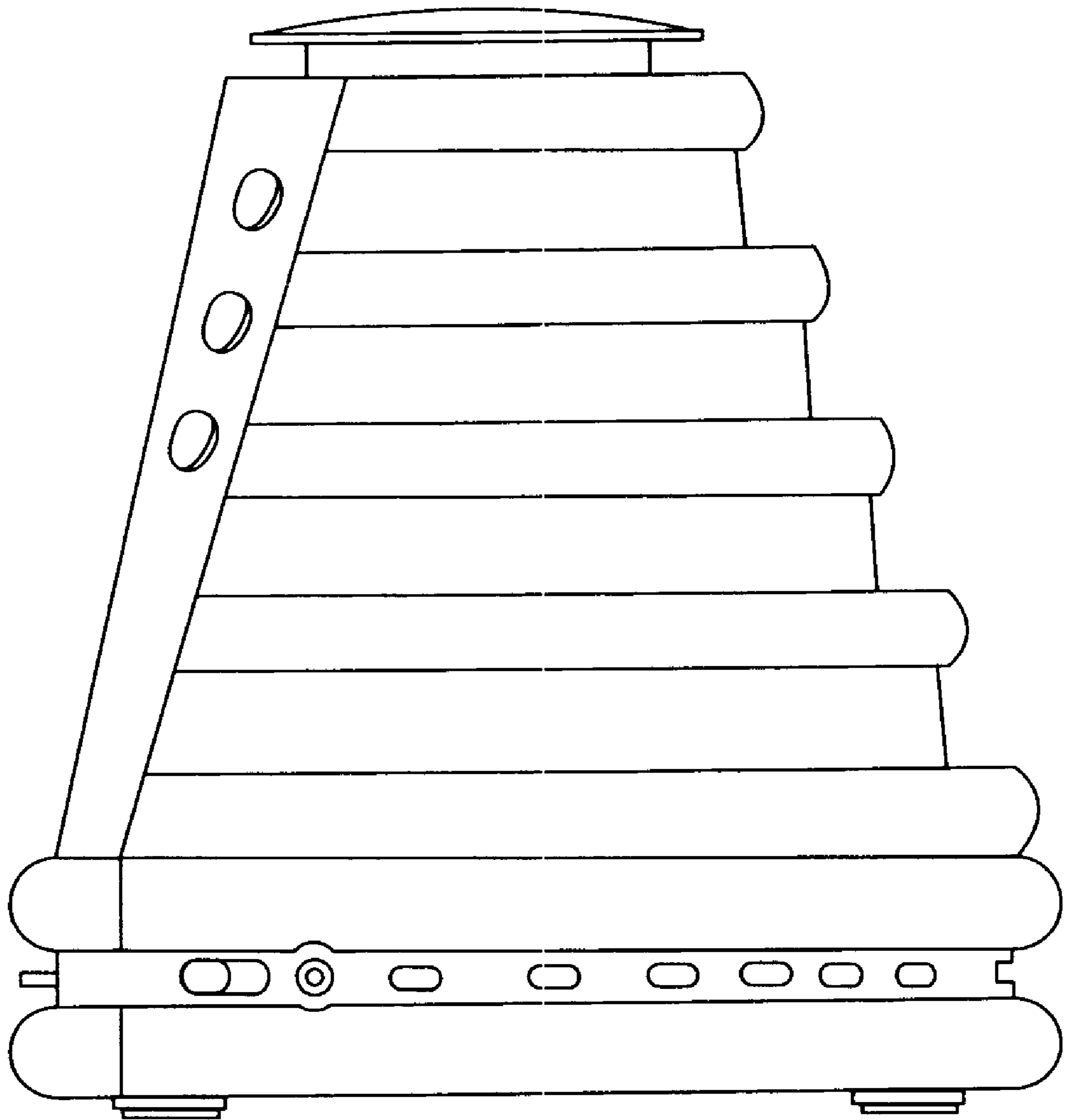


FIG. 6