



US00D434841S

United States Patent [19]

[11] **Patent Number: Des. 434,841**

Lozzio et al.

[45] **Date of Patent: ** Dec. 5, 2000**

[54] **AIR CLEANER**

Primary Examiner—Lisa Lichtenstein
Attorney, Agent, or Firm—Robert B. Leonard

[75] Inventors: **Chris Lozzio**, Medway; **Duane L. Gilbert, Jr.**, Hopedale, both of Mass.; **Stephen M. Gatchell**, Warwick, R.I.; **Steffen F. Koury**, Newton; **Marc Drucker**, Brighton, both of Mass.

[57] **CLAIM**
The ornamental design for an air cleaner, as shown.

[73] Assignee: **Honeywell International Inc.**,
Morristown, N.J.

DESCRIPTION

[**] Term: **14 Years**

FIG. 1 is a front perspective view of an air cleaner showing our design.

[21] Appl. No.: **29/116,949**

FIG. 2 is a front elevational view of the air cleaner shown in FIG. 1.

[22] Filed: **Jan. 13, 2000**

FIG. 3 is a rear elevational view of the air cleaner shown in FIG. 1.

[51] **LOC (7) Cl.** **23-04**

[52] **U.S. Cl.** **D23/364**

[58] **Field of Search** D23/364, 365,
D23/370, 381, 382, 335, 336; 422/122;
96/97, 96, 224, 16

FIG. 4 is a left side elevational view of the air cleaner shown in FIG. 1.

FIG. 5 is a right side elevational view of the air cleaner shown in FIG. 1; and,

FIG. 6 is a top plan view of the air cleaner shown in FIG. 1.

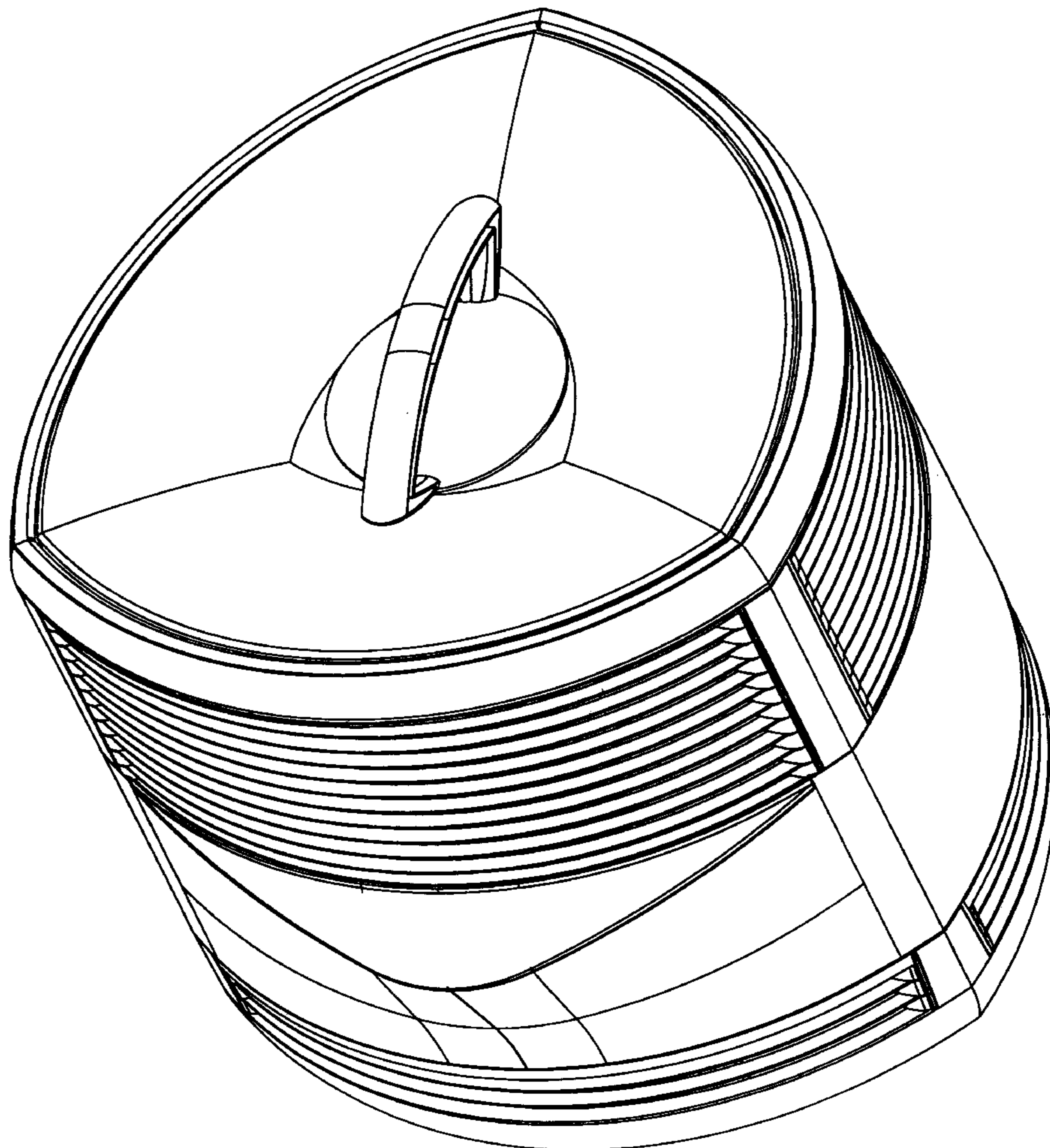
The surface(s) or portion(s) of the article not shown in the drawing or described in the specification form(s) no part of the claimed design.

[56] **References Cited**

U.S. PATENT DOCUMENTS

D. 423,659 4/2000 Schippanoski D23/364

1 Claim, 6 Drawing Sheets



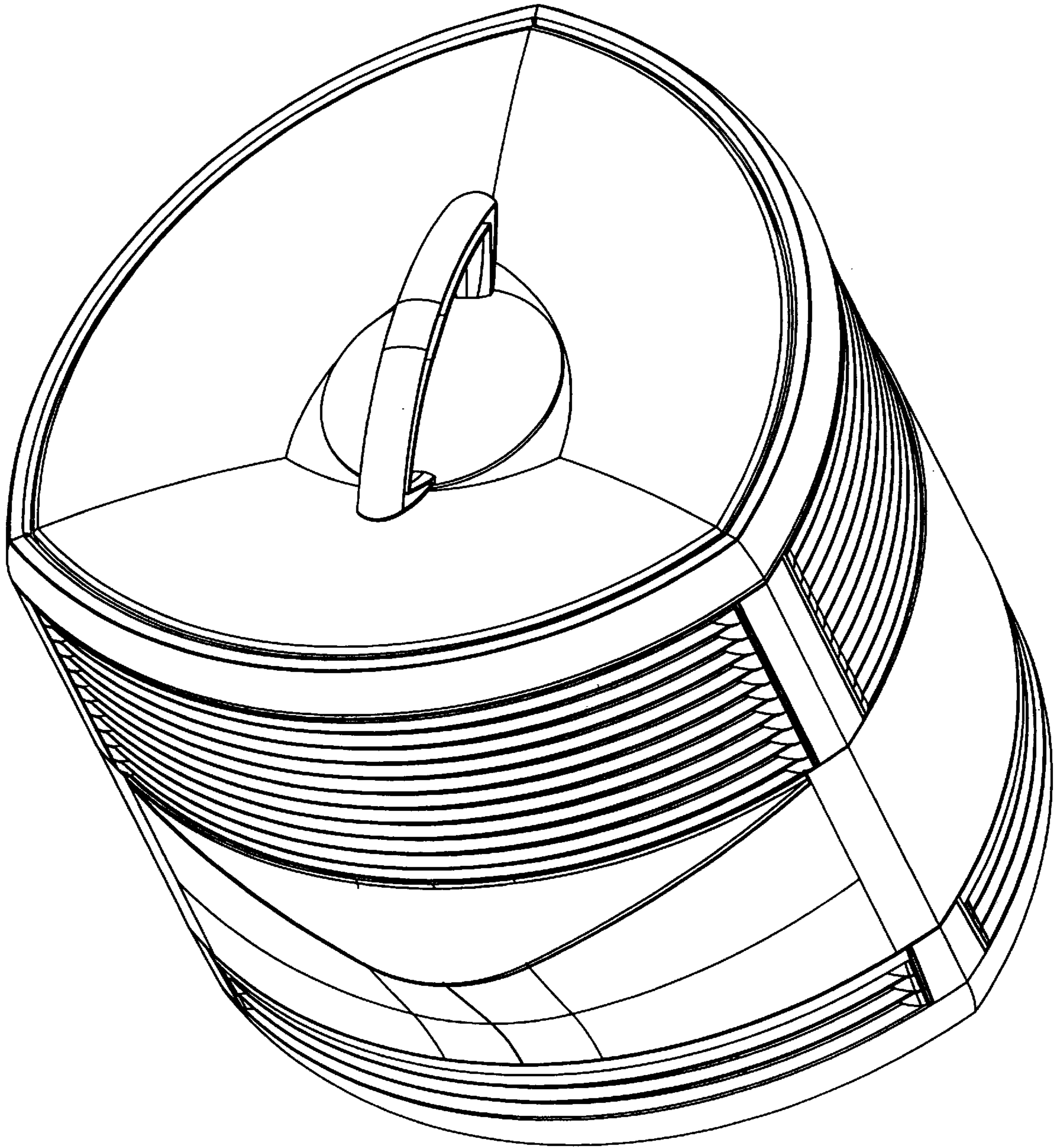


FIGURE 1

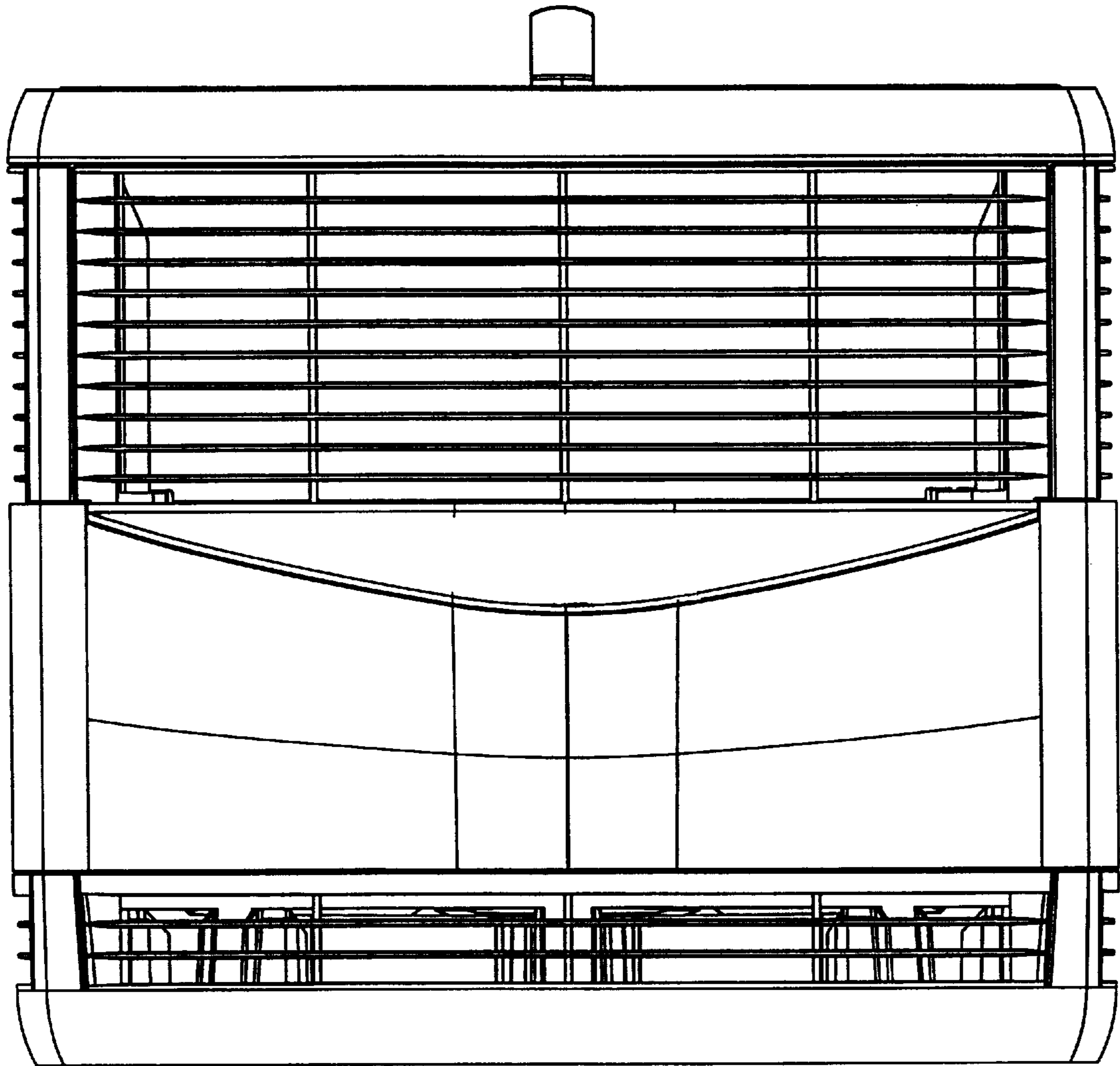


FIGURE 2

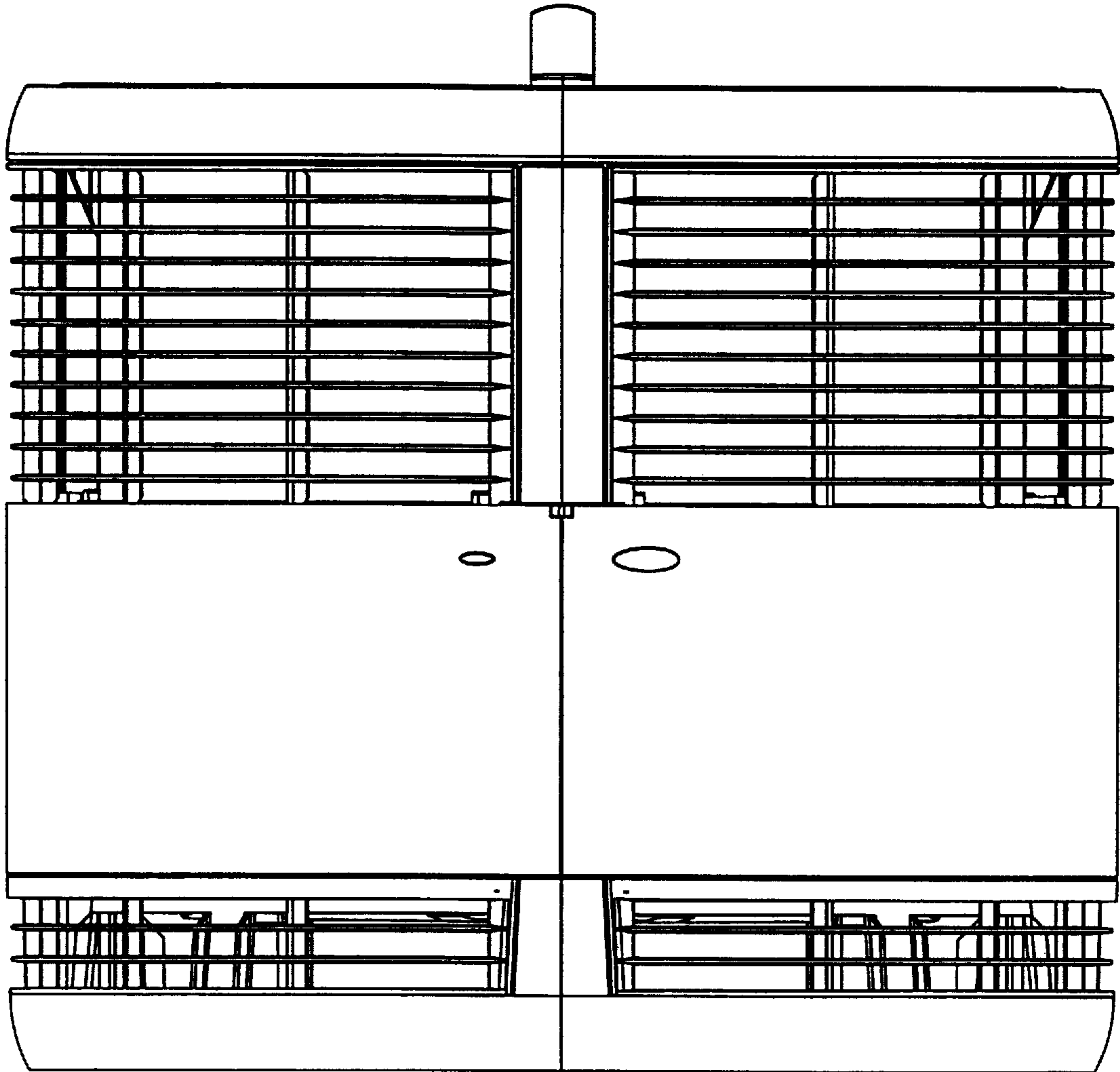


FIGURE 3

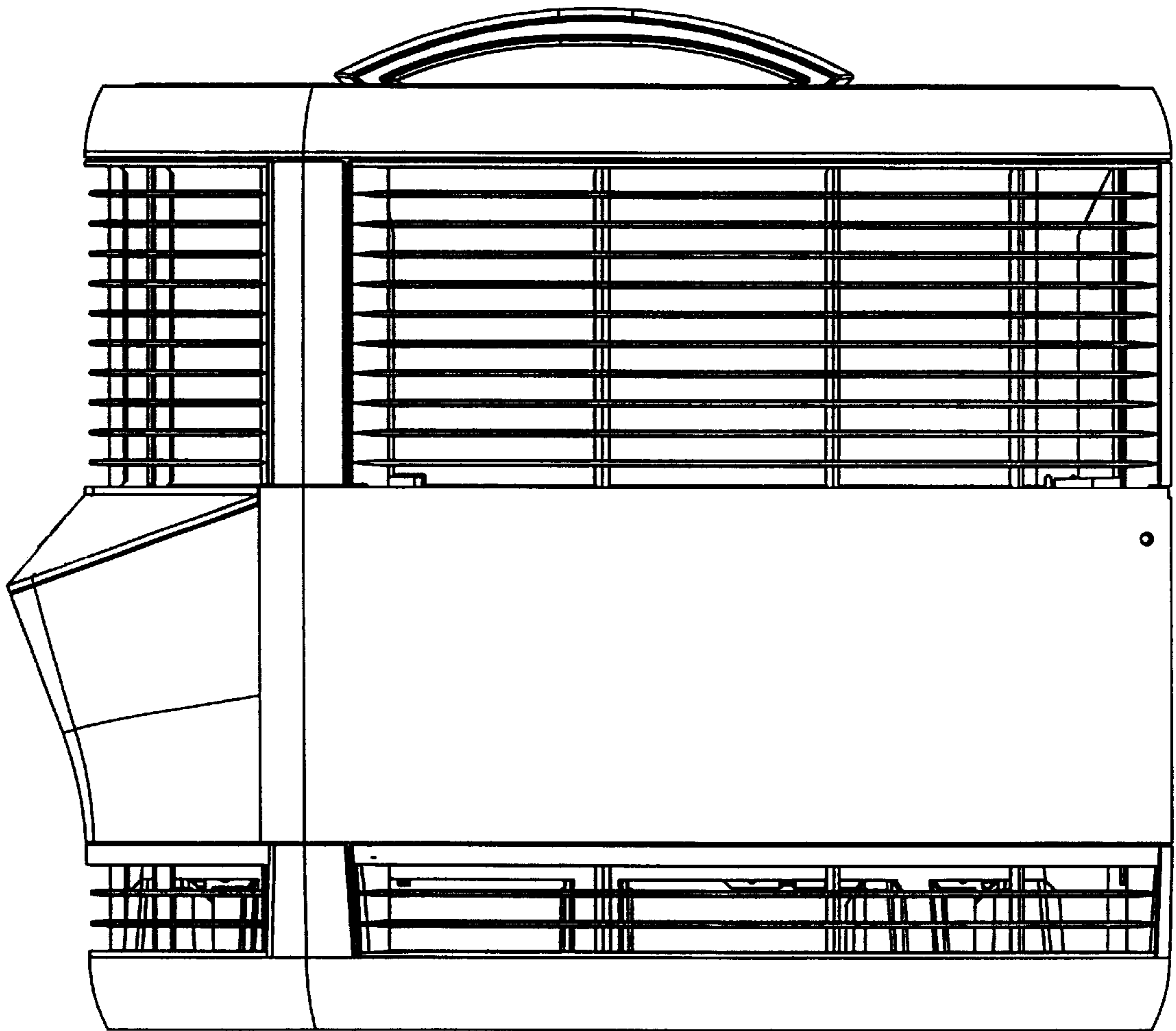


FIGURE 4

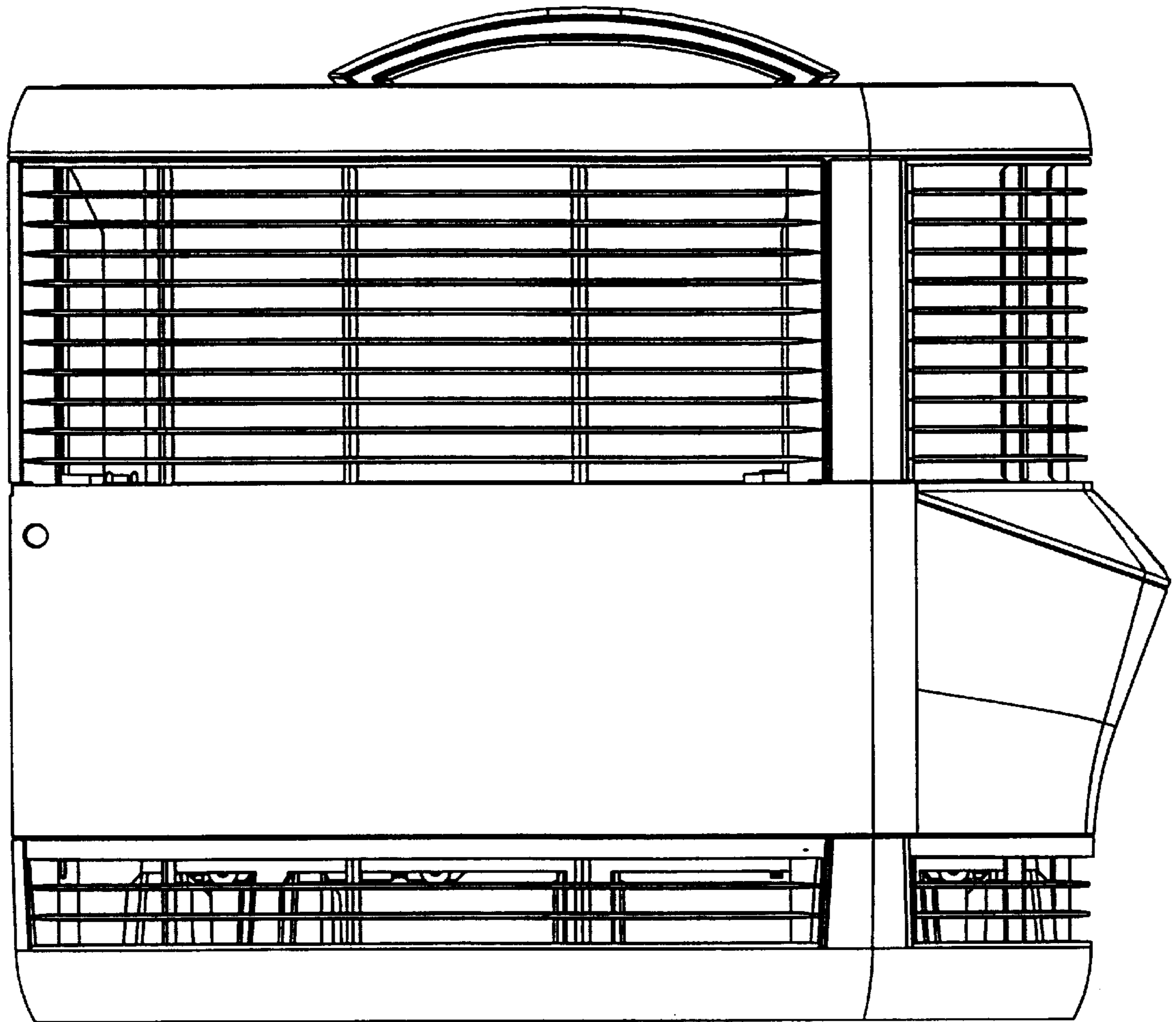


FIGURE 5

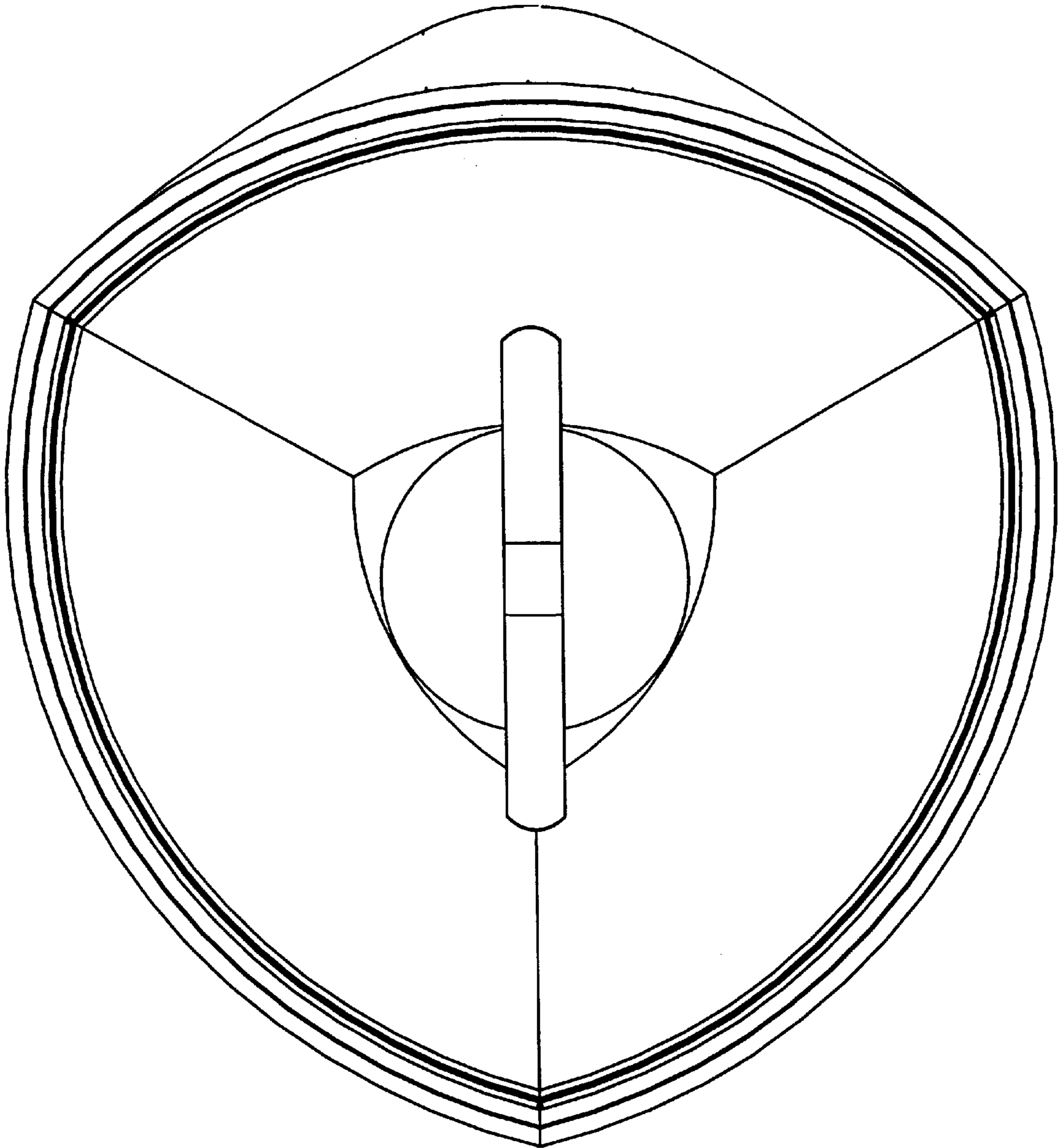


FIGURE 6