



US00D434837S

United States Patent [19] Thomas

[11] **Patent Number: Des. 434,837**

[45] **Date of Patent: ** Dec. 5, 2000**

[54] **TUB FOR BATHING**

[75] Inventor: **Carter J. Thomas**, Cedarburg, Wis.

[73] Assignee: **Kohler Co.**, Kohler, Wis.

[**] Term: **14 Years**

[21] Appl. No.: **29/121,451**

[22] Filed: **Apr. 6, 2000**

[51] **LOC (7) Cl.** **23-02**

[52] **U.S. Cl.** **D23/277**

[58] **Field of Search** D23/277; 4/538,
4/539, 584

[56] **References Cited**

U.S. PATENT DOCUMENTS

D. 399,305 10/1998 Smith et al. D23/277

OTHER PUBLICATIONS

1983 Waterjet catalog ad showing a "Concorde" whirlpool bath.

1986 Kohler catalog ad, p. 7-14, showing a "Greek" whirlpool bath.

Undated Kohler catalog ad showing a "Riverbath" whirlpool bath.

Primary Examiner—Doris Clark

Attorney, Agent, or Firm—Quarles & Brady LLP

[57] **CLAIM**

The ornamental design for a tub for bathing, as shown and described.

DESCRIPTION

In a preferred embodiment, the nature of this product is as a plumbing fixture primarily useful for washing the body of humans.

FIG. 1 is a left, top, front perspective view of a tub for bathing embodying my new design;

FIG. 2 is a top plan view thereof;

FIG. 3 is a front elevational view thereof;

FIG. 4 is a left side elevational view thereof;

FIG. 5 is a rear elevational view thereof;

FIG. 6 is a right side elevational view thereof;

FIG. 7 is a bottom plan view thereof;

FIG. 8 is a cross-sectional view thereof taken along line 8—8 of FIG. 2;

FIG. 9 is a top plan view of a second embodiment, the rear elevational view being a mirror image of that shown in FIG. 3, the left side elevational view being a mirror image of that shown in FIG. 4, the front elevational view being a mirror image of that shown in FIG. 5, the right side elevational view being a mirror image of that shown in FIG. 6, and the bottom plan view being a mirror image of that shown in FIG. 7;

FIG. 10 is a left, top, front perspective view of a third embodiment;

FIG. 11 is a top plan view thereof;

FIG. 12 is a front elevational view thereof;

FIG. 13 is a left side elevational view thereof;

FIG. 14 is a rear elevational view thereof;

FIG. 15 is a right side elevational view thereof;

FIG. 16 is a bottom plan view thereof;

FIG. 17 is a cross-sectional view thereof taken along line 17—17 of FIG. 11; and,

FIG. 18 is a top plan view of a fourth embodiment, the rear elevational view being a mirror image of that shown in FIG. 12, the left side elevational view being a mirror image of that shown in FIG. 13, the front side elevational view being a mirror image of that shown in FIG. 14, the right side elevational view being a mirror image of that shown in FIG. 15, and the bottom plan view being a mirror image of that shown in FIG. 16.

The broken line representations of holes in FIGS. 1-18, of hardware in FIGS. 3, 5, 6, 7, 12, 14, 15 and 16, and of support structure in FIGS. 3, 5-8, 12, and 14-17, are for the purpose of illustration only, and form no part of the claimed design.

1 Claim, 7 Drawing Sheets

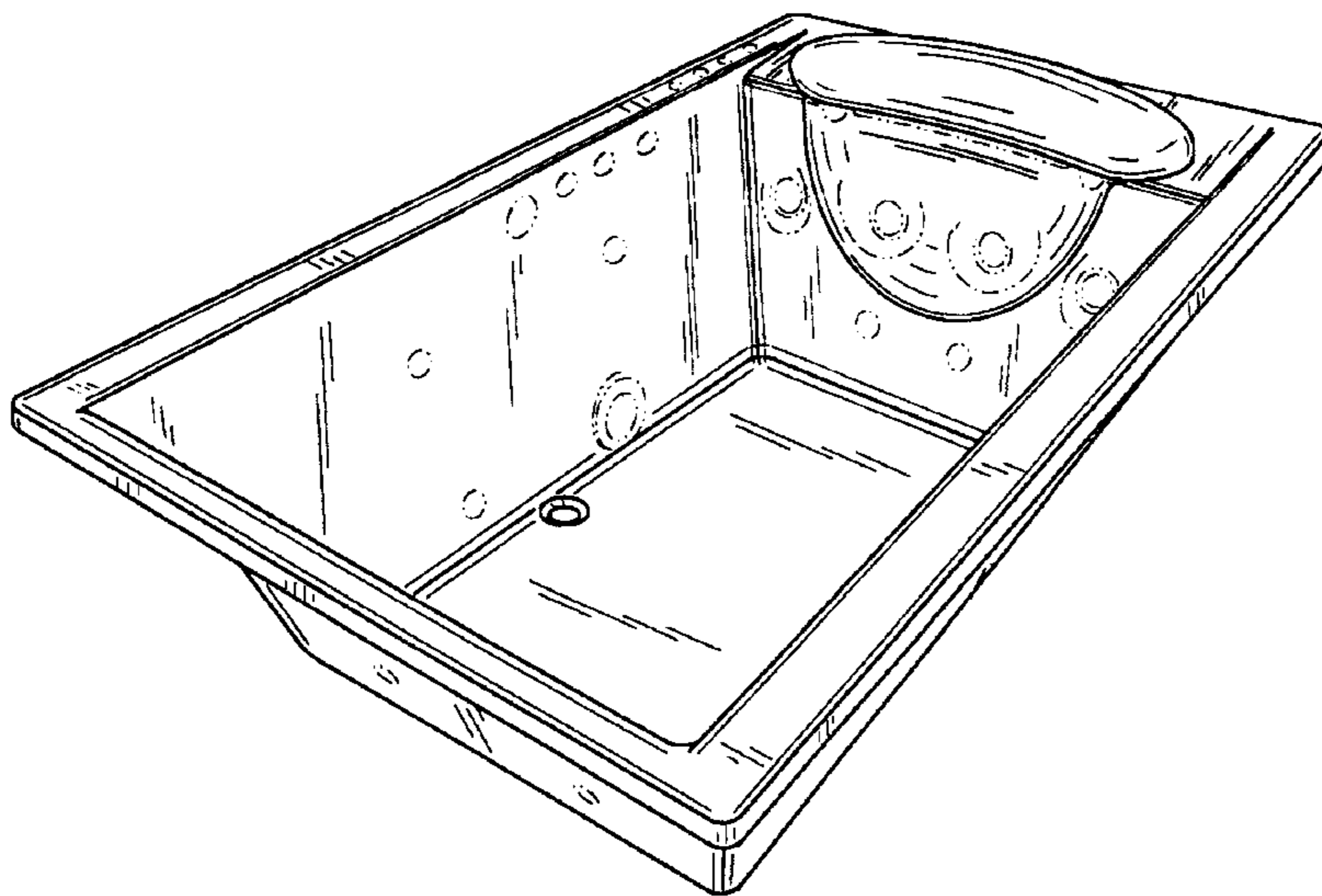


FIG. 1

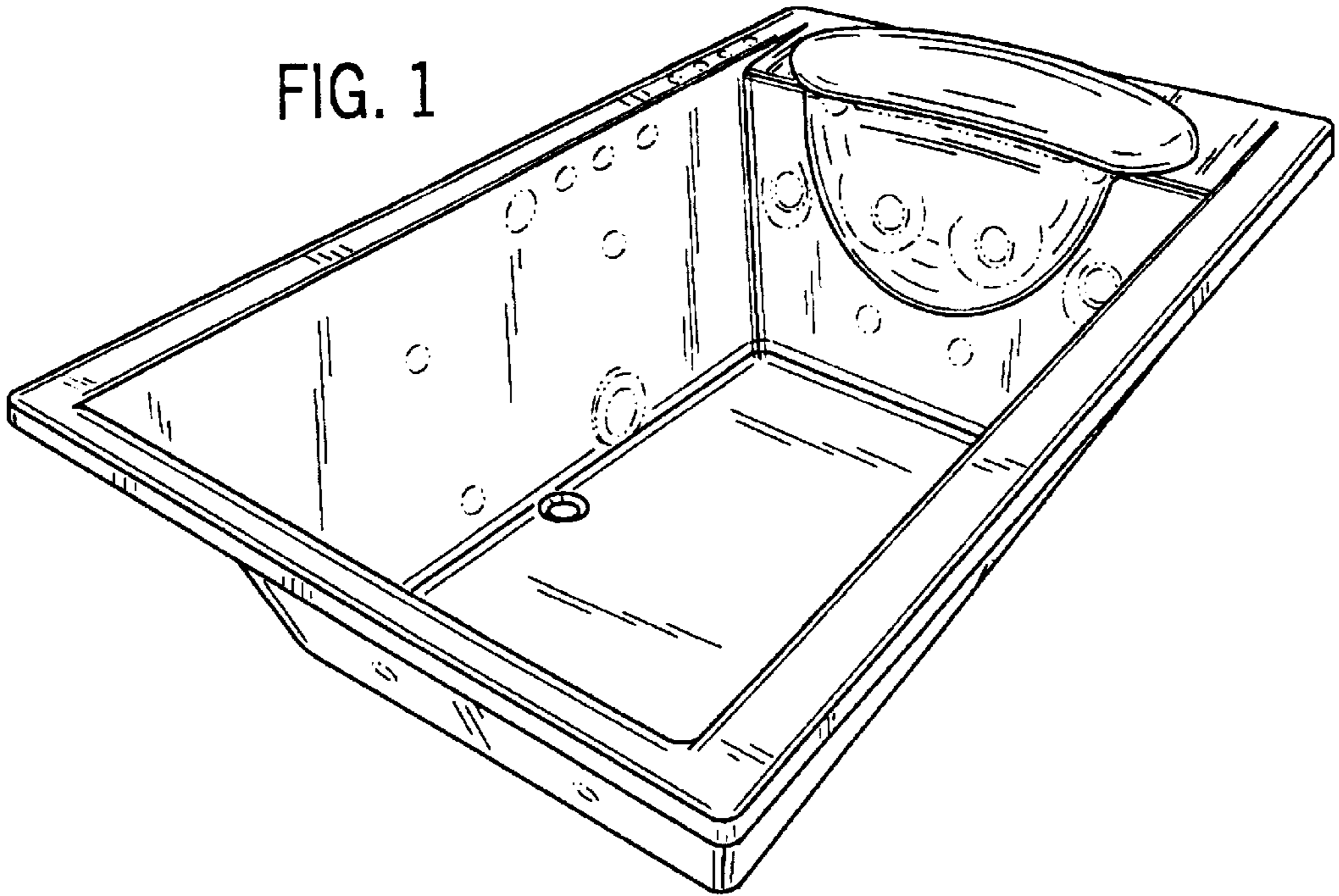


FIG. 2

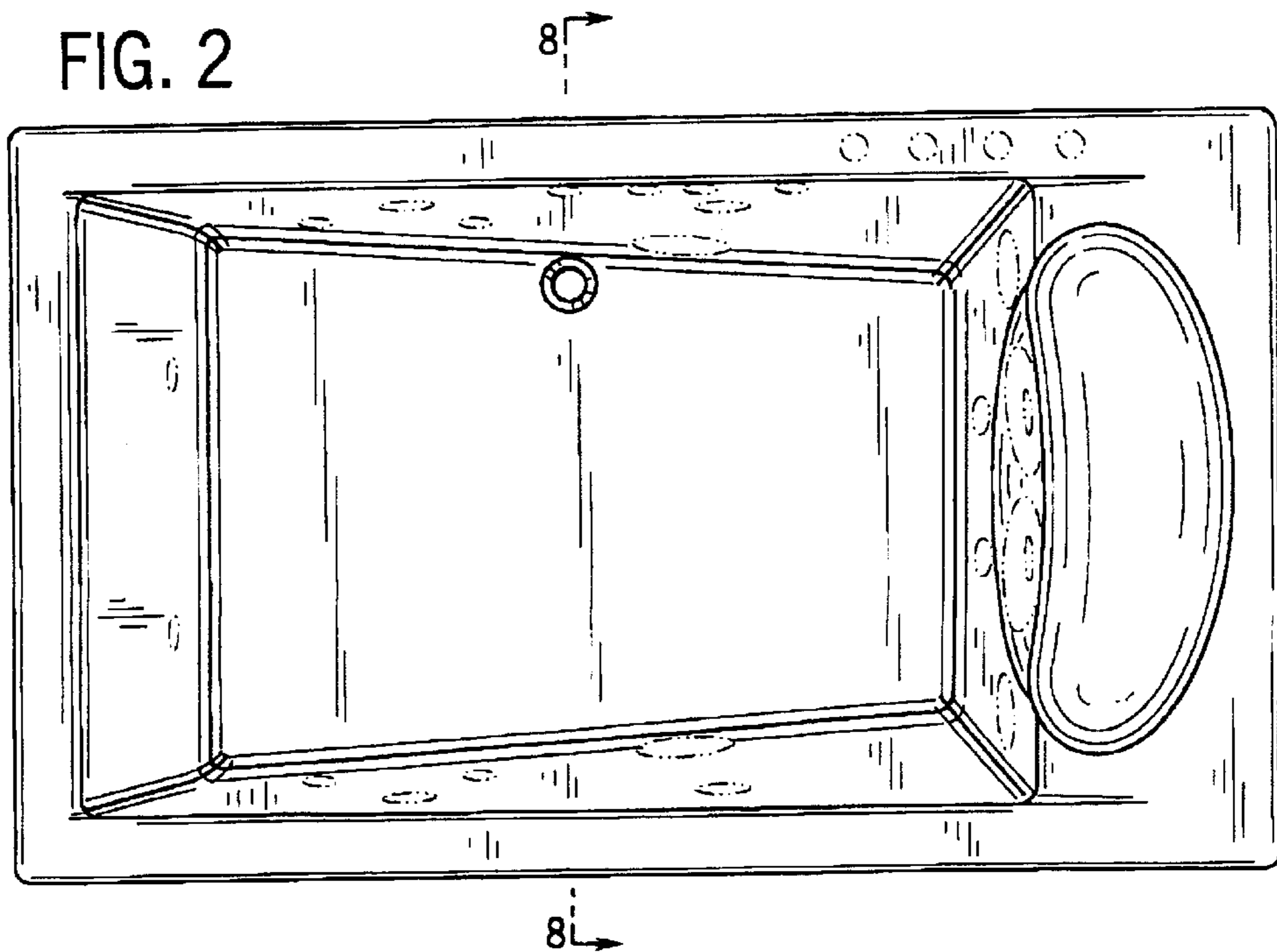


FIG. 3

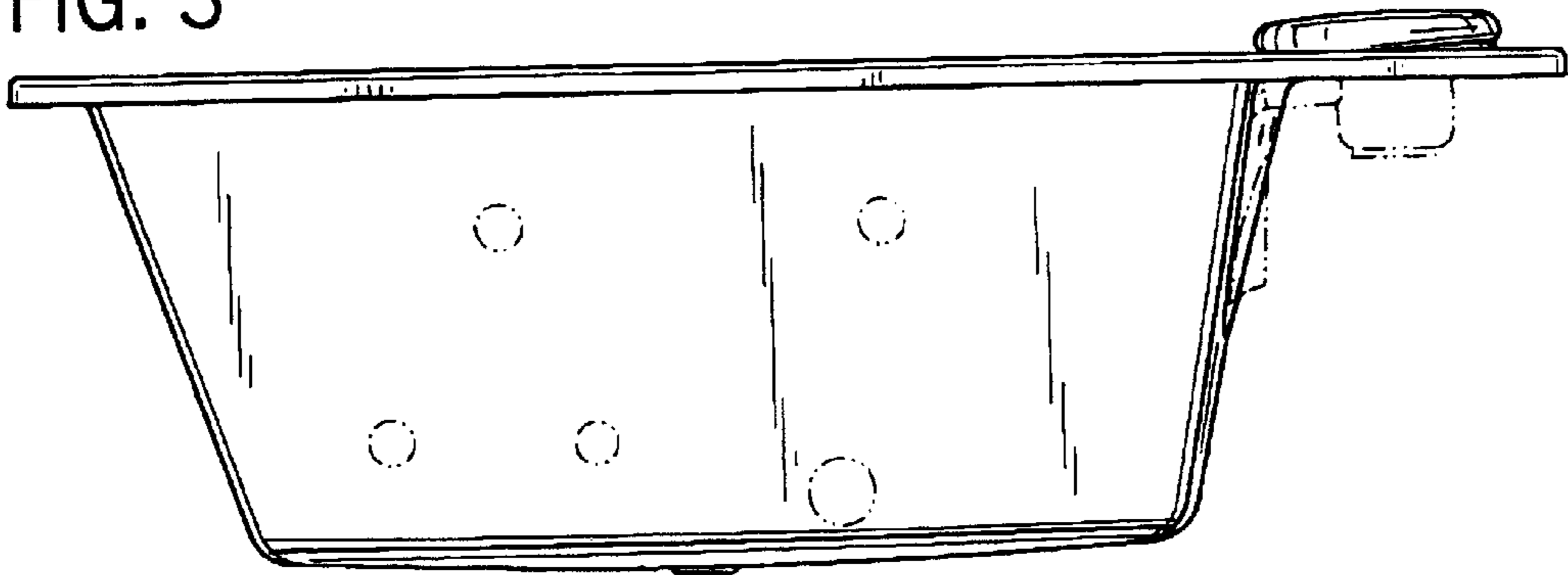


FIG. 4

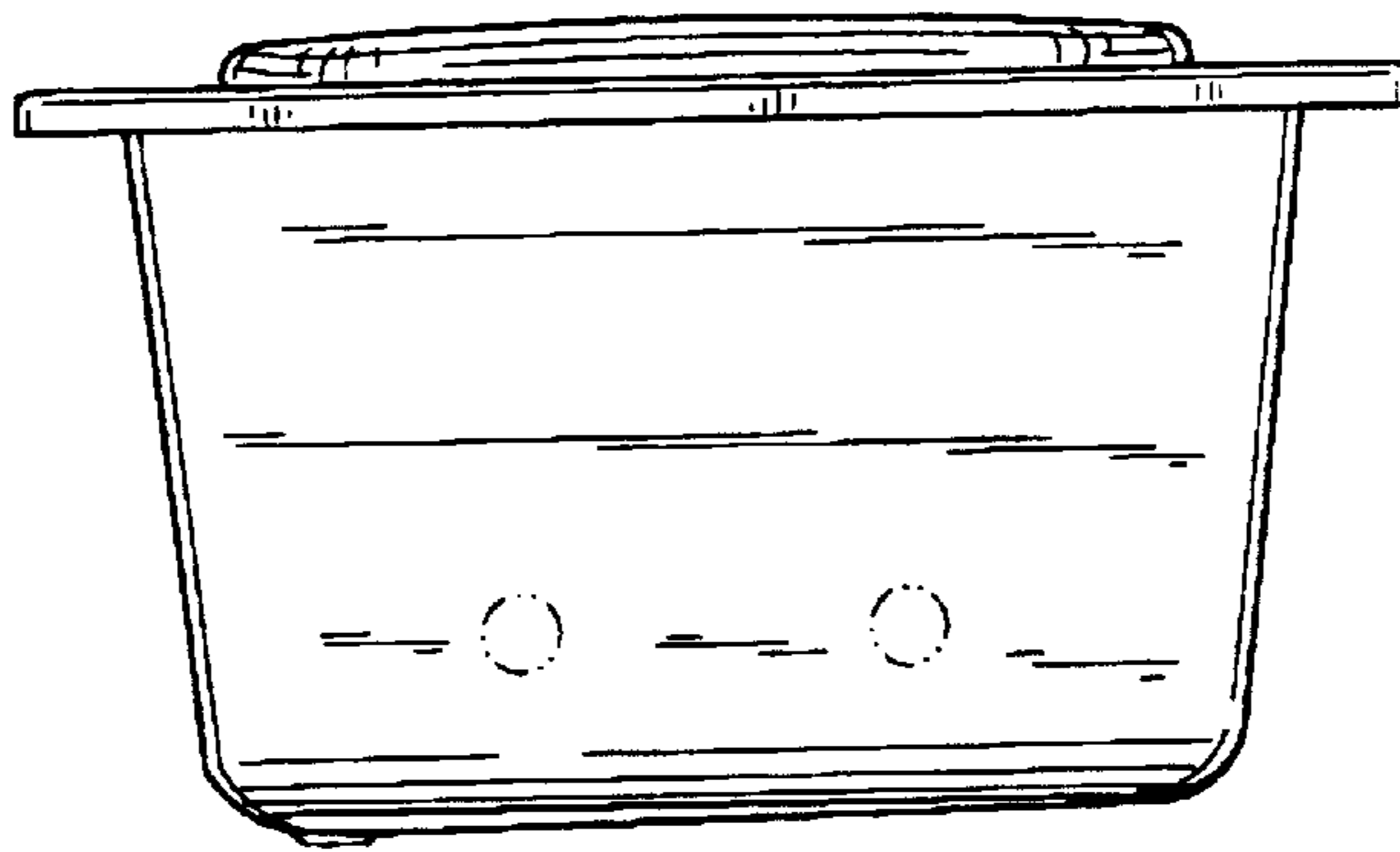


FIG. 5

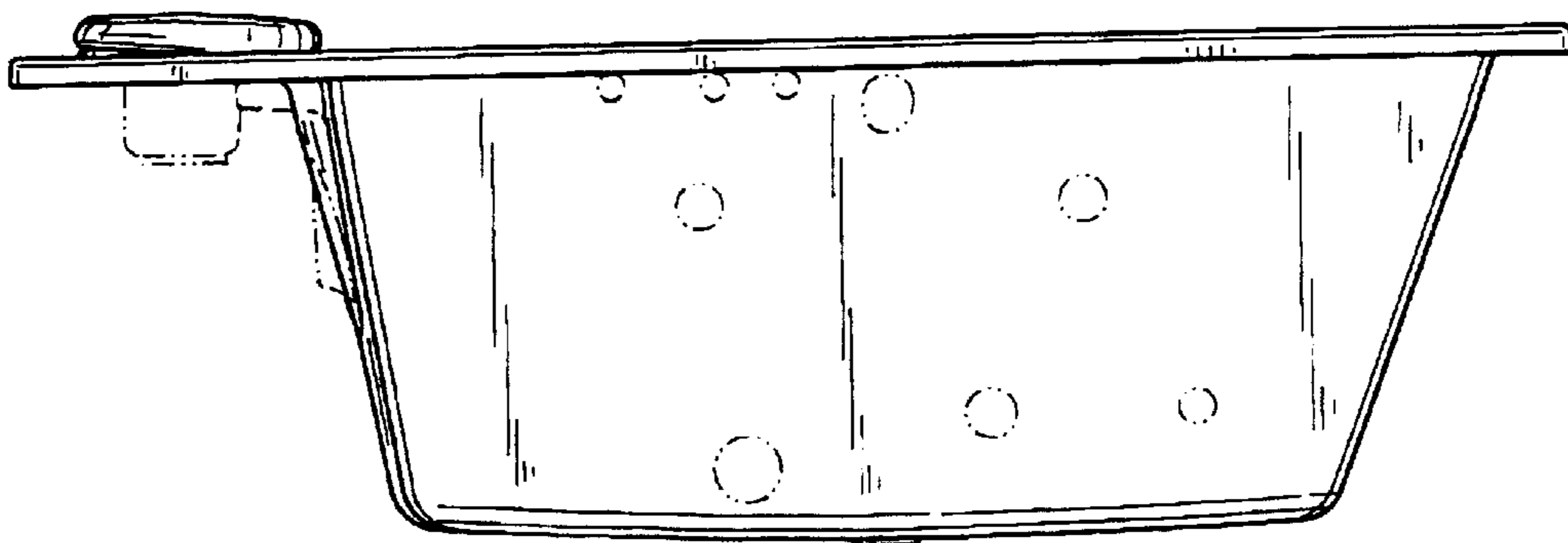


FIG. 6

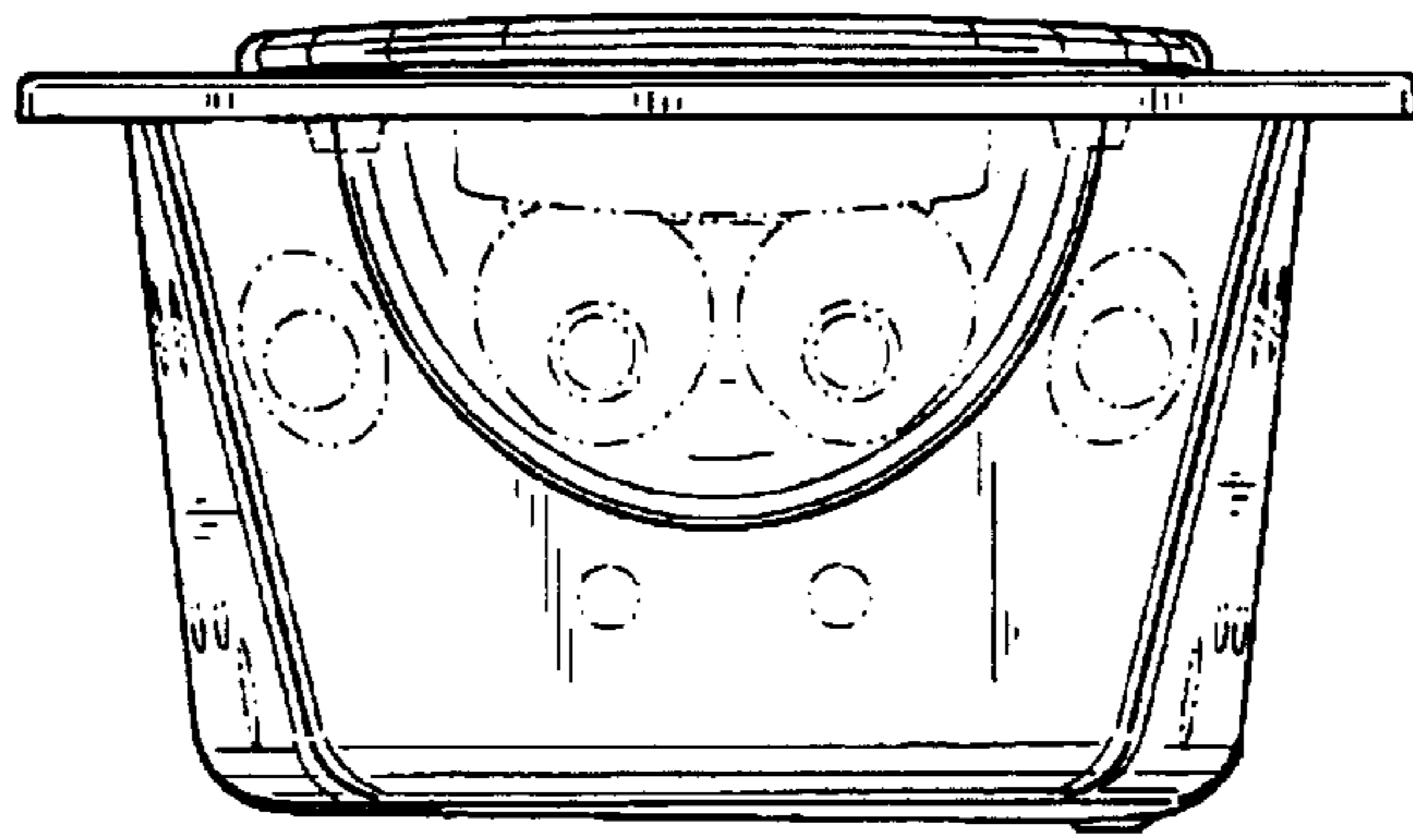


FIG. 7

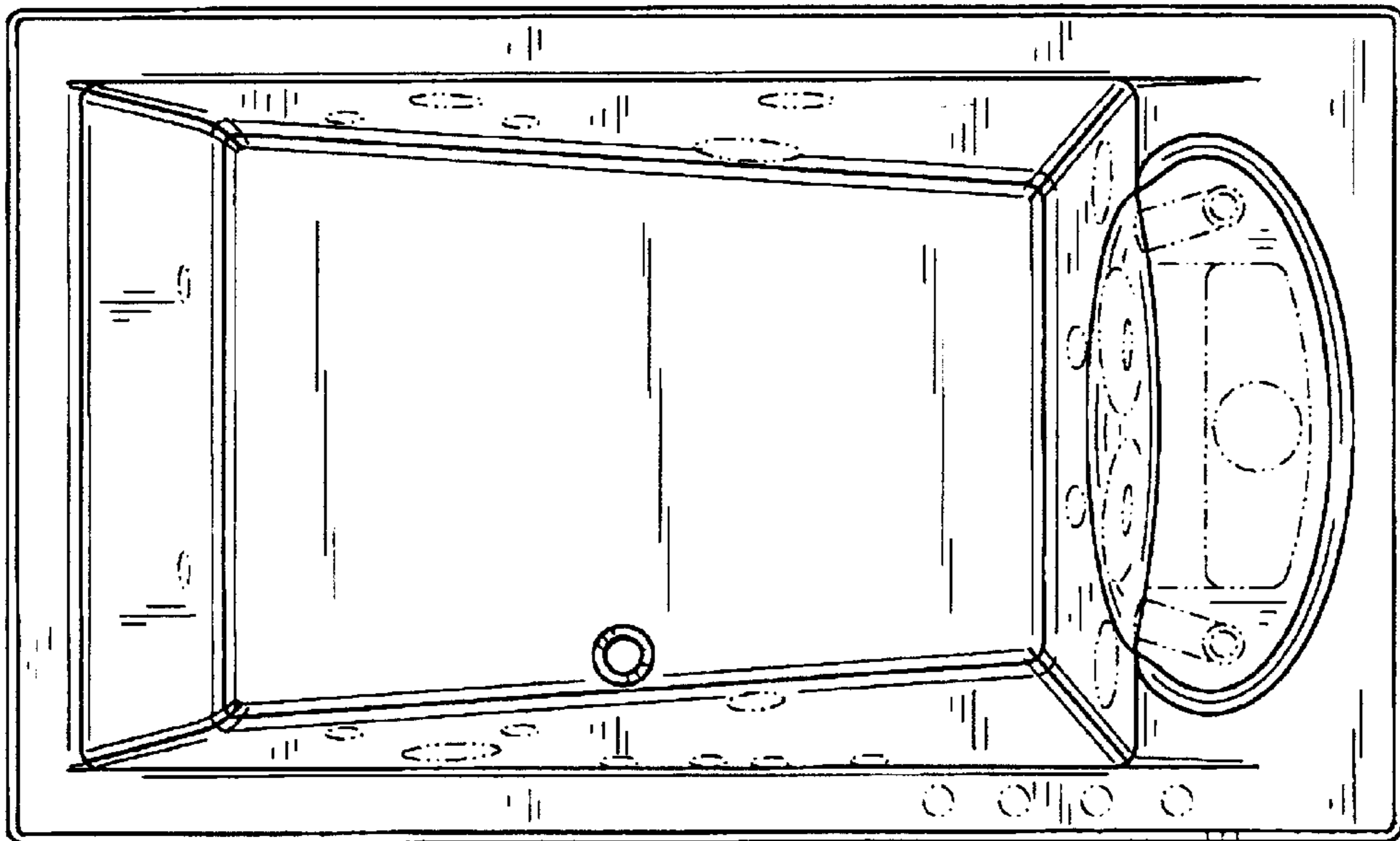


FIG. 8

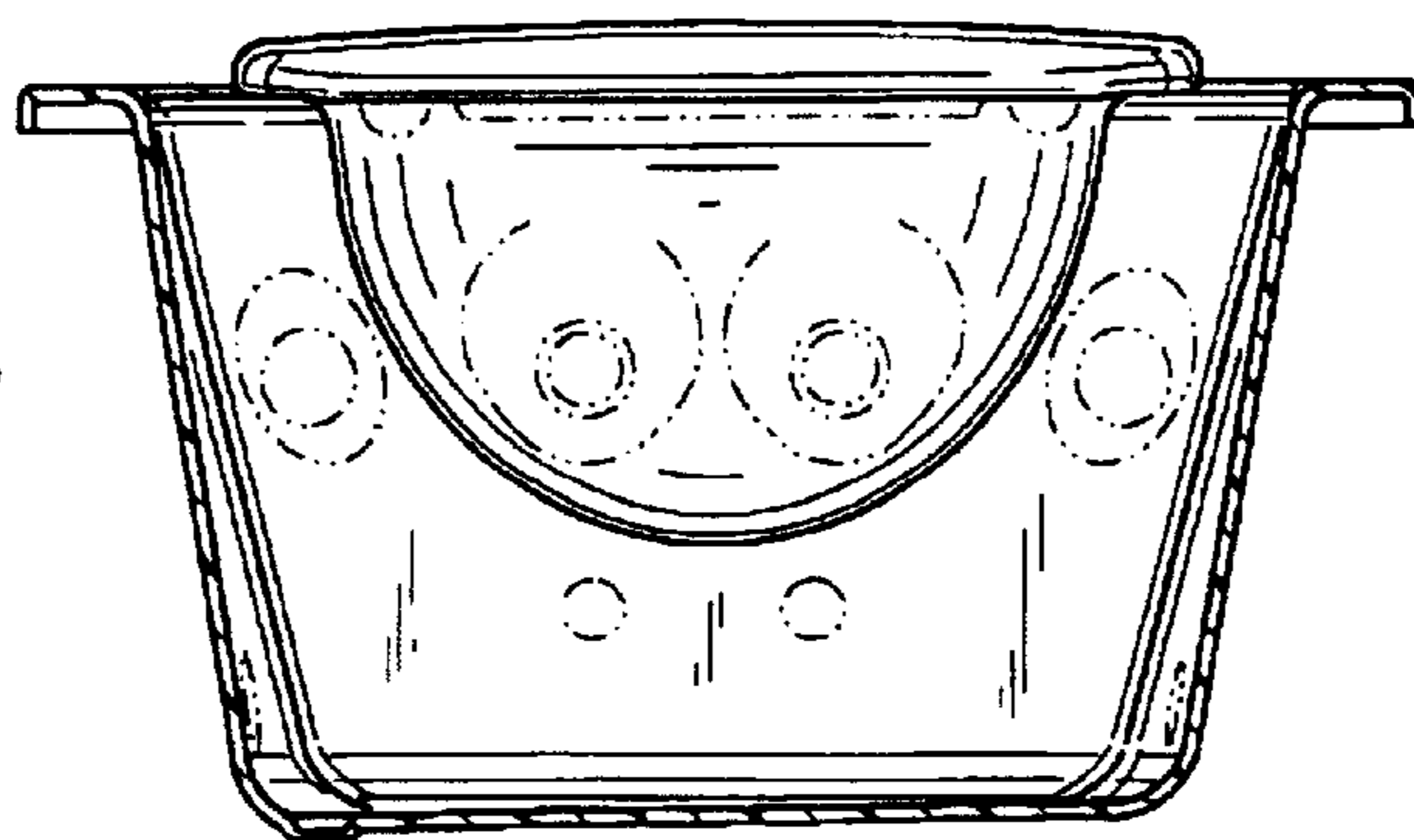


FIG. 9

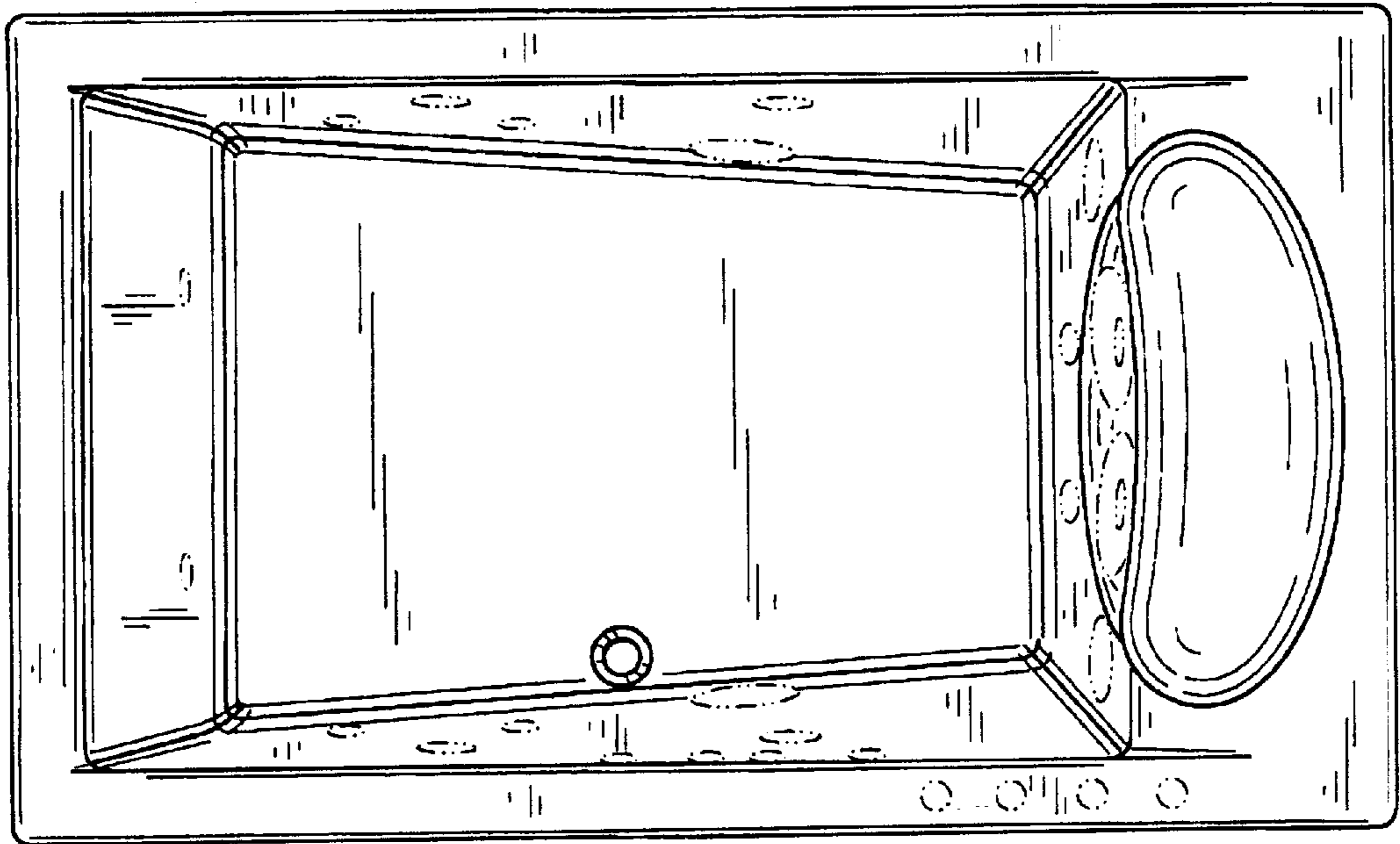


FIG. 18

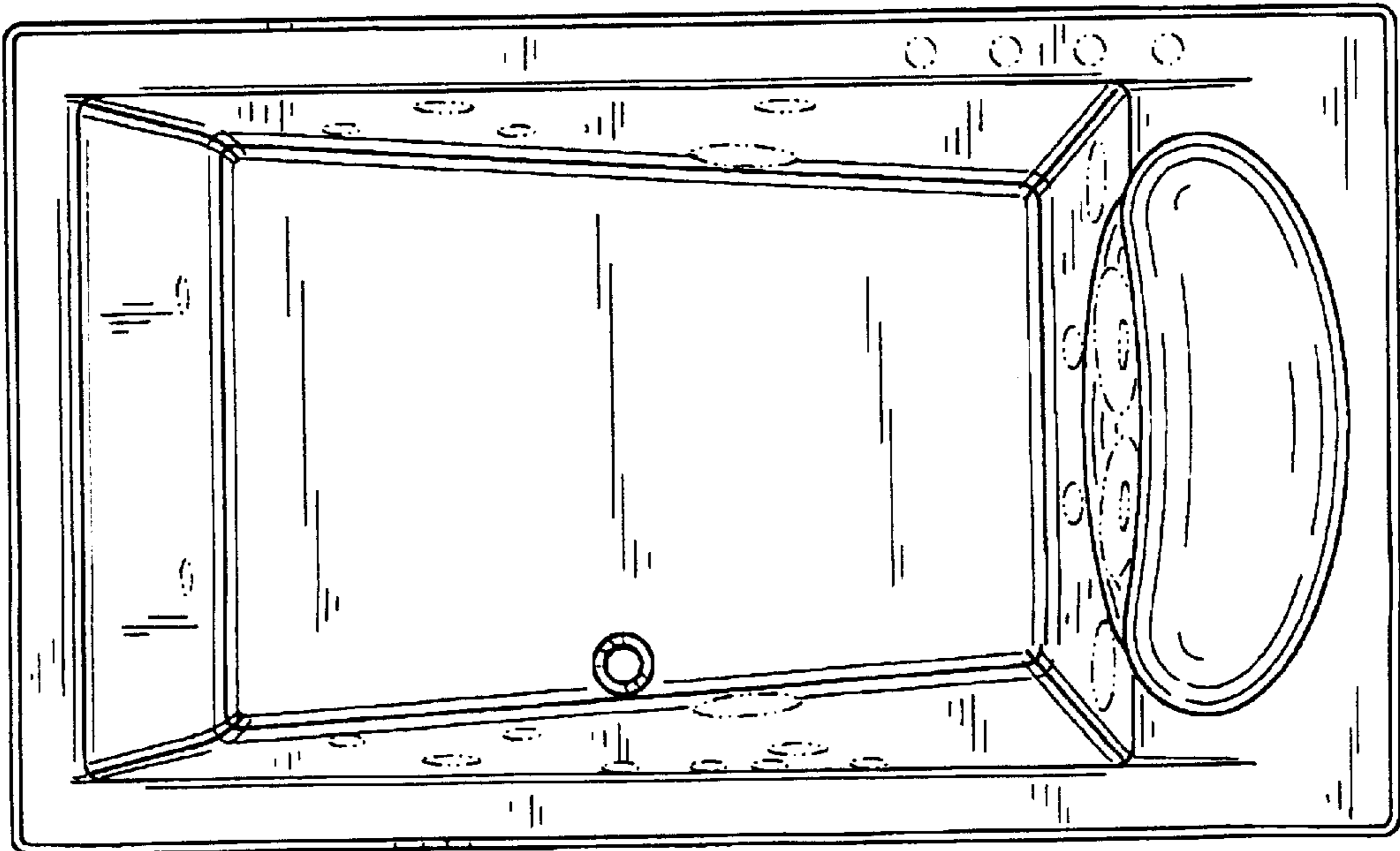


FIG. 10

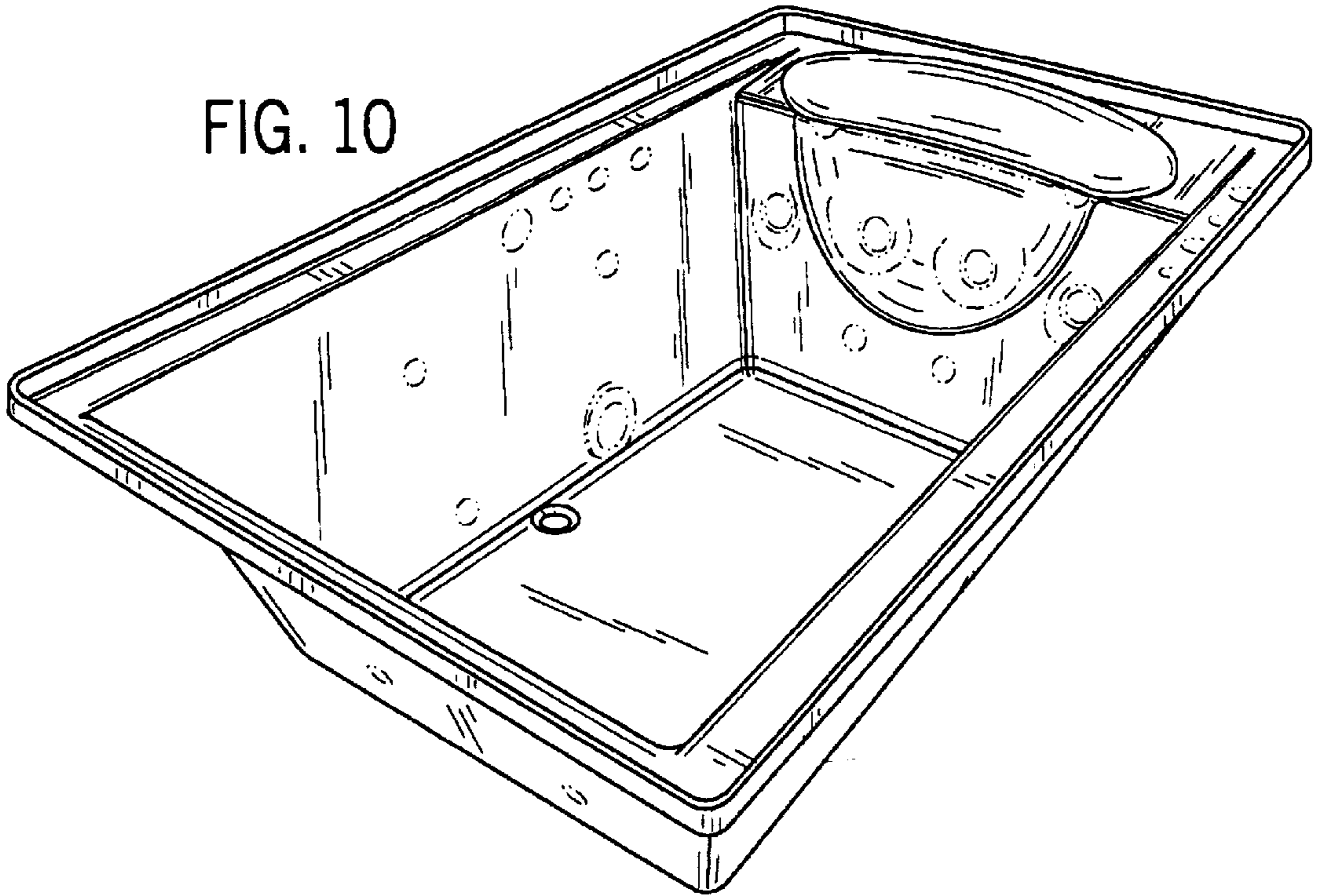


FIG. 11

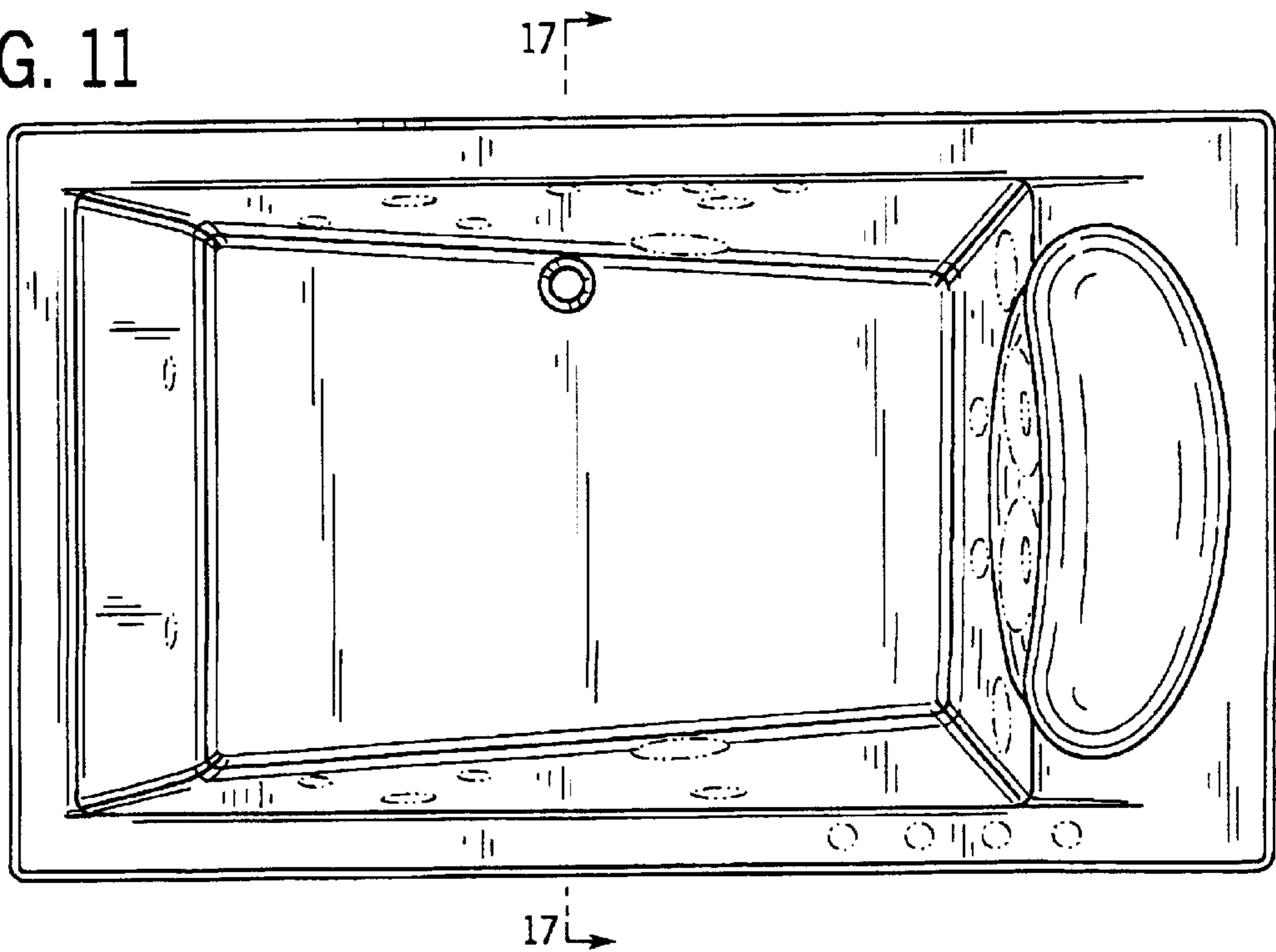


FIG. 12

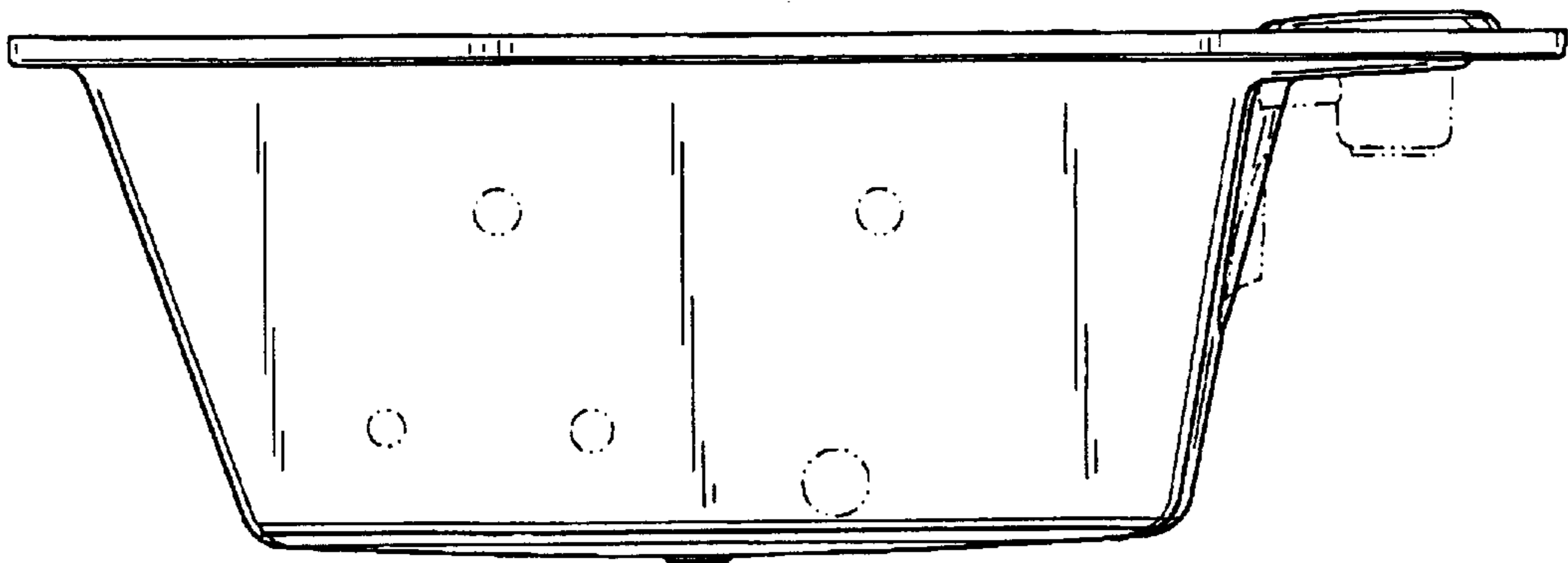


FIG. 13

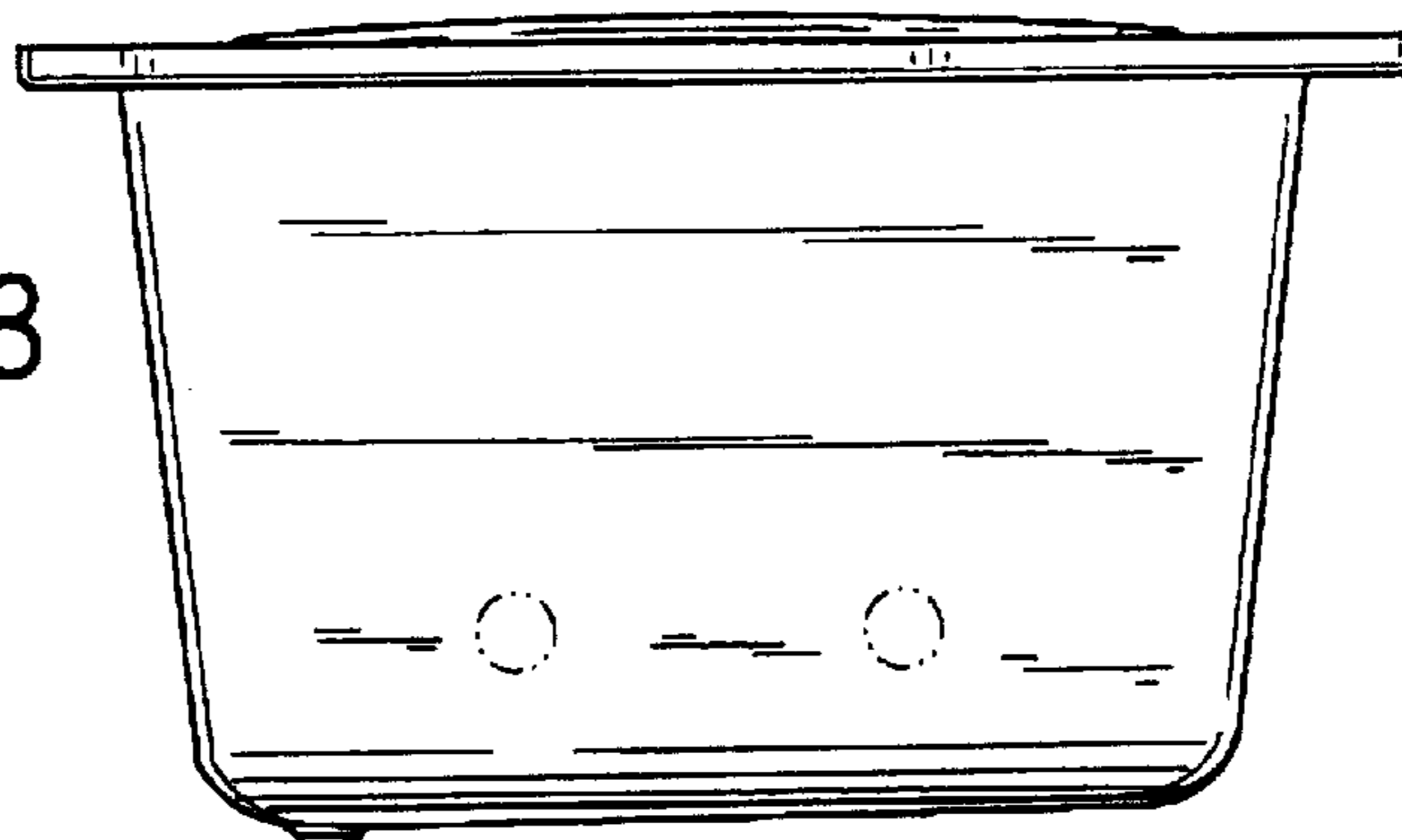


FIG. 14

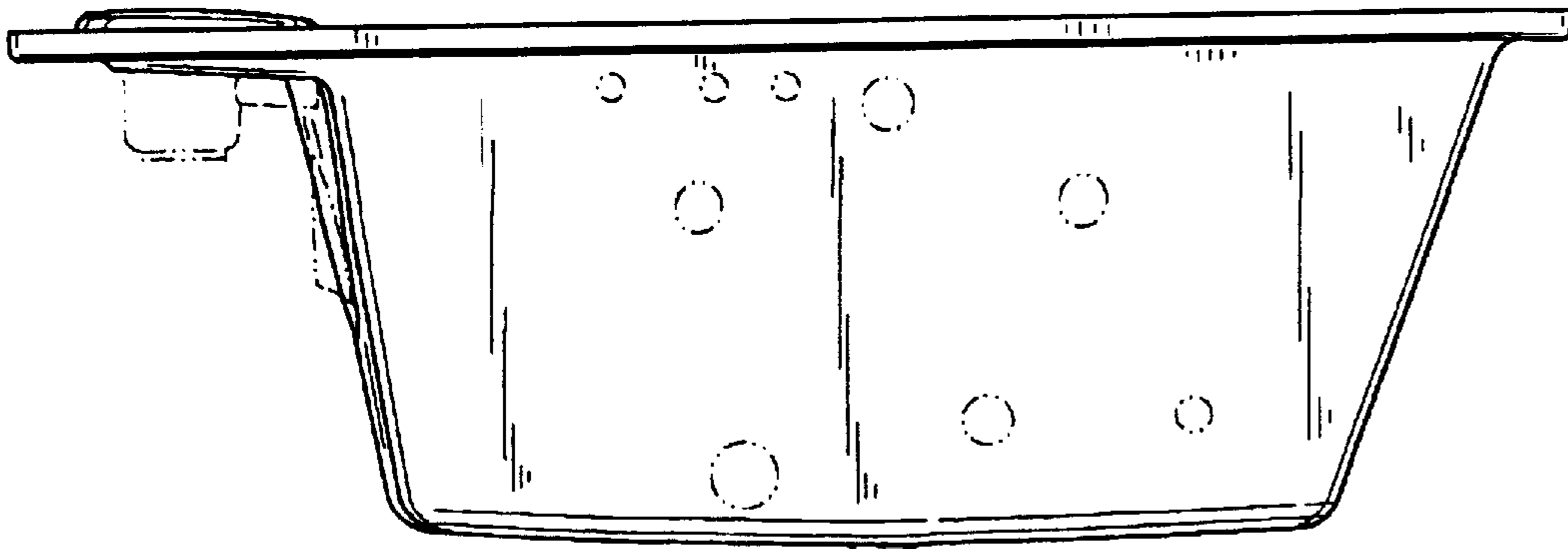


FIG. 15

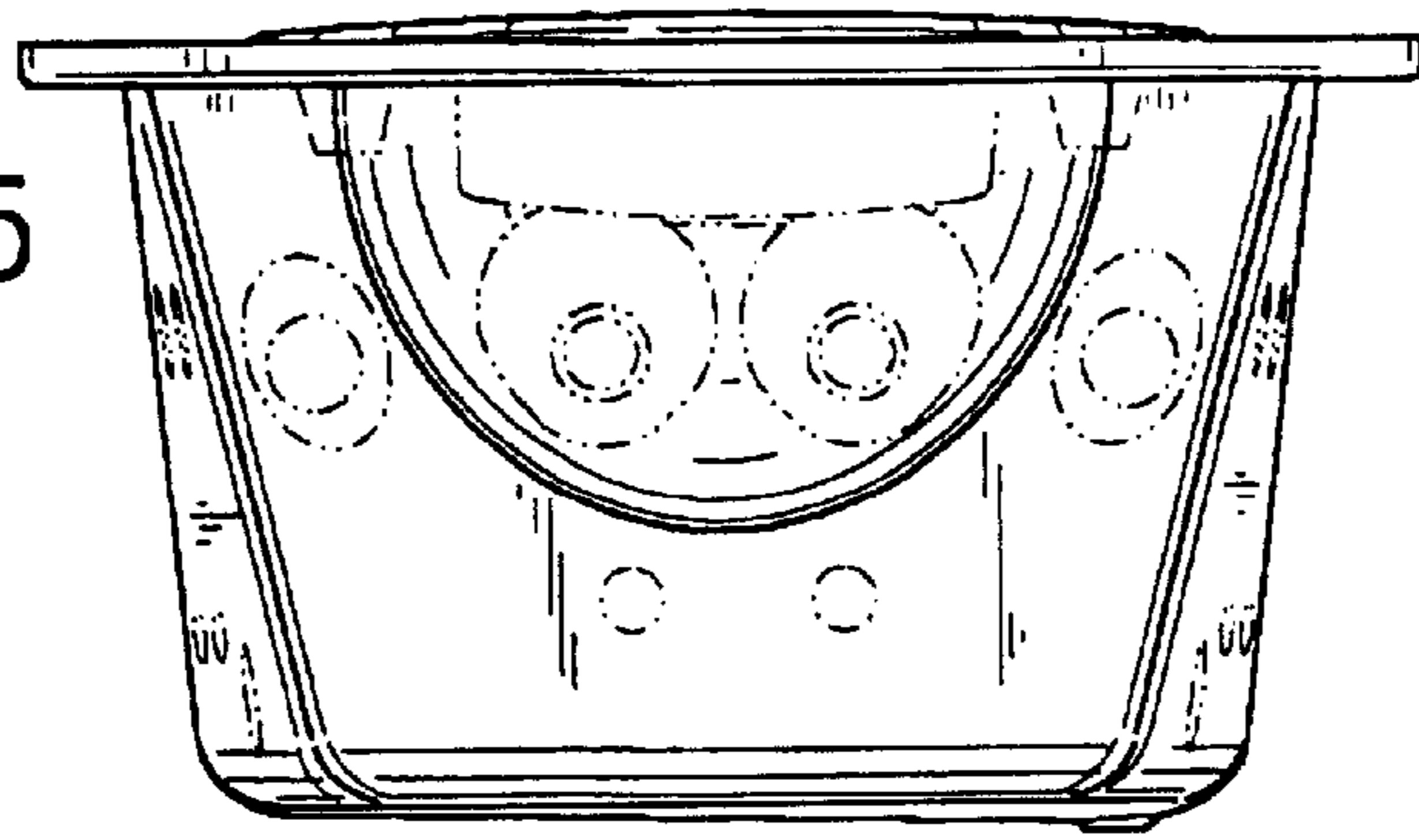


FIG. 16

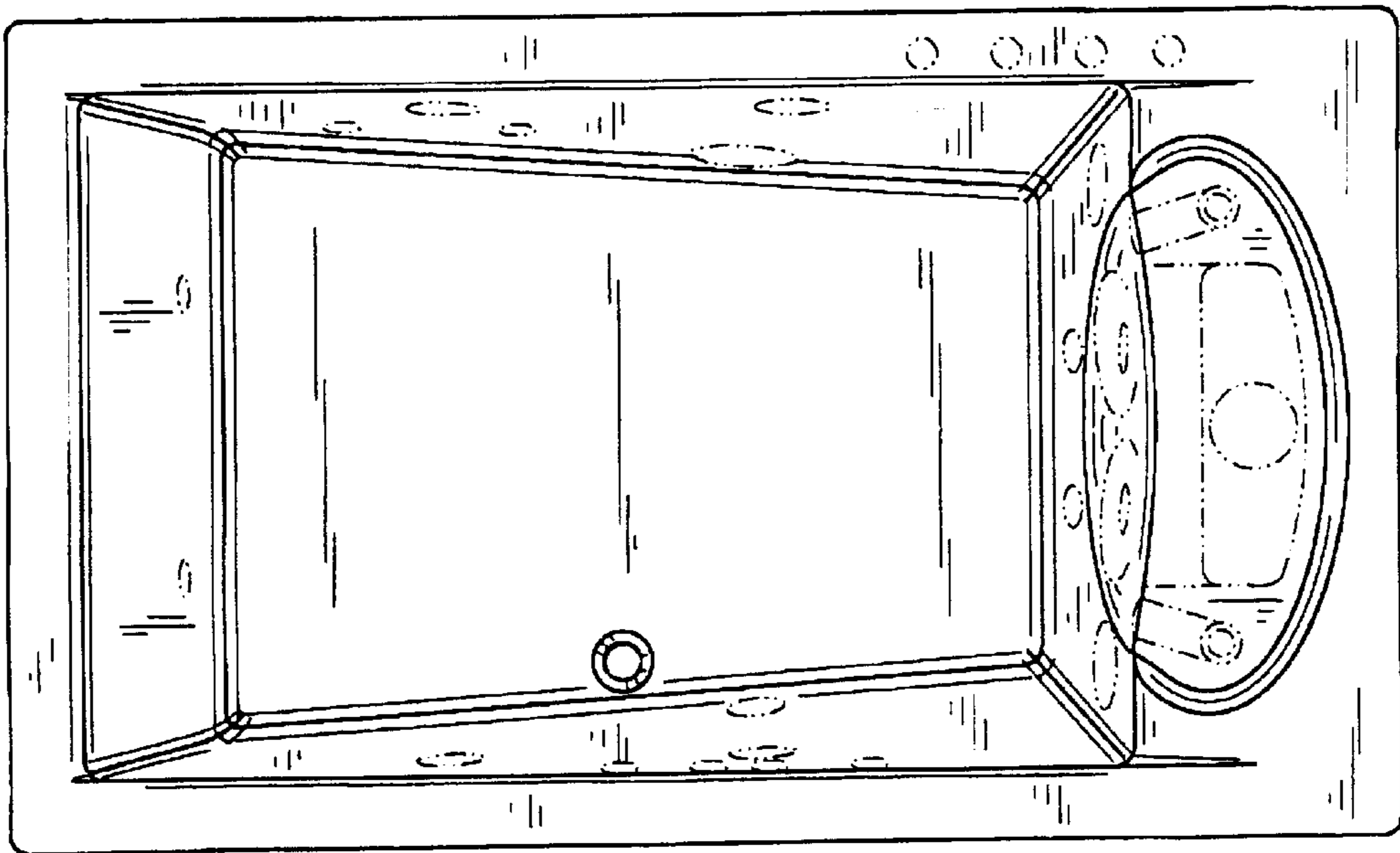


FIG. 17

