

US00D434835S

# United States Patent [19] Formgren

[11] Patent Number: Des. 434,835

[45] Date of Patent: \*\* Dec. 5, 2000

[54] PLUMBING FIXTURE

[75] Inventor: Anna-Pia K. Formgren, Sheboygan, Wis.

[73] Assignee: Kohler Co., Kohler, Wis.

[\*\*] Term: 14 Years

[21] Appl. No.: 29/106,173

[22] Filed: Jun. 10, 1999

### Related U.S. Application Data

[62] Division of application No. 29/065,305, Jan. 23, 1997.

[51] LOC (7) Cl. .... 23-01

[52] U.S. Cl. .... D23/275

[58] Field of Search ..... D23/271, 275, D23/277; 4/552, 597, 546, 675-678, 600-614, 538, 555, 584-589, 592, 593, 570, 596; 137/801; 52/35

### References Cited

#### U.S. PATENT DOCUMENTS

D. 319,093	8/1991	Dannenberg et al. ....	D23/275
D. 325,623	4/1992	Lenahan .....	D23/275
D. 332,995	2/1993	Dworetzky .....	D23/275
D. 369,399	4/1996	Dworetzky .....	D23/275
5,001,787	3/1991	Lynch .....	4/552

#### OTHER PUBLICATIONS

- 1991 HydroSwirl ad showing a bath/shower base.
- Undated Sears, Roebuck ad showing a neoangle shower stall.
- Undated Jacuzzi ad showing a "Stellaria" whirlpool.
- 1987 American Sports Co. ad showing "Champagne" tub.
- Undated Néomediam ad showing a "Duffy" shower stall and base.
- Undated Néomediam ad showing a "Micromega" tub.
- Undated Kohler ad, p. 8-4, showing a "pristine" bath.
- 1993 Kohler ad, p. 9-15, showing a "Whitecap" shower receptor.
- Undated Villeroy ad showing a "Naoko" tub.

Primary Examiner—Doris Clark  
Attorney, Agent, or Firm—Quarles & Brady LLP

### [57] CLAIM

The ornamental design for a plumbing fixture, as shown and described.

### DESCRIPTION

FIG. 1 is a right, top, front perspective view of a plumbing fixture, in the form of a shower enclosure receptor, a seat, and a tub for bathing, embodying my new design;

FIG. 2 is a top plan view thereof;

FIG. 3 is a front elevational view thereof;

FIG. 4 is a right elevational view thereof;

FIG. 5 is a left elevational view thereof;

FIG. 6 is a cross-sectional view taken along line 6—6 of FIG. 2;

FIG. 7 is a left, top, front perspective view of a second embodiment which is a mirror image of the first embodiment;

FIG. 8 is a top plan view thereof, the front elevational view being a mirror image of that shown in FIG. 3, the left elevational view being a mirror image of that shown in FIG. 4, and the right elevational view being a mirror image of that shown in FIG. 5;

FIG. 9 is a right, top, front perspective of a third embodiment where the tub and seat are the same as the first embodiment, but the receptor is different;

FIG. 10 is a top plan view thereof;

FIG. 11 is a front elevational view thereof;

FIG. 12 is a left elevational view thereof, the right elevational view being identical to that shown in FIG. 4;

FIG. 13 is a cross-sectional view taken along line 13—13 of FIG. 10;

FIG. 14 is a left, top, front perspective view of a fourth embodiment which is a mirror image of the third embodiment;

FIG. 15 is a top plan view thereof, the front elevational view being a mirror image of that shown in FIG. 11, the right elevational view being a mirror image of that shown in FIG. 12, and the left elevational view being a mirror image of that shown in FIG. 4;

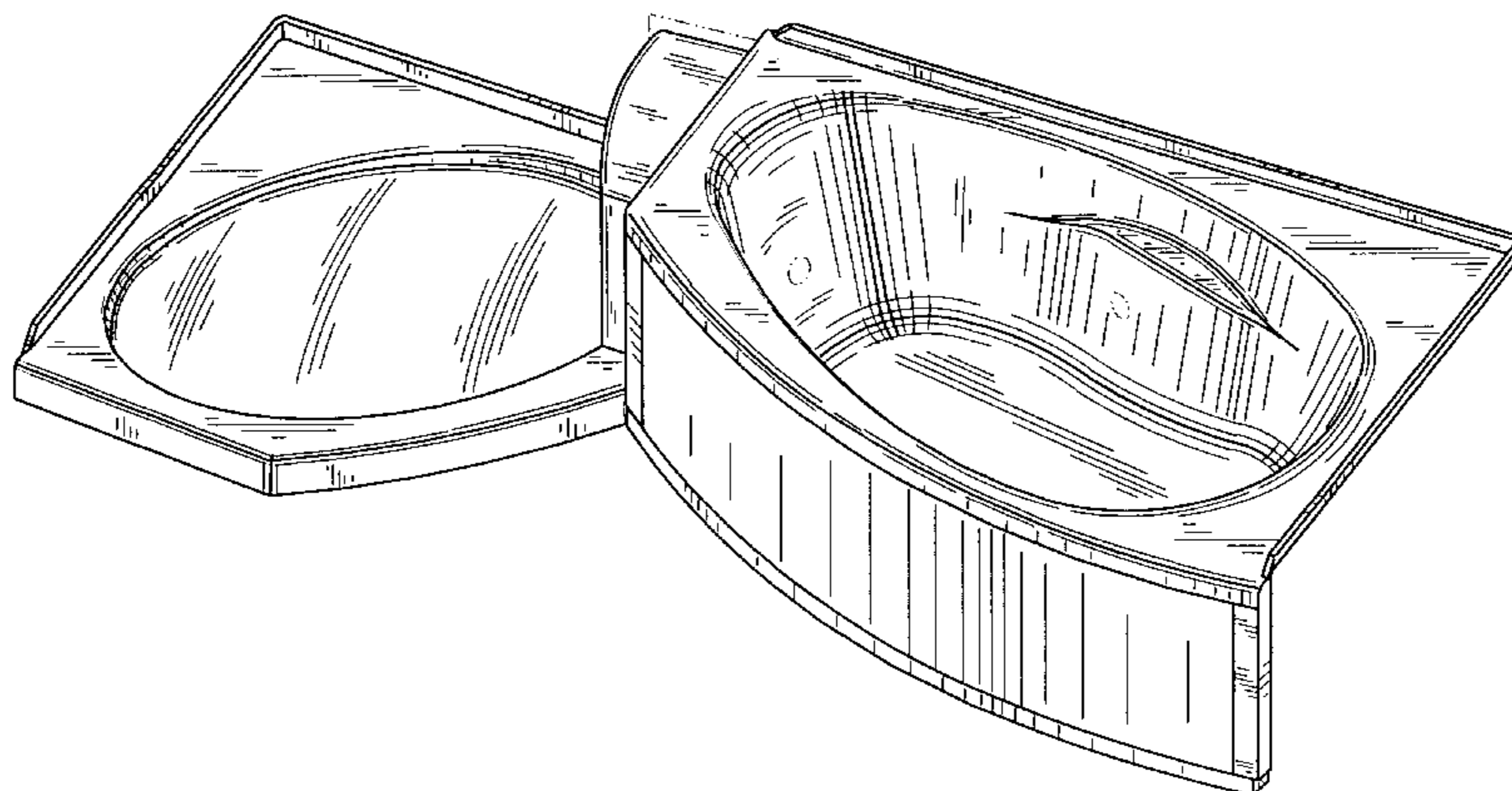


FIG. 16 is a top perspective view of a fifth embodiment, this receptor being identical to the receptor shown in the first embodiment except for the pattern on the top wall of the bottom surface of the receptor and which in this embodiment is intended to be used as part of the FIG. 1 plumbing fixture, but with this receptor replacing the receptor shown in the first embodiment;

FIG. 17 is a top plan view thereof;

FIG. 18 is an enlarged, detailed partial cross-sectional view taken along line 18—18 of FIG. 17;

FIG. 19 is a top plan view of a sixth embodiment, this receptor being identical to the receptor shown in the second embodiment except for the pattern on the top wall of the bottom surface of the receptor and which in this embodiment is intended to be used as part of the FIG. 7 plumbing fixture, but with this receptor replacing the receptor shown in the second embodiment;

FIG. 20 is an enlarged, detailed partial cross-sectional view taken along line 20—20 of FIG. 19;

FIG. 21 is a top perspective view of a seventh embodiment, this receptor being identical to the receptor shown in the third embodiment except for the pattern on the top wall of the bottom surface of the receptor and in this embodiment is intended to be used as part of the FIG. 9 plumbing fixture, but with this receptor replacing the receptor shown in the third embodiment;

FIG. 22 is a top plan view thereof;

FIG. 23 is an enlarged, detailed partial cross-sectional view taken along line 23—23 of FIG. 22;

FIG. 24 is a top plan view of an eighth embodiment, this receptor being identical to the receptor shown in the fourth embodiment except for the pattern on the top wall of the bottom surface of the receptor and which in this embodiment is intended to be used as part of the FIG. 14 plumbing fixture, but with this receptor replacing the receptor shown in the fourth embodiment; and,

FIG. 25 is an enlarged, detailed partial cross-sectional view taken along line 25—25 of FIG. 24.

The broken line representations of holes in FIGS. 1, 2, 4, 6–10, 14, and 15, and of a lip in FIGS. 1–3, 5, 7–12, 14, and 15, are for the purpose of illustration only, and form no part of the claimed design.

**1 Claim, 16 Drawing Sheets**

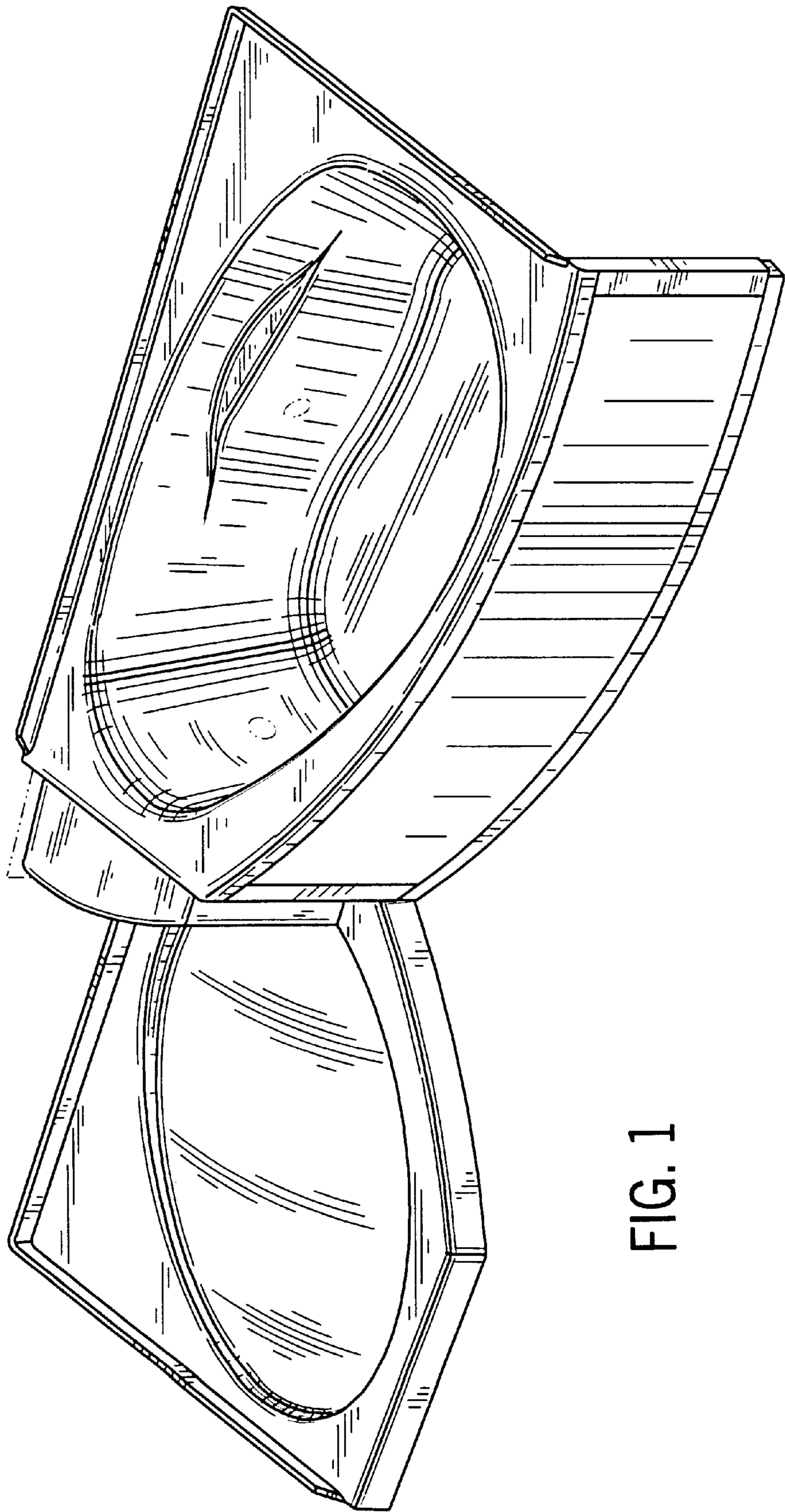


FIG. 1

FIG. 2

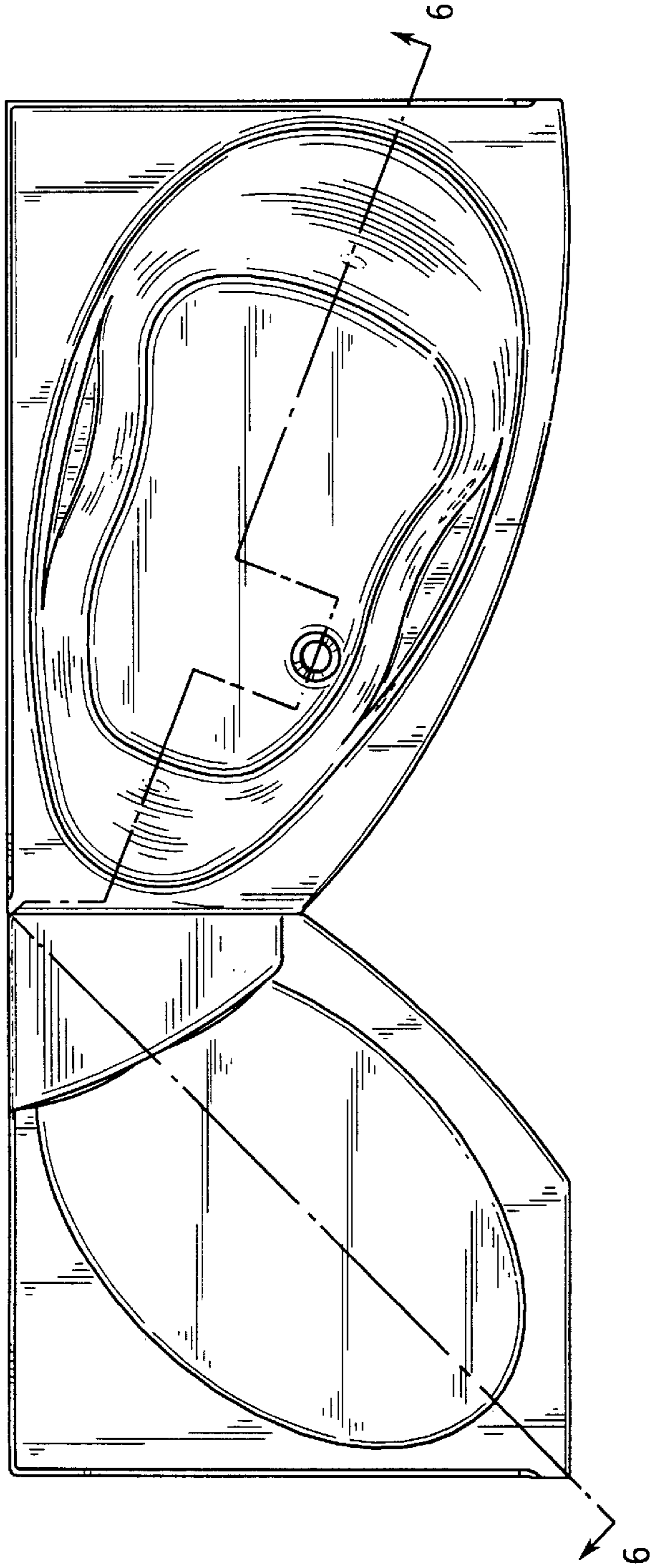


FIG. 3

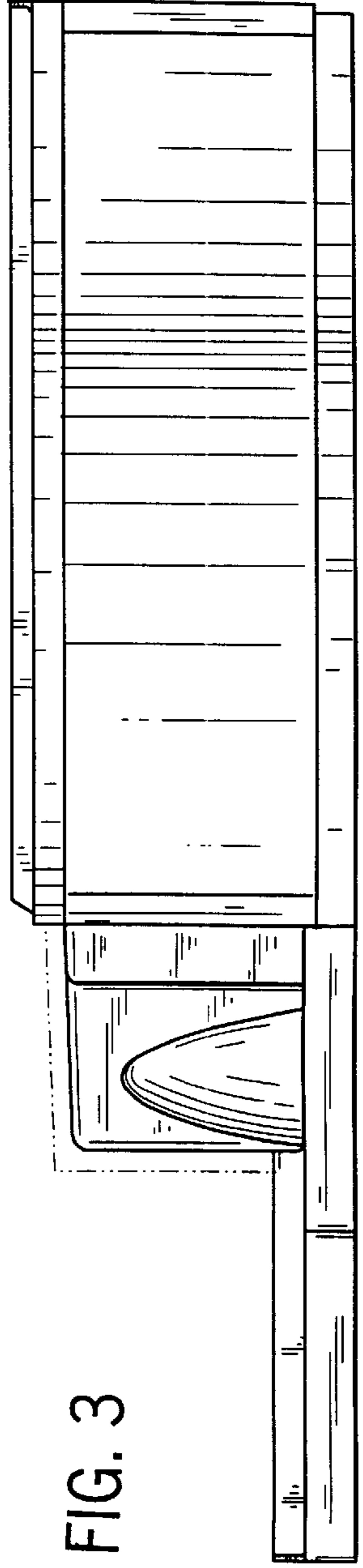


FIG. 5

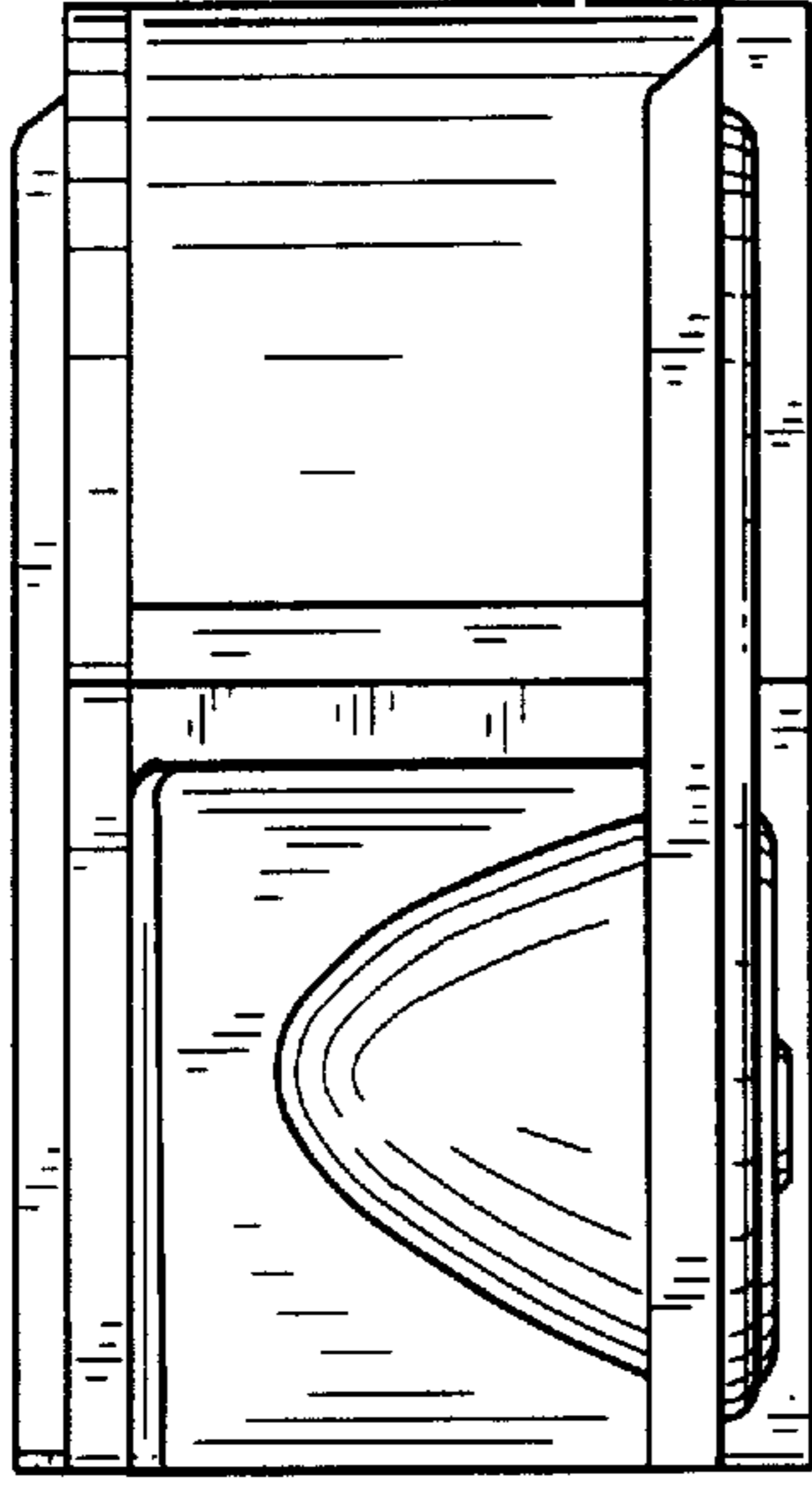


FIG. 4

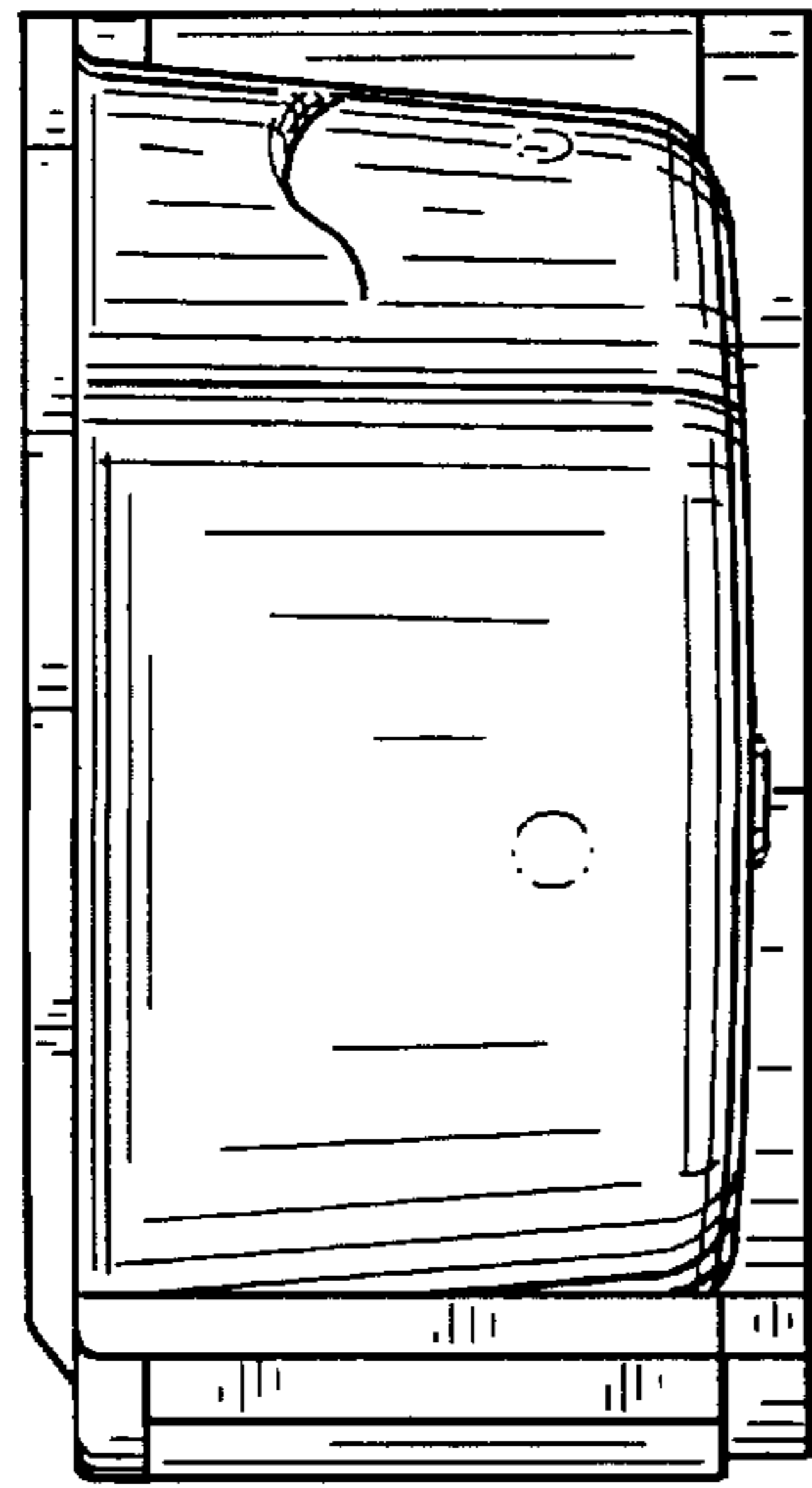
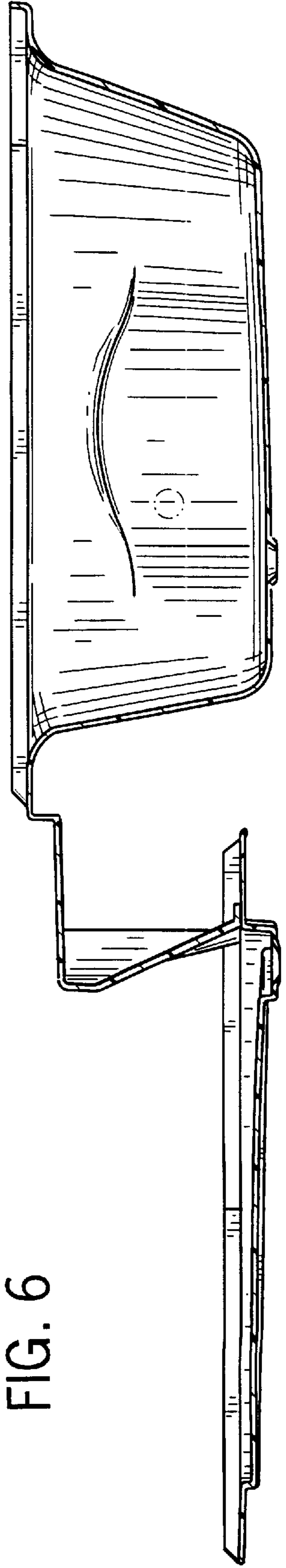


FIG. 6



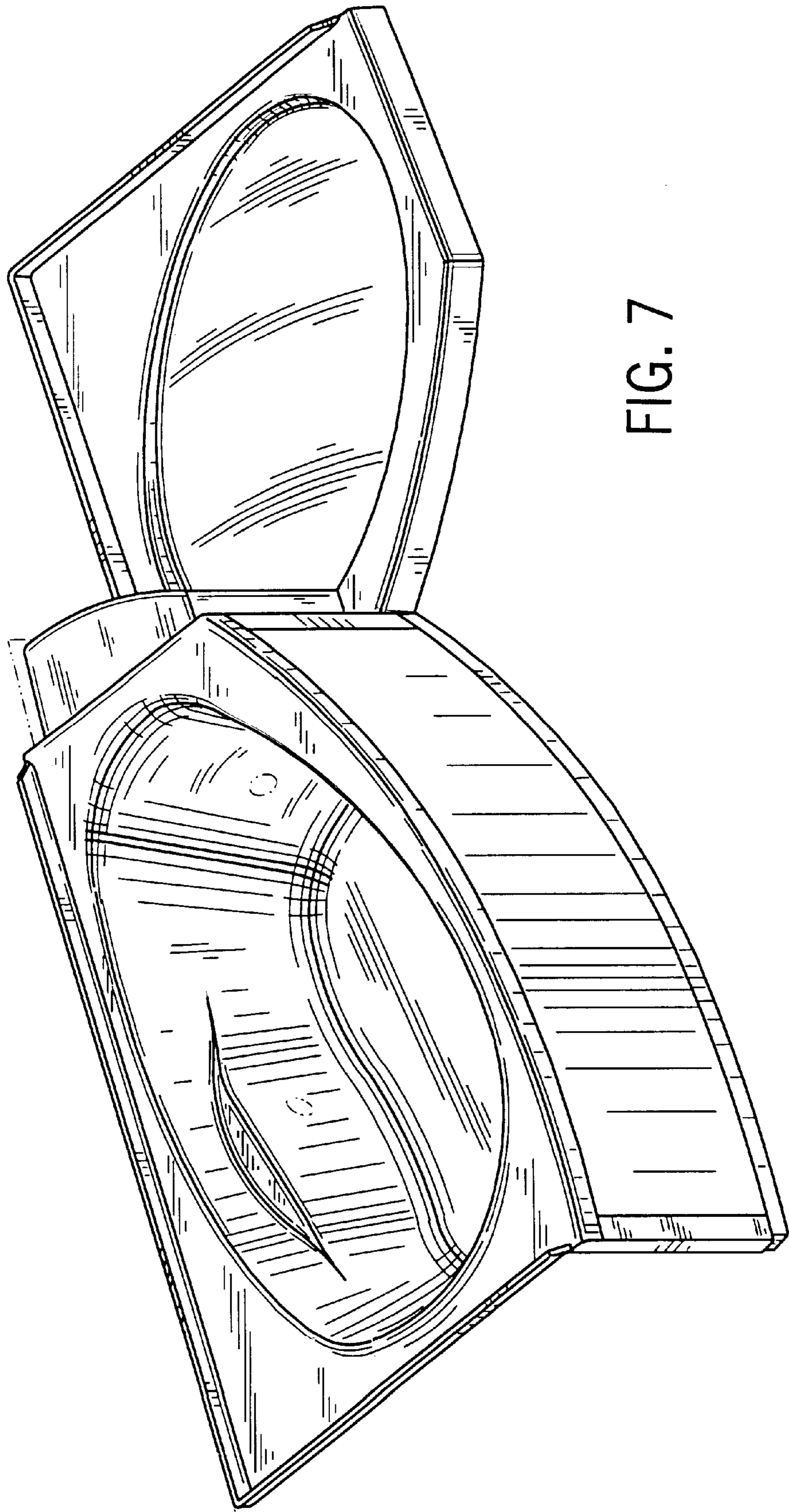
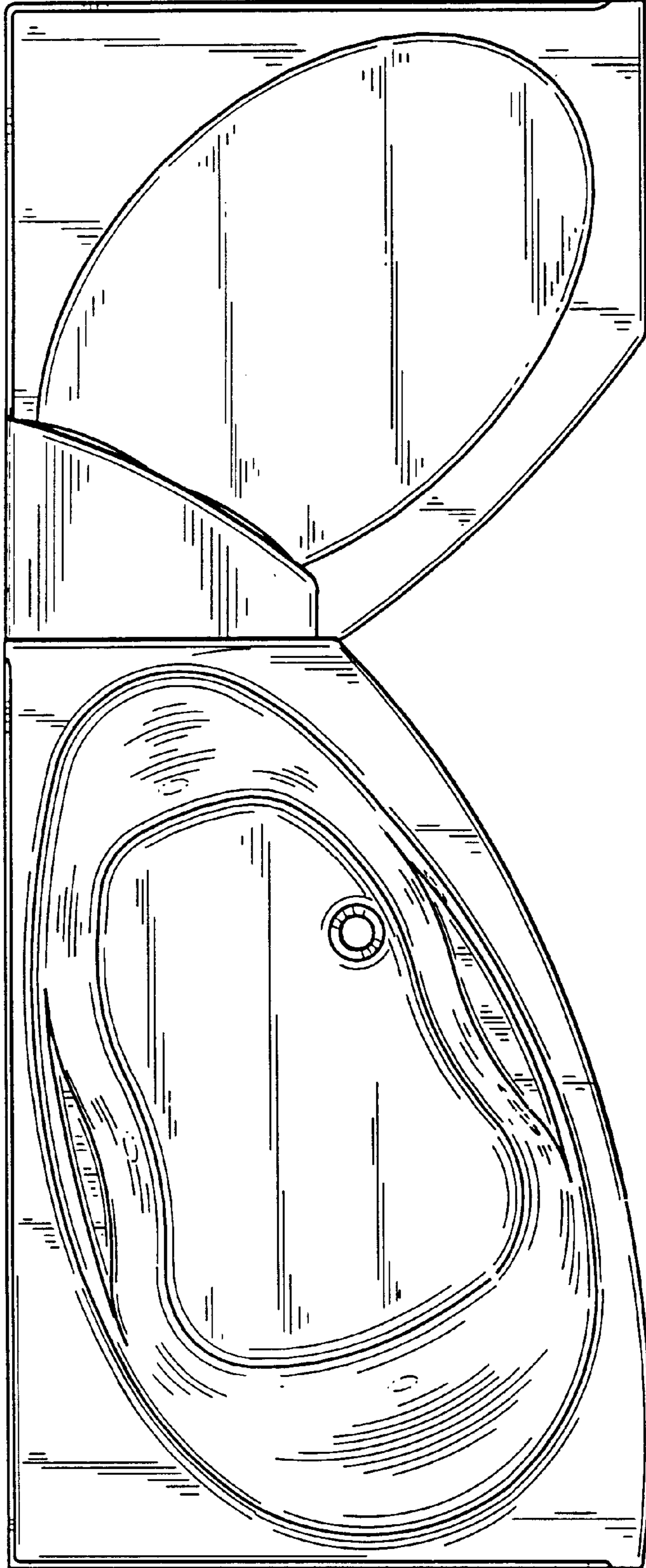


FIG. 7

FIG. 8



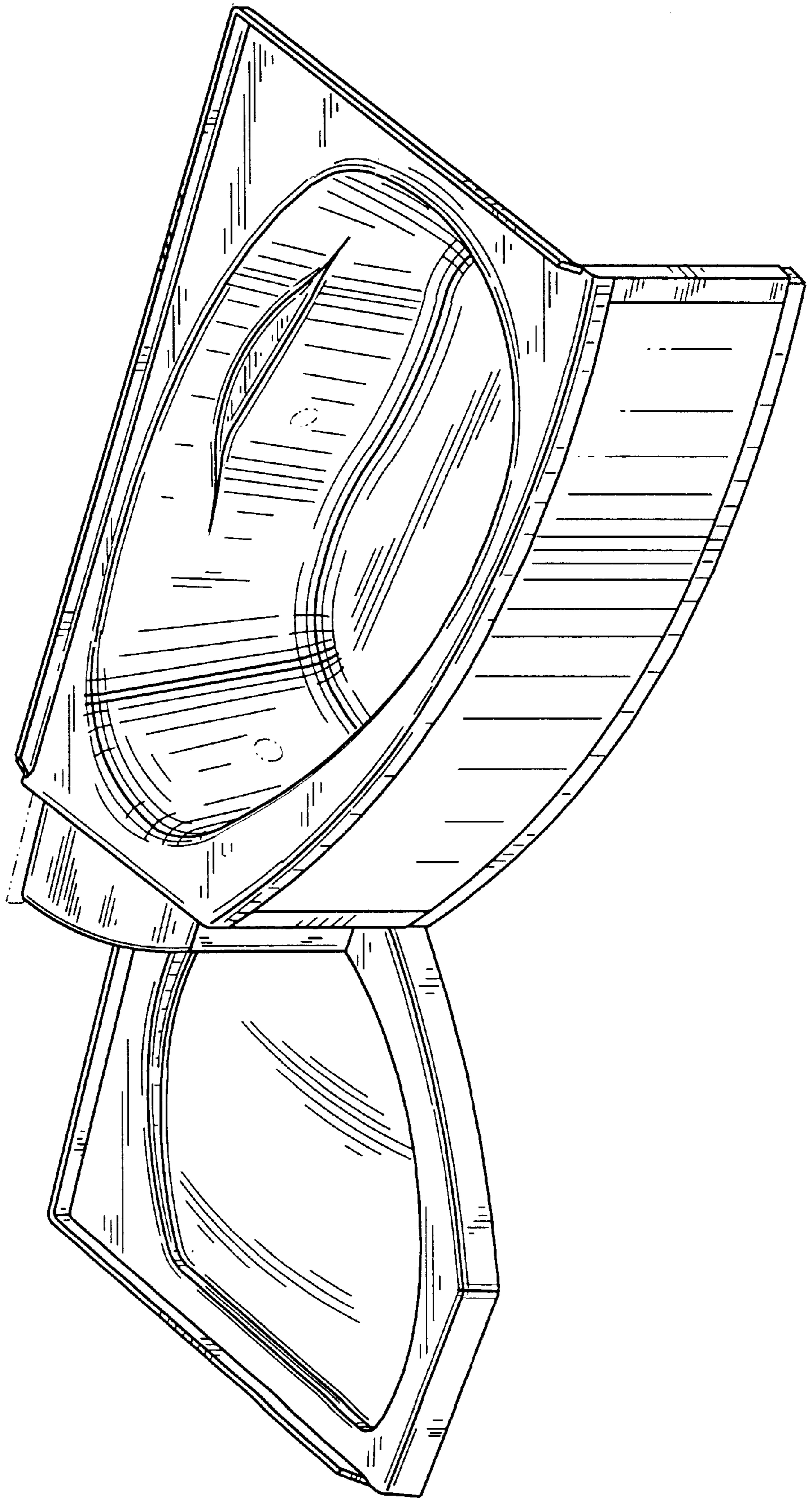


FIG. 9



FIG. 10

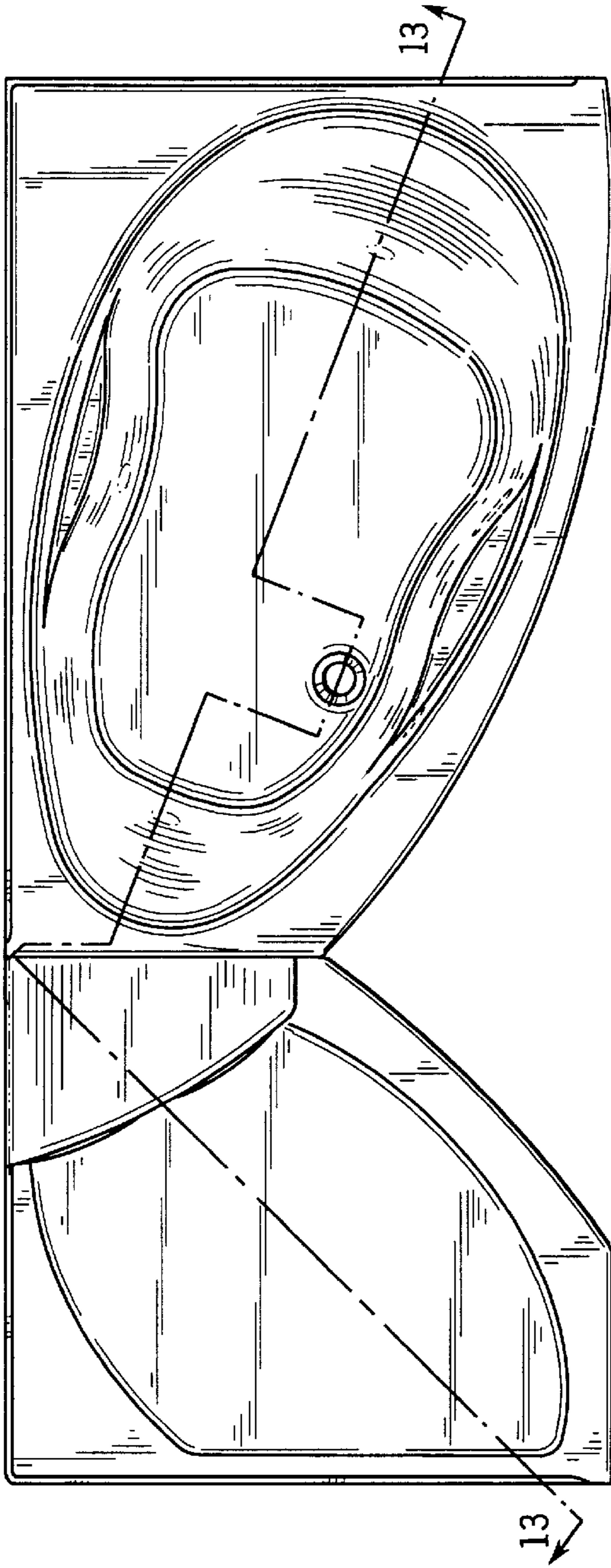
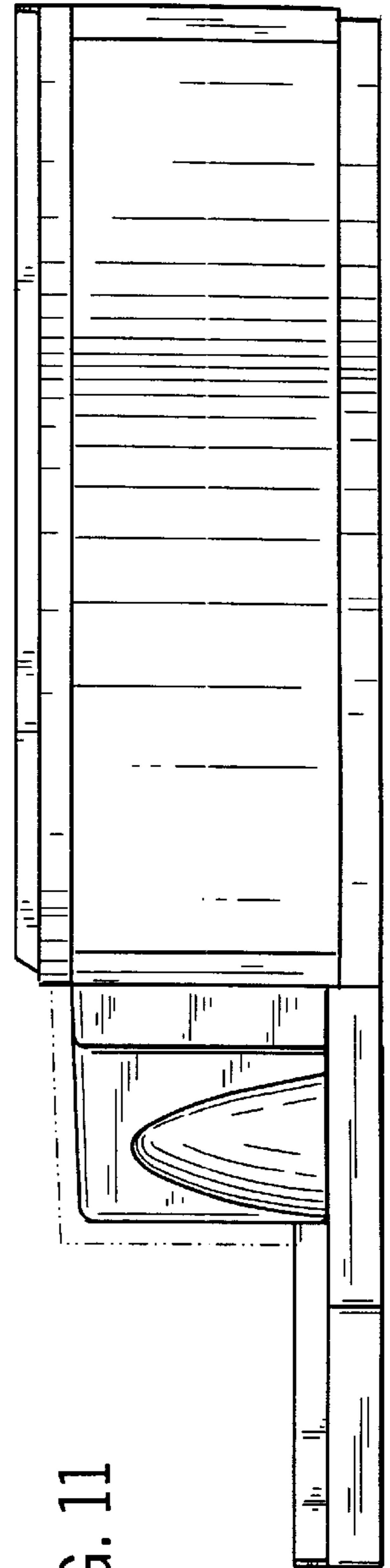


FIG. 11



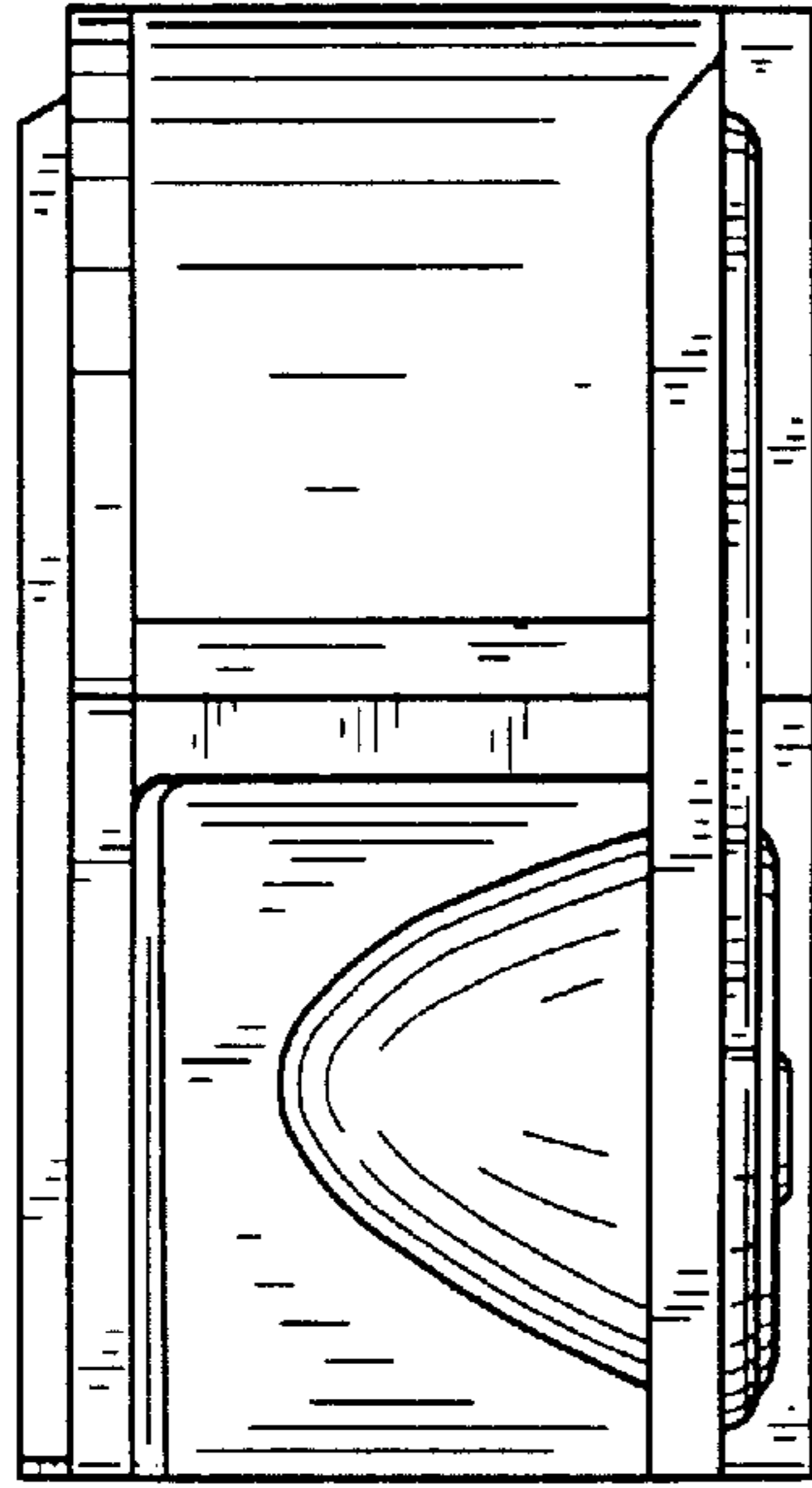


FIG. 12

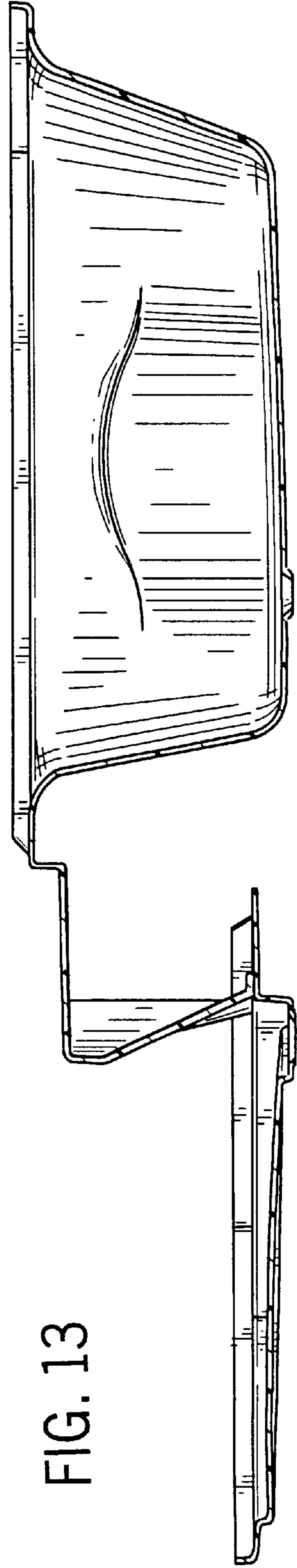


FIG. 13

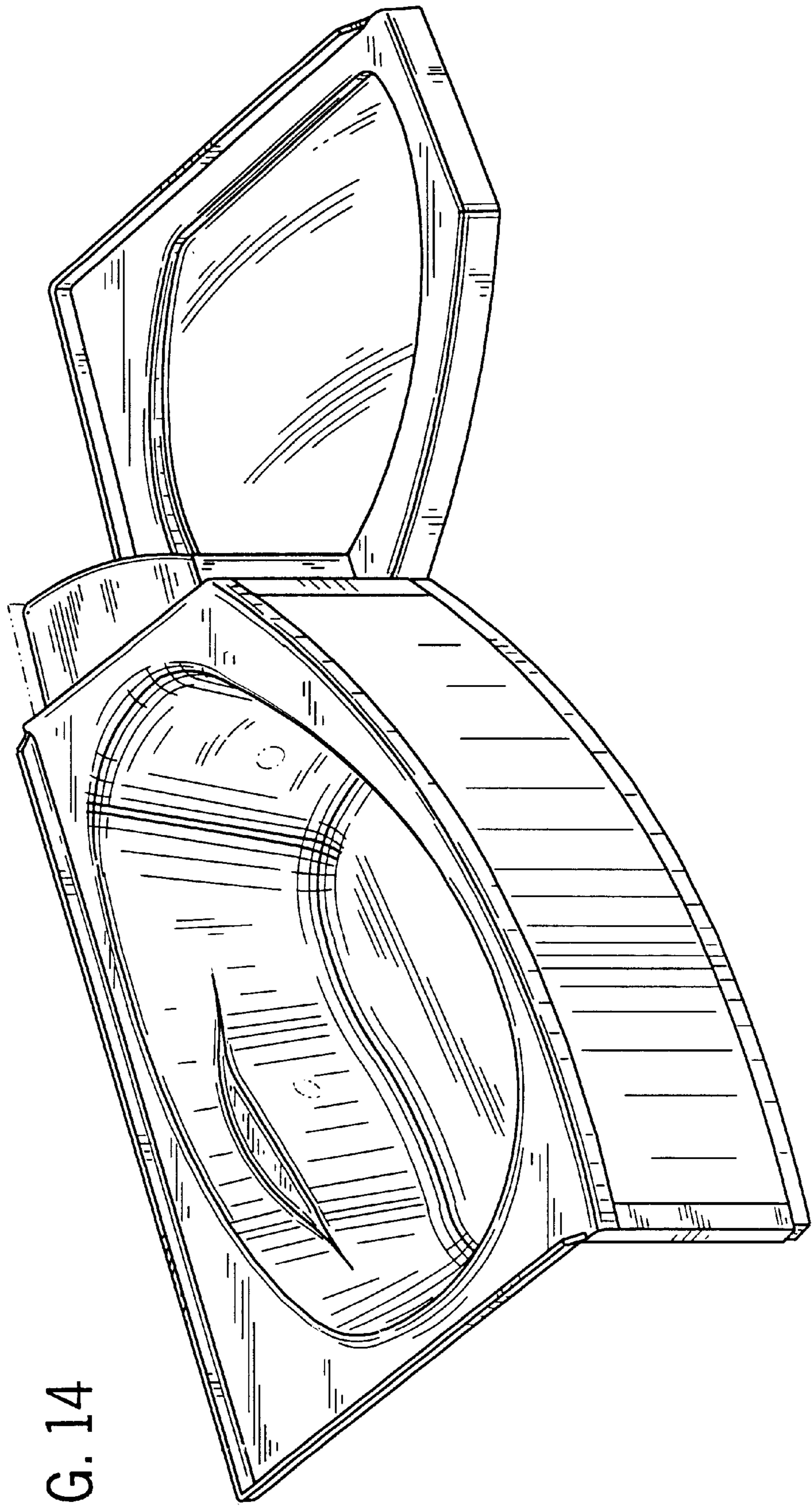
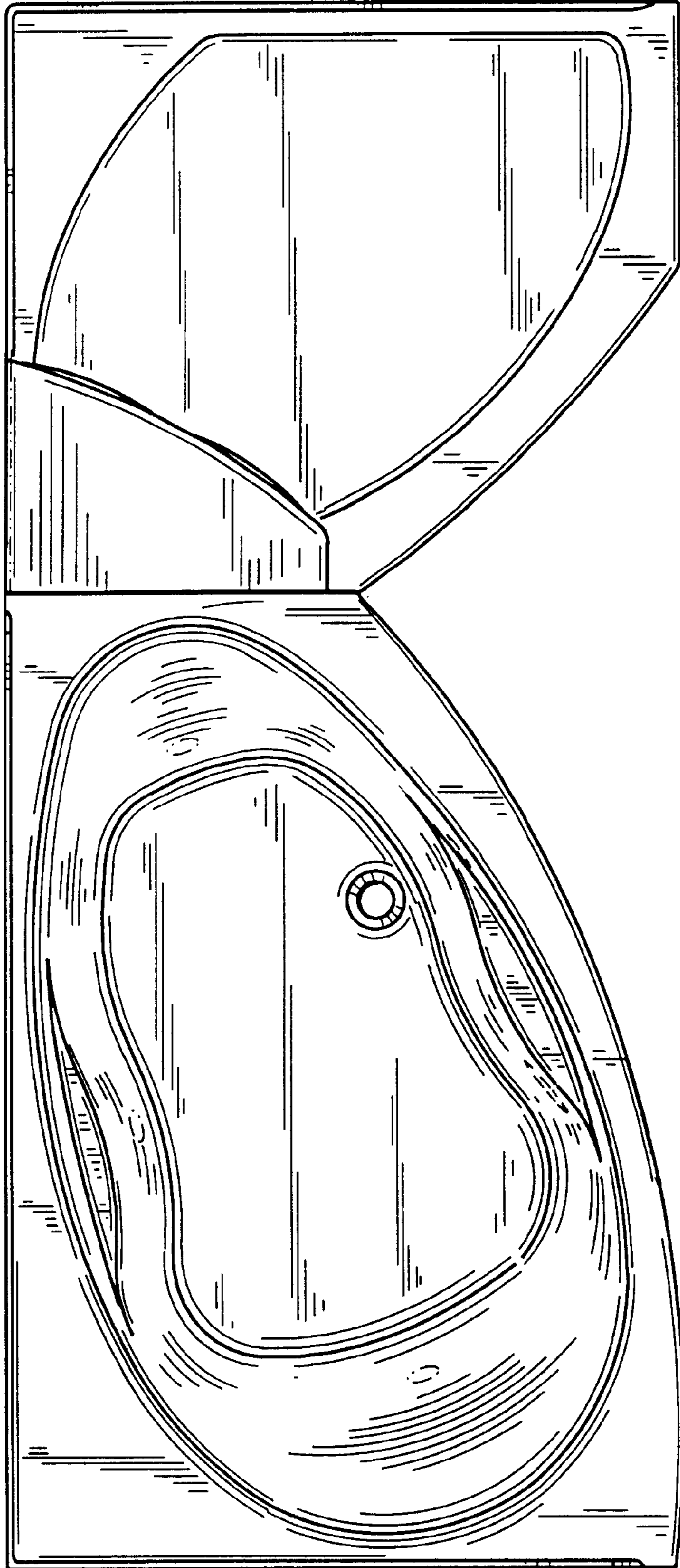


FIG. 14

FIG. 15



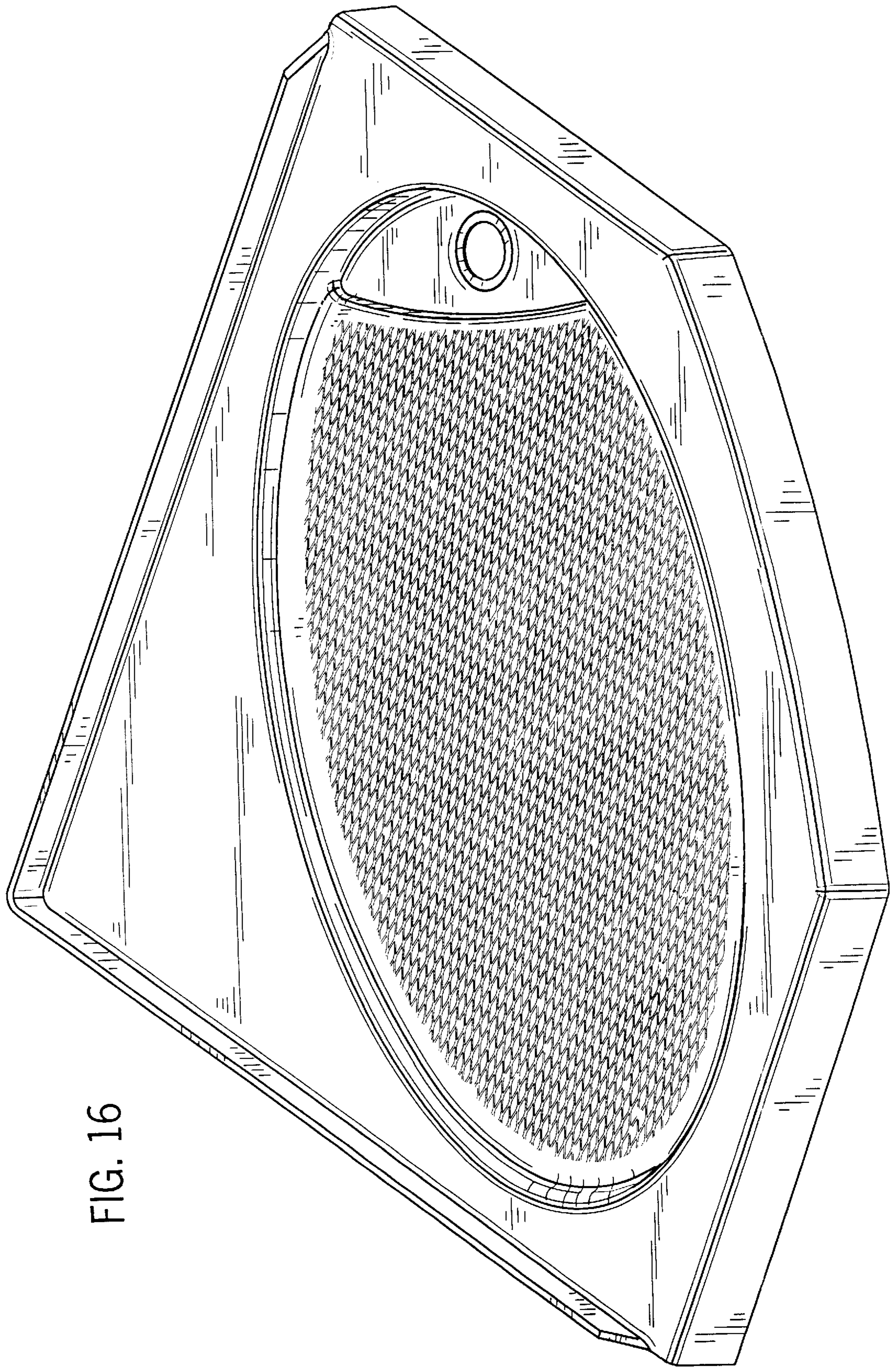


FIG. 16

FIG. 17

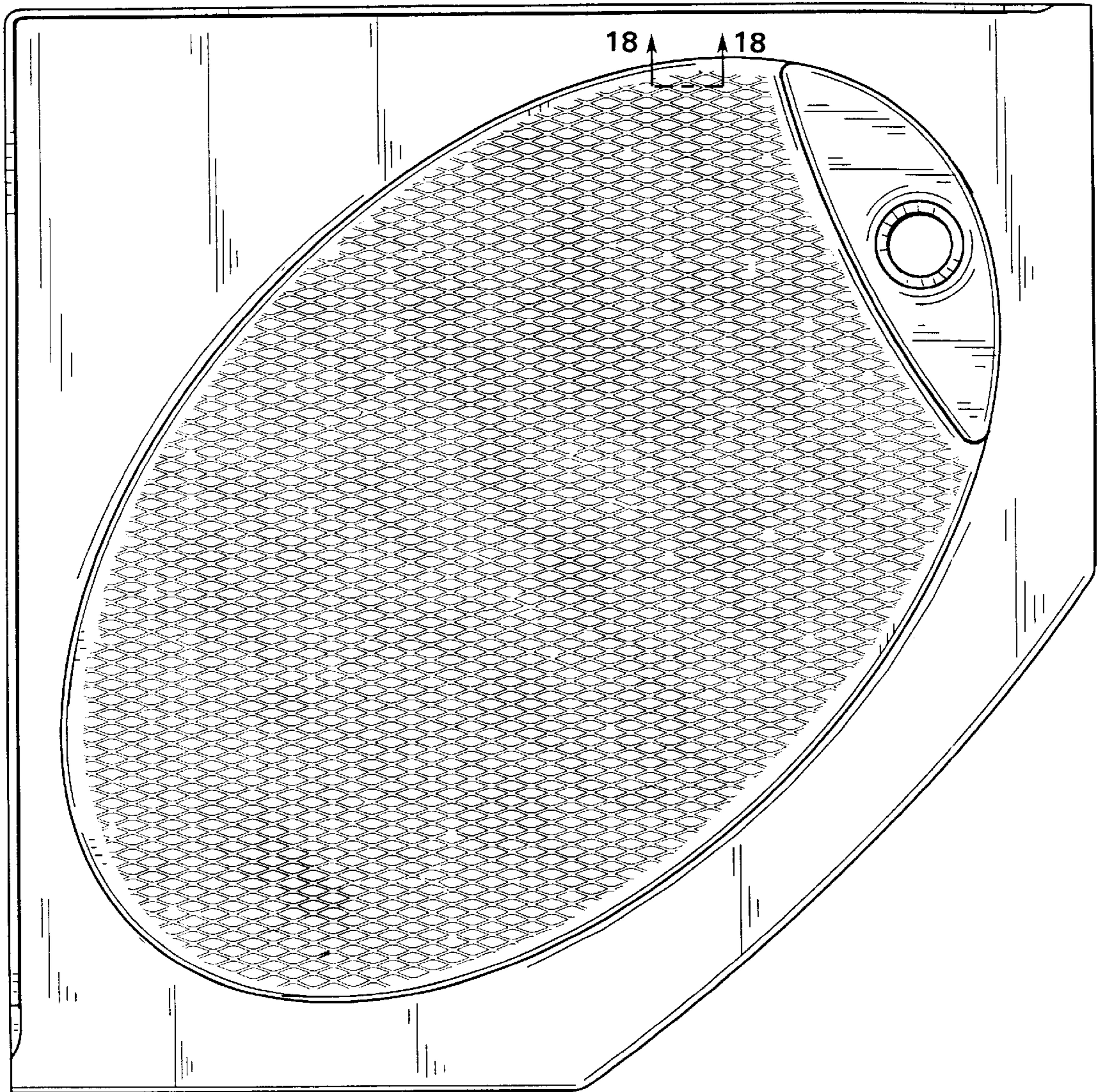


FIG. 18

FIG. 19

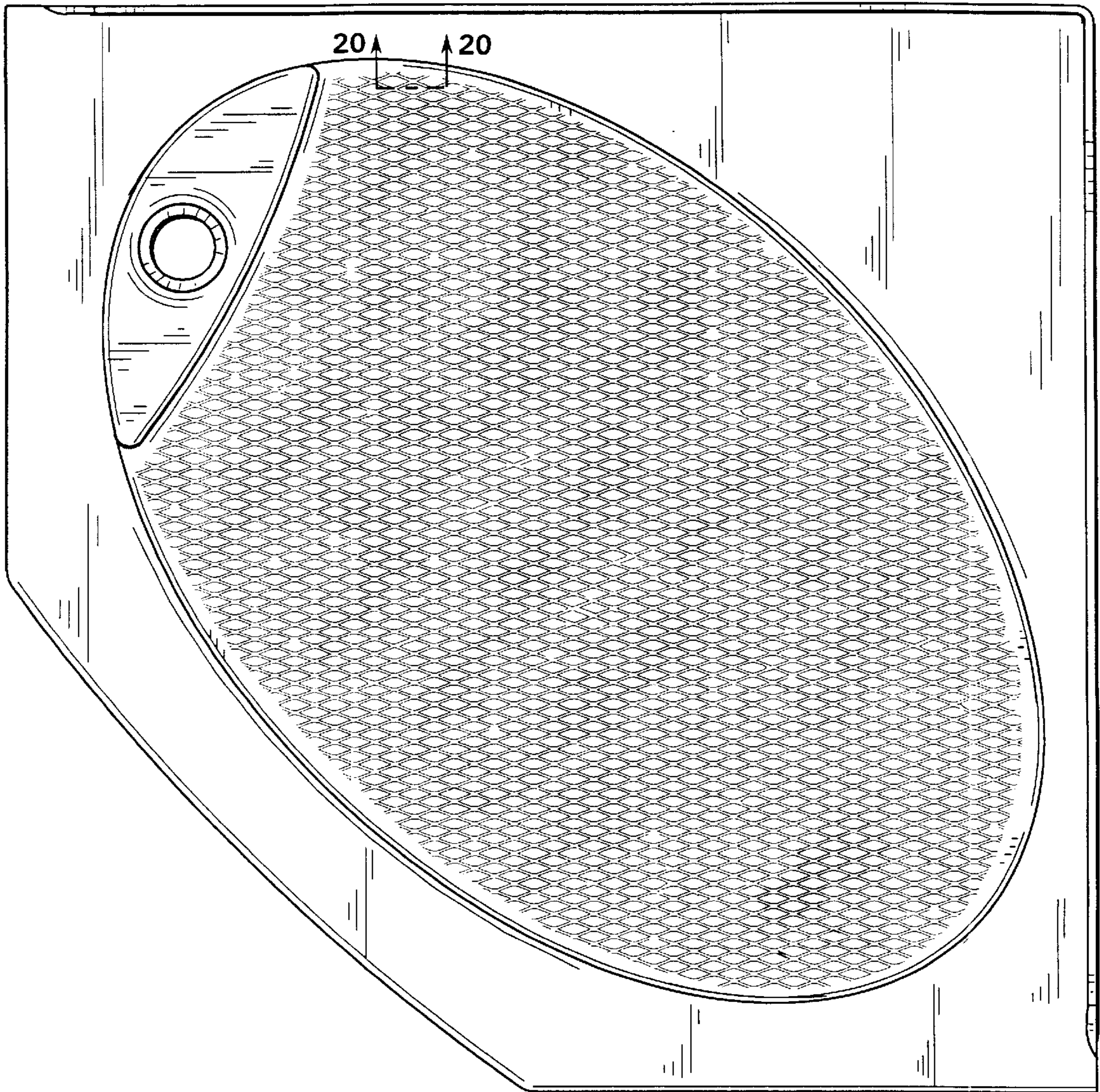


FIG. 20

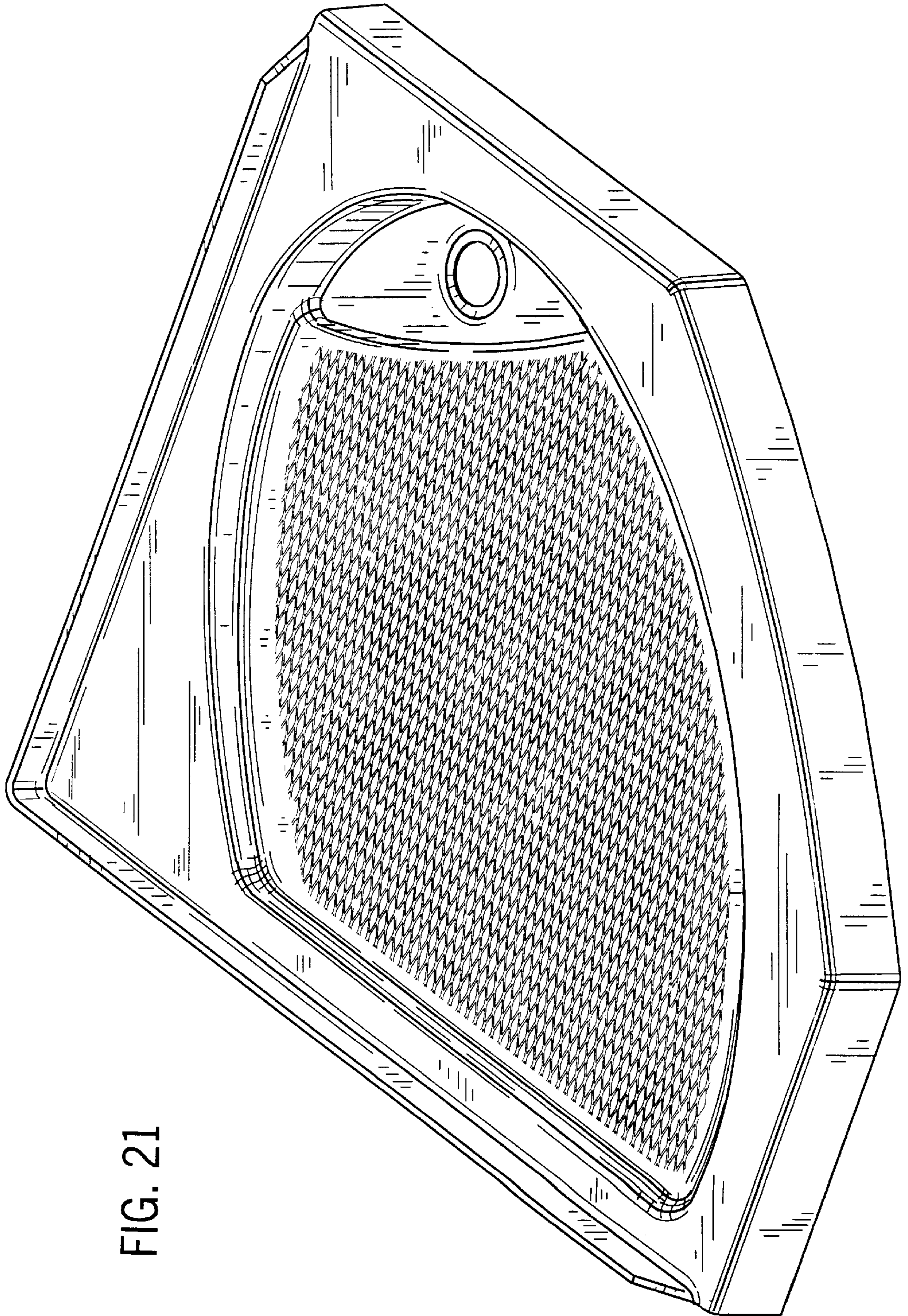


FIG. 21



FIG. 22

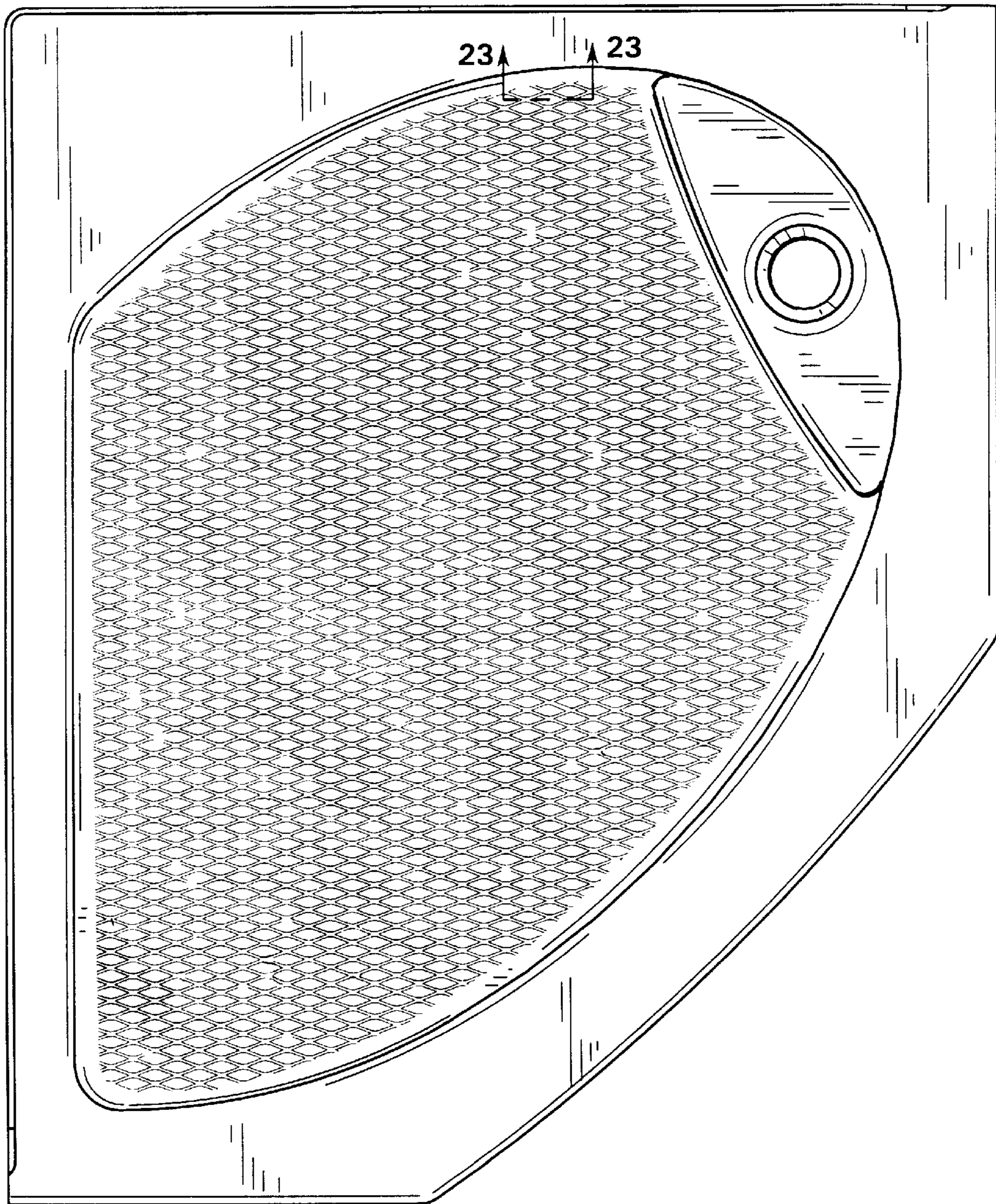


FIG. 23

FIG. 24

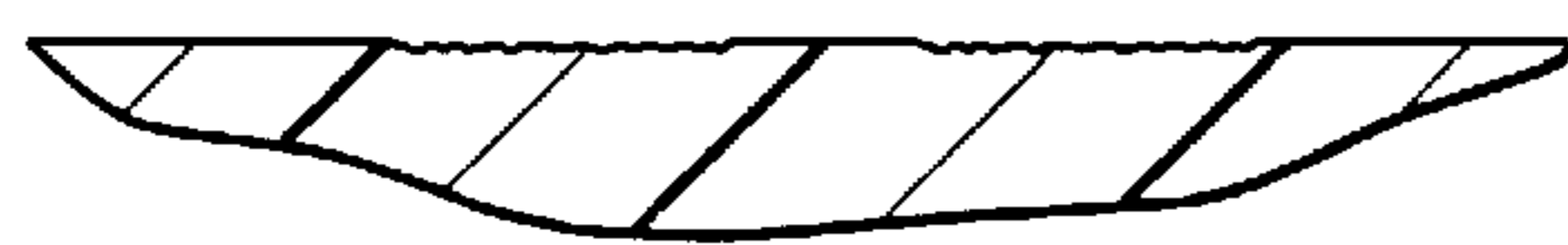
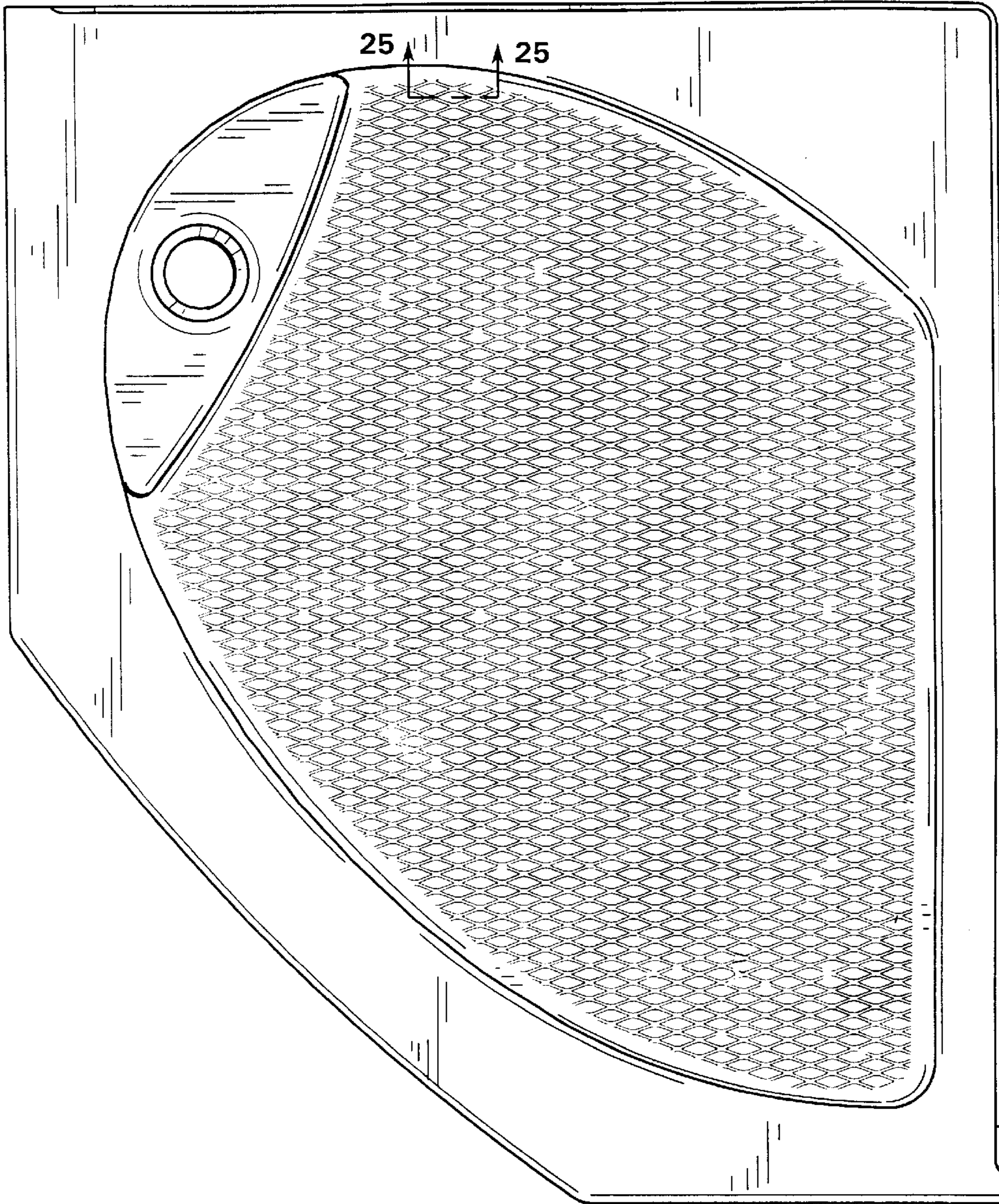


FIG. 25