



US00D434834S

**United States Patent** [19]  
**Goto**

[11] **Patent Number: Des. 434,834**

[45] **Date of Patent: \*\* Dec. 5, 2000**

[54] **PLUG FOR PIPE COUPLING**

11-94169 4/1999 Japan .

[75] Inventor: **Kunihiko Goto**, Tokyo, Japan

**OTHER PUBLICATIONS**

[73] Assignee: **Nitto Kohki Co., Ltd.**, Tokyo, Japan

Imperial Fluid Transmission Components, Catalog No. 114-C, "Male Pipe Thread 45 degree elbow", p. 106, 1982. Imperial-Eastman, Catalog No. 112, Fitting "474-F", p. 38, Aug. 1966.

[\*\*] Term: **14 Years**

[21] Appl. No.: **29/104,179**

*Primary Examiner*—James Gandy  
*Assistant Examiner*—Reid Hecker  
*Attorney, Agent, or Firm*—Wenderoth, Lind & Ponack, L.L.P.

[22] Filed: **Apr. 29, 1999**

[30] **Foreign Application Priority Data**

Dec. 1, 1998 [JP] Japan ..... 10-34514

[51] **LOC (7) Cl.** ..... **23-01**

[57] **CLAIM**

The ornamental design for plug for pipe coupling, as shown.

[52] **U.S. Cl.** ..... **D23/262**

**DESCRIPTION**

[58] **Field of Search** ..... D23/259, 260,  
D23/262, 263, 264; 285/122.1, 271, 272;  
137/615; 251/150

FIG. 1 is a perspective view taken from the top, front and left side of a plug for pipe coupling showing my new design; FIG. 2 is a front elevational view thereof; FIG. 3 is a rear elevational view thereof; FIG. 4 is a left side elevational view thereof; FIG. 5 is a right side elevational view thereof; FIG. 6 is a top plan view thereof; and, FIG. 7 is a bottom plan view thereof.

[56] **References Cited**

**U.S. PATENT DOCUMENTS**

5,507,534 4/1996 Reifenberger et al. .

**FOREIGN PATENT DOCUMENTS**

9-170688 6/1997 Japan .  
10-220658 8/1998 Japan .

**1 Claim, 2 Drawing Sheets**

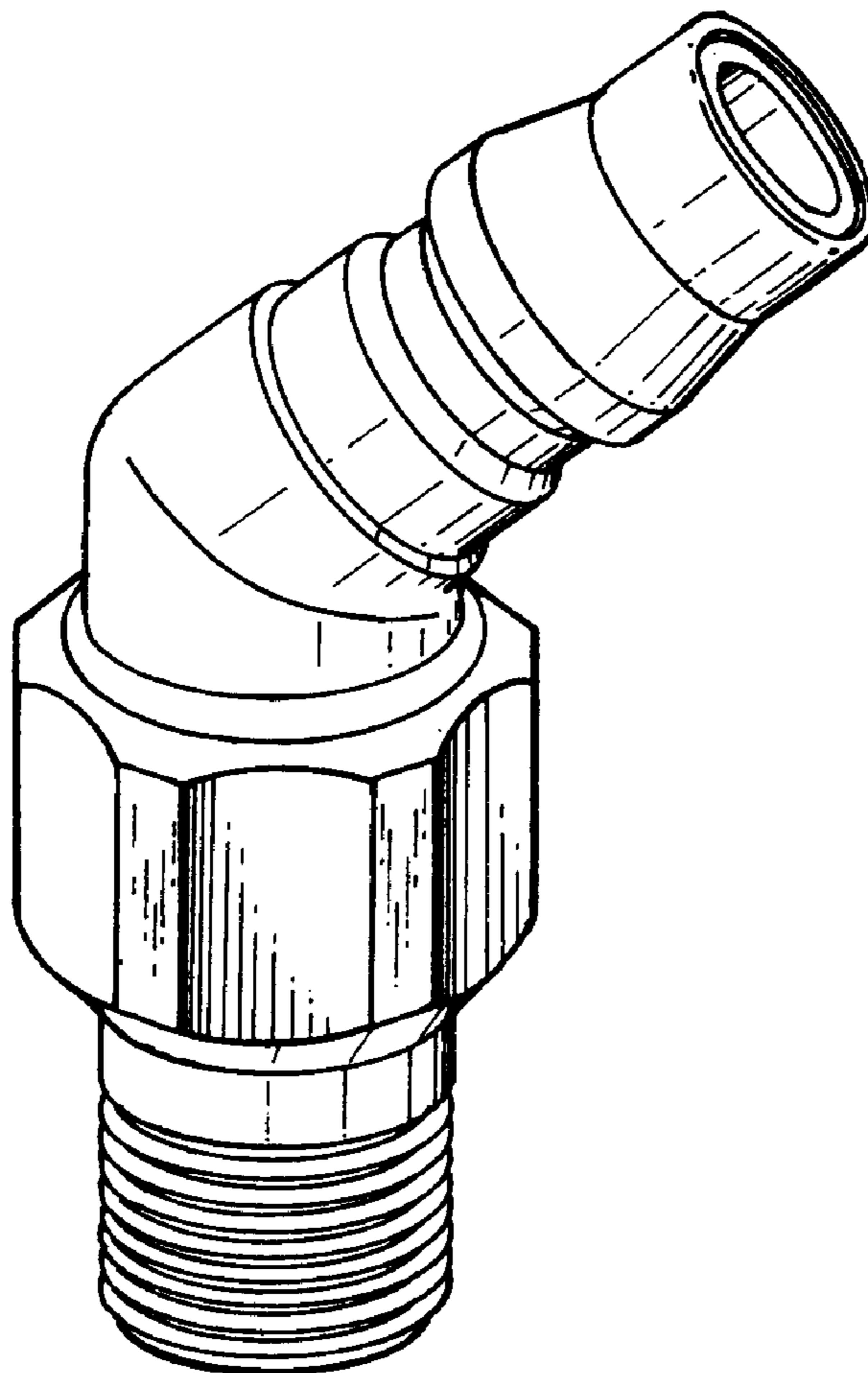


Fig. 1

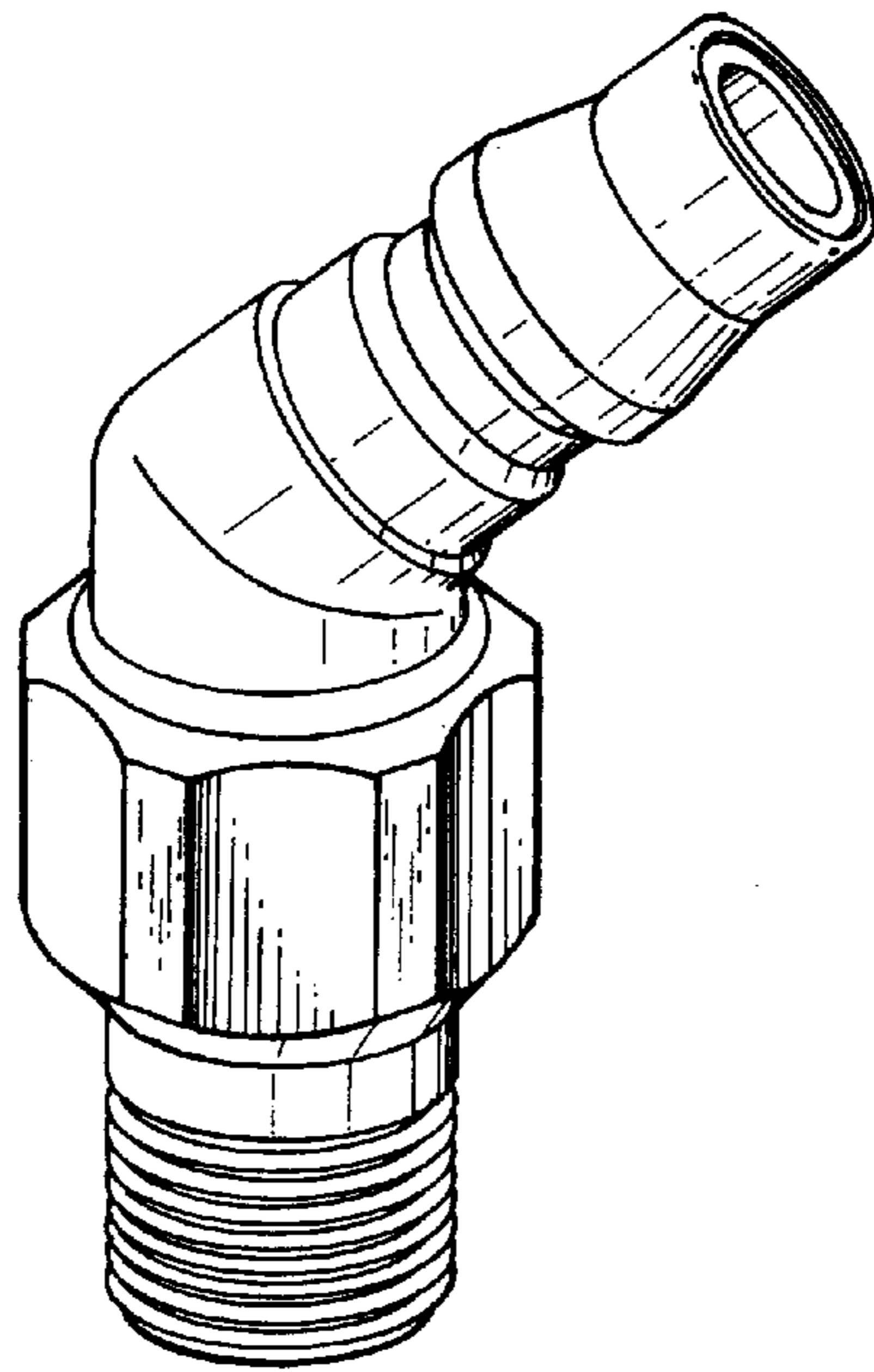


Fig. 2

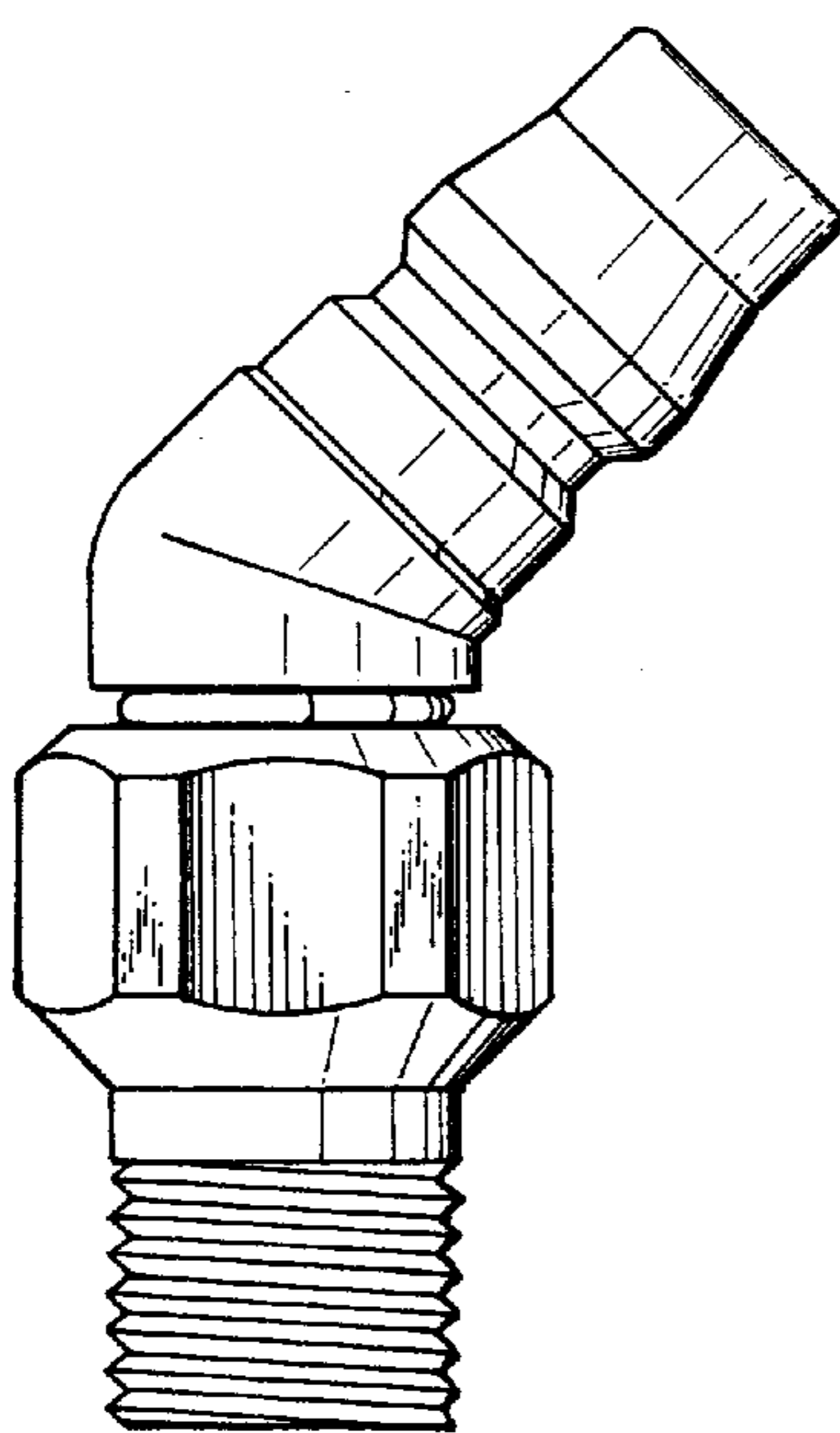


Fig. 3

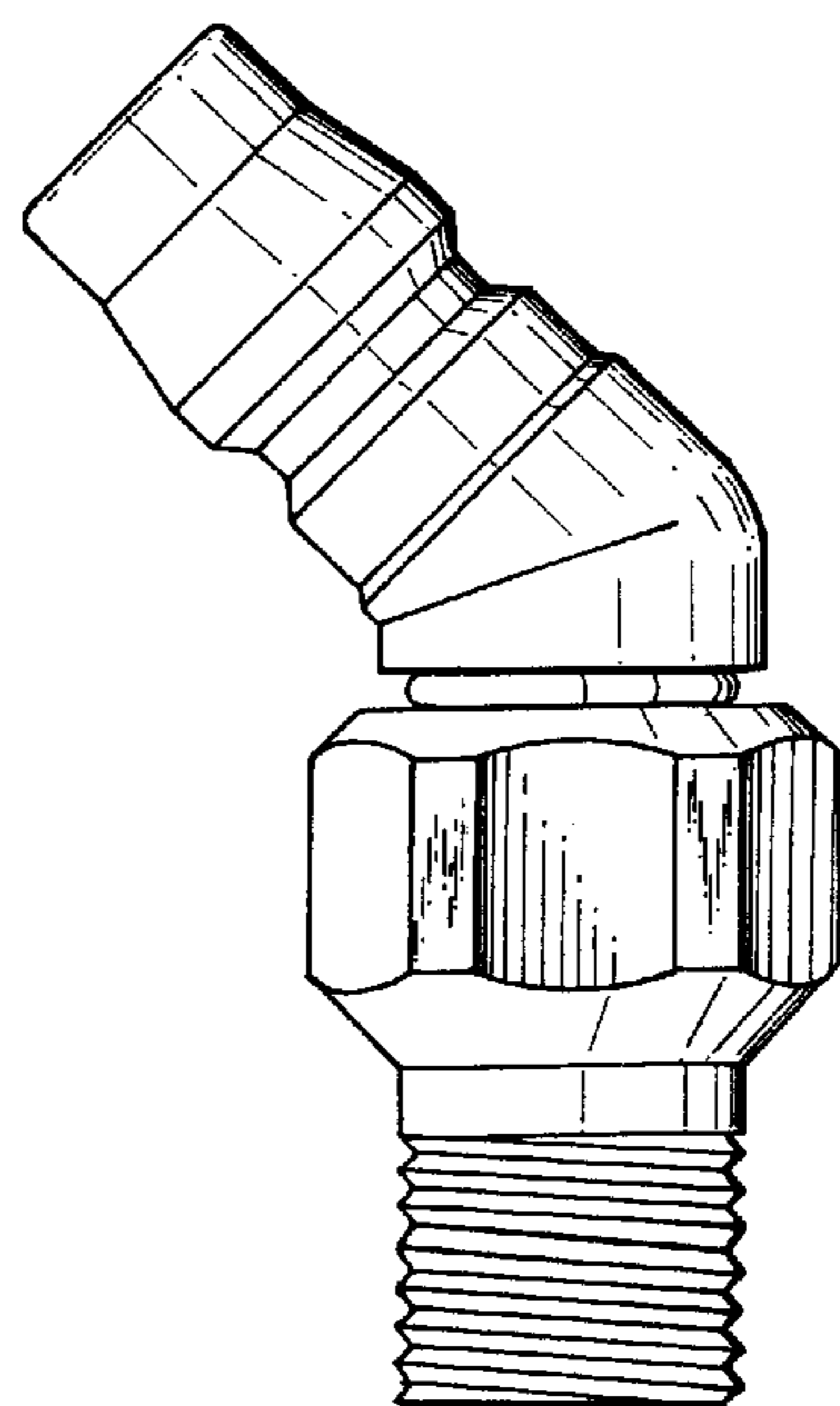


Fig. 4

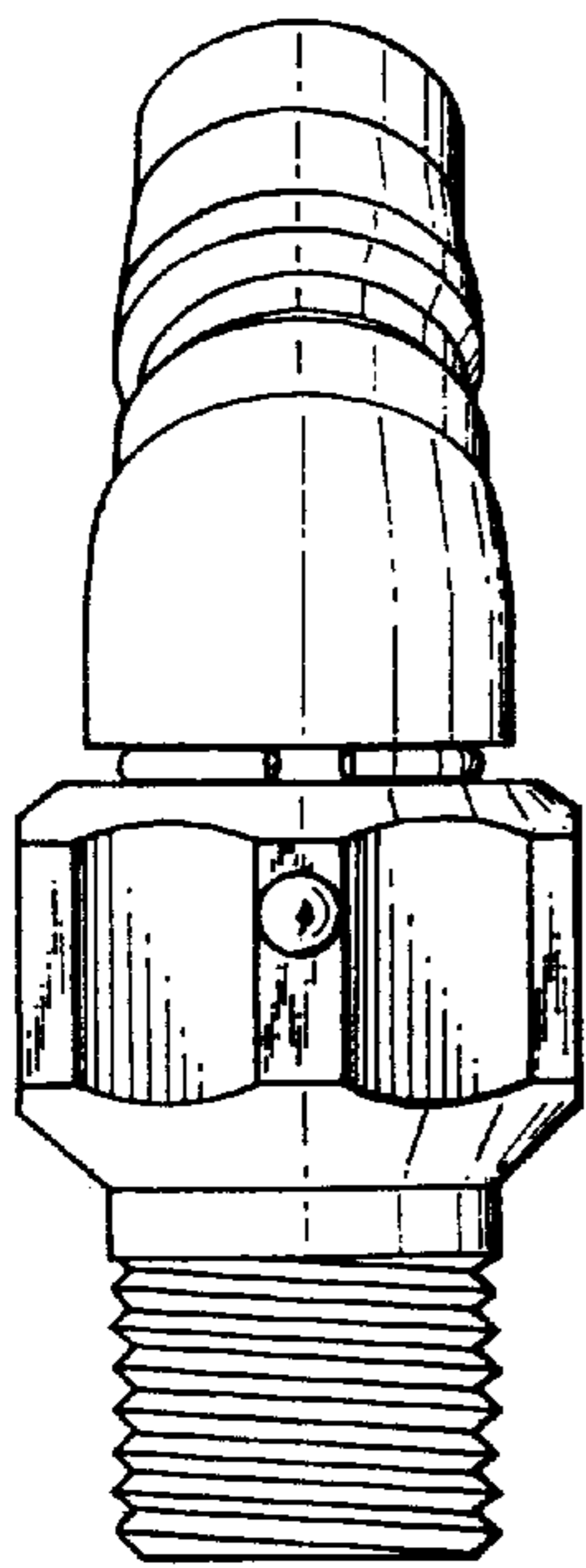


Fig. 5

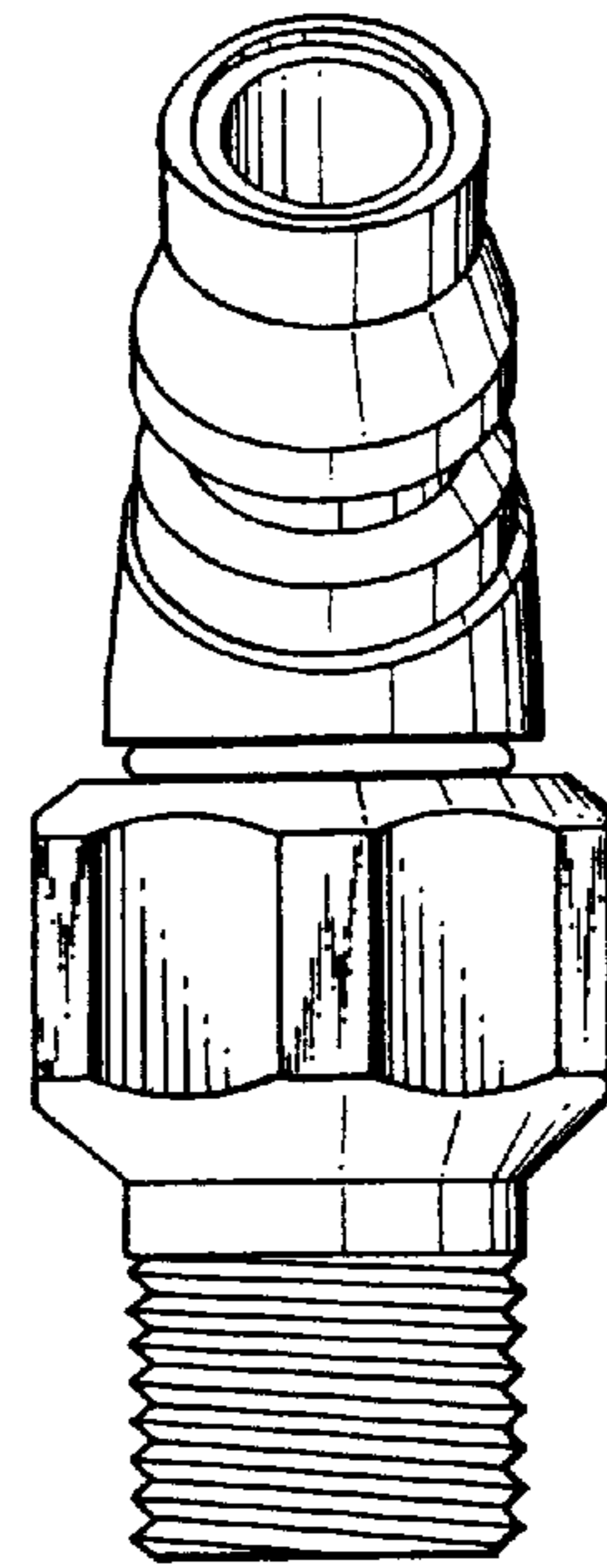


Fig. 6

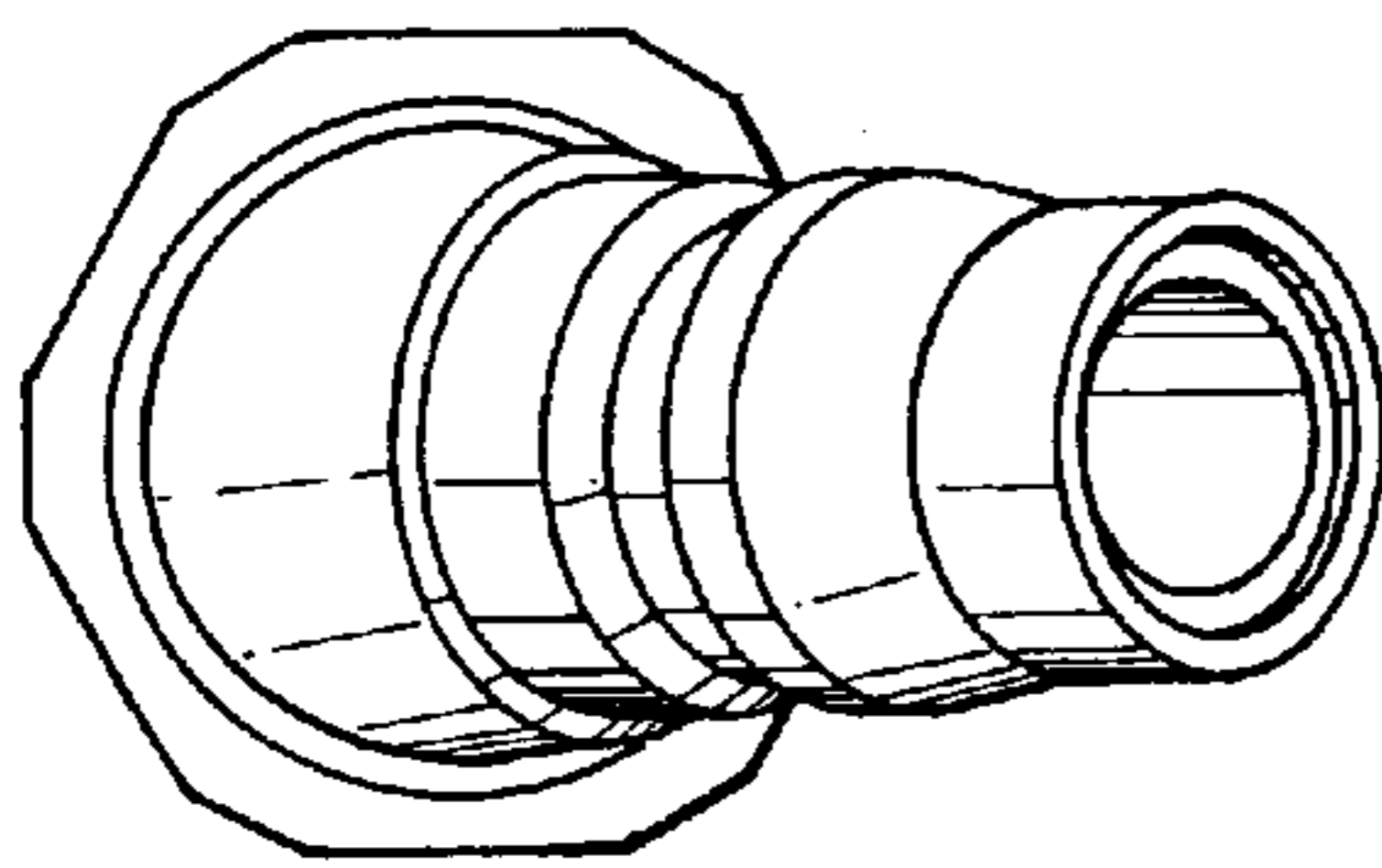


Fig. 7

