



US00D434832S

**United States Patent** [19]  
**Fleischmann**

[11] **Patent Number: Des. 434,832**

[45] **Date of Patent: \*\* Dec. 5, 2000**

[54] **SANITARY FAUCET**

[75] Inventor: **Klaus Fleischmann**, Krefeld, Germany

[73] Assignee: **Hansa Metallwerke AG**, Germany

[\*\*] Term: **14 Years**

[21] Appl. No.: **29/118,899**

[22] Filed: **Feb. 17, 2000**

[30] **Foreign Application Priority Data**

Aug. 20, 1999 [DE] Germany ..... 499 07 675

[51] **LOC (7) Cl.** ..... **23-01**

[52] **U.S. Cl.** ..... **D23/238**

[58] **Field of Search** ..... D23/238-257;  
D8/300-310; 4/675-678; 137/801

[56] **References Cited**

**U.S. PATENT DOCUMENTS**

D. 404,800 1/1999 Lobermeier ..... D23/238

D. 410,068 5/1999 Gottwald ..... D23/238  
D. 411,610 6/1999 Lobermeier ..... D23/238  
D. 421,093 1/1999 Fleischmann ..... D23/238

*Primary Examiner*—Louis S. Zarfes  
*Assistant Examiner*—Gregory Andoll

[57] **CLAIM**

I claim the ornamental design for a sanitary faucet, as shown and described.

**DESCRIPTION**

FIG. 1 is a left side elevation of a sanitary faucet, which is a mirror-image of the right side, showing of my new design; FIG. 2 is a front view thereof; FIG. 3 is a rear view thereof; FIG. 4 is a top view thereof; FIG. 5 is a bottom view thereof; and, FIG. 6 is a perspective view thereof.

**1 Claim, 6 Drawing Sheets**









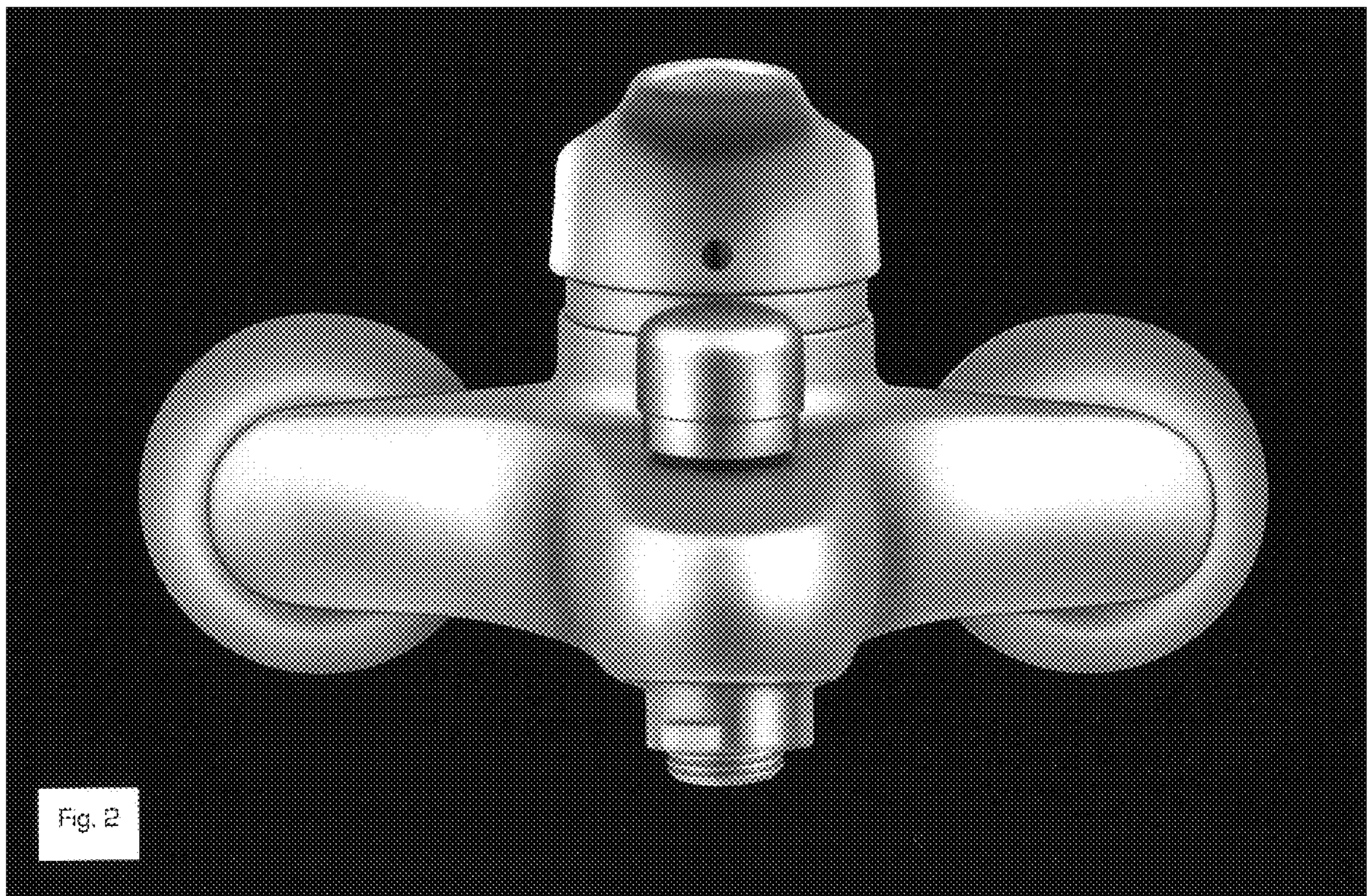
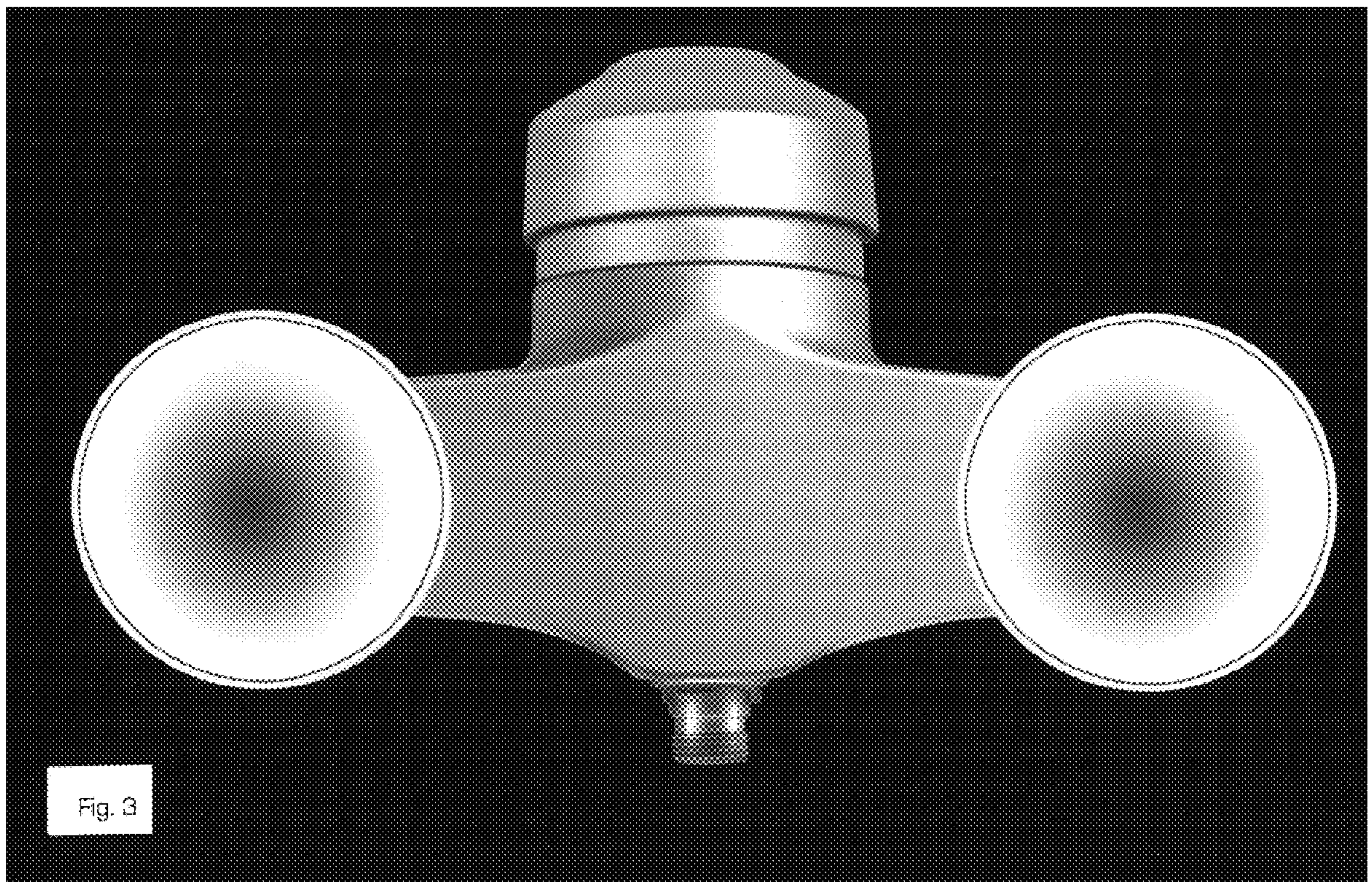
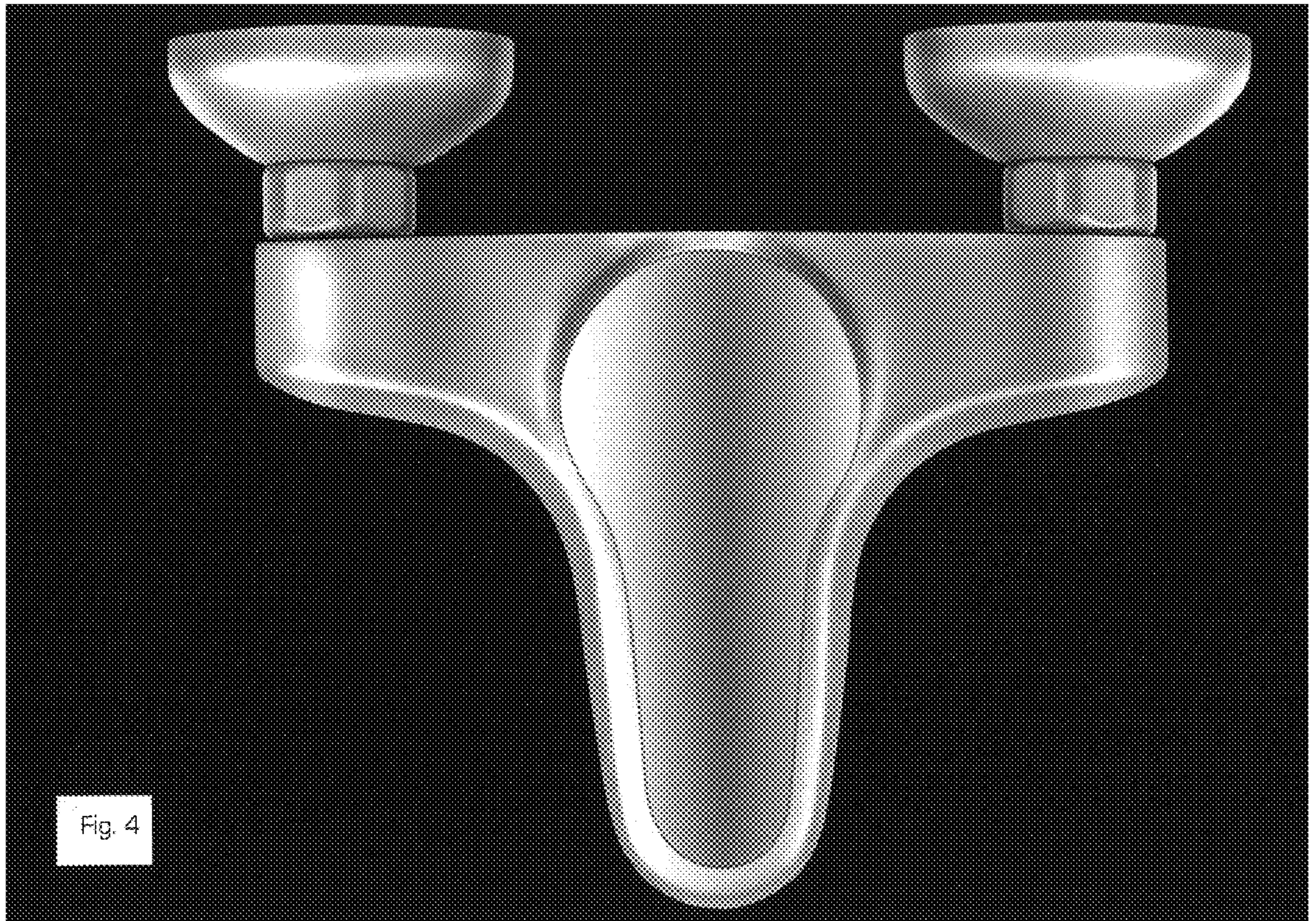


Fig. 2















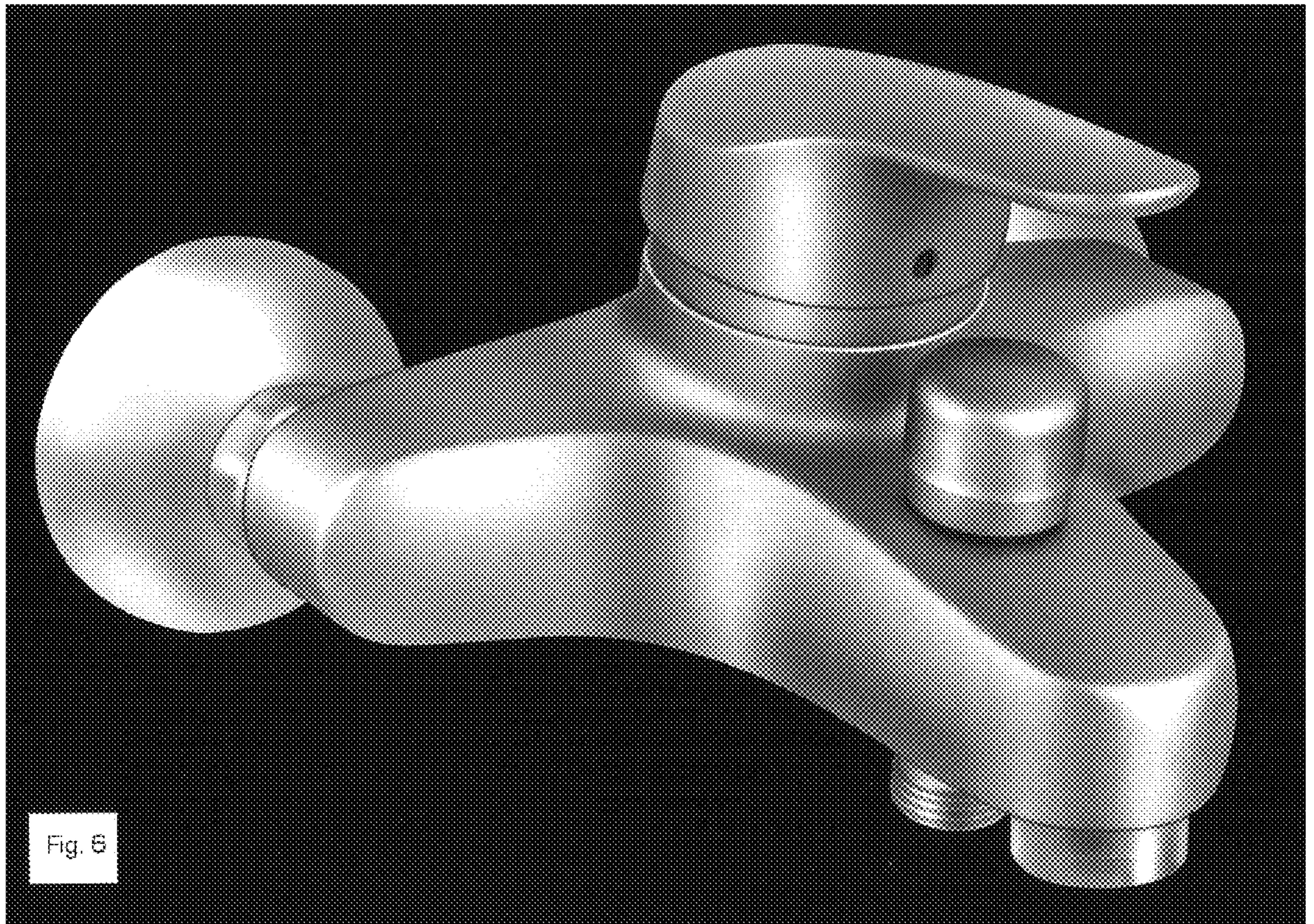


Fig. 6