



US00D434831S

United States Patent [19]

[11] **Patent Number: Des. 434,831**

Okada et al.

[45] **Date of Patent: ** Dec. 5, 2000**

[54] **THERMAL TYPE EXPANSION VALVE**

1,101,339	8/1914	Sohutt .	
2,146,696	2/1939	Eggleston	236/64
3,351,282	11/1967	Miyawaki	236/64
3,661,182	6/1972	Loveless .	
4,671,322	6/1987	Purfurst .	

[75] Inventors: **Satoru Okada**, Hashima; **Kiyotaka Kasugai**, Ogaki, both of Japan

[73] Assignee: **Pacific Industrial Co., Ltd.**, Gifu-Ken, Japan

[**] Term: **14 Years**

Primary Examiner—Robin V. Taylor
Attorney, Agent, or Firm—Trask, Britt

[21] Appl. No.: **29/120,403**

[57] CLAIM

[22] Filed: **Mar. 17, 2000**

The ornamental design for a thermal type expansion valve, as shown and described.

Related U.S. Application Data

[62] Division of application No. 29/098,352, Dec. 28, 1998.

DESCRIPTION

[30] Foreign Application Priority Data

Jun. 29, 1998	[JP]	Japan	10-18745
Jun. 29, 1998	[JP]	Japan	10-18746
Jun. 29, 1998	[JP]	Japan	10-18747

FIG. 1 is a front perspective view of a thermal type expansion valve;

FIG. 2 is a rear elevation view thereof;

FIG. 3 is a front elevational view thereof;

[51] **LOC (7) Cl.** **23-01**

[52] **U.S. Cl.** **D23/233**

FIG. 4 is a right side view thereof, the left side view being a mirror image of the right side view;

[58] **Field of Search** 137/625.48; 236/53, 236/63, 64, 66; D23/233-237, 244-5

FIG. 5 is a top plan view thereof; and,

FIG. 6 is a bottom plan view thereof.

[56] References Cited

U.S. PATENT DOCUMENTS

D. 234,369 2/1975 Holban et al. .

1 Claim, 3 Drawing Sheets

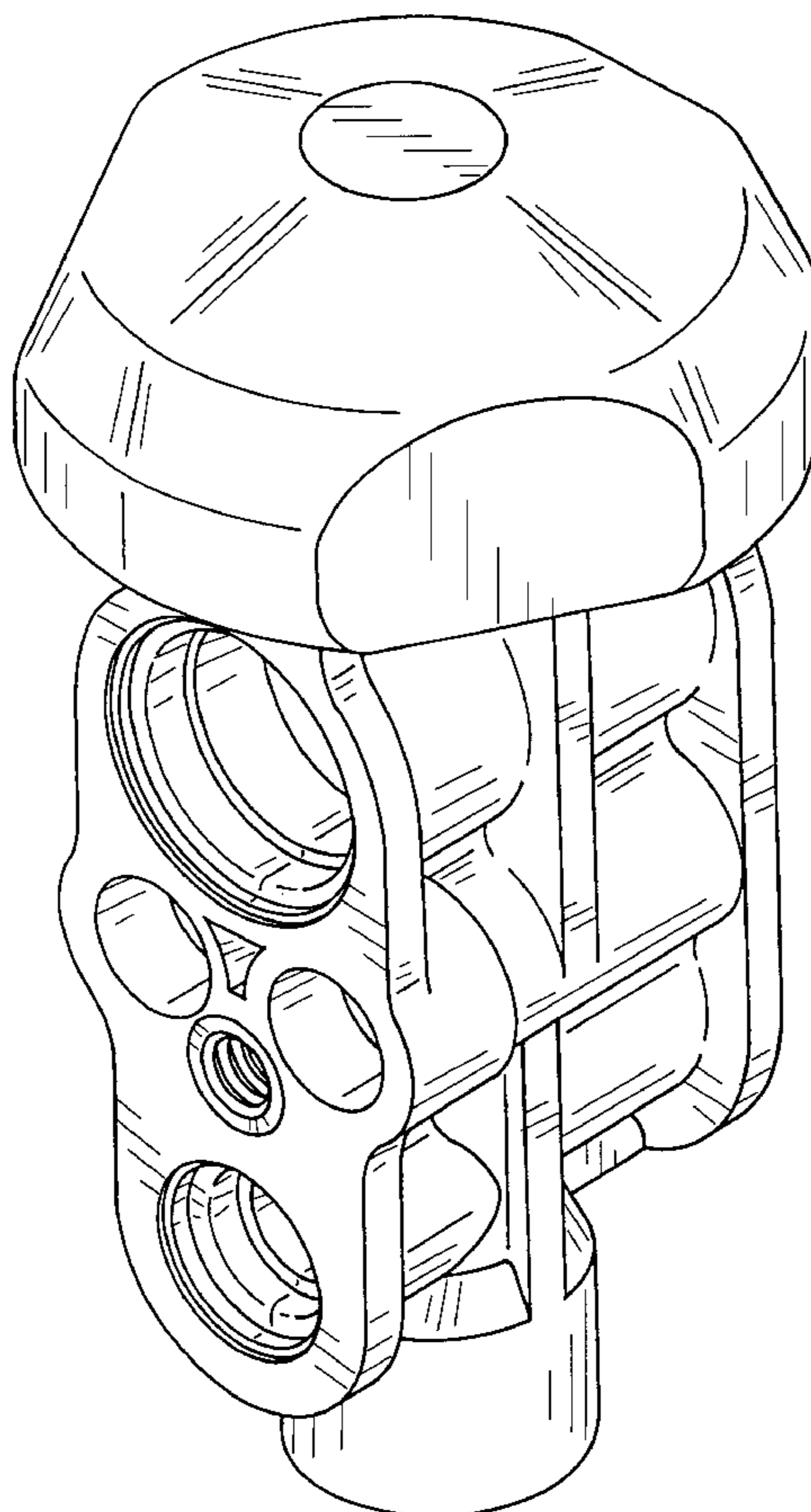


Fig. 1

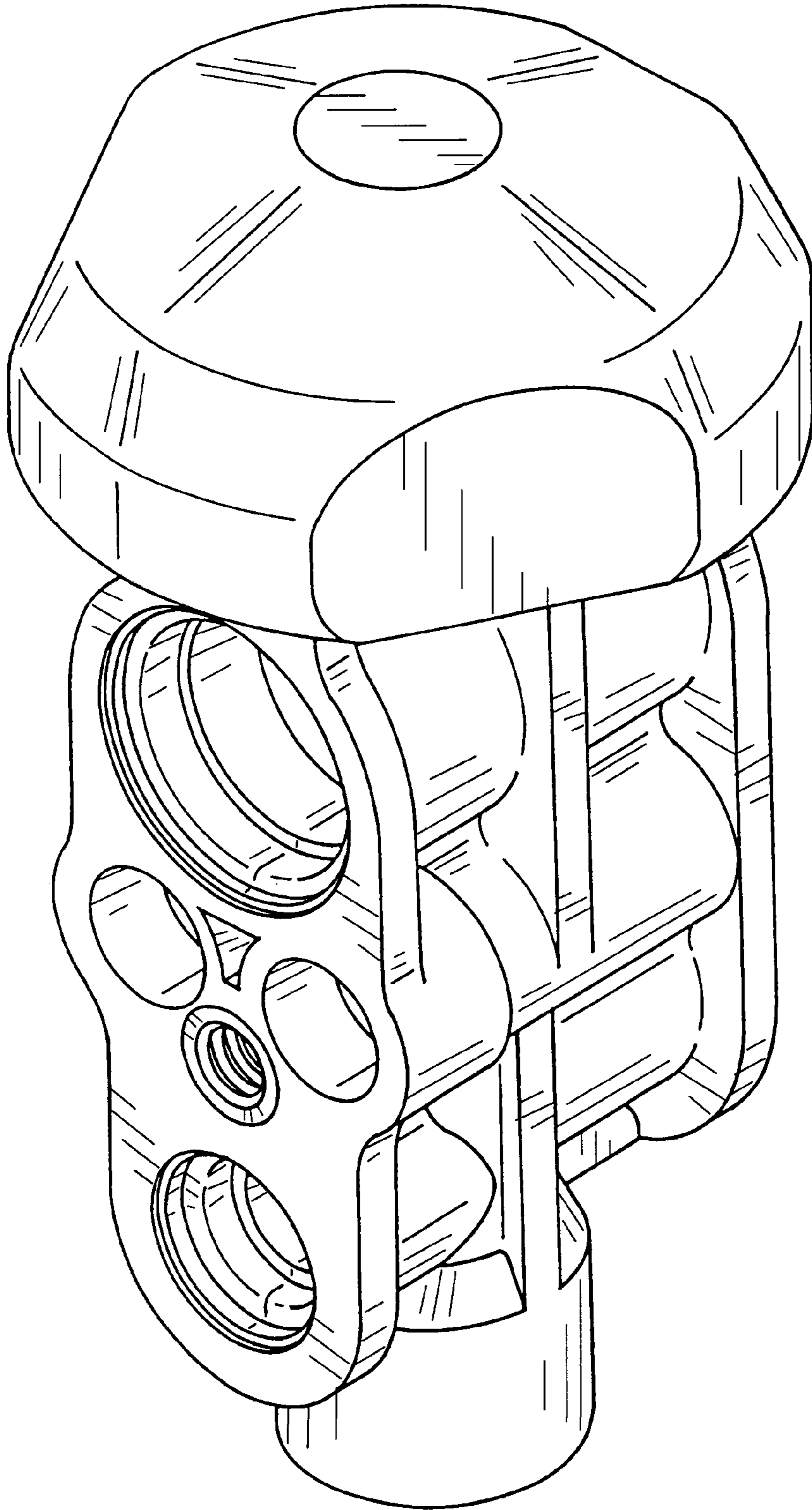


Fig. 3

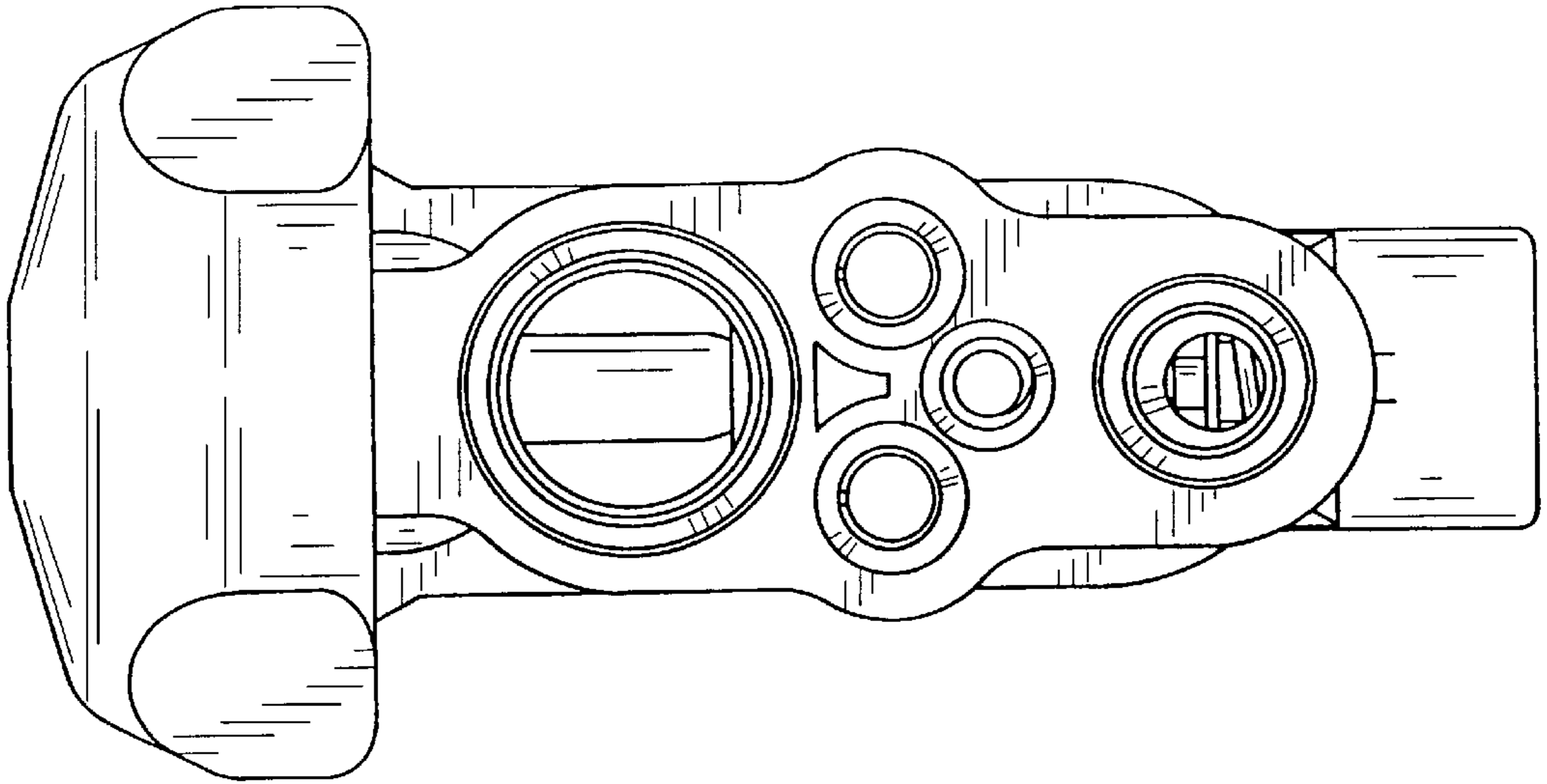


Fig. 2

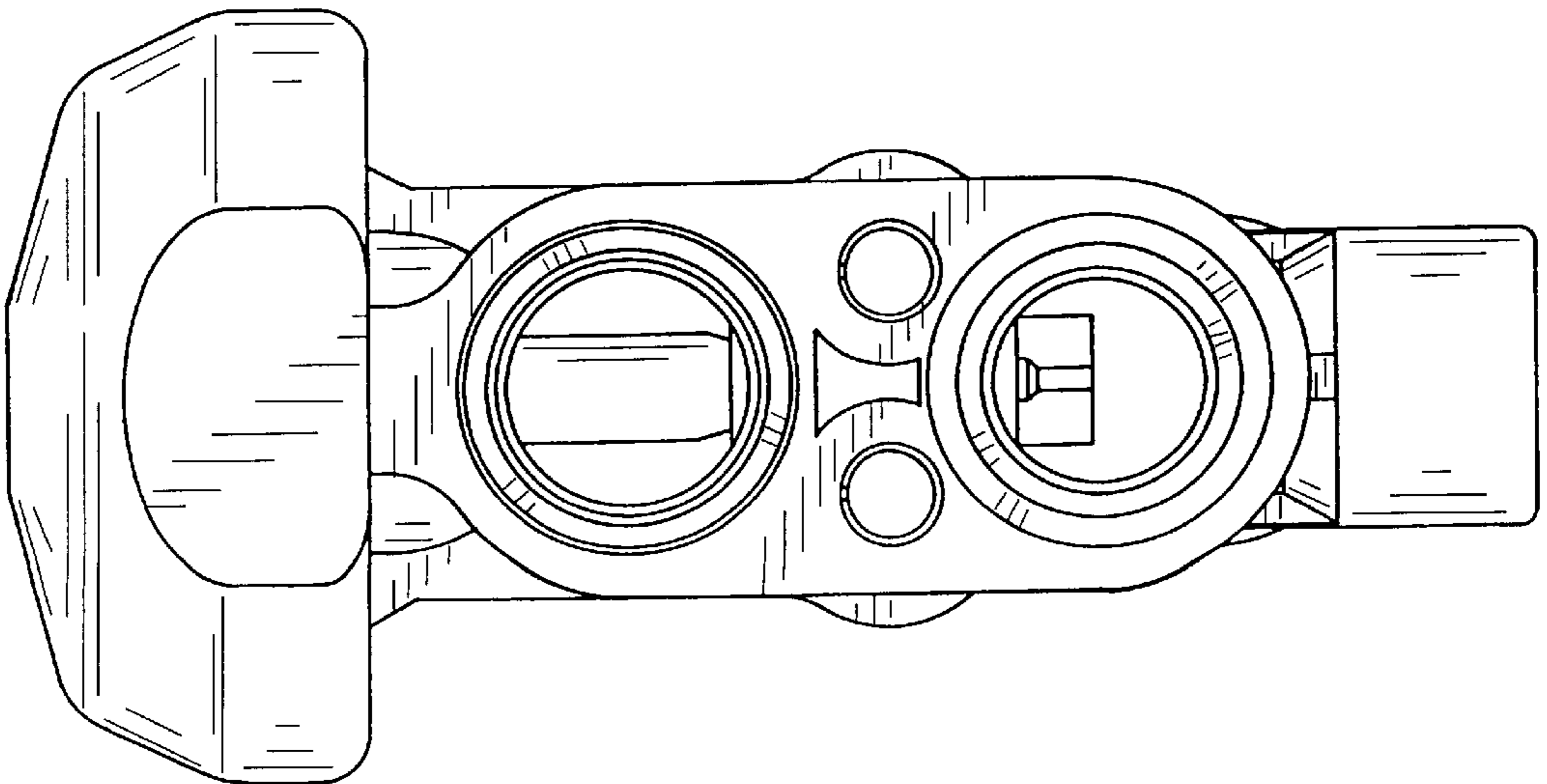


Fig. 5

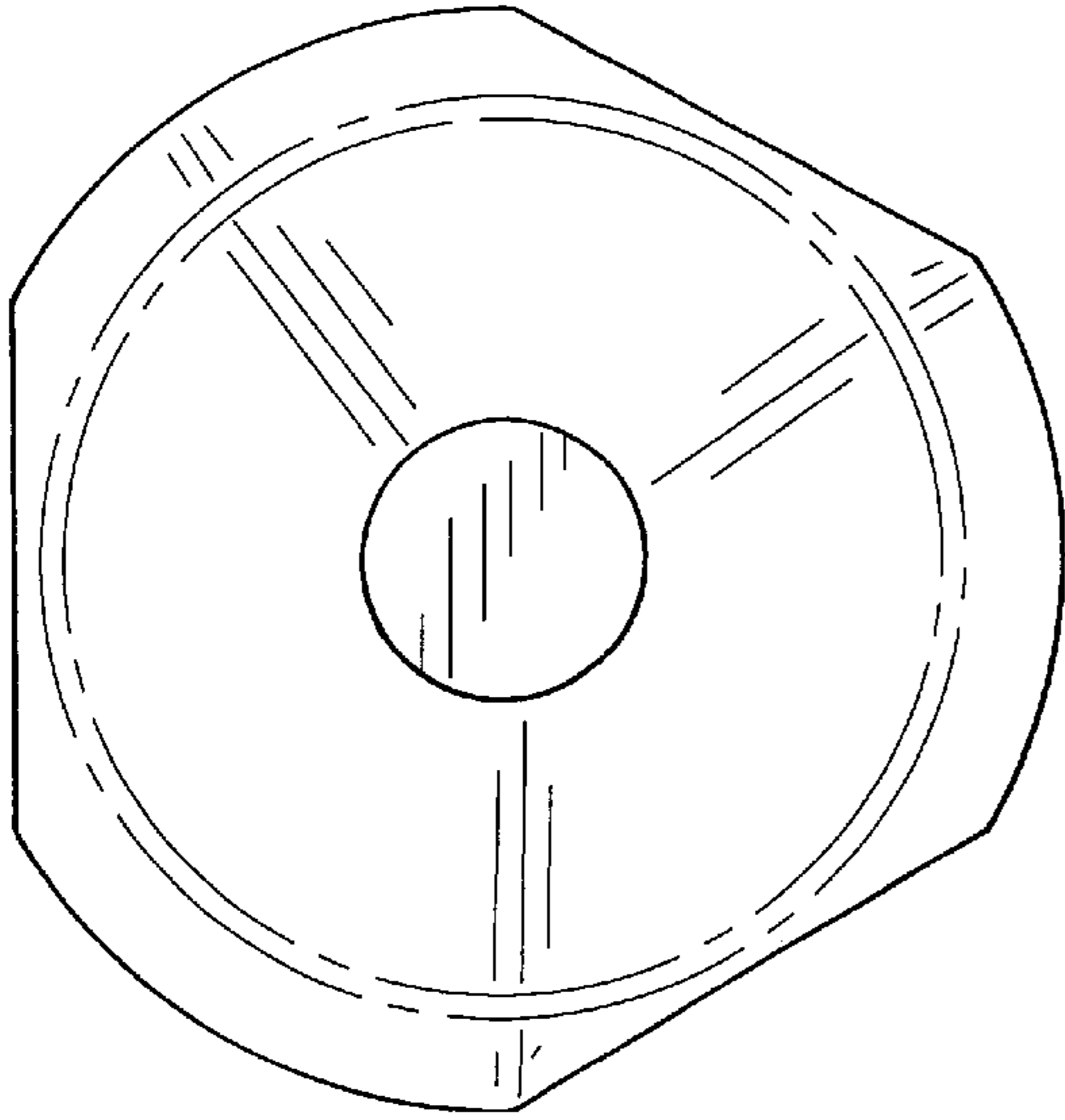


Fig. 6

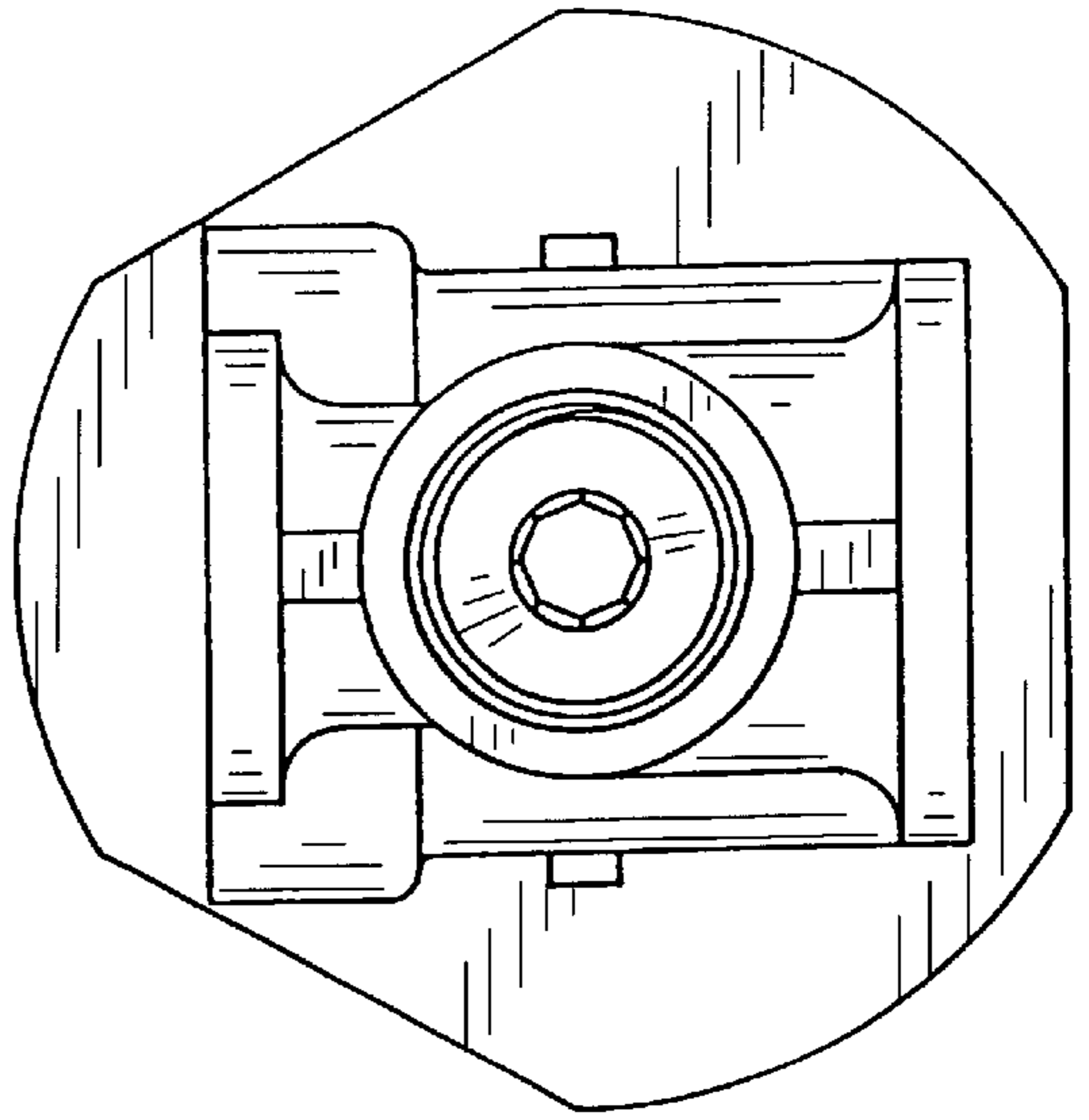


Fig. 4

