



US00D434828S

United States Patent [19]

Ben-Tsur et al.

[11] Patent Number: **Des. 434,828**

[45] Date of Patent: **** Dec. 5, 2000**

[54] **HAND HELD SHOWERHEAD**

[75] Inventors: **Gilad Ben-Tsur**, Gan-Ner, Israel;
Newton J. Phillips, Hillsdale, Mich.

[73] Assignee: **Alsons Corporation**, Hillsdale, Mich.

[**] Term: **14 Years**

[21] Appl. No.: **29/118,726**

[22] Filed: **Feb. 14, 2000**

[51] **LOC (7) Cl.** **23-01**

[52] **U.S. Cl.** **D23/223**

[58] **Field of Search** D23/213, 223,
D23/226, 229, 230; 239/394, 525-528,
461-2

[56] **References Cited**

U.S. PATENT DOCUMENTS

D. 369,205 4/1996 Andrus D23/223

D. 389,558 1/1998 Andrus D23/223
D. 418,200 12/1999 Ben-Tsur D23/223

Primary Examiner—Robin V. Taylor
Attorney, Agent, or Firm—Myron B. Kapustij; Lloyd D. Doigan

[57] **CLAIM**

The ornamental design for a hand held showerhead, as shown and described.

DESCRIPTION

FIG. 1 is a front perspective view of a hand held showerhead showing our new design;
FIG. 2 is a front elevational view thereof;
FIG. 3 is a top plan view thereof;
FIG. 4 is a left side elevational view thereof;
FIG. 5 is a bottom plan view thereof;
FIG. 6 is a right side elevational view thereof; and,
FIG. 7 is a rear elevational view thereof.

1 Claim, 4 Drawing Sheets



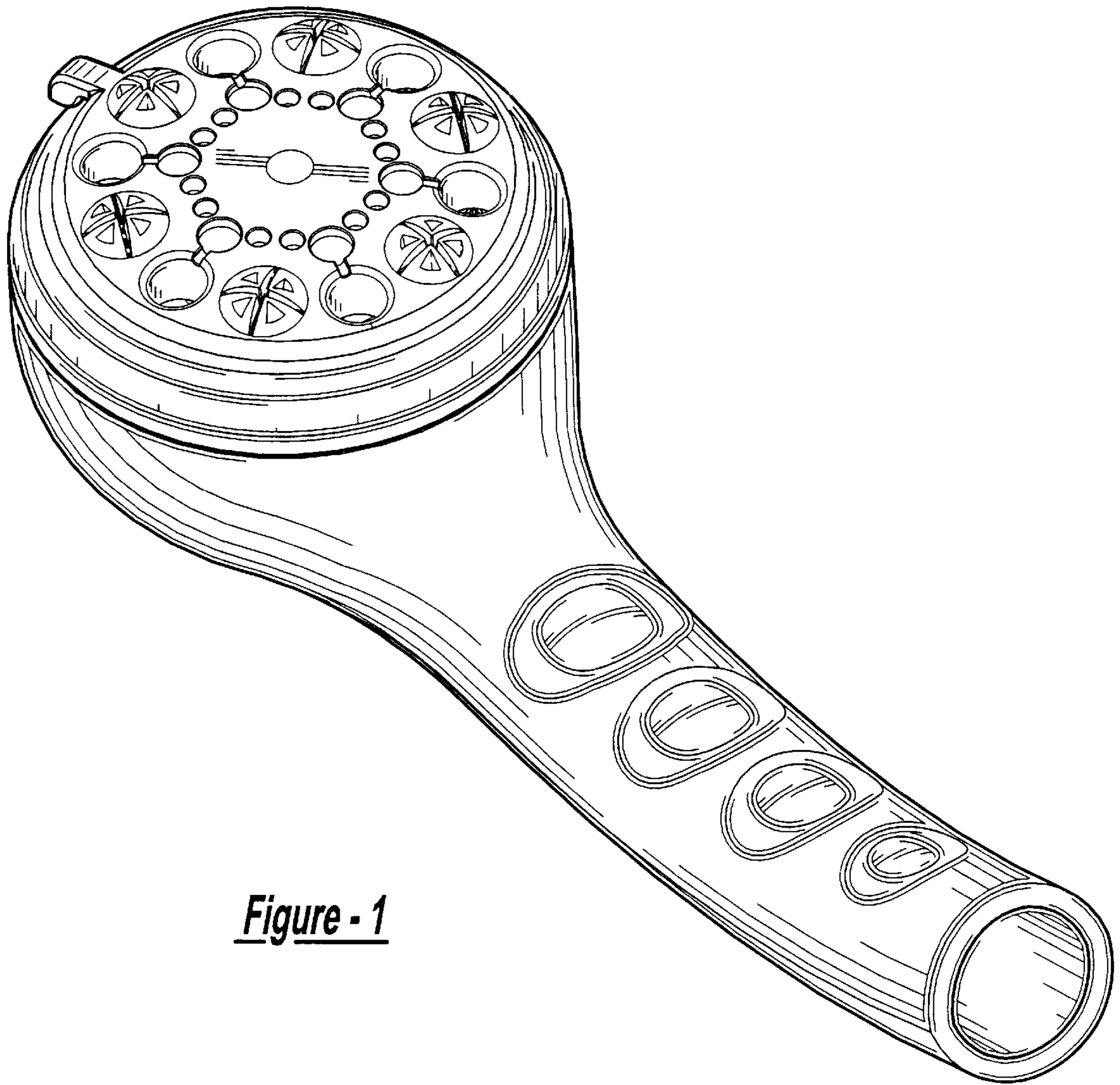


Figure - 1

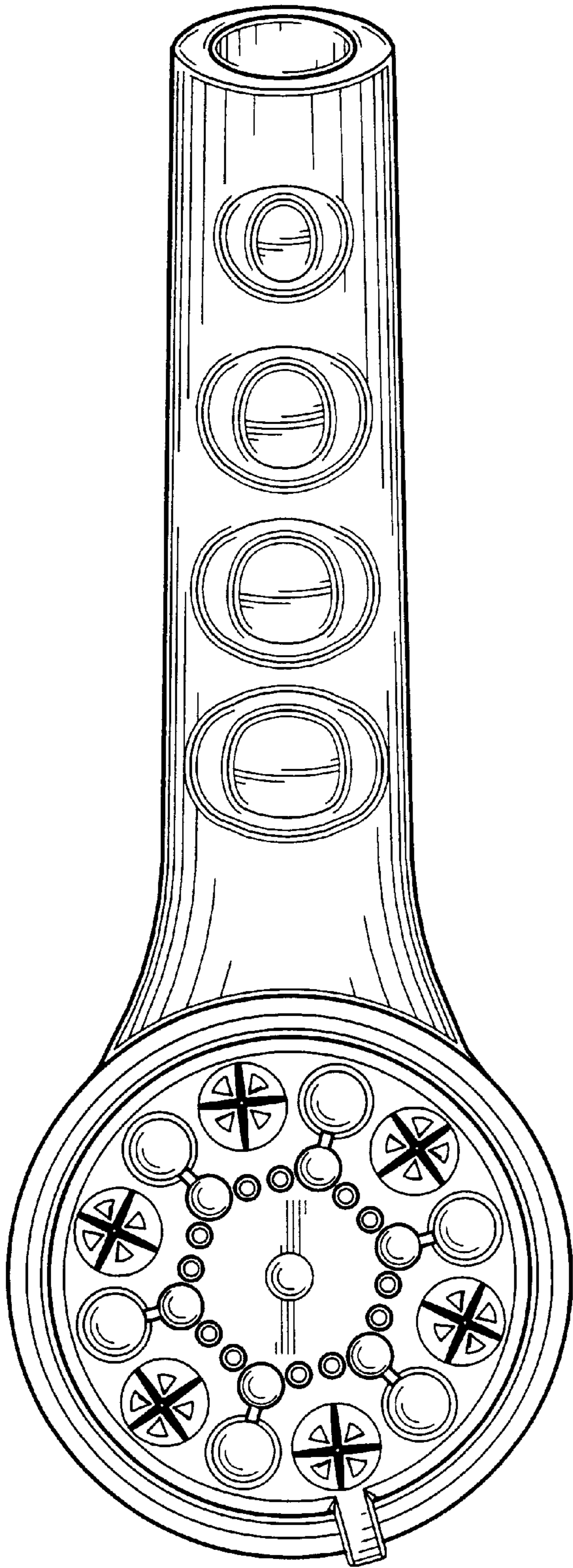


Figure - 2

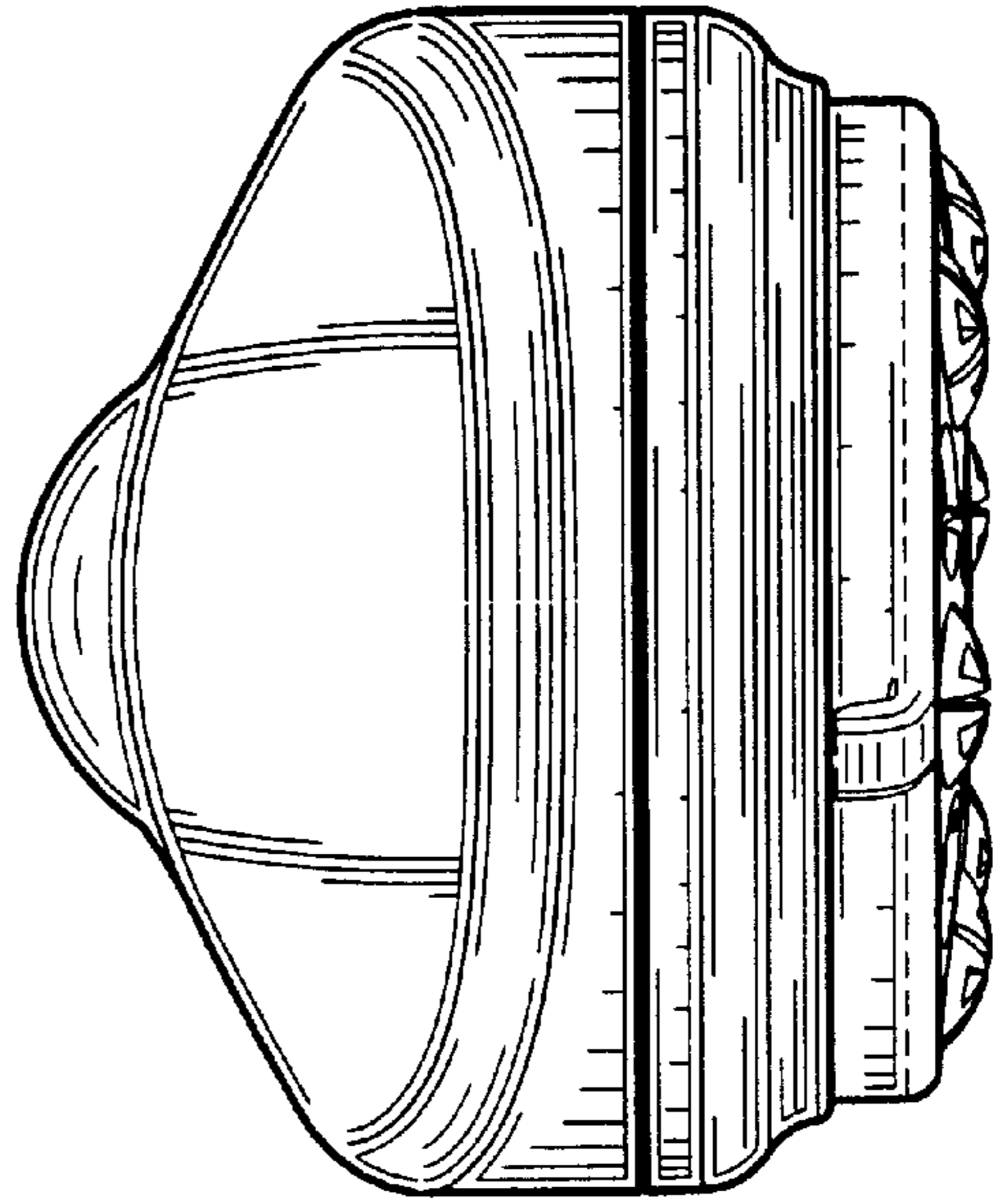


Figure - 3

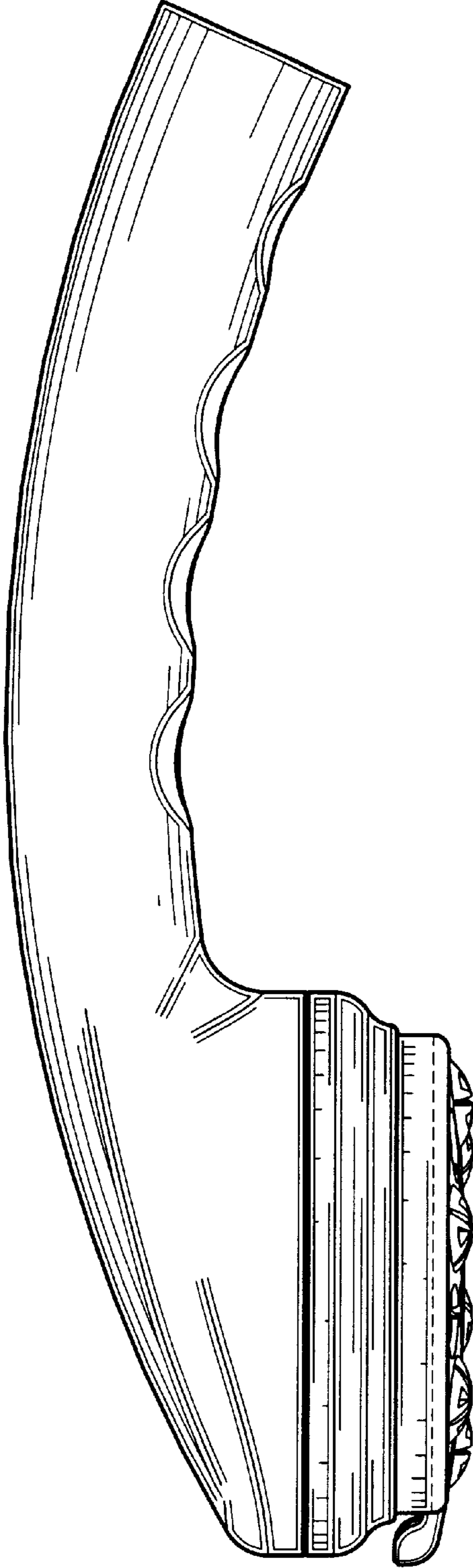


Figure - 4

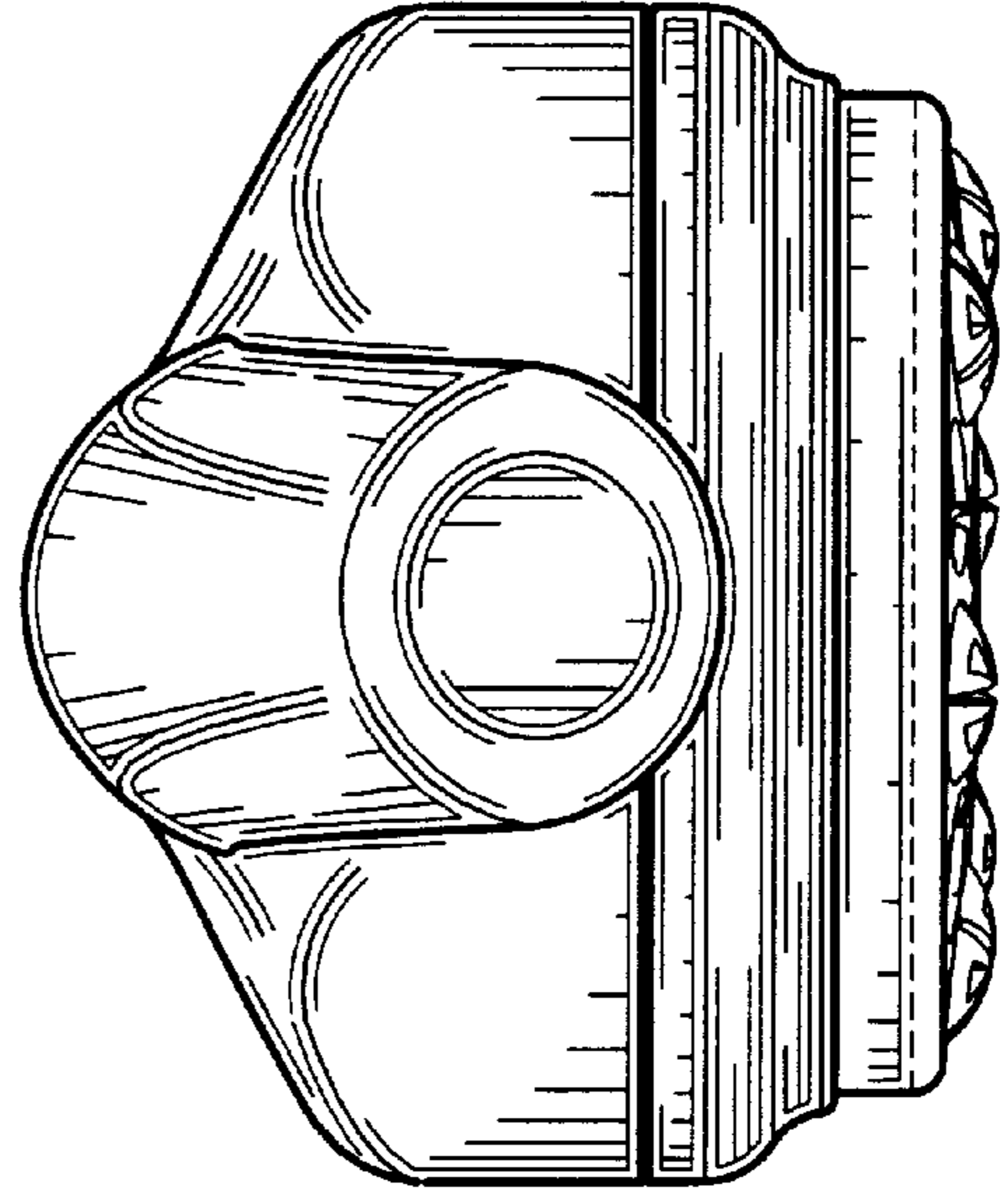


Figure - 5

Figure - 6

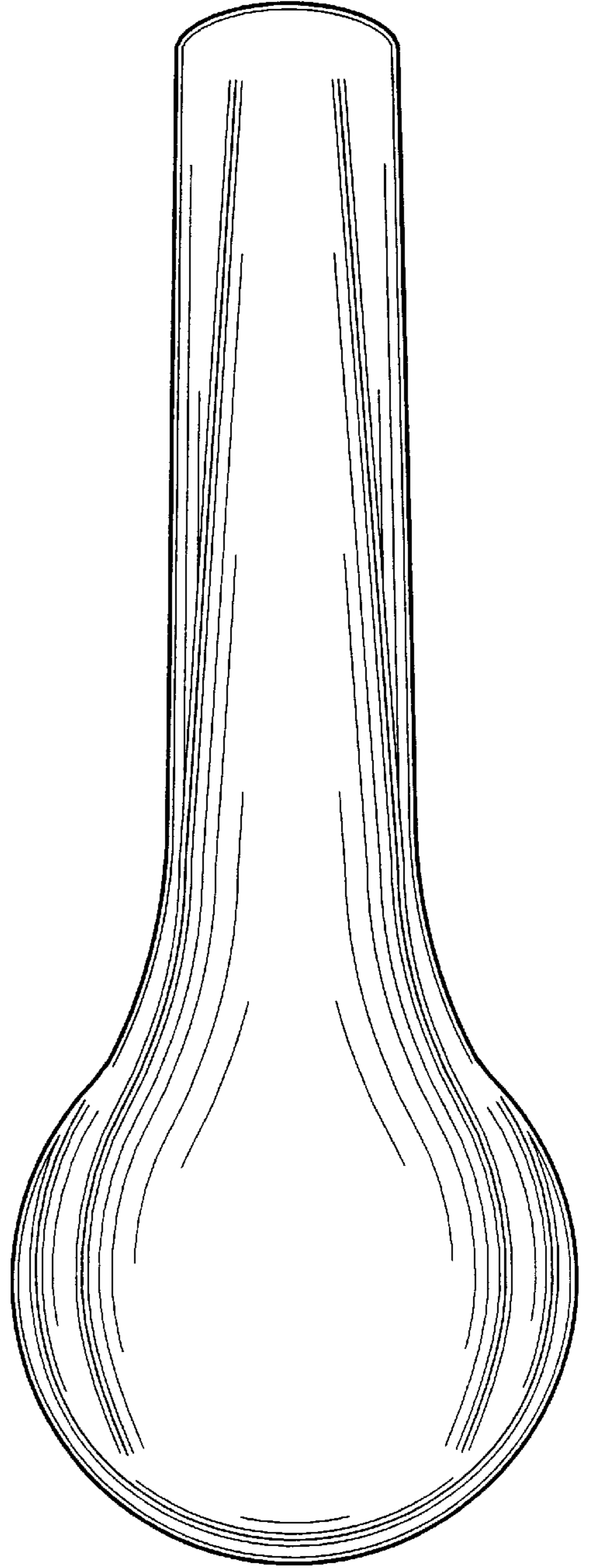
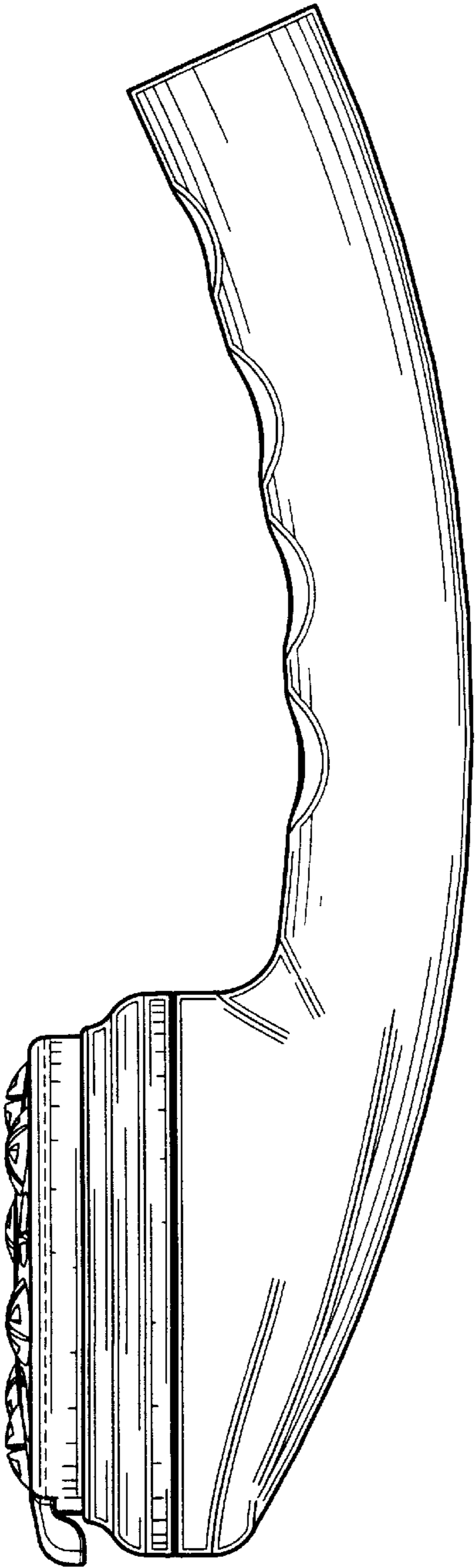


Figure - 7