



US00D434827S

United States Patent [19]

Zimmerman et al.

[11] Patent Number: **Des. 434,827**

[45] Date of Patent: **** Dec. 5, 2000**

[54] **DISPLAY PANEL FOR A WATER SOFTENER**

D. 417,254 11/1999 Daws et al. D23/209
4,313,825 2/1982 Fleckenstein 210/89

[75] Inventors: **Jeff Zimmerman**, Forest Lake; **Mike Drager**, St. Paul; **Mike Hanson**, Circle Pines; **Paul Myhre**, Woodbury; **Mark Rolfes**, Bloomington, all of Minn.

Primary Examiner—Robin V. Taylor
Attorney, Agent, or Firm—Piper, Marbury, Rudnick & Wolfe

[73] Assignee: **Ecowater Systems, Inc.**, St. Paul, Minn.

[57] **CLAIM**

The ornamental design for a display panel for a water softener, as shown and described.

[**] Term: **14 Years**

DESCRIPTION

[21] Appl. No.: **29/120,752**

FIG. 1 is a right, front perspective view for a display panel for a water softener showing our new design, the phantom line showing of part of a water softener tank is for illustrative purposes only and forms no part of the claimed design; FIG. 2 is a top plan view thereof; FIG. 3 is a front plan view thereof; and, FIG. 4 is a right side elevational view thereof, the left side elevational view is a mirror image of the right side elevational view shown.

[22] Filed: **Mar. 24, 2000**

[51] **LOC (7) Cl.** **23-01**

[52] **U.S. Cl.** **D23/207**

[58] **Field of Search** D23/200, 207,
D23/209; 210/85, 89, 190

The back elevational view and the bottom plan view of the panel are hereby disclaimed.

[56] **References Cited**

U.S. PATENT DOCUMENTS

D. 200,995 4/1965 Hiers et al. D23/207
D. 336,051 6/1993 Drager et al. D23/207

1 Claim, 2 Drawing Sheets

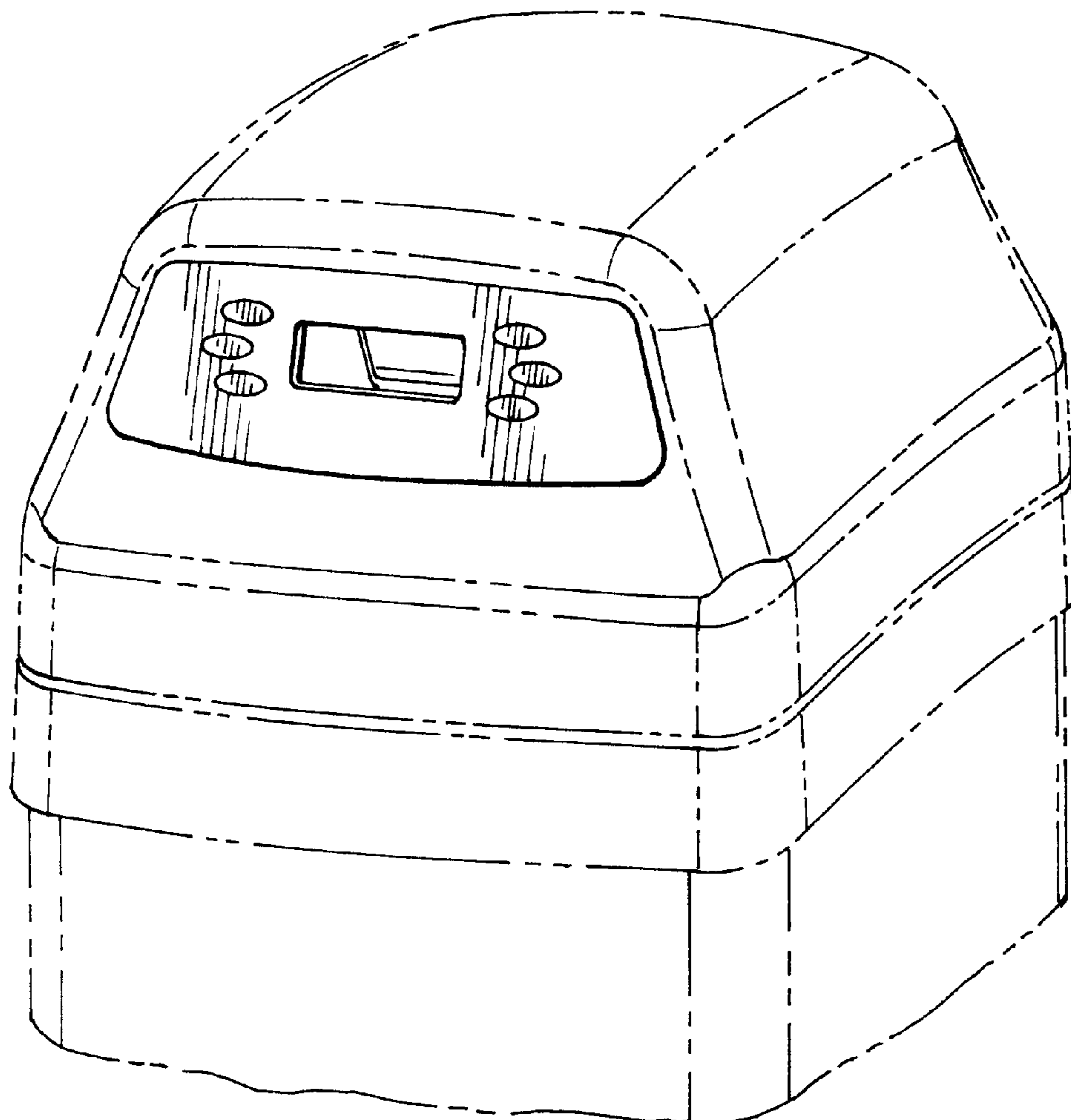


FIG.1

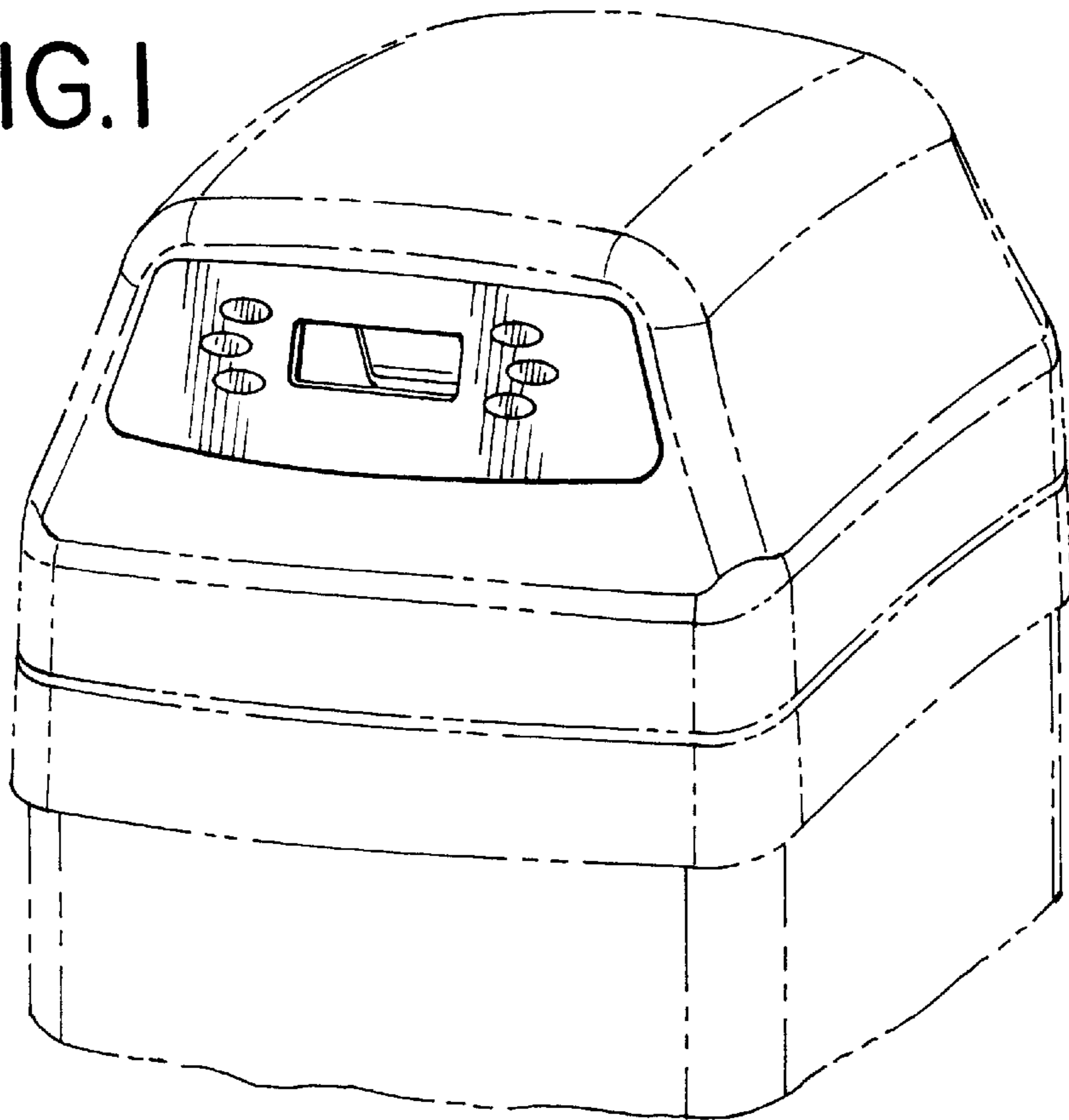


FIG.2

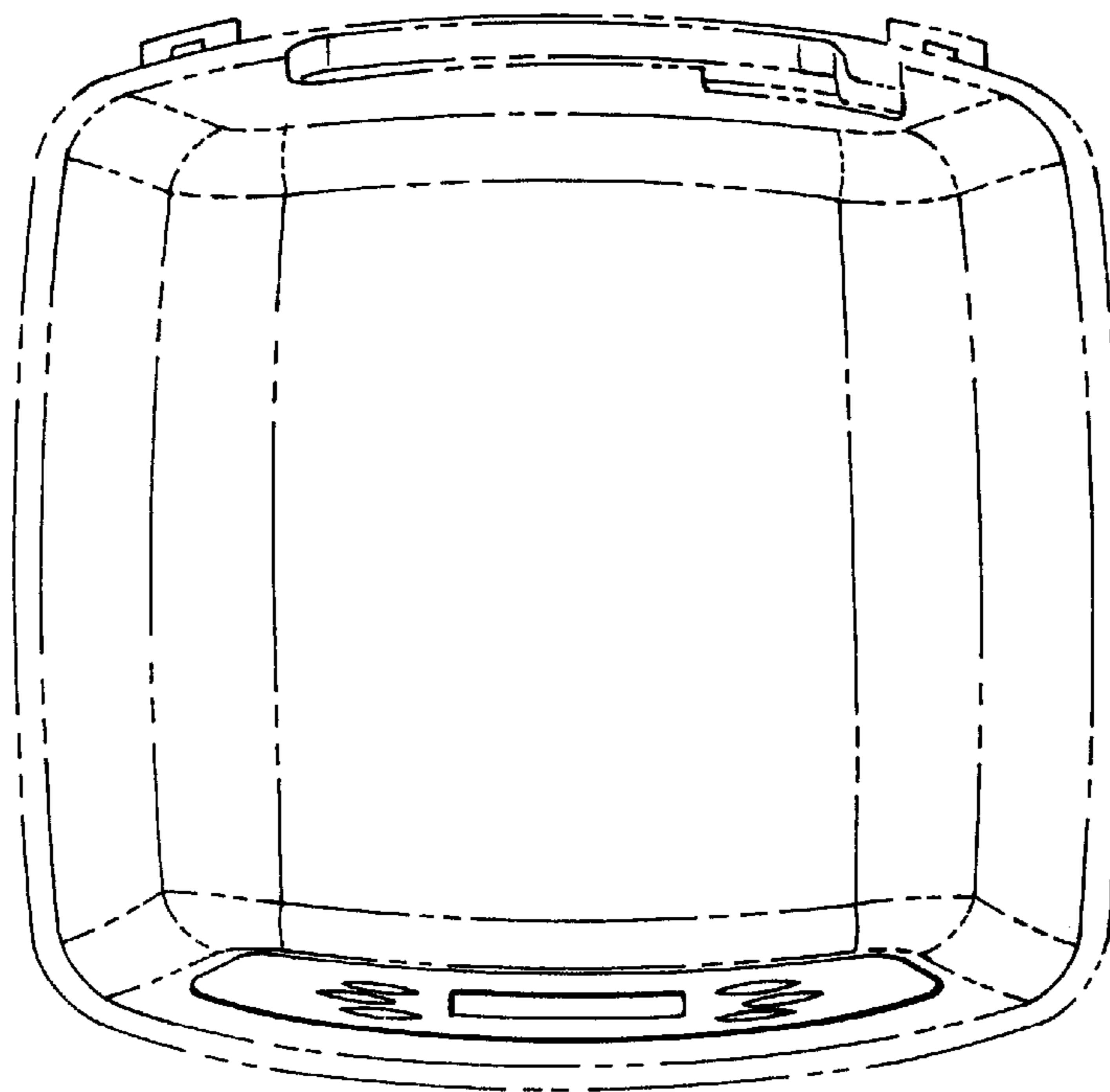


FIG.3

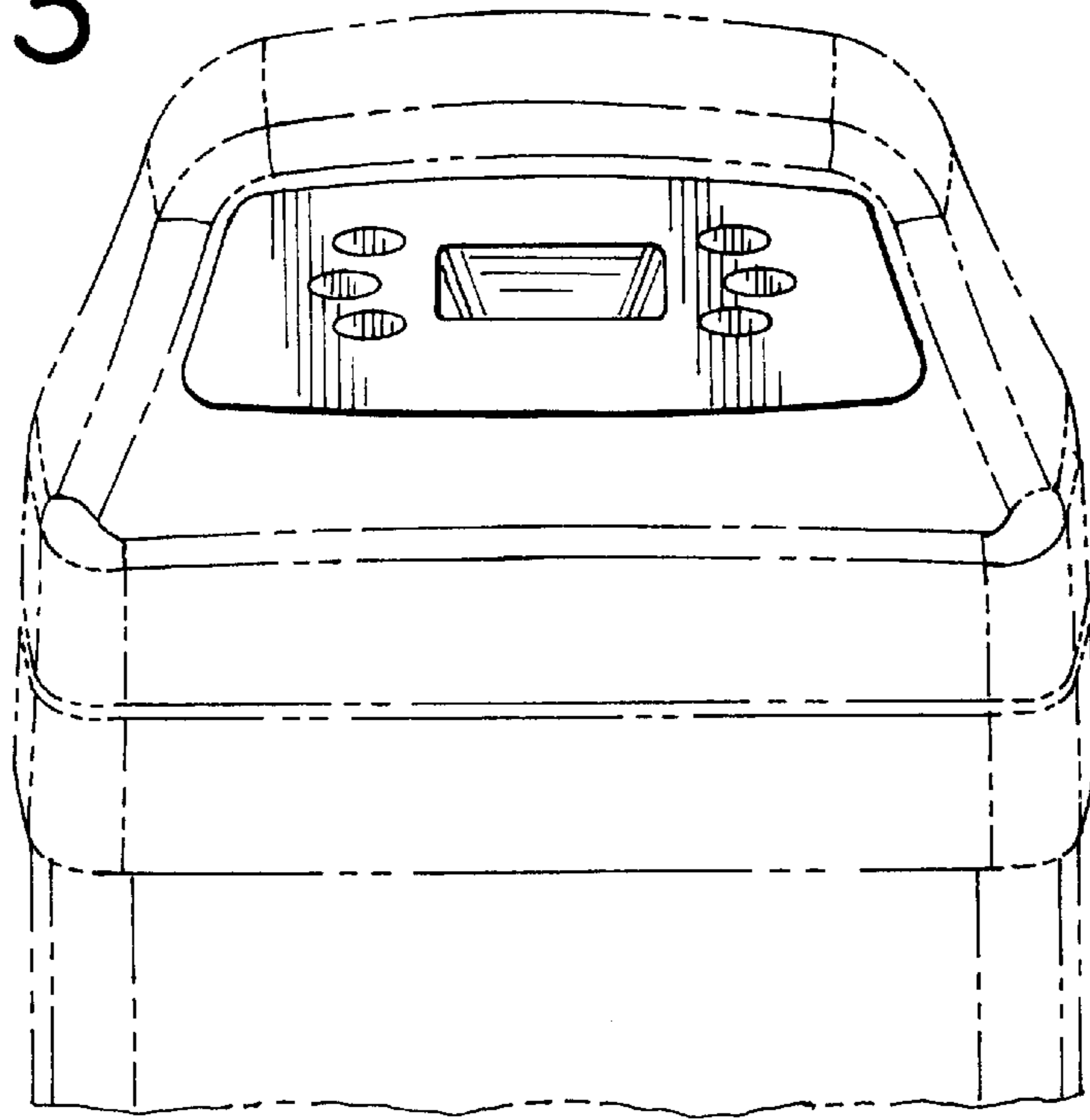


FIG.4

