



US00D434826S

# United States Patent [19]

Hsu et al.

[11] Patent Number: Des. 434,826

[45] Date of Patent: \*\* Dec. 5, 2000

[54] BI-LEVEL POOL WITH SHADE

[75] Inventors: Yaw-Yuan Hsu, Taipei; Chin-Hsiang Pan, Taipei Hsien; Kun Chao Hsu, Chung Ho, all of Taiwan

[73] Assignee: Intex Recreation Corp., Long Beach, Calif.

[\*\*] Term: 14 Years

[21] Appl. No.: 29/114,131

[22] Filed: Nov. 18, 1999

[51] LOC (7) Cl. .... 21-03

[52] U.S. Cl. .... D21/815

[58] Field of Search ..... D21/815, 816; D25/2; 472/128; 446/153

[56] **References Cited**

U.S. PATENT DOCUMENTS

D. 314,034 1/1991 Young ..... D21/816

Primary Examiner—Mitchell Siegel  
Attorney, Agent, or Firm—Lewis, D’Amato, Brisbois & Bisgaard, LLP

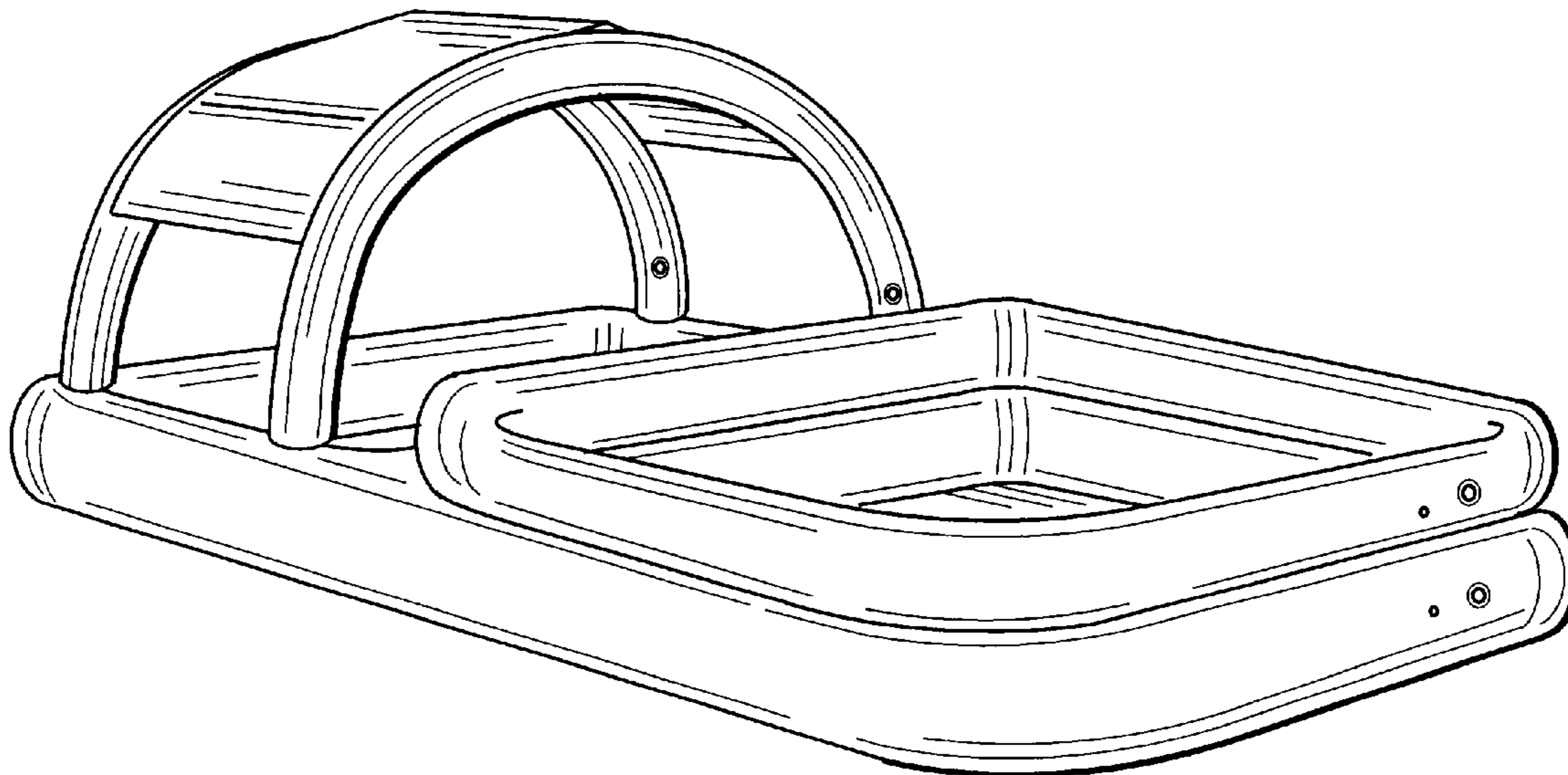
[57] **CLAIM**

The ornamental design for a bi-level pool with shade, as shown and described.

**DESCRIPTION**

FIG. 1 is a perspective view of a bi-level pool with shade showing my new design;  
FIG. 2 is a front elevation thereof;  
FIG. 3 is a rear elevation thereof;  
FIG. 4 is a right side elevation thereof;  
FIG. 5 is a left side elevation thereof;  
FIG. 6 is a top planar view thereof; and,  
FIG. 7 is a bottom planar view thereof.

**1 Claim, 3 Drawing Sheets**



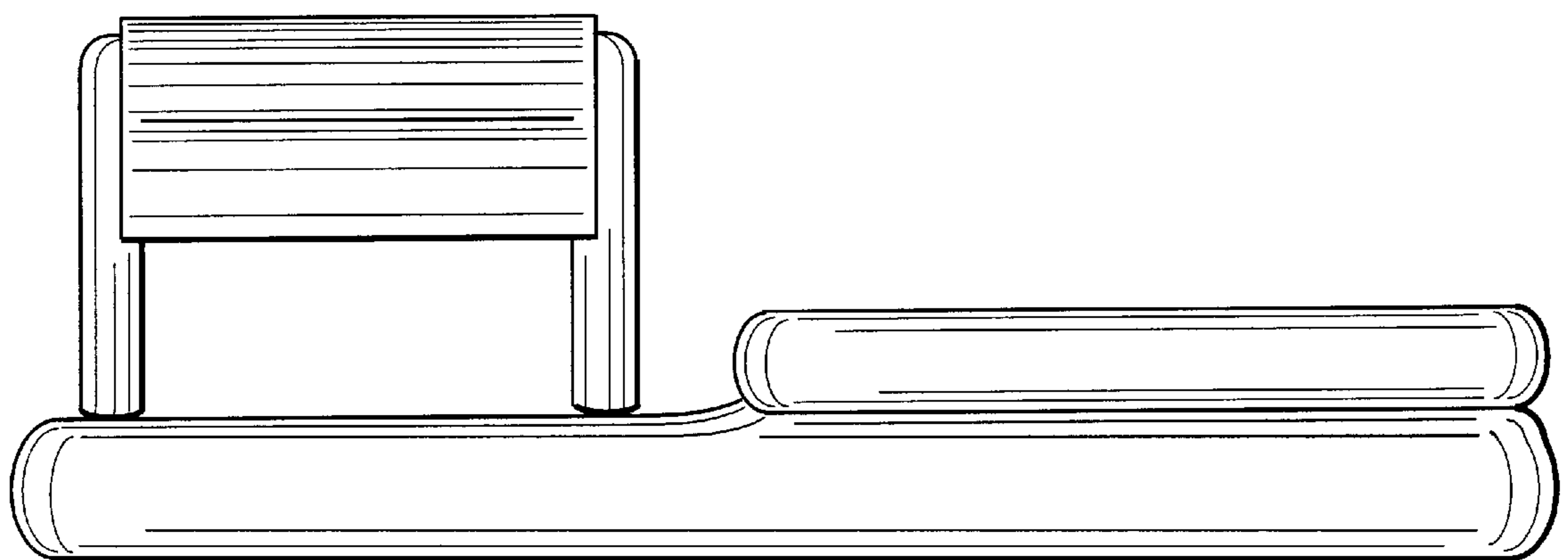
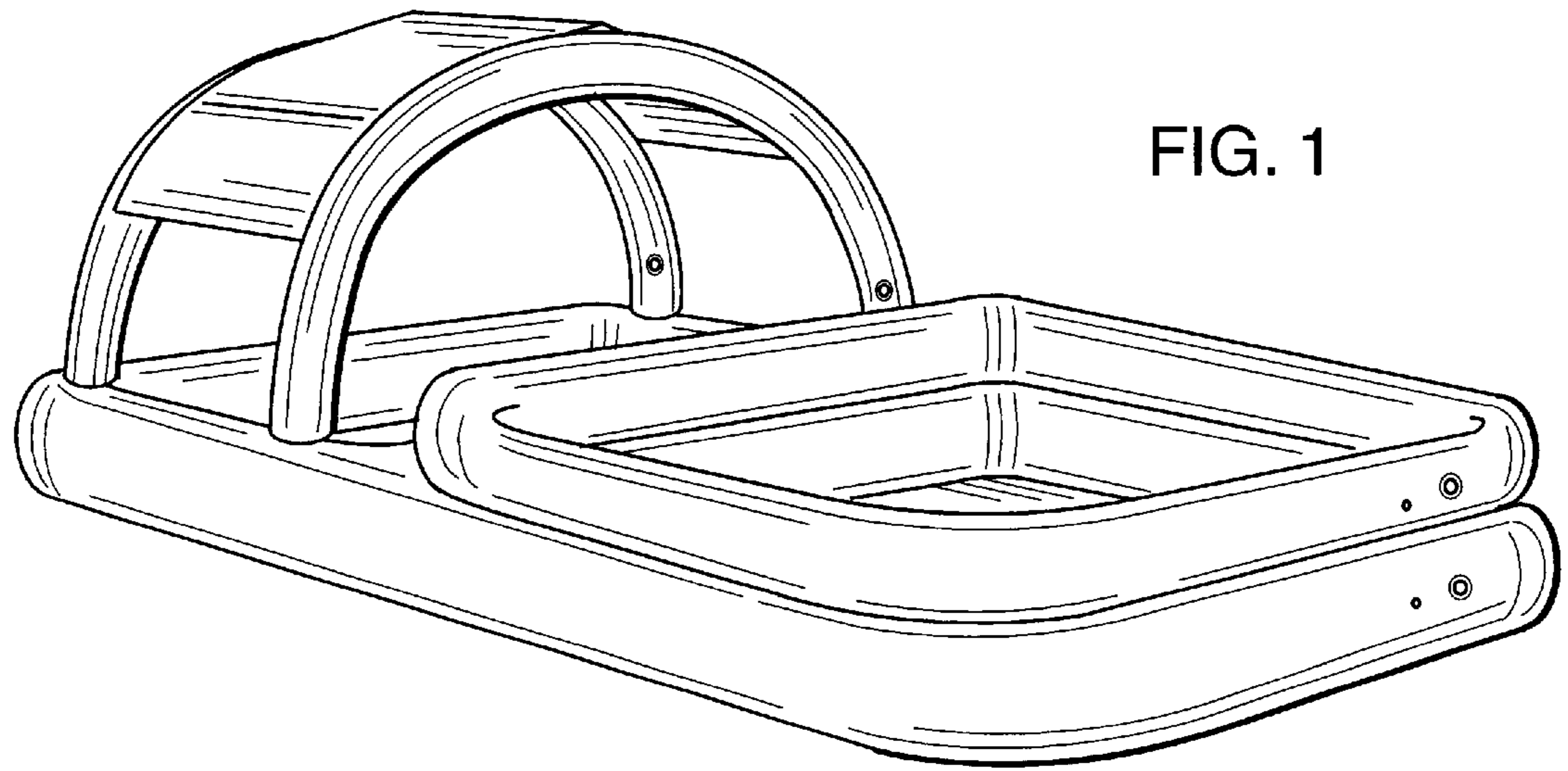


FIG. 3

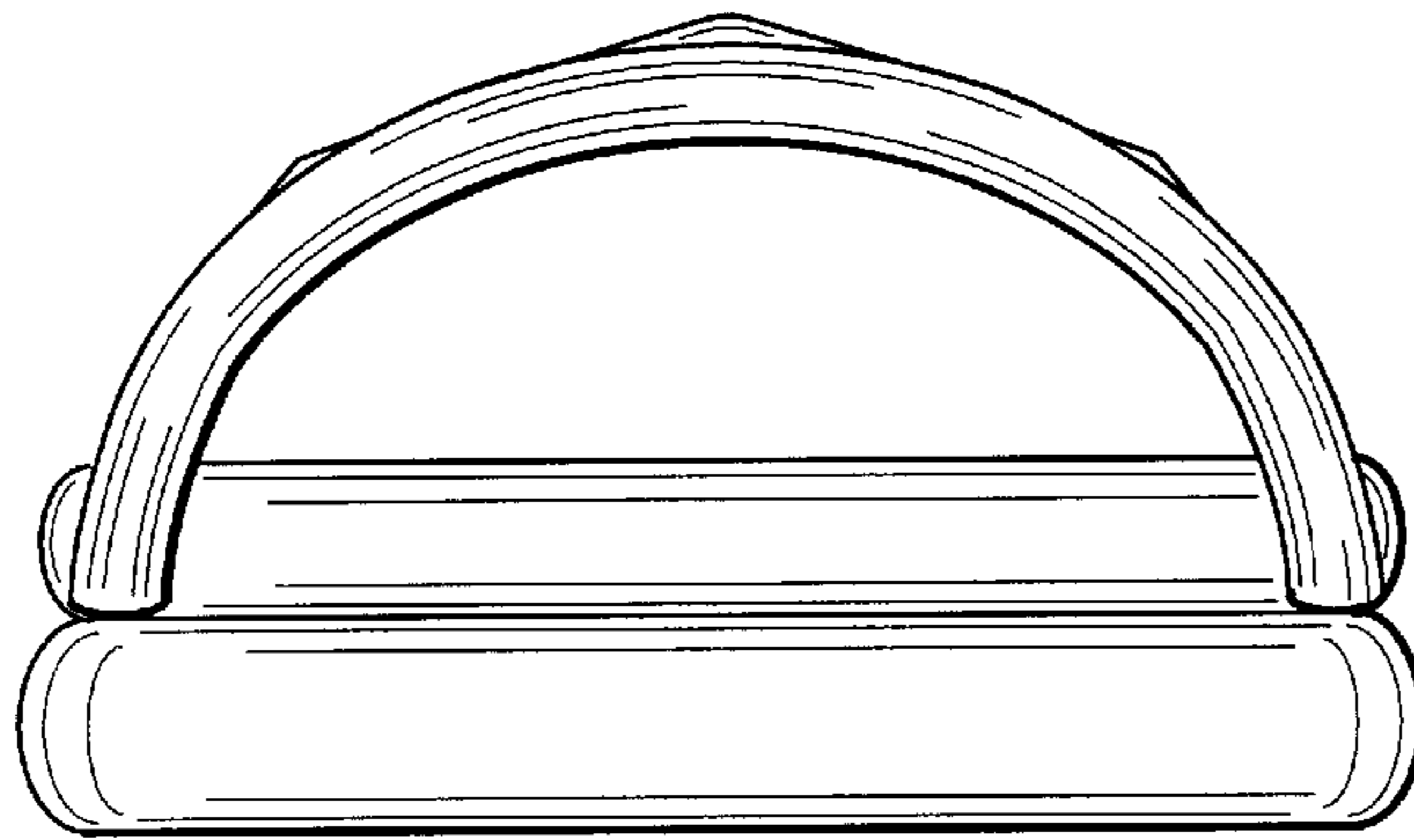
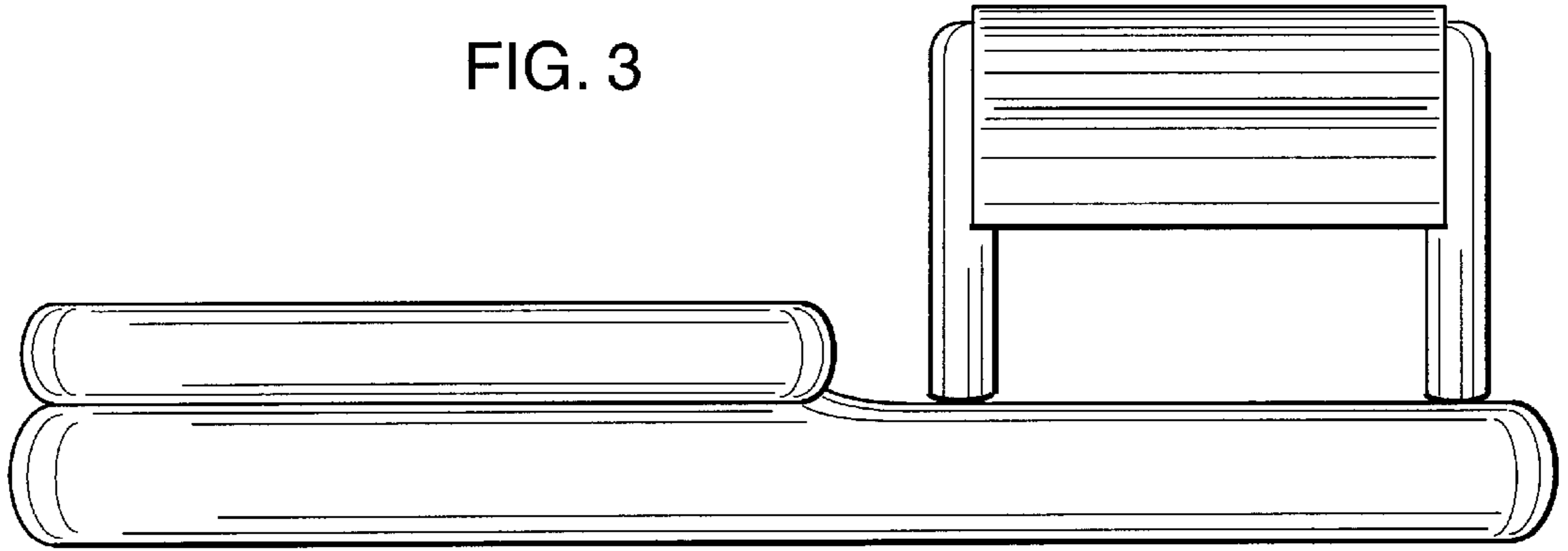
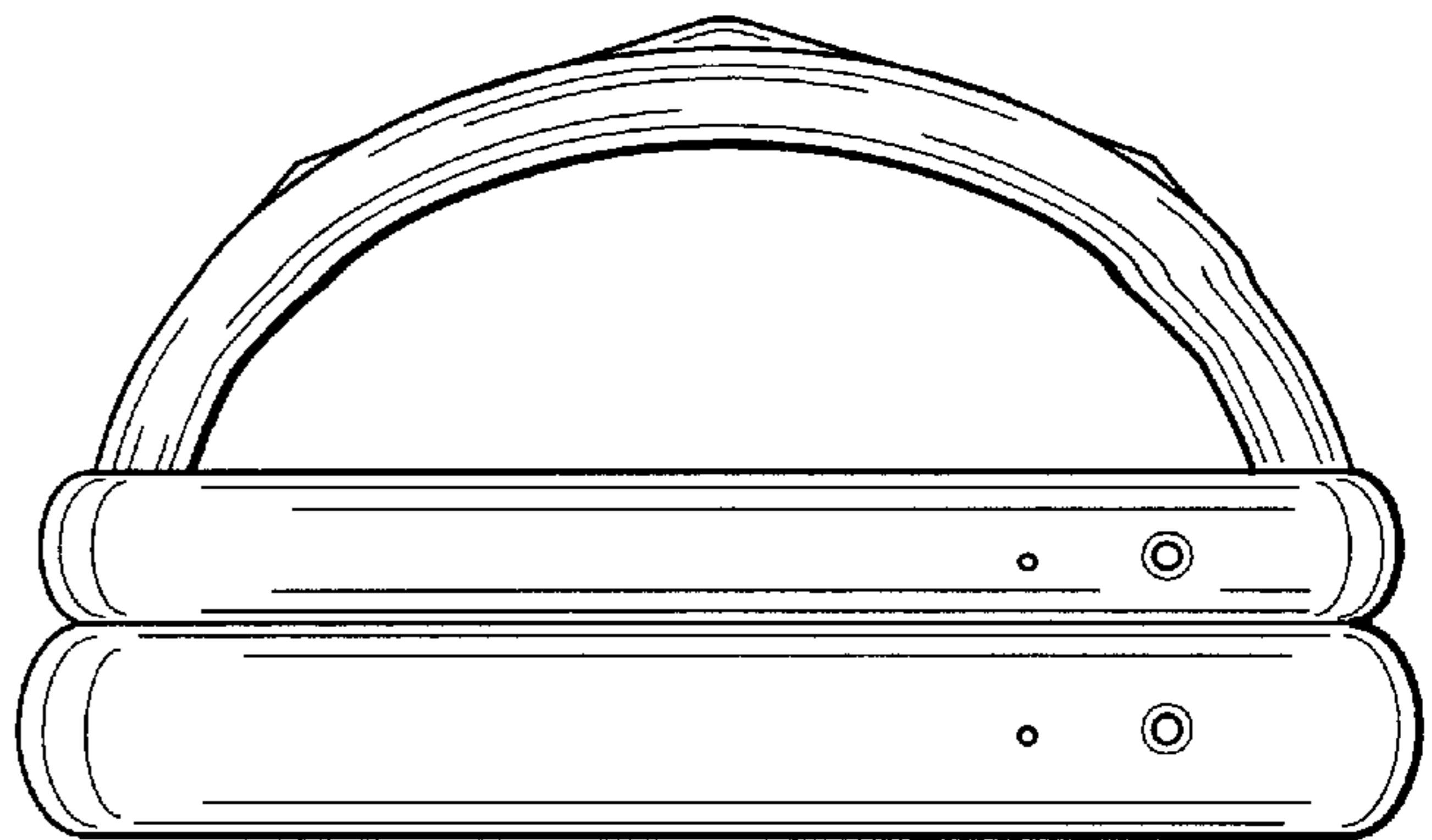


FIG. 4

FIG. 5



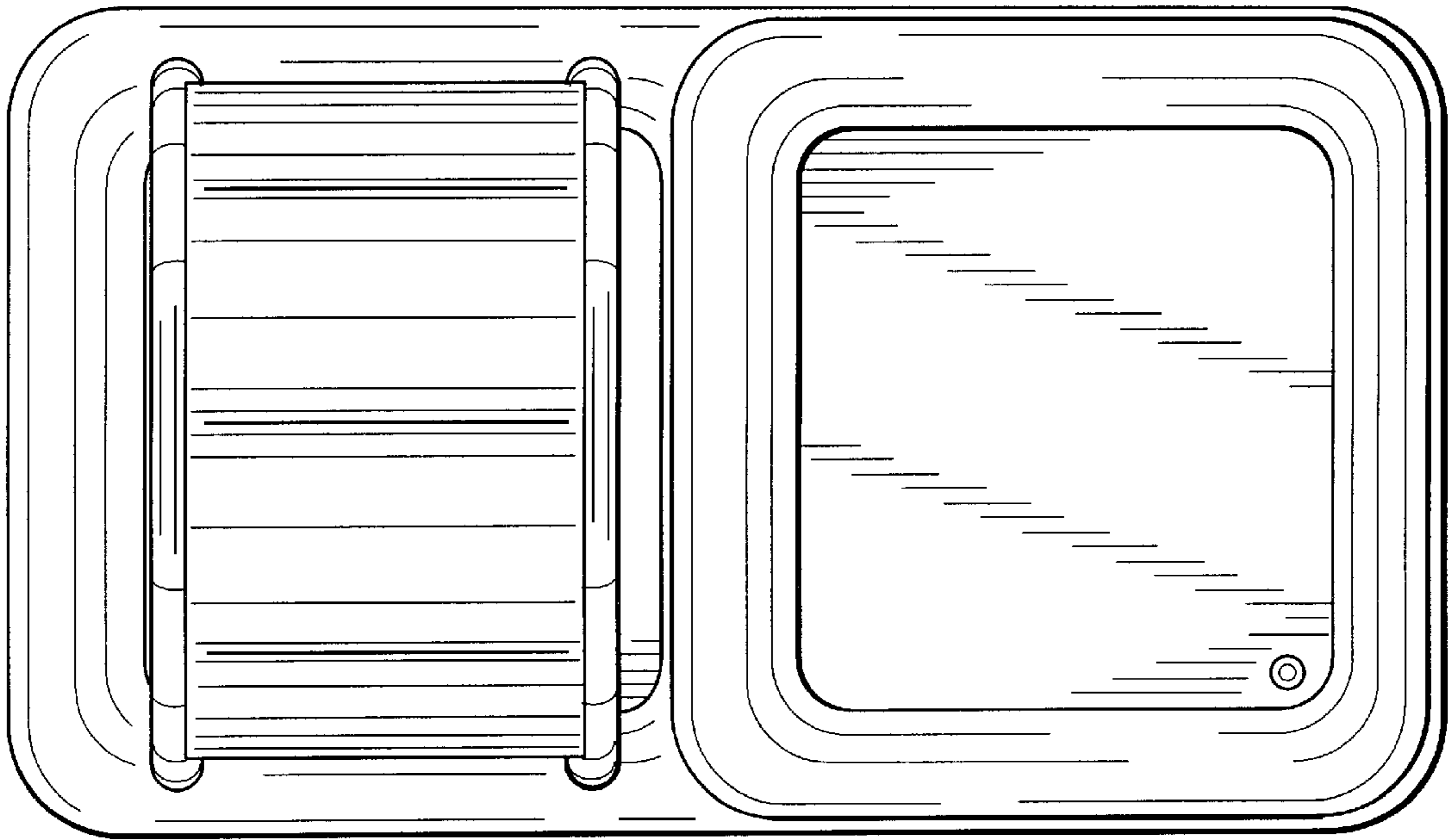


FIG. 6

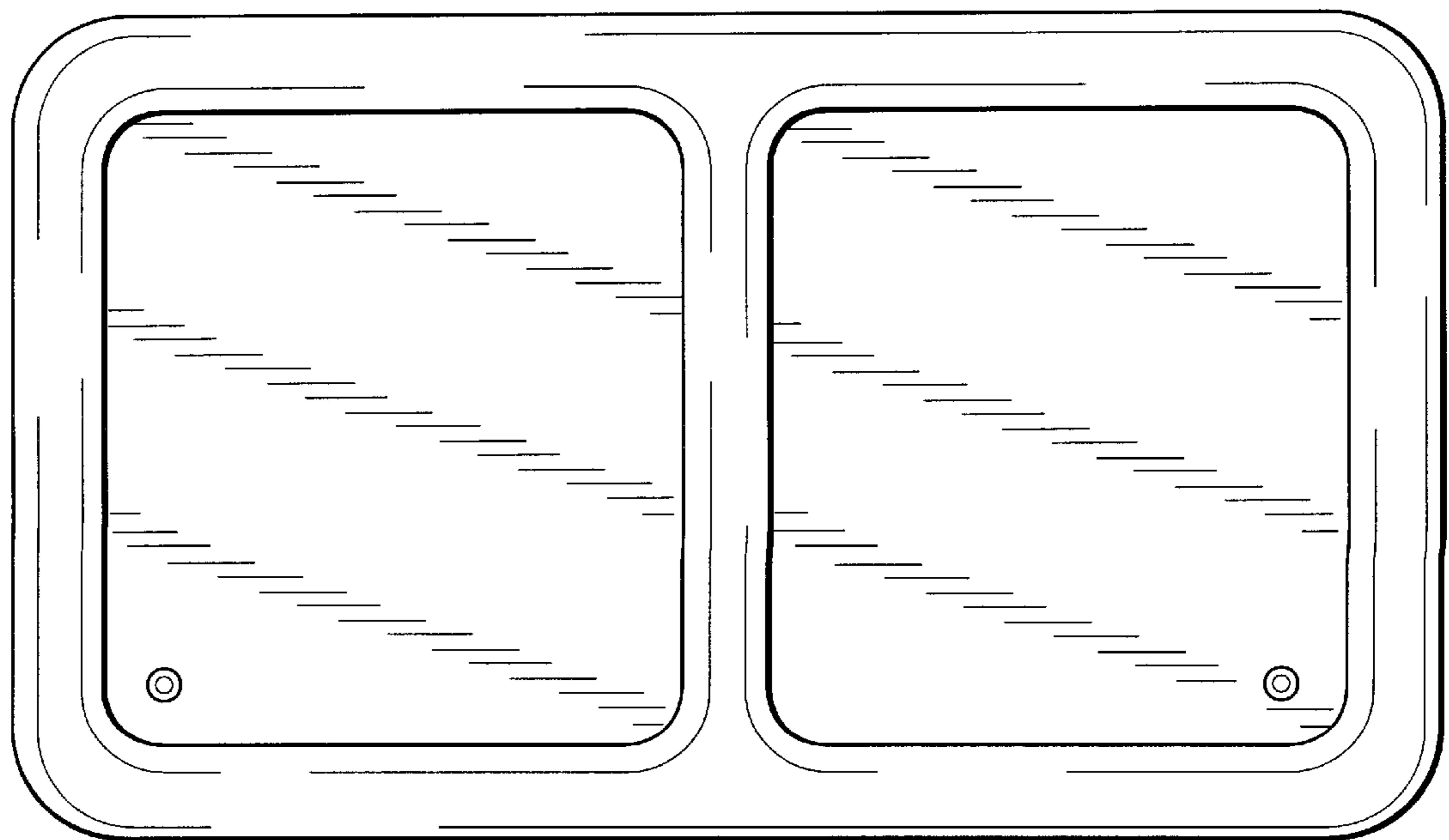


FIG. 7