



US00D434824S

# United States Patent [19]

Kiniry et al.

[11] **Patent Number: Des. 434,824**

[45] **Date of Patent: \*\* Dec. 5, 2000**

[54] **SNOWSHOE HEEL PAD**

4,620,375	11/1986	Wallace .....	36/125
5,787,612	8/1998	Mahoney et al. ....	36/124
6,012,238	1/2000	McKenzie et al. ....	36/125

[75] Inventors: **Daniel P. Kiniry**, Stowe, Vt.; **Francis E. Mahoney**, Goffstown, N.H.

[73] Assignee: **Tubbs Snowshoe Company, LLC**, Stowe, Vt.

*Primary Examiner*—Kay H. Chin  
*Attorney, Agent, or Firm*—Ross, Ross & Flavin

[\*\*] Term: **14 Years**

[57] **CLAIM**

[21] Appl. No.: **29/120,270**

The ornamental design for a snowshoe heel pad, as shown and described.

[22] Filed: **Mar. 17, 2000**

**Related U.S. Application Data**

**DESCRIPTION**

[62] Division of application No. 29/111,895, Oct. 7, 1999.

[51] **LOC (7) Cl.** ..... **21-02**

[52] **U.S. Cl.** ..... **D21/771; D21/768**

[58] **Field of Search** ..... **D21/760, 766, D21/768, 771, 772, 773, 774; 36/122-125**

FIG. 1 is a top perspective view of a snowshoe heel pad embodying my design;

FIG. 2 is a front perspective view; and,

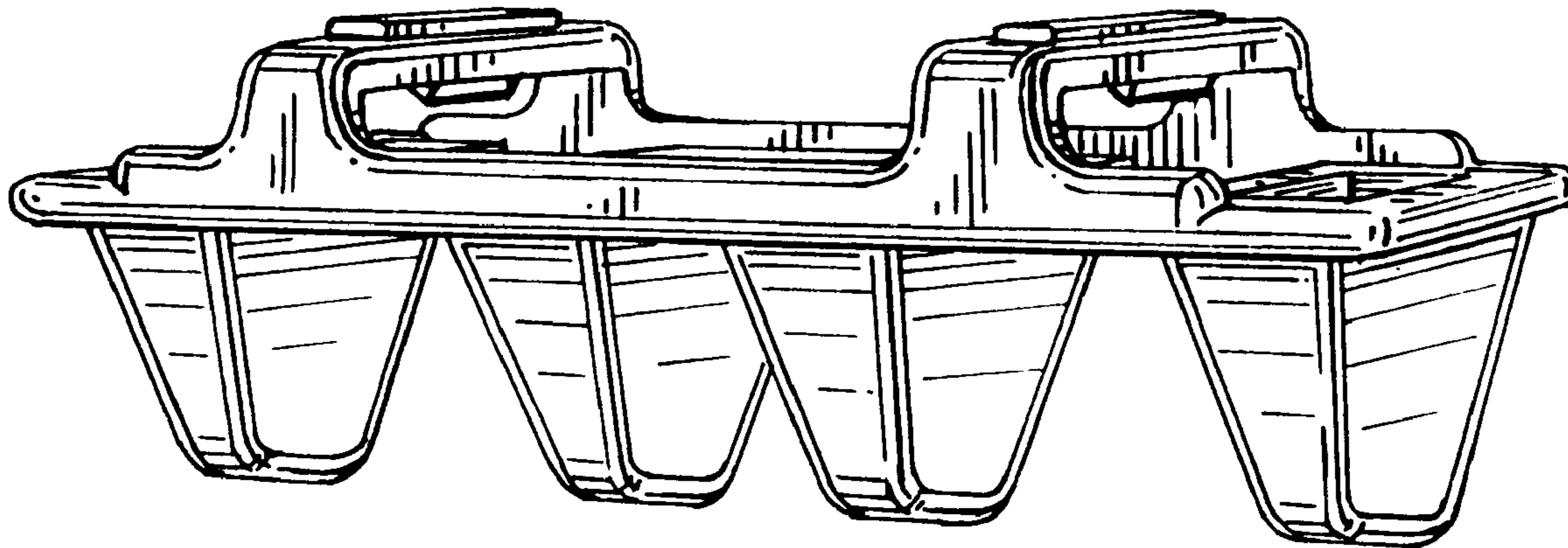
FIG. 3 is a cross sectional view taken on line 3—3 of FIG. 1.

[56] **References Cited**

**U.S. PATENT DOCUMENTS**

D. 425,161 5/2000 Kiniry et al. .... D21/771

**1 Claim, 1 Drawing Sheet**



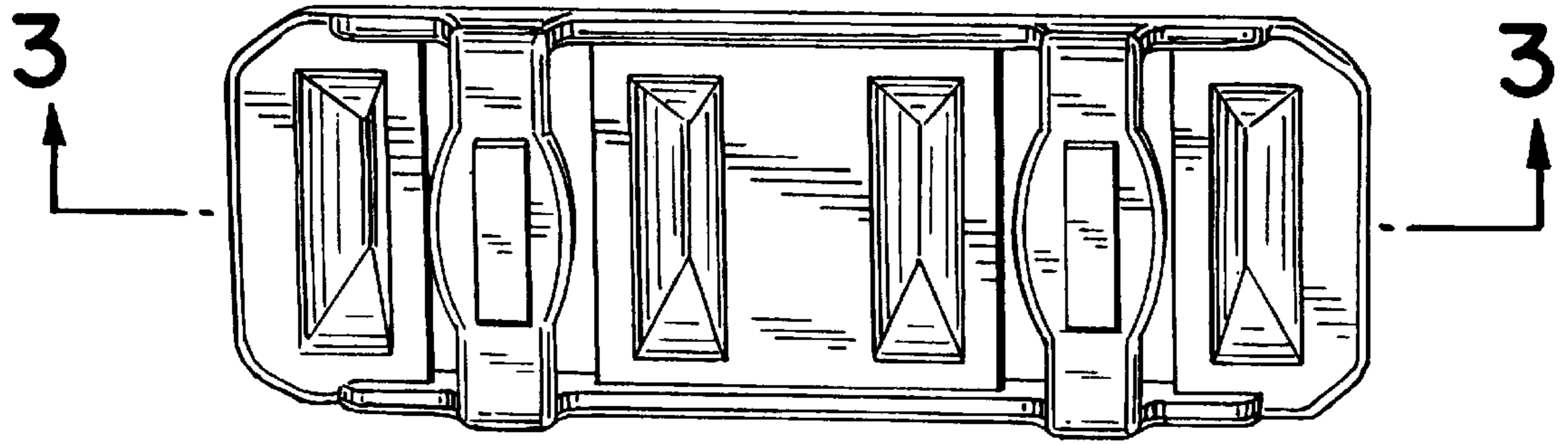


FIG. 1

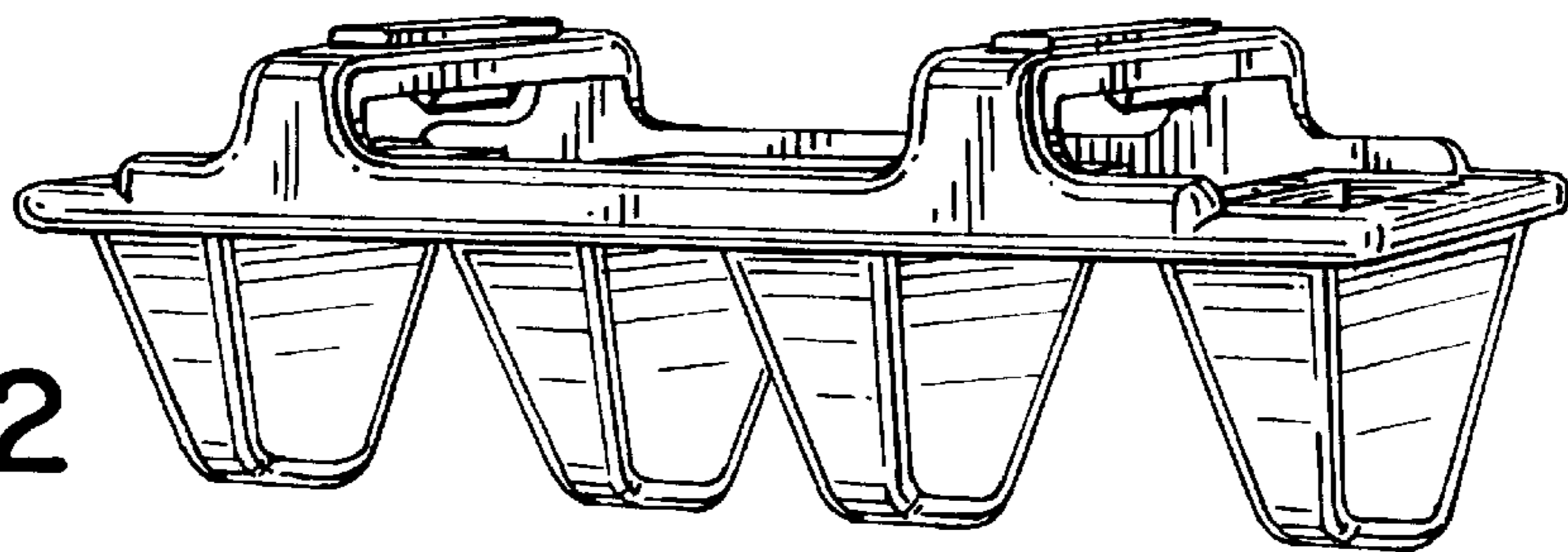


FIG. 2

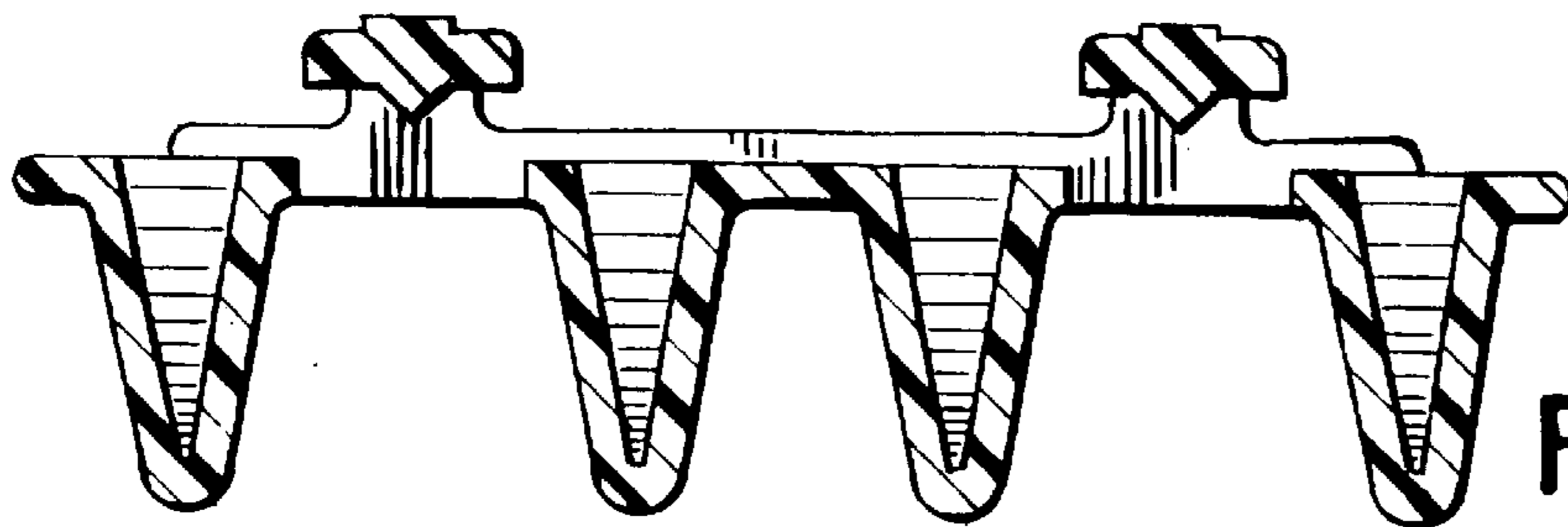


FIG. 3