



US00D434822S

United States Patent [19]

Jacobson et al.

[11] Patent Number: Des. 434,822

[45] Date of Patent: ** Dec. 5, 2000

[54] STRESS ENERVATING SLEEVE FOR GOLF CLUB

D. 399,281 10/1998 Allen D21/759
5,324,033 6/1994 Fenton, Jr. 473/305

[75] Inventors: Daniel R. Jacobson, San Diego; Herb Reyes, Laguna Niguel; Peter L. Soracco, Carlsbad; J. Andrew Galloway, Escondido; Andrew J. Goodjohn, Vista; Paul D. Zanolli, Valley Center; Ronald K. Hettinger, Oceanside, all of Calif.

Primary Examiner—Mitchell Siegel
Attorney, Agent, or Firm—Michael A. Catania

[73] Assignee: Callaway Golf Company, Carlsbad, Calif.

[**] Term: 14 Years

[21] Appl. No.: 29/124,152

[22] Filed: May 31, 2000

[51] LOC (7) Cl. 21-02

[52] U.S. Cl. D21/759

[58] Field of Search D21/733, 752,
D21/736-751; 473/345, 346, 305, 350,
313

[57] CLAIM

The ornamental design for the stress enervating sleeve for golf club, as shown and described.

DESCRIPTION

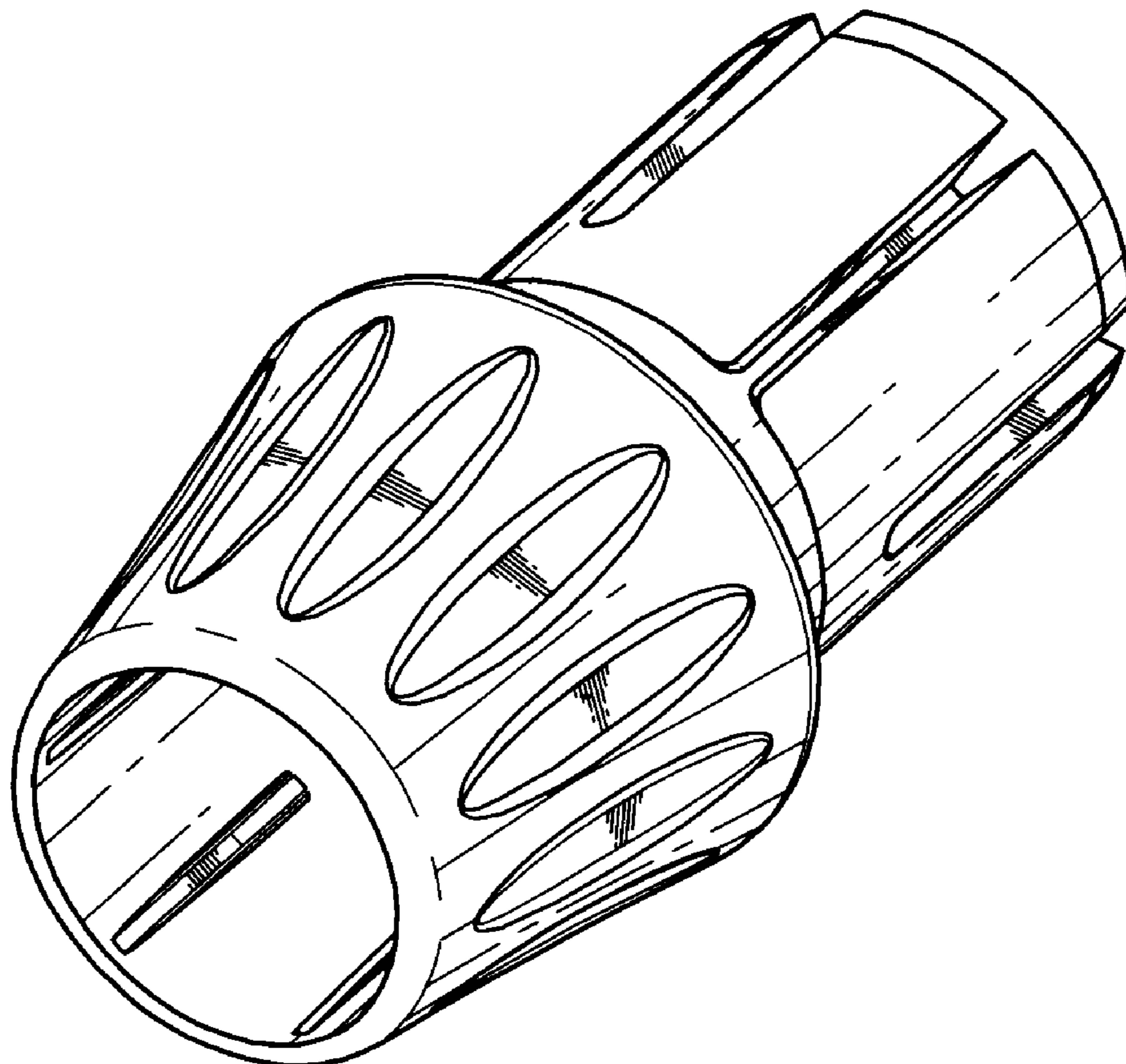
FIG. 1 is a perspective view of the stress enervating sleeve; FIG. 2 is a top plan view thereof; FIG. 3 is a front view thereof; FIG. 4 is a rear view thereof; FIG. 5 is a toe end view thereof; FIG. 6 is a side plan thereof; FIG. 7 is a heel end view thereof; FIG. 8 is an opposite side view of FIG. 6; and, FIG. 9 is a reduced top perspective view thereof, the broken line showing of the driver head is for illustrative purposes only and forms no part of the claimed design.

[56] References Cited

U.S. PATENT DOCUMENTS

D. 393,678 4/1998 Jones et al. D21/759

1 Claim, 3 Drawing Sheets



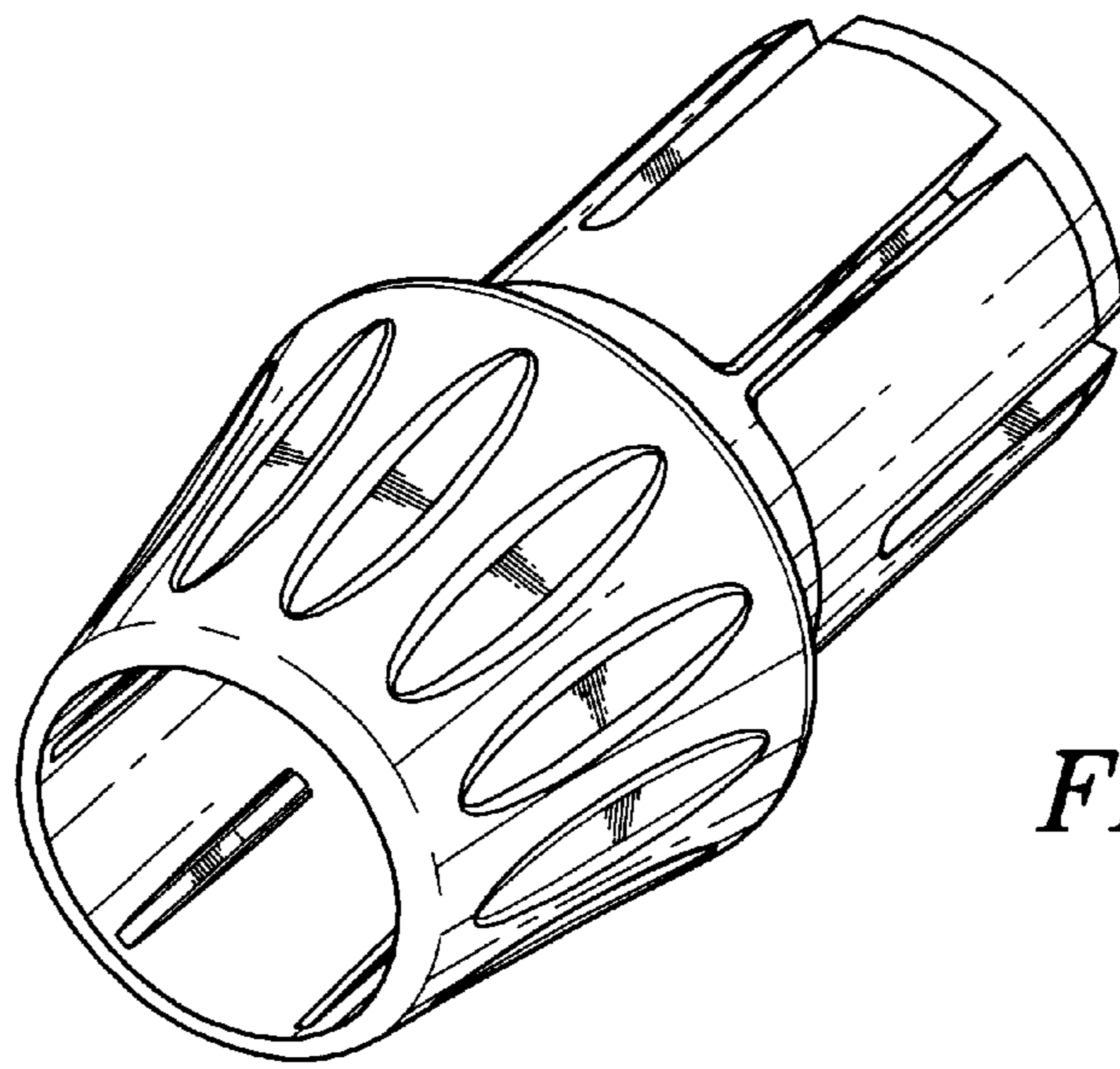


FIG. 1

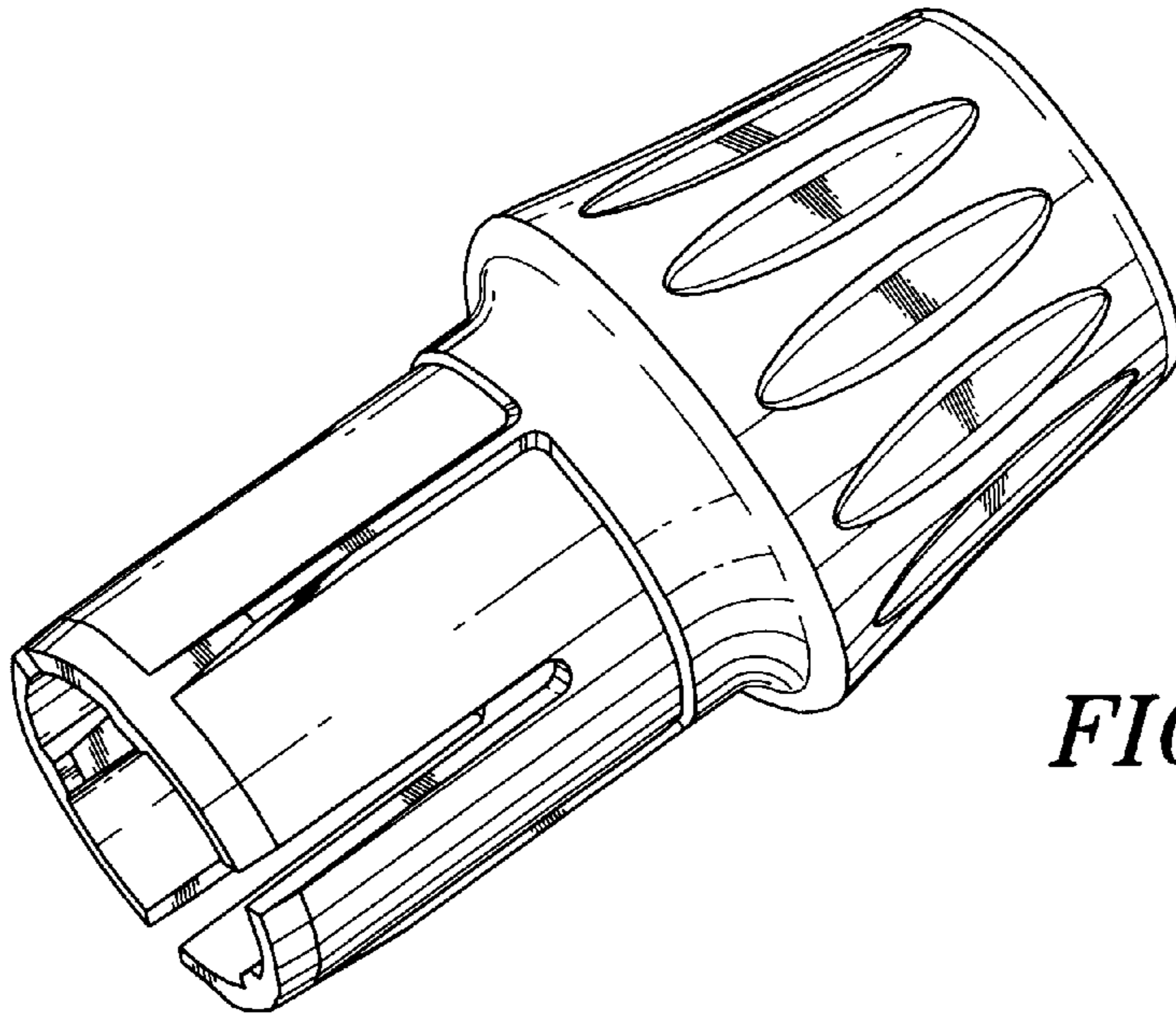


FIG. 2

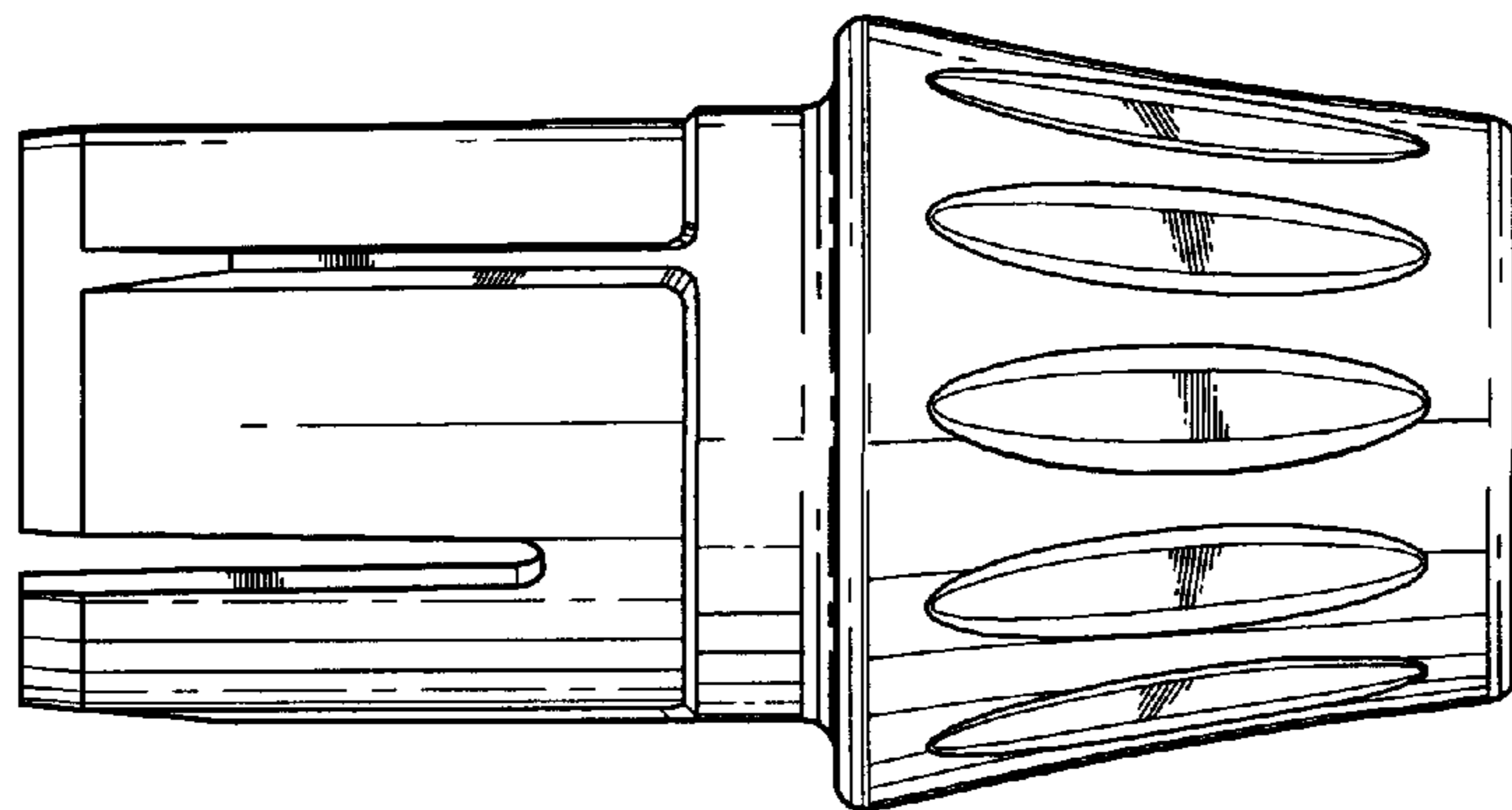


FIG. 3

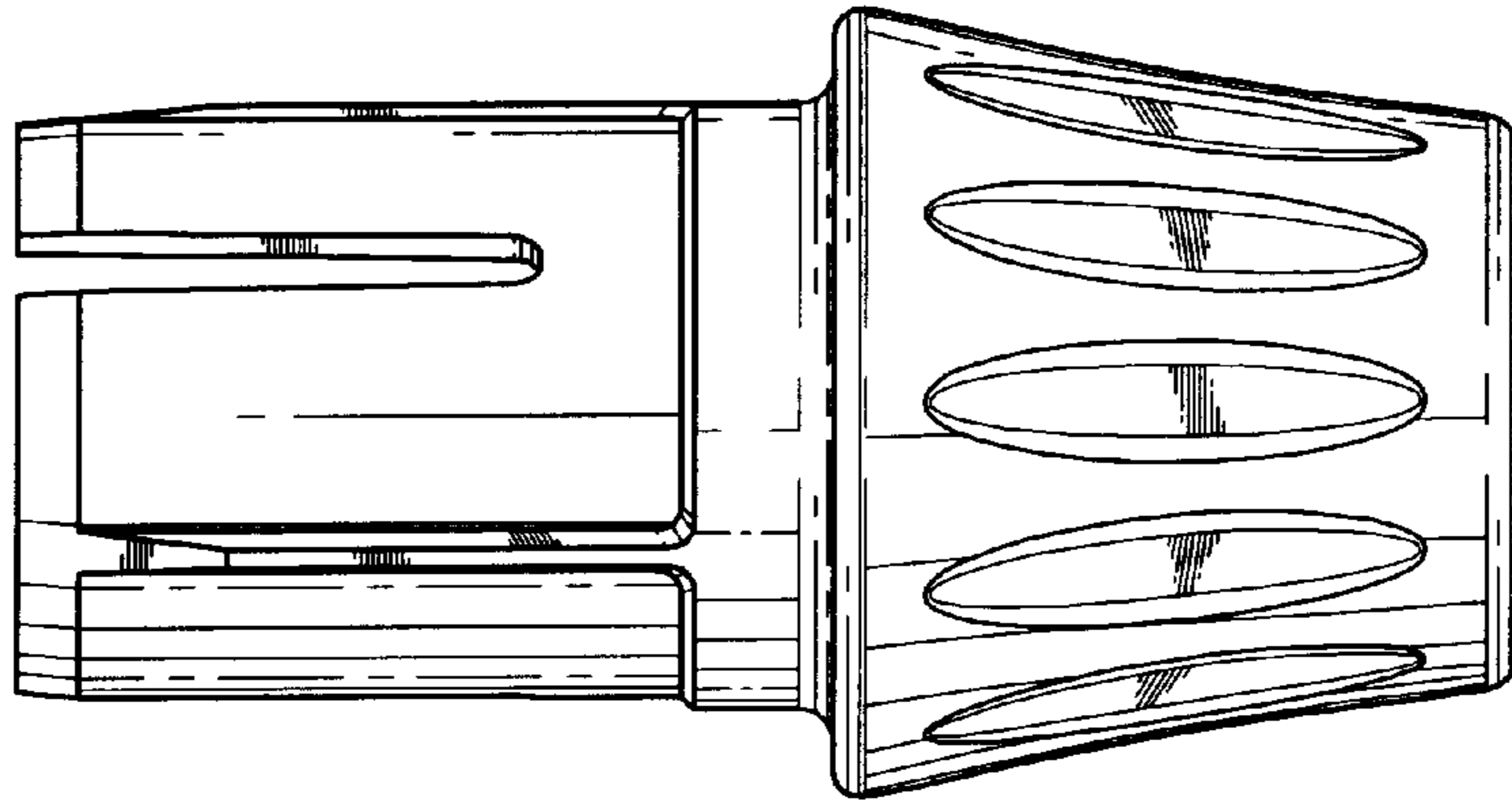


FIG. 4

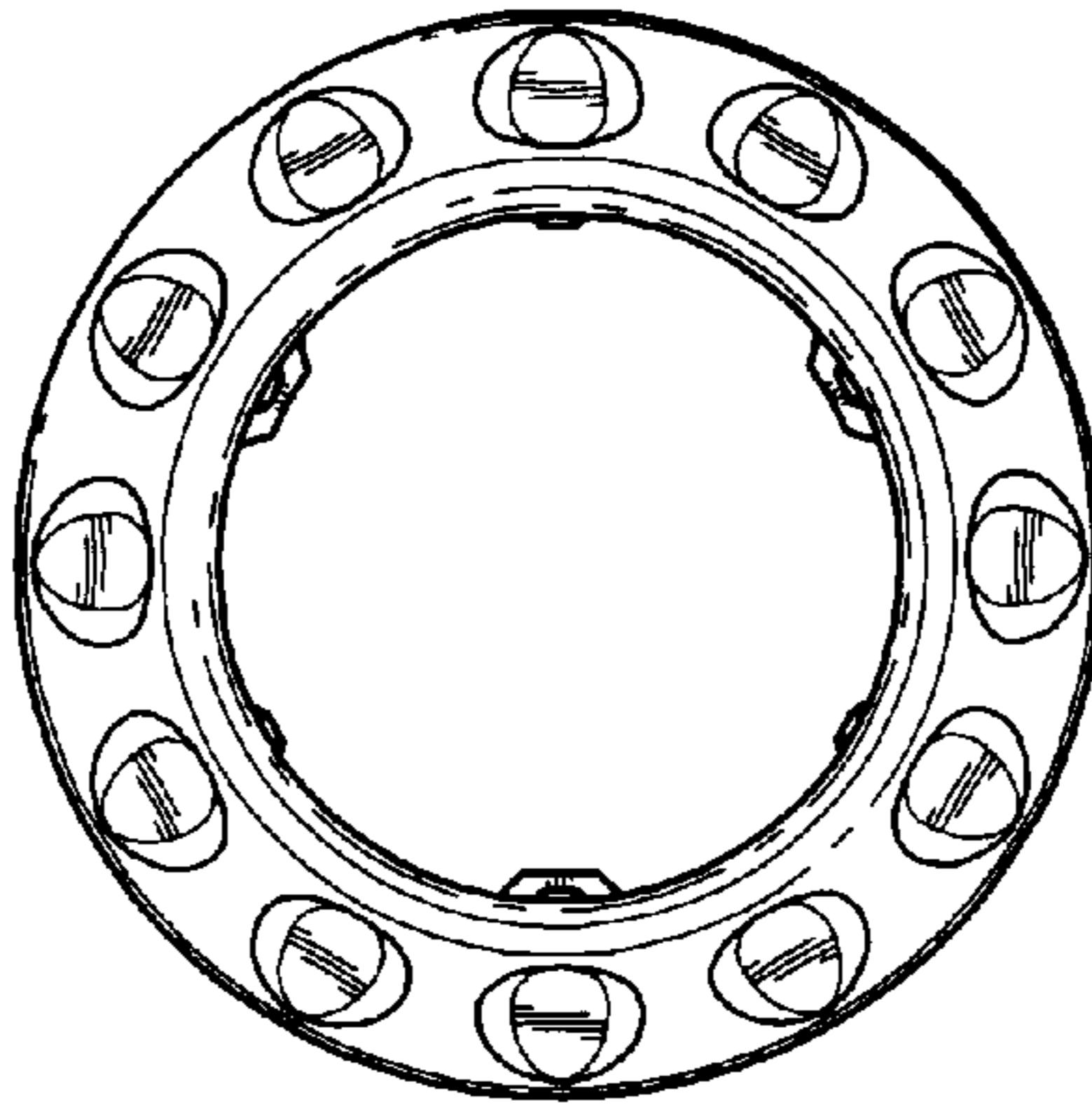


FIG. 5

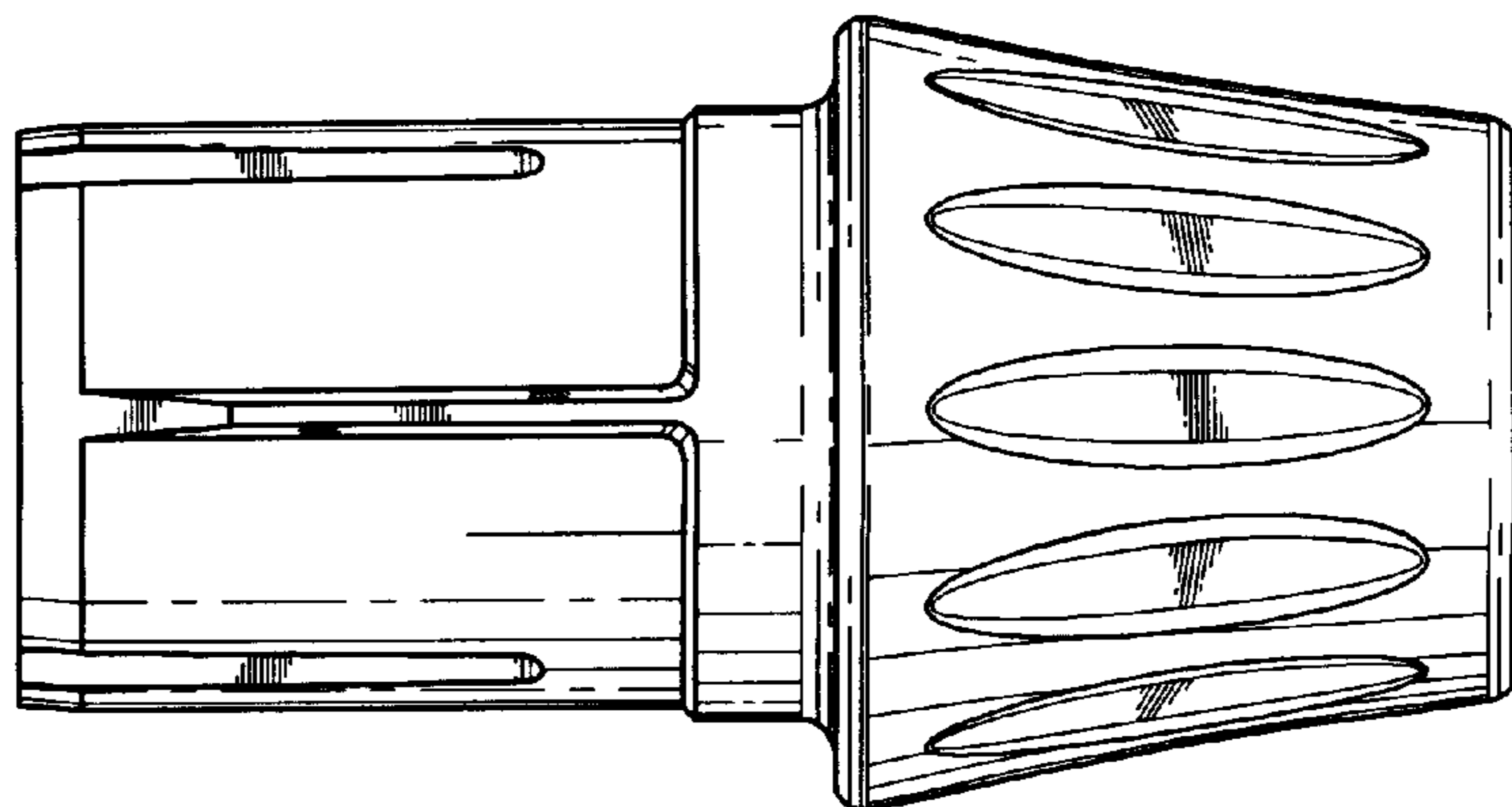


FIG. 6

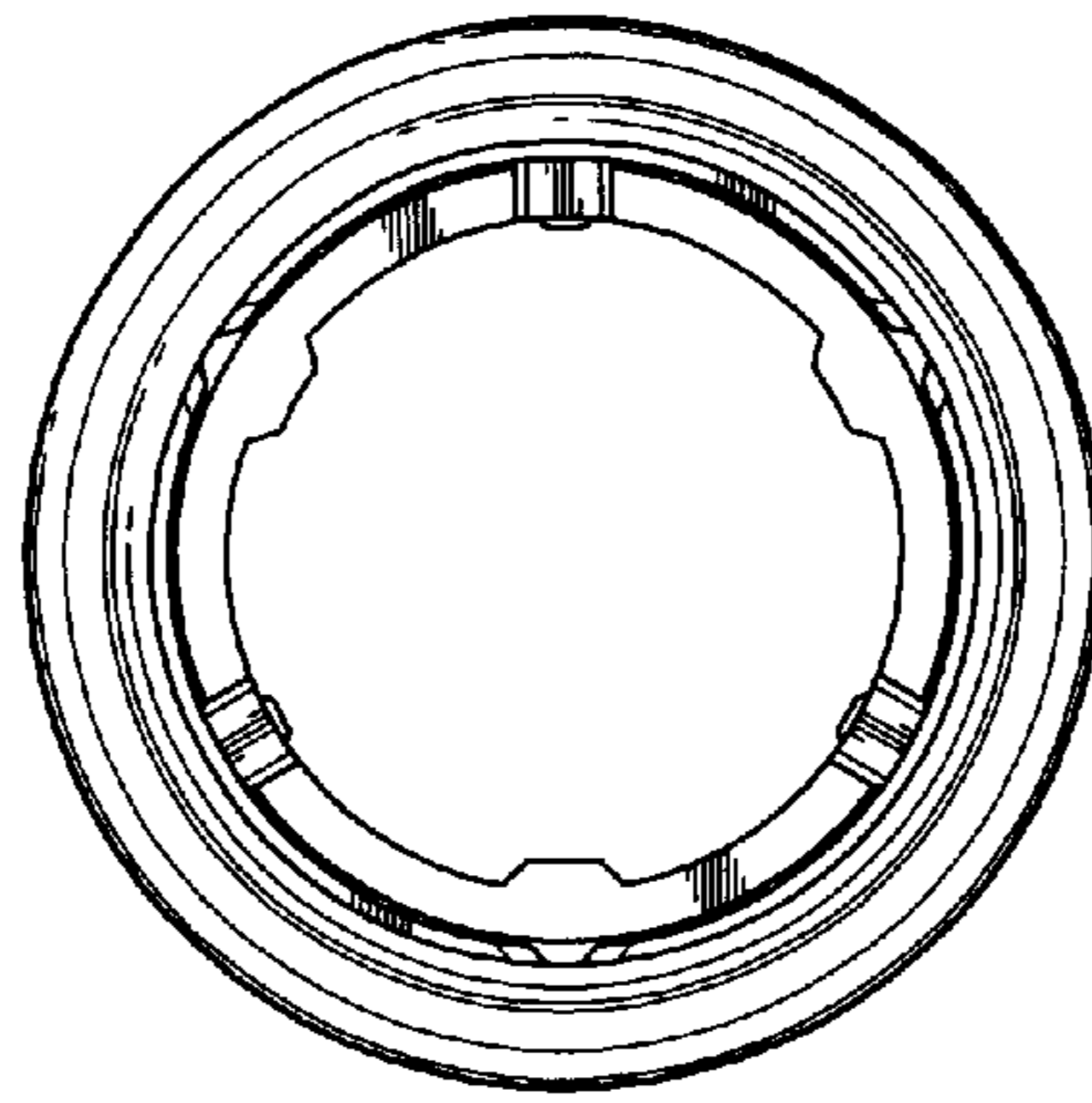


FIG. 7

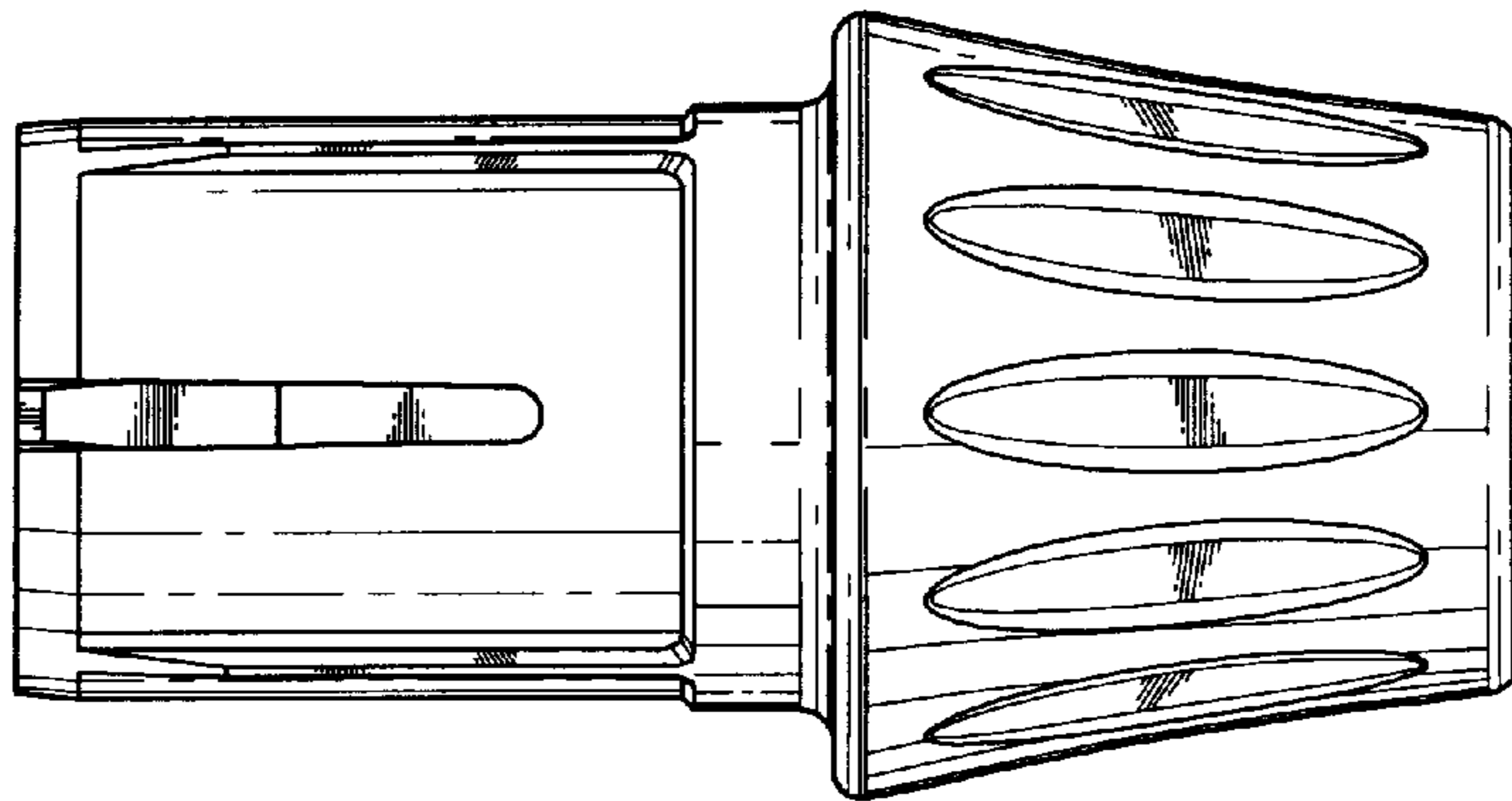


FIG. 8

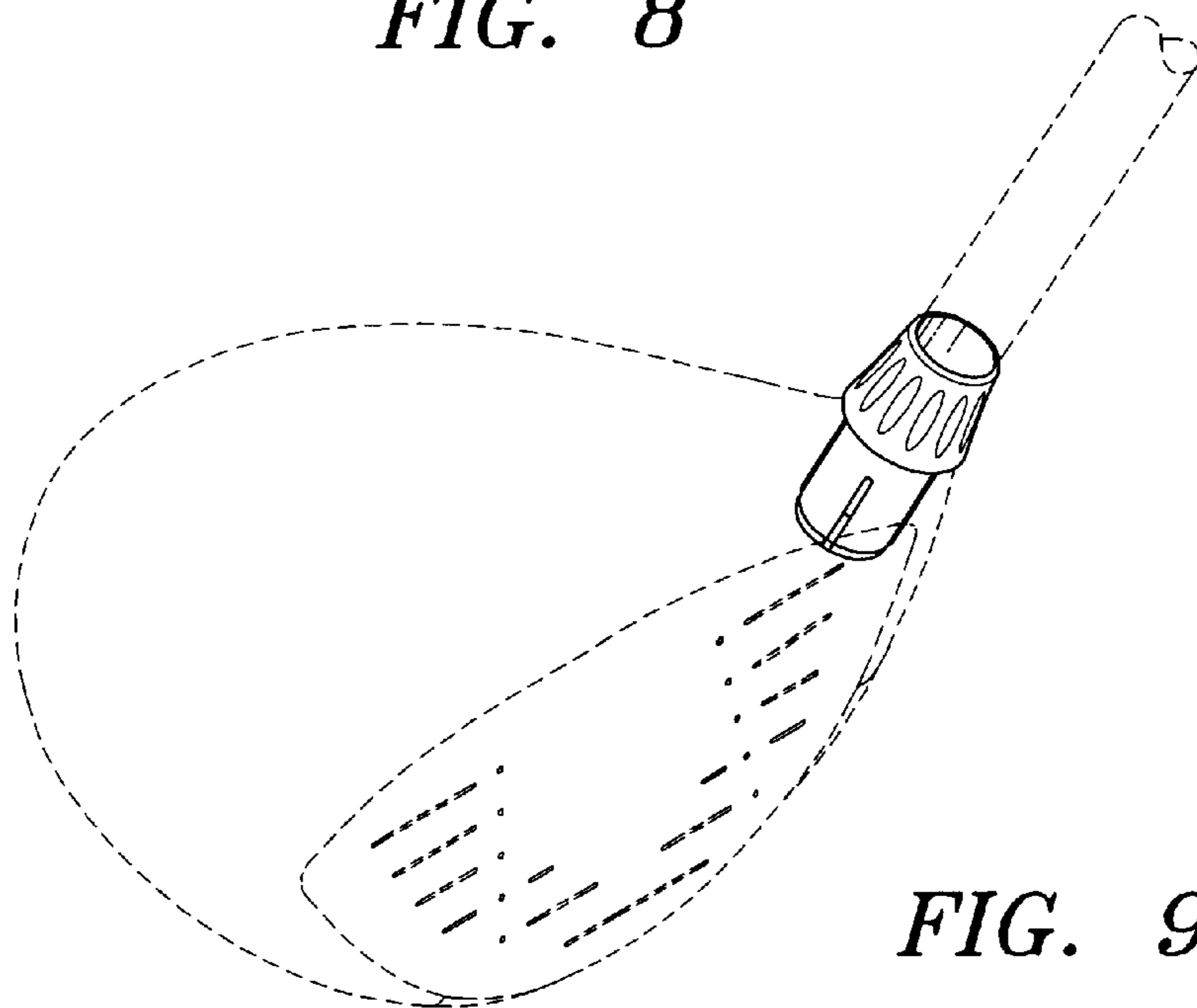


FIG. 9