

US00D434821S

United States Patent [19]
Farrar

[11] **Patent Number: Des. 434,821**
[45] **Date of Patent: ** Dec. 5, 2000**

[54] **GOLF CLUB HEAD**

[76] Inventor: **Craig H. Farrar**, 7100 San Ramon Rd., #128, Dublin, Calif. 94568

[**] Term: **14 Years**

[21] Appl. No.: **29/111,243**

[22] Filed: **Sep. 23, 1999**

[51] **LOC (7) Cl.** **21-02**

[52] **U.S. Cl.** **D21/746**

[58] **Field of Search** D21/736-746;
473/251-256, 324, 327-331, 340, 341

[56] **References Cited**

U.S. PATENT DOCUMENTS

3,448,981	6/1969	Anweiler	D21/741 X
5,340,104	8/1994	Griffin	473/340
5,630,766	5/1997	Granelli	473/328

Primary Examiner—Mitchell Siegel

Attorney, Agent, or Firm—Thomas R. Lampe

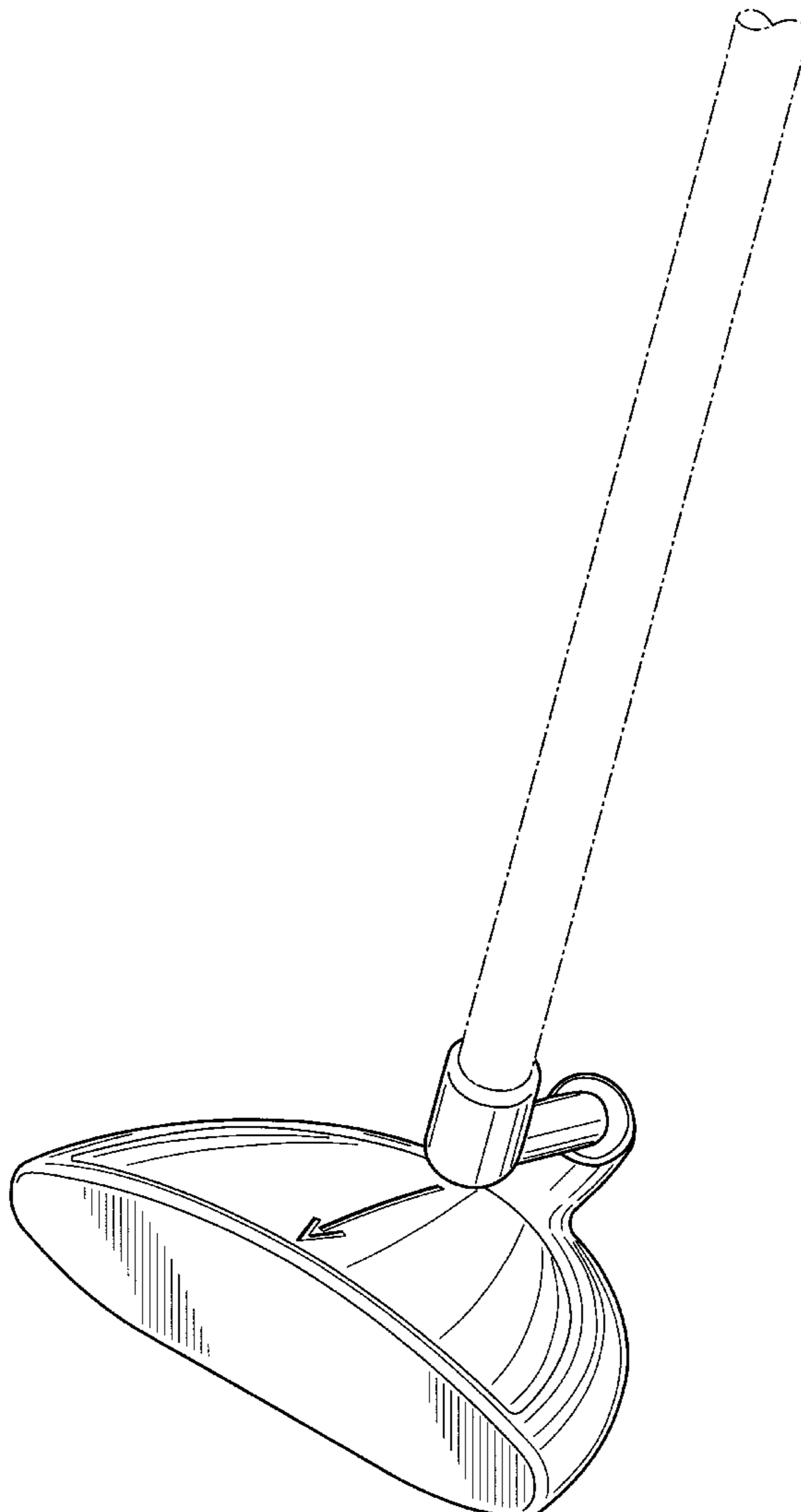
[57] **CLAIM**

The ornamental design for golf club head, as shown and described.

DESCRIPTION

FIG. 1 is a top, front and right side perspective view of a first embodiment of golf club head showing my design;
FIG. 2 is a bottom, rear and right side perspective view thereof;
FIG. 3 is a front elevational view thereof;
FIG. 4 is a right side elevational view thereof;
FIG. 5 is a rear elevational view thereof;
FIG. 6 is a left side elevational view thereof;
FIG. 7 is a top plan view thereof; and,
FIG. 8 is a bottom plan view thereof.
The broken line showing of the fragmented shaft is for illustrative purposes only and forms no part of the claimed design.

1 Claim, 4 Drawing Sheets



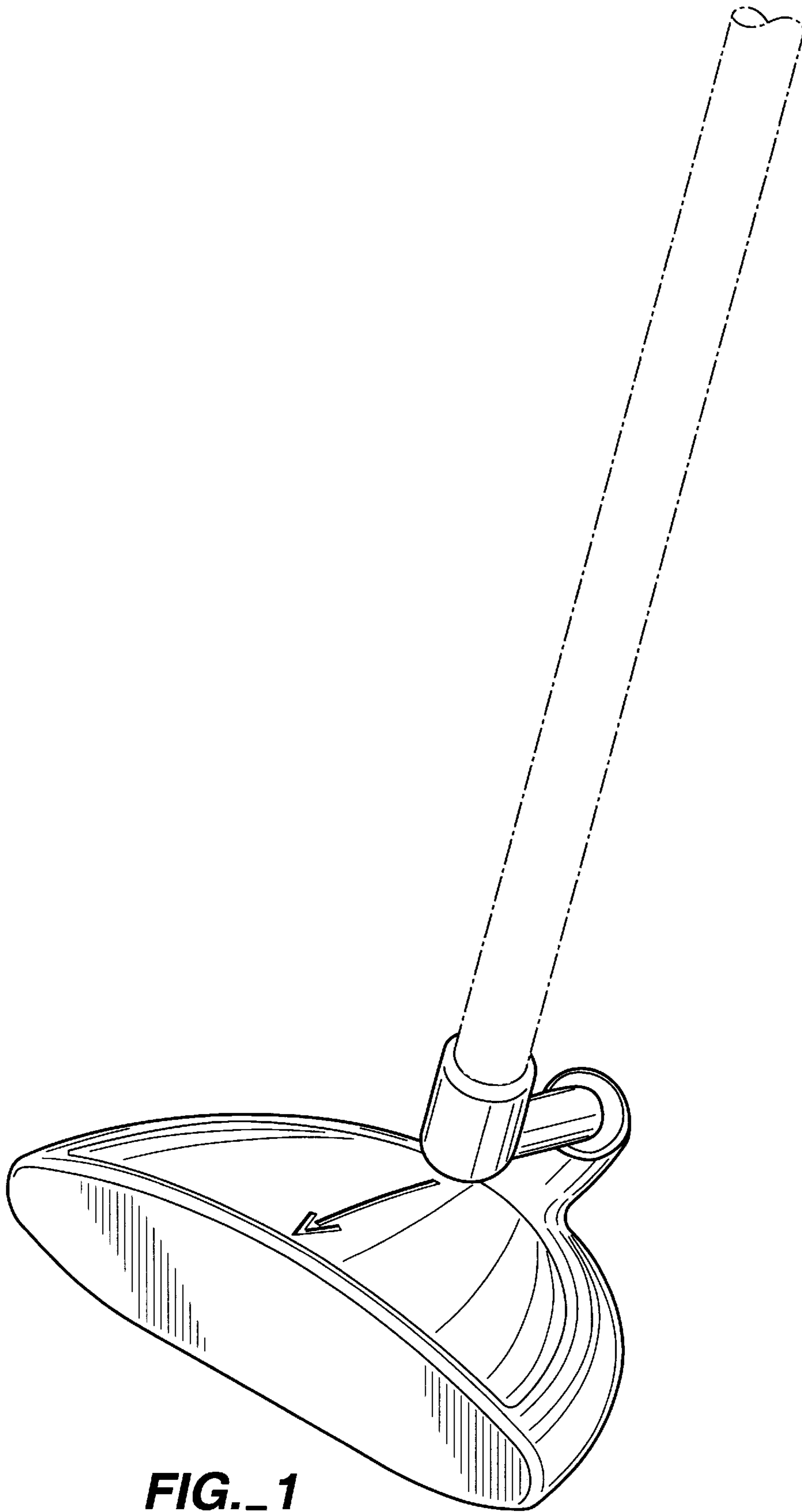


FIG. 1

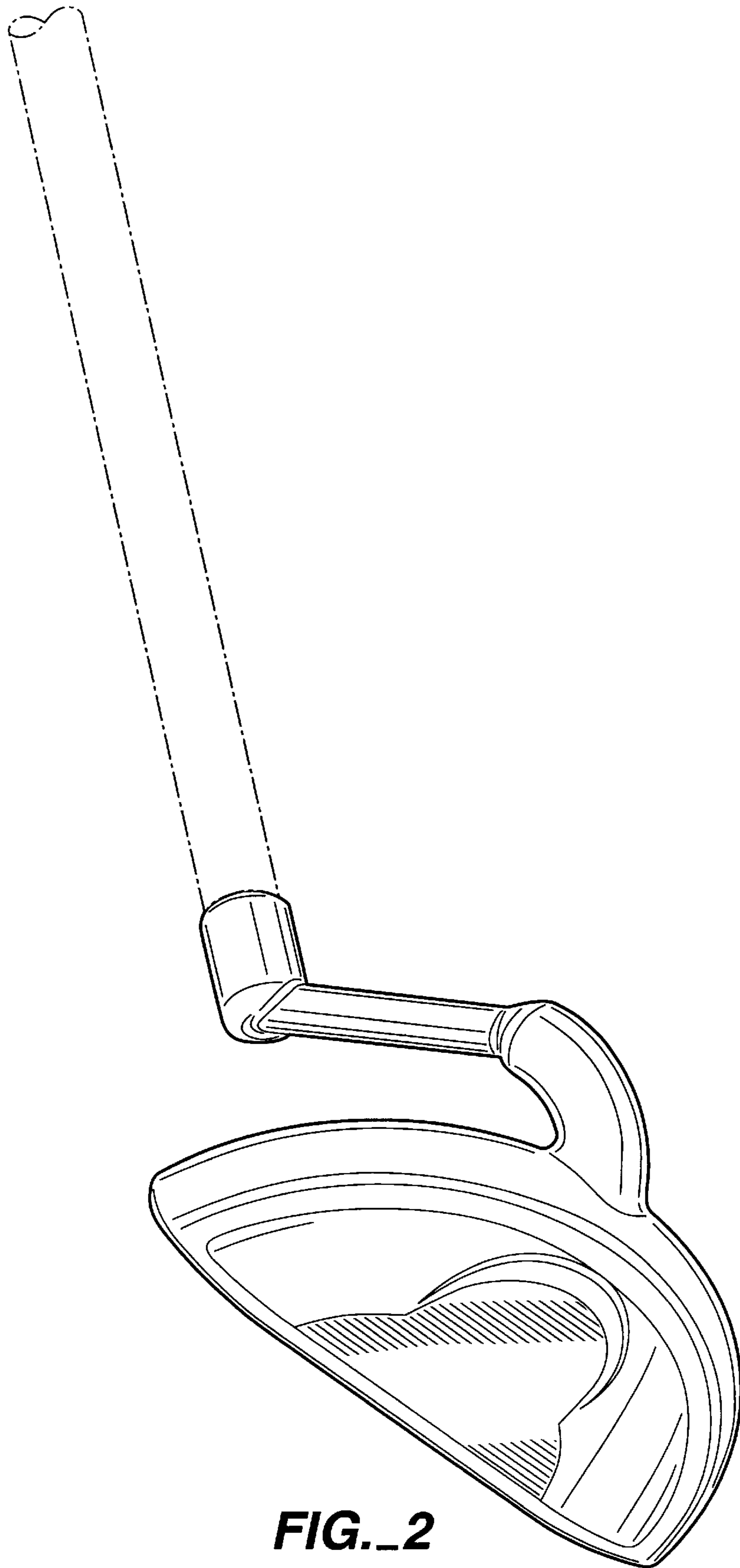


FIG. 2

FIG._3

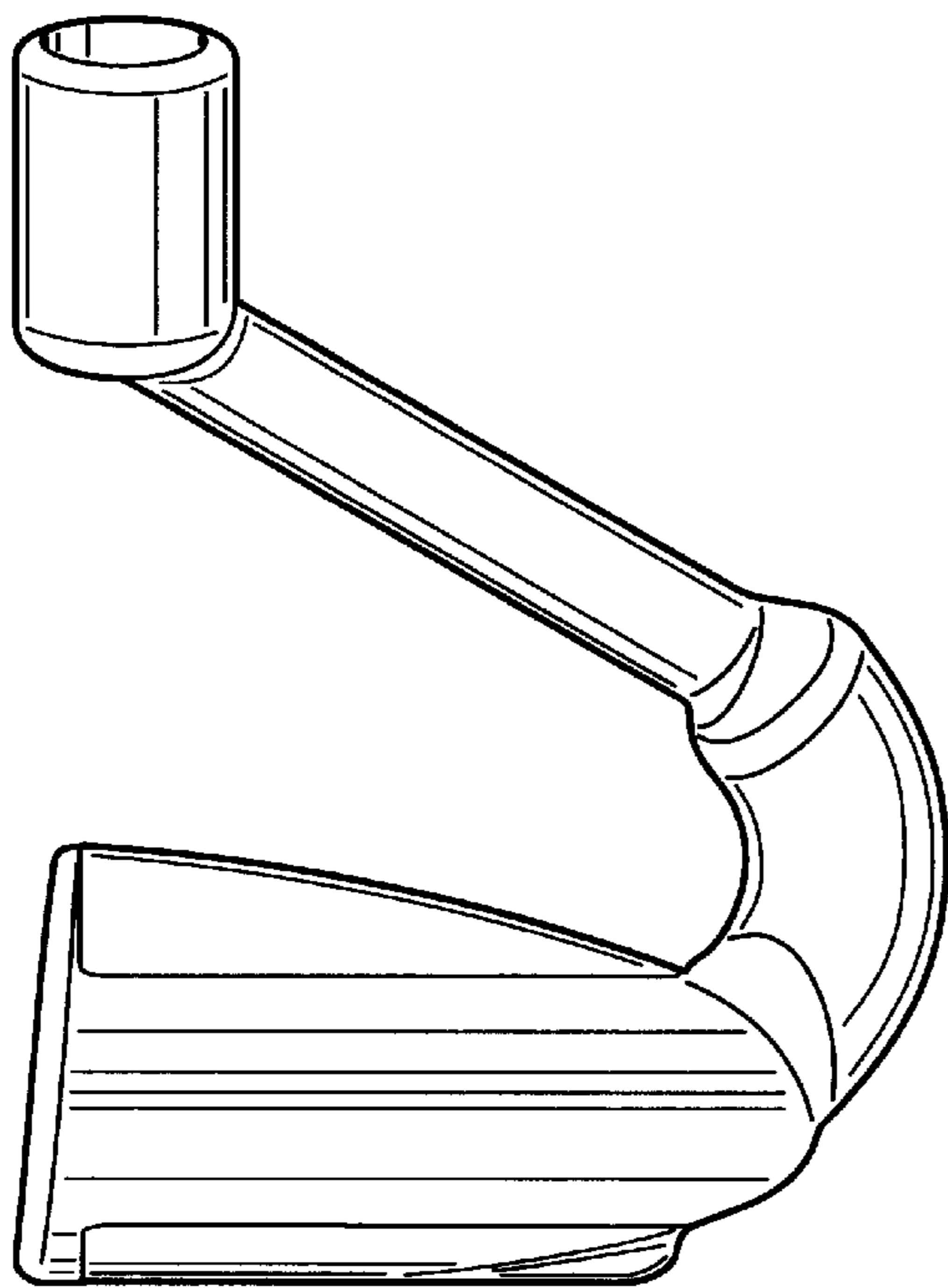
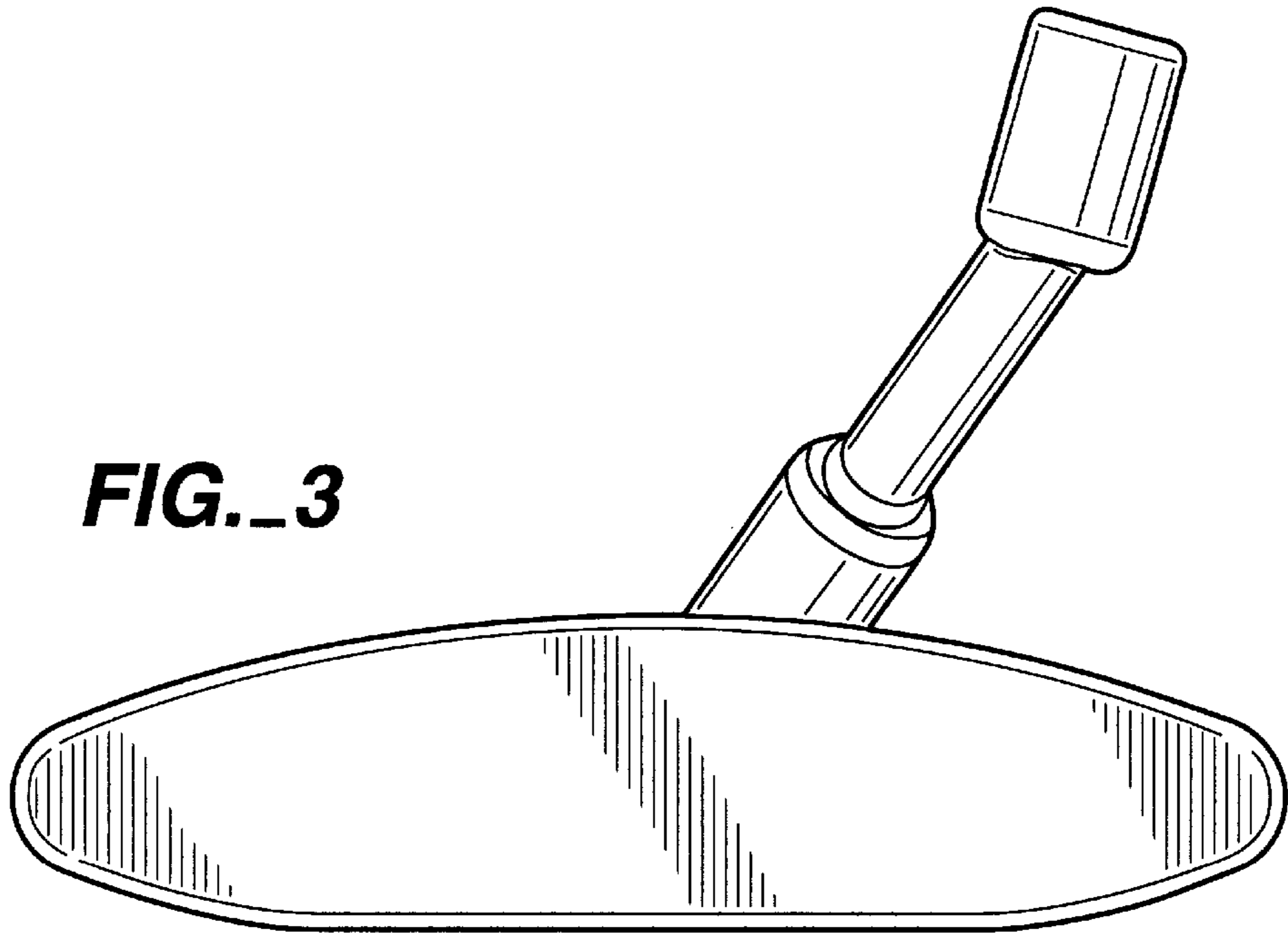


FIG._4

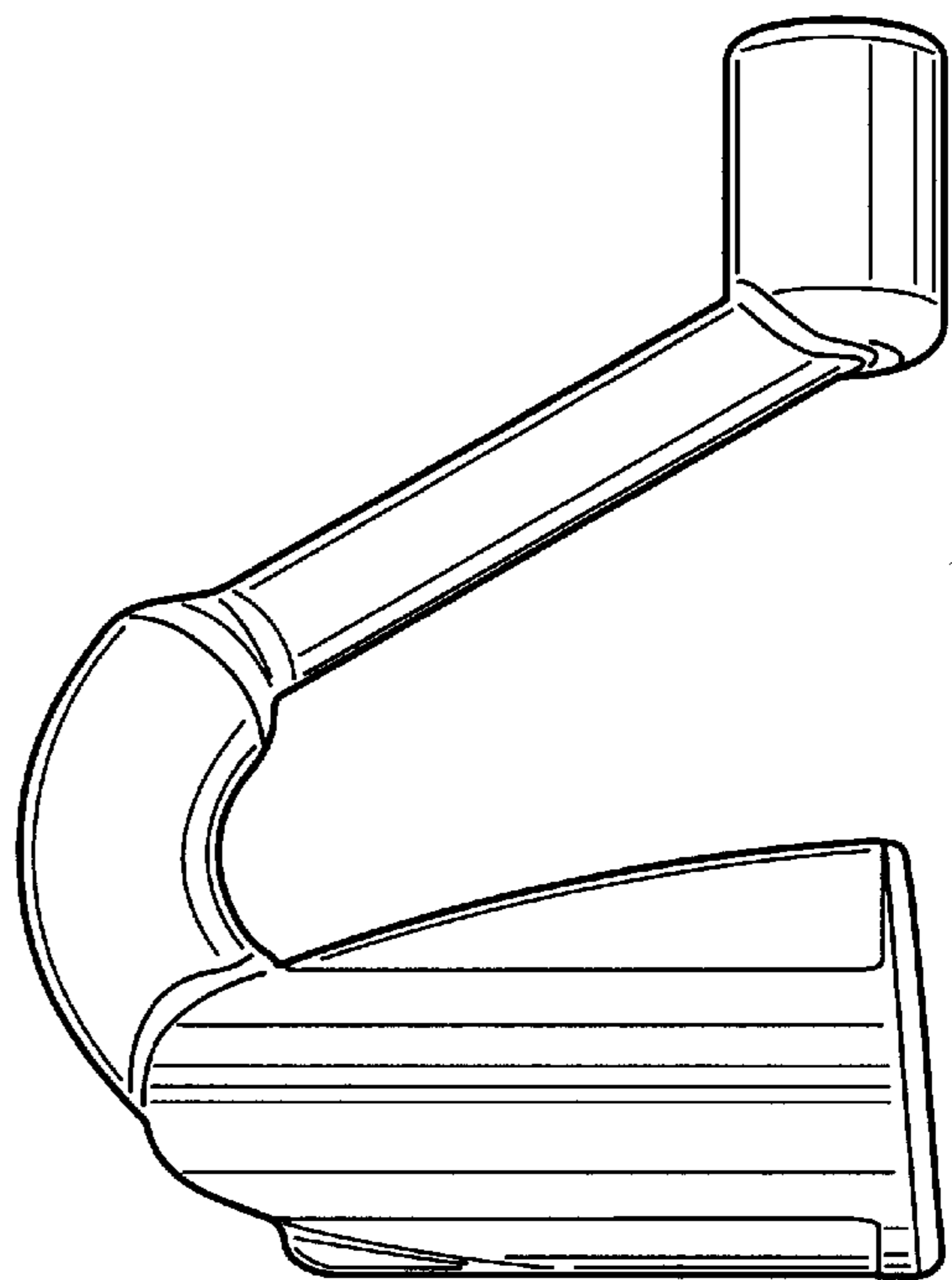


FIG._6

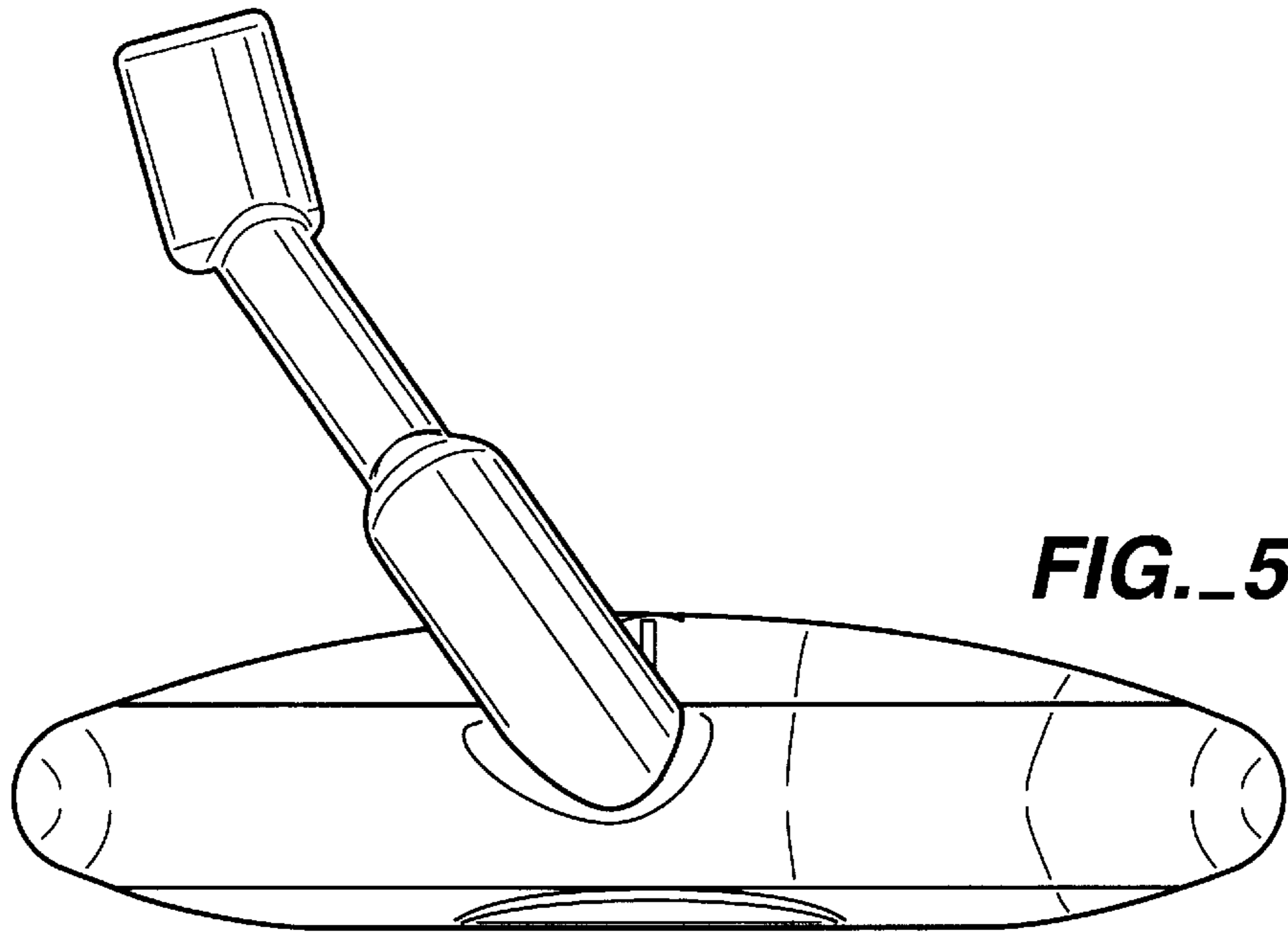


FIG._5

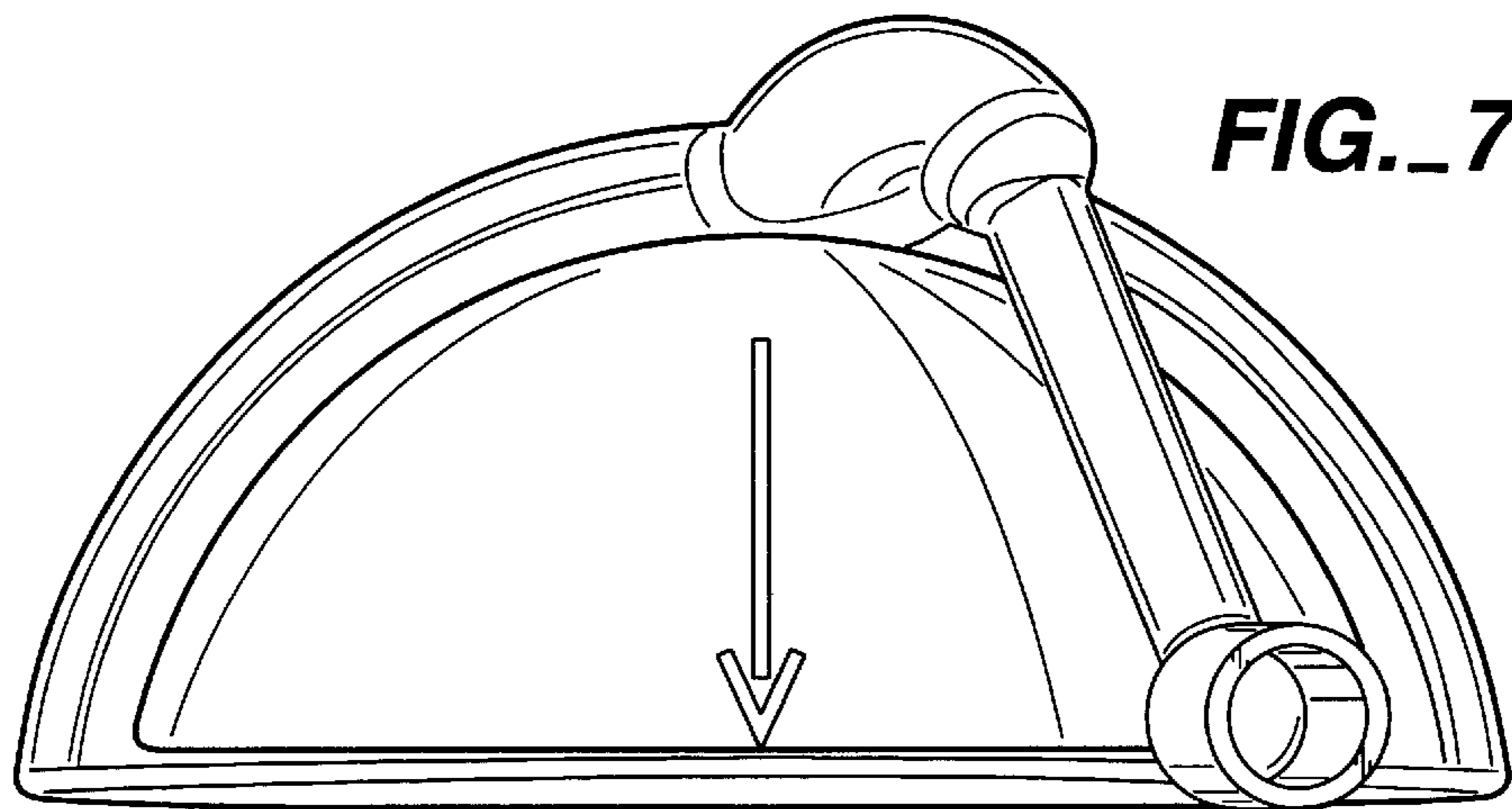


FIG._7

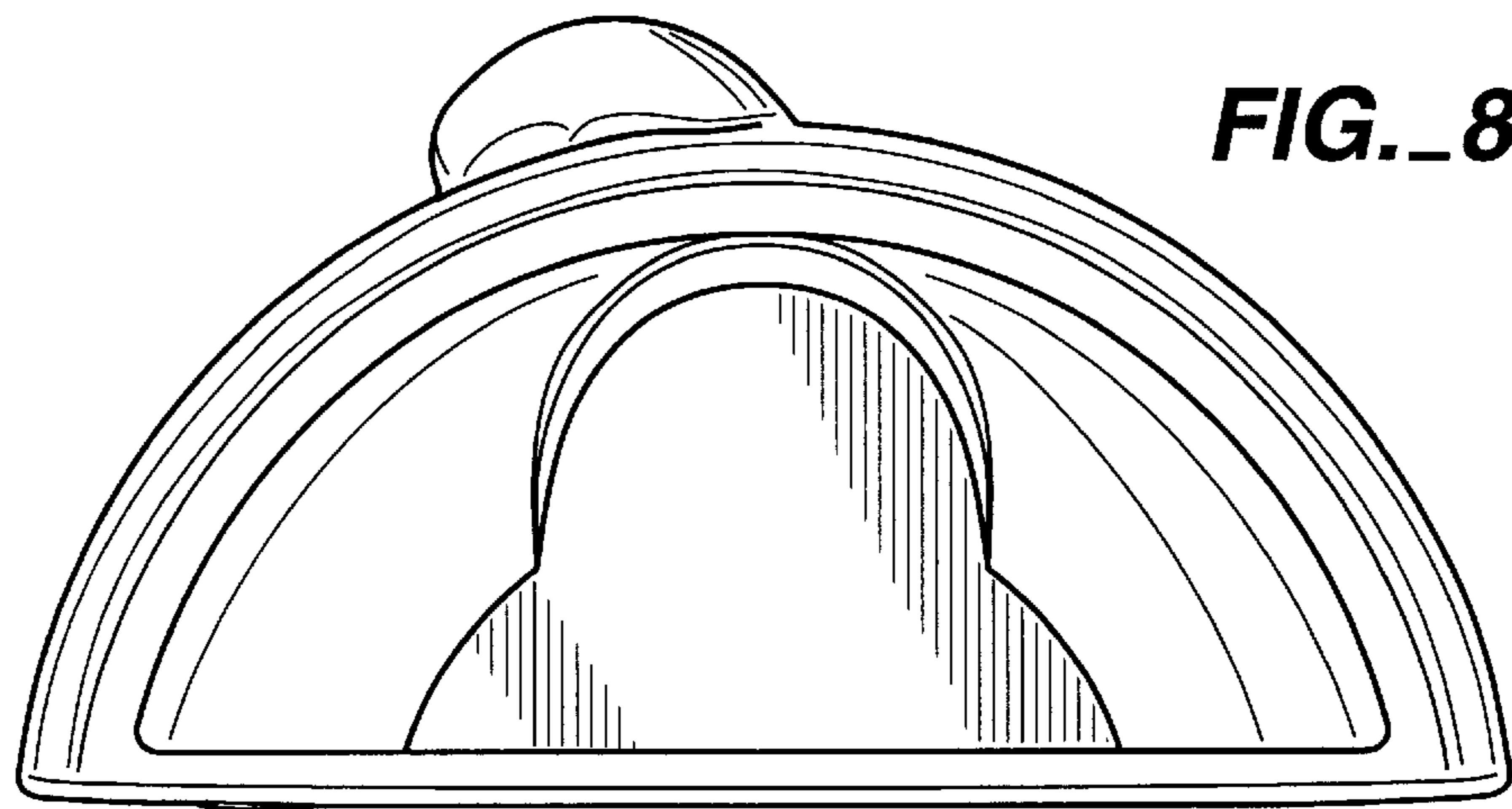


FIG._8