



US00D434820S

United States Patent [19]

[11] Patent Number: **Des. 434,820**

Reed et al.

[45] Date of Patent: **** Dec. 5, 2000**

[54] GOLF PUTTER HEAD

[75] Inventors: **Timothy R. Reed**, Hawthorne Woods;
Katrina D. Buerkle, Chicago; **John G. Wooster**, Winnetka, all of Ill.

[73] Assignee: **TearDrop Golf Company**, Morton Grove, Ill.

[**] Term: **14 Years**

780,776	1/1905	Brown .	
1,046,343	12/1912	Smith .	
1,089,881	3/1914	Taylor, Jr. .	
3,880,430	4/1975	McCabe	273/183
3,997,170	12/1976	Goldberg	273/164
4,065,133	12/1977	Gordos	273/167
4,073,492	2/1978	Taylor	273/80.2
4,123,056	10/1978	Nakamatsu	273/78
4,128,244	12/1978	Duclos	273/164

(List continued on next page.)

[21] Appl. No.: **29/109,410**

[22] Filed: **Aug. 13, 1999**

[51] **LOC (7) Cl.** **21-02**

[52] **U.S. Cl.** **D21/744**

[58] **Field of Search** D21/736-746;
473/251-256, 324, 327, 328, 340, 341

[56] References Cited

U.S. PATENT DOCUMENTS

D. 44,457	8/1913	Taylor, Jr. .	
D. 192,515	4/1962	Henrich	D34/5
D. 204,466	4/1966	Sowers	D34/3
D. 228,563	10/1973	Brower	D34/5
D. 228,927	10/1973	Brower	D21/2
D. 240,751	7/1976	Taylor	D34/5
D. 247,585	3/1978	Duclos	D34/5
D. 257,870	1/1981	MacDougall	D21/219
D. 257,872	1/1981	MacDougall	D21/219
D. 269,029	5/1983	Lowry	D21/219
D. 298,767	11/1988	Szczepanski	D21/219
D. 304,060	10/1989	Smith	D21/217
D. 318,701	7/1991	Antonious	D21/214
D. 333,332	2/1993	McCabe et al.	D21/219
D. 335,907	5/1993	Francu	D21/219
D. 347,253	5/1994	Cook	D21/219
D. 356,846	3/1995	Murrill	D21/219
D. 364,205	11/1995	Duclos	D21/217
D. 381,383	7/1997	Brett	D21/219
D. 393,674	4/1998	Rhee	D21/217
D. 394,688	5/1998	Fox	D21/214
D. 397,178	8/1998	Havers et al.	D21/219
D. 399,899	10/1998	Sizemore, Jr.	D21/211
D. 405,137	2/1999	Nelson	D21/738

OTHER PUBLICATIONS

Advertisements of Jul. 2, 1976 *Golf World*, p. 31; Jun., 1976 *Golf Digest*, p. 30.

Advertisements of Aug., 1976 *Golf World*, p. 8; Dec., 1976 *Golf World*, p. 98; Dec., 1977 *Golf Digest*, pp. 122-123.

Advertisements of Jan., 1982 *Golf Digest*, pp. 92-23.

Advertisements of Jun., 1985 *Golf Digest*, p. 32.

Primary Examiner—Mitchell Siegel

Attorney, Agent, or Firm—Tilton, Fallon, Lungmus & Chestnut

[57] CLAIM

The ornamental design for a golf putter head, as shown and described.

DESCRIPTION

FIG. 1 is a heel end rear perspective view of a golf putter head, showing our new design;

FIG. 2 is a heel end front perspective view thereof;

FIG. 3 is a top plan view thereof, showing the upper surface of the golf putter head;

FIG. 4 is a front elevational view thereof, showing the strike face surface of the golf putter head;

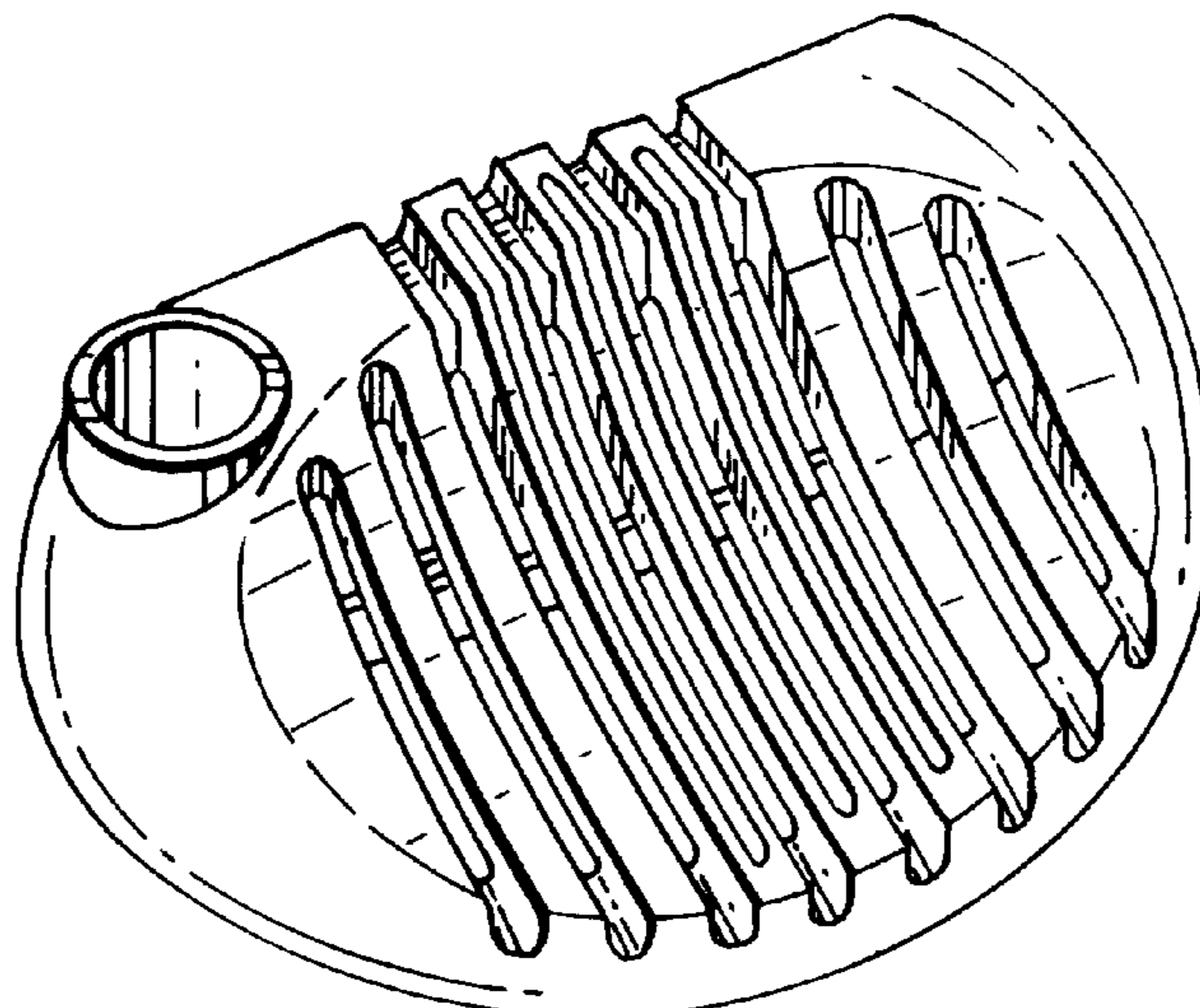
FIG. 5 is a bottom plan view thereof, showing the sole surface of the golf putter head;

FIG. 6 is a rear elevation view thereof, showing the rear side surface of the golf putter head;

FIG. 7 is a heel end elevation view thereof; and,

FIG. 8 is a toe end elevation view thereof.

1 Claim, 1 Drawing Sheet



U.S. PATENT DOCUMENTS

4,136,877	1/1979	Antonious	273/164	5,221,086	6/1993	Antonious	273/167
4,213,613	7/1980	Nygren	273/169	5,273,282	12/1993	Cannon	273/164
4,325,553	4/1982	Taylor	273/167	5,282,622	2/1994	Evans	273/164.1
4,458,900	7/1984	Antonious	273/164	5,346,219	9/1994	Pehoski et al.	273/168
4,519,612	5/1985	Tsao	273/163	5,429,366	7/1995	McCabe	273/187
4,722,528	2/1988	Tsao	273/164	5,489,097	2/1996	Simmons	273/170
4,834,387	5/1989	Waites et al.	273/164	5,533,728	7/1996	Pehoski et al.	473/252
4,930,783	6/1990	Antonious	273/164	5,551,694	9/1996	Grim, Jr. et al.	473/234
4,986,544	1/1991	Benson	273/183	5,558,332	9/1996	Cook	473/341
5,160,144	11/1992	Maniatis	273/186.2	5,683,307	11/1997	Rife	473/313
				5,720,668	2/1998	Brett	473/252

FIG. 1

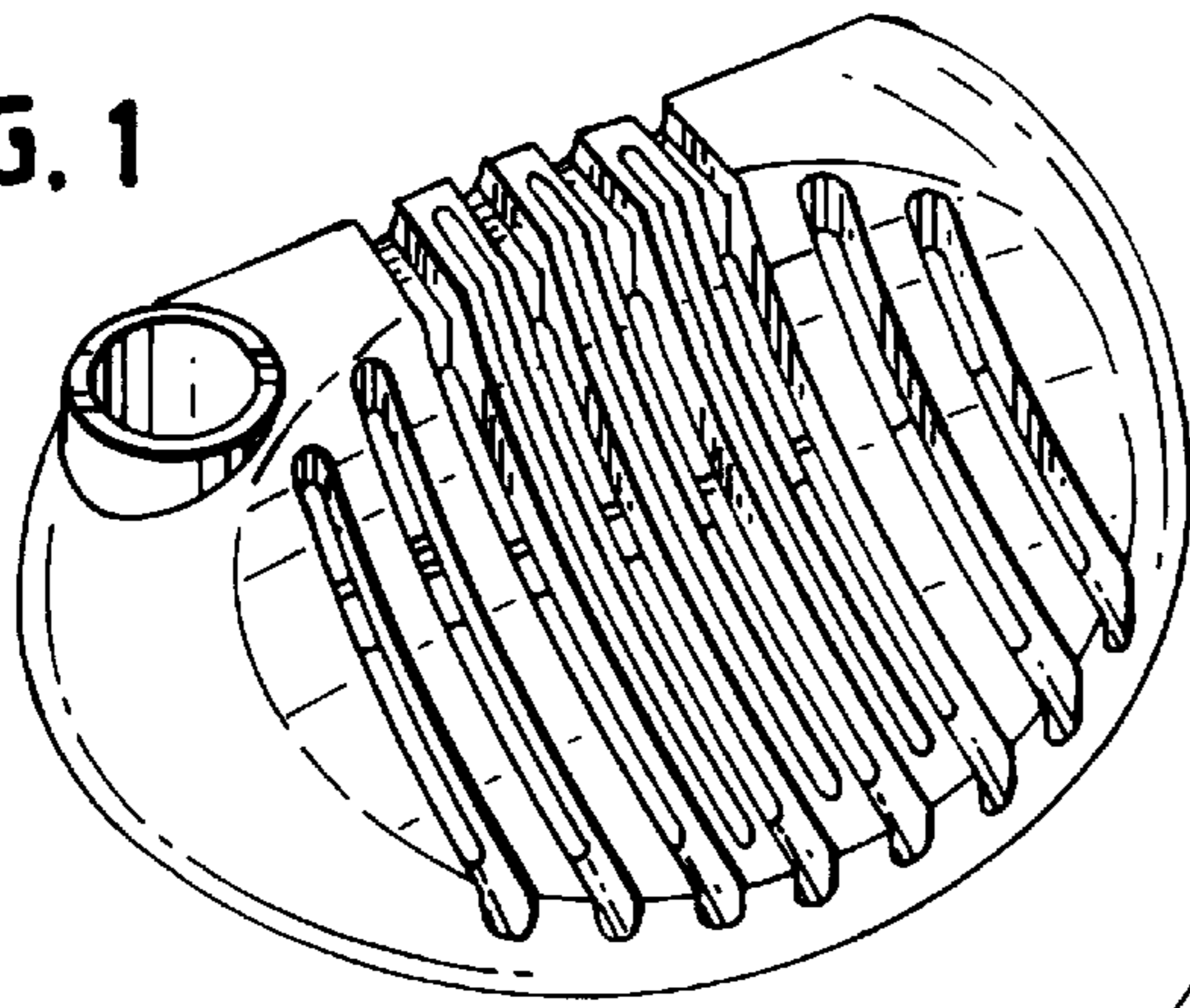


FIG. 2

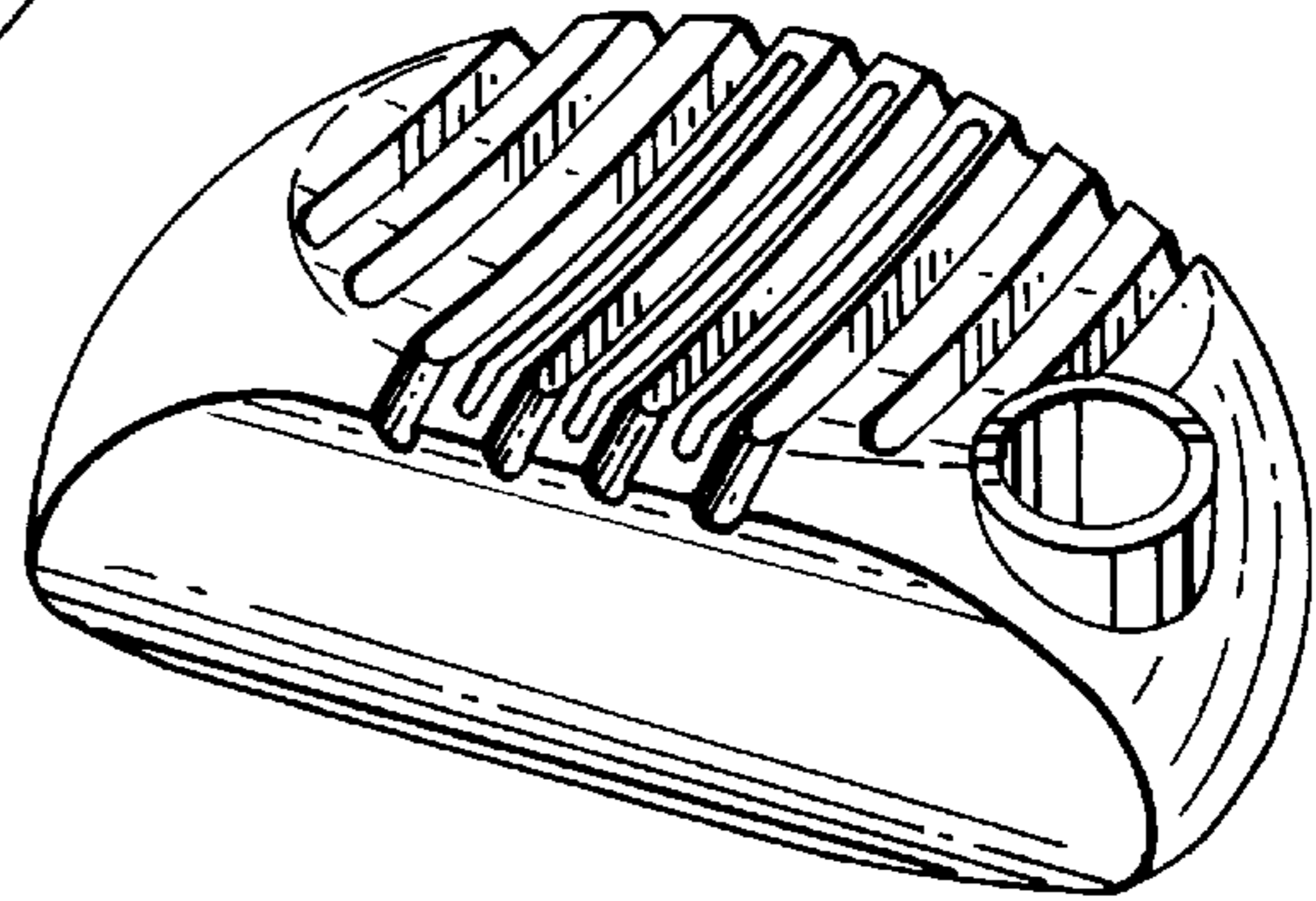


FIG. 3

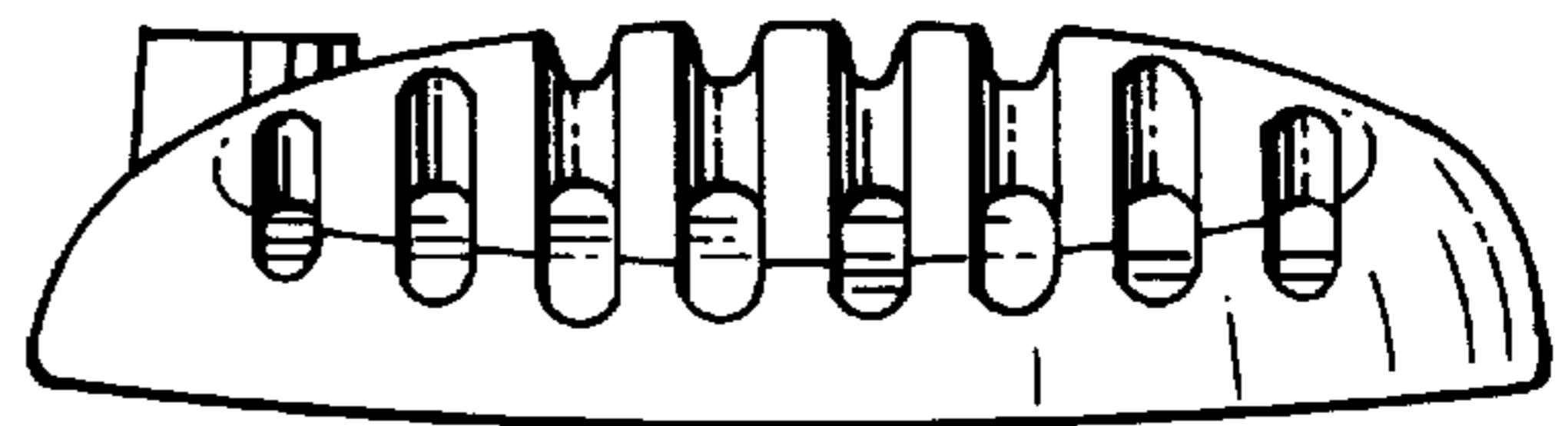
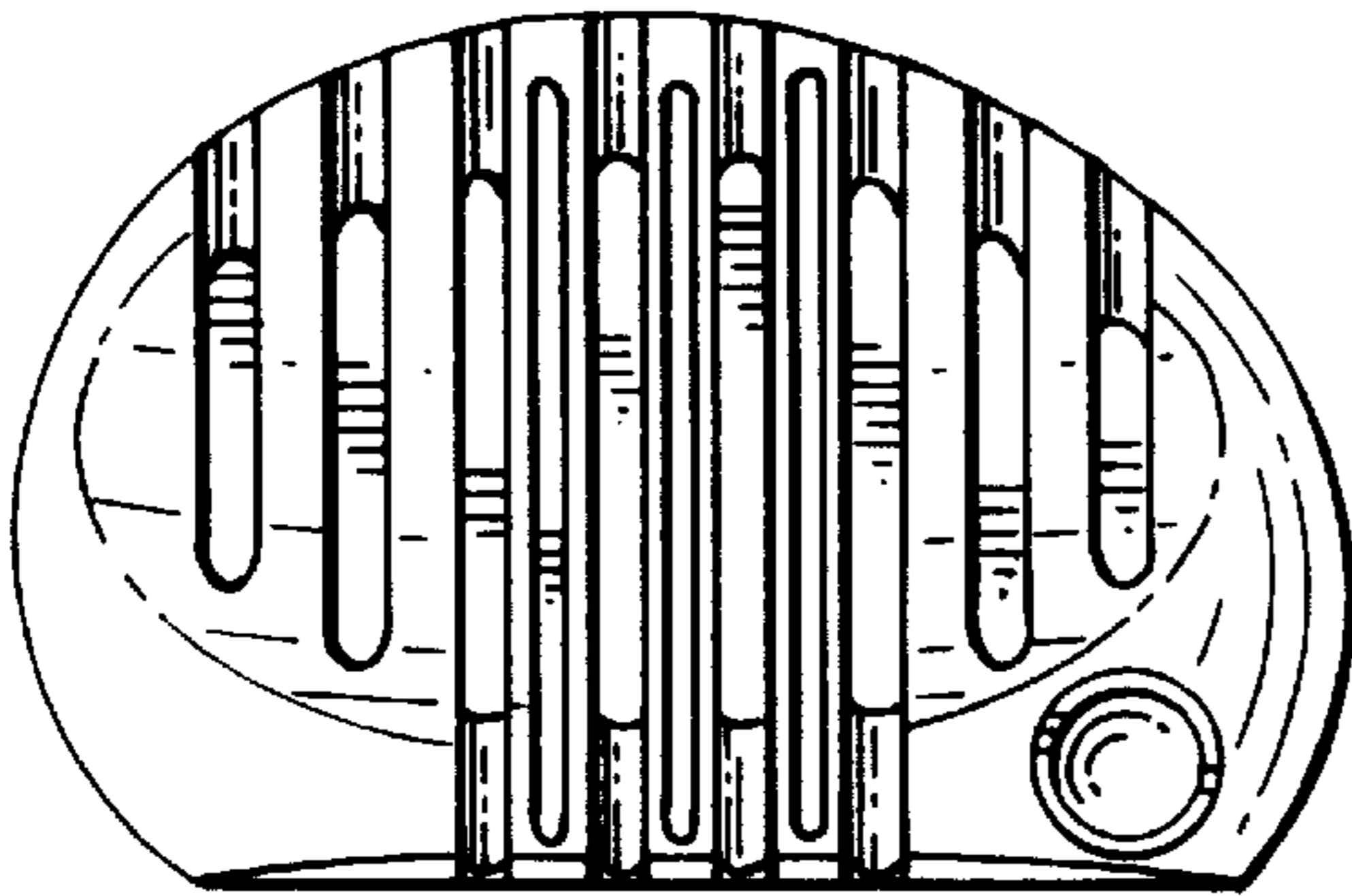


FIG. 6

FIG. 4



FIG. 7

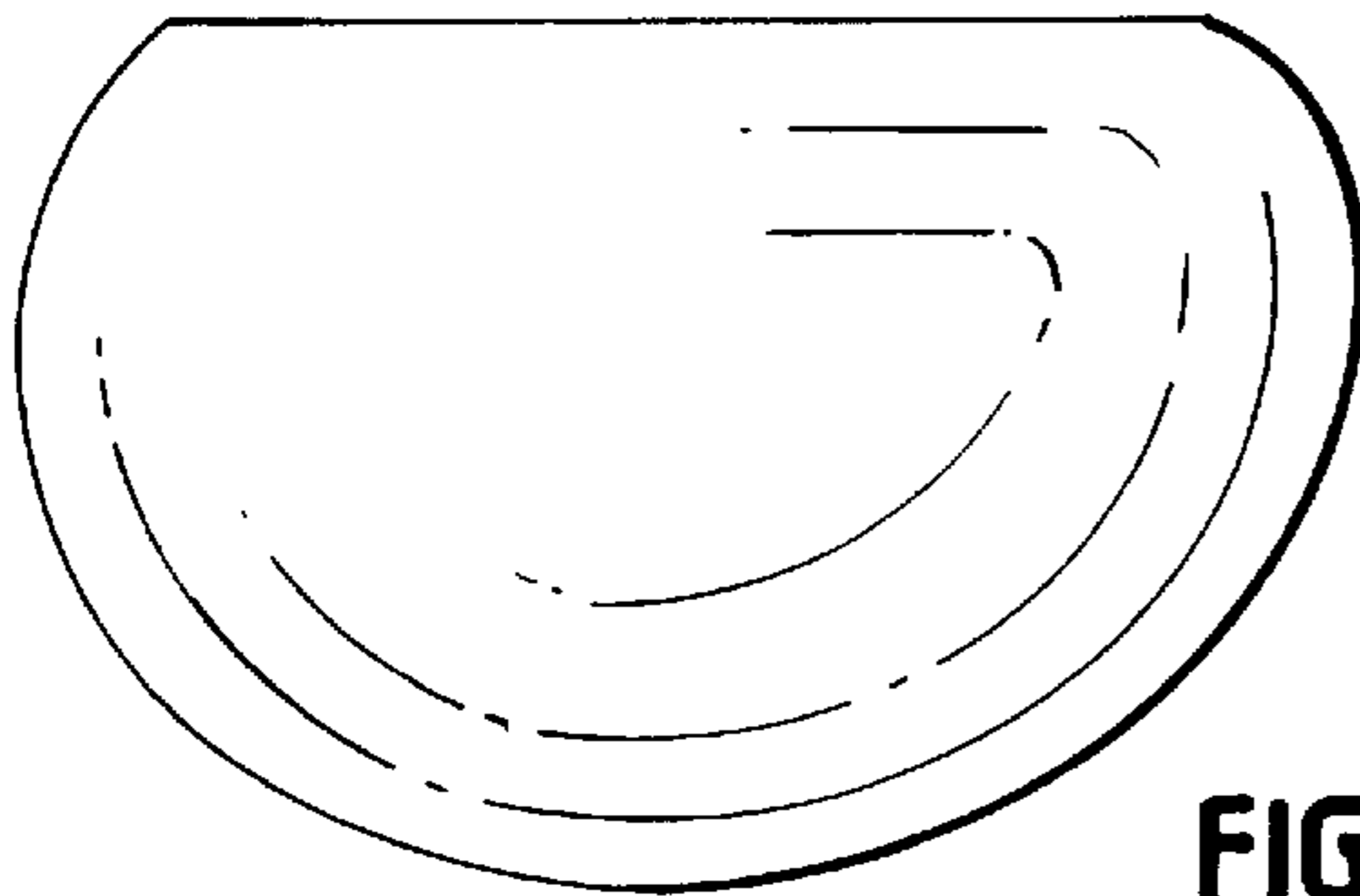


FIG. 5



FIG. 8