



US00D434817S

United States Patent [19]
Cole, Jr.

[11] **Patent Number: Des. 434,817**

[45] **Date of Patent: ** Dec. 5, 2000**

[54] **GOLF TEE**

1,633,686 6/1927 Stone 473/401
3,559,998 2/1971 Kelly 473/401

[76] Inventor: **Elijah Cole, Jr.**, 3625 Ridgewood Way,
Richmond, Calif. 94806

Primary Examiner—Dominic Simone

[**] Term: **14 Years**

[57] **CLAIM**

The ornamental design for a golf tee, as shown and described.

[21] Appl. No.: **29/086,342**

[22] Filed: **Jul. 21, 1999**

DESCRIPTION

[51] **LOC (7) Cl.** **21-02**

[52] **U.S. Cl.** **D21/718**

[58] **Field of Search** D21/718; 473/387-403

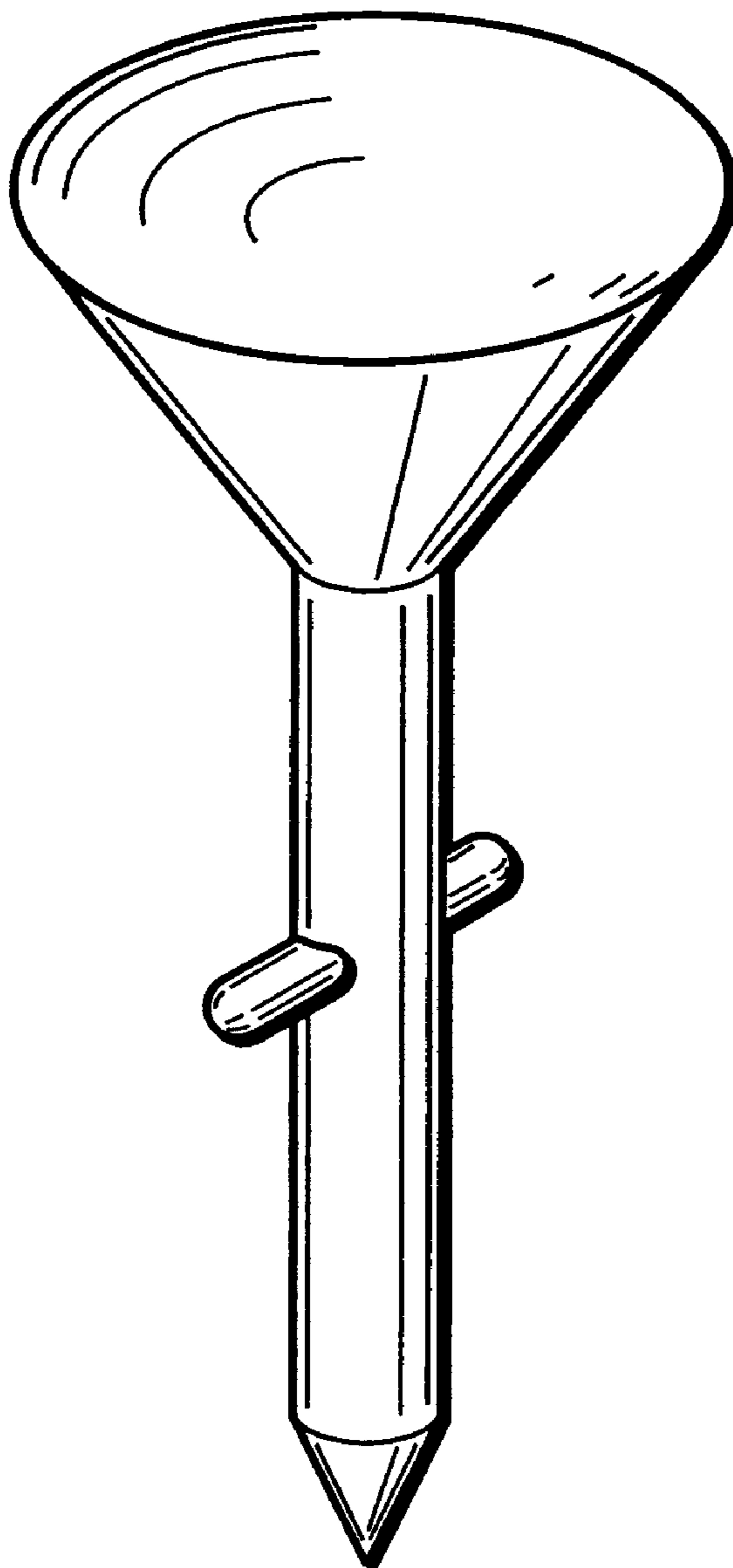
FIG. 1 is an upper left front perspective view;
FIG. 2 is a front elevational view, the rear is identical;
FIG. 3 is a right side elevational view, the left side is identical;
FIG. 4 is a top plan view; and,
FIG. 5 is a bottom plan view.

[56] **References Cited**

U.S. PATENT DOCUMENTS

D. 152,218 12/1948 Reifman D21/718

1 Claim, 1 Drawing Sheet



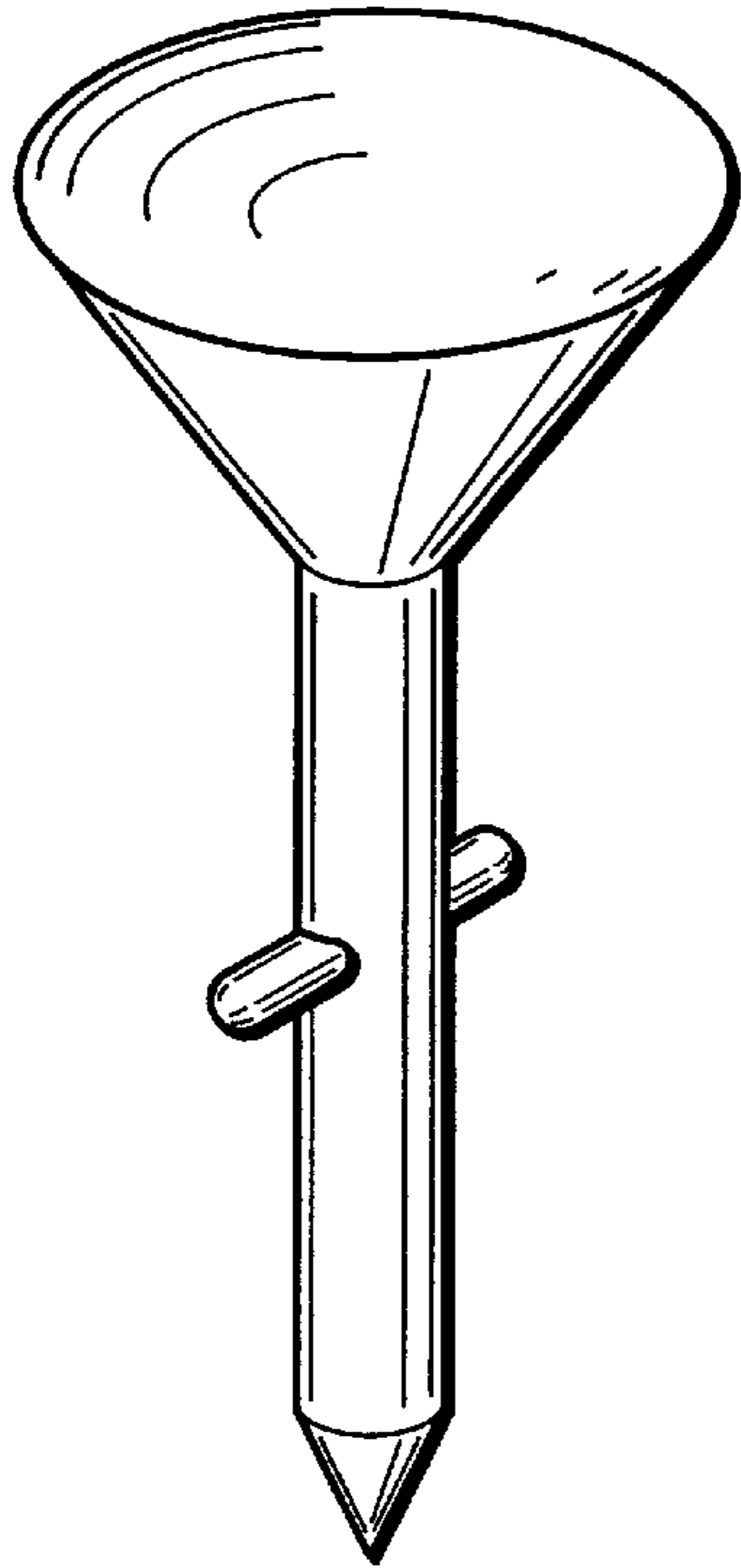


FIG._1

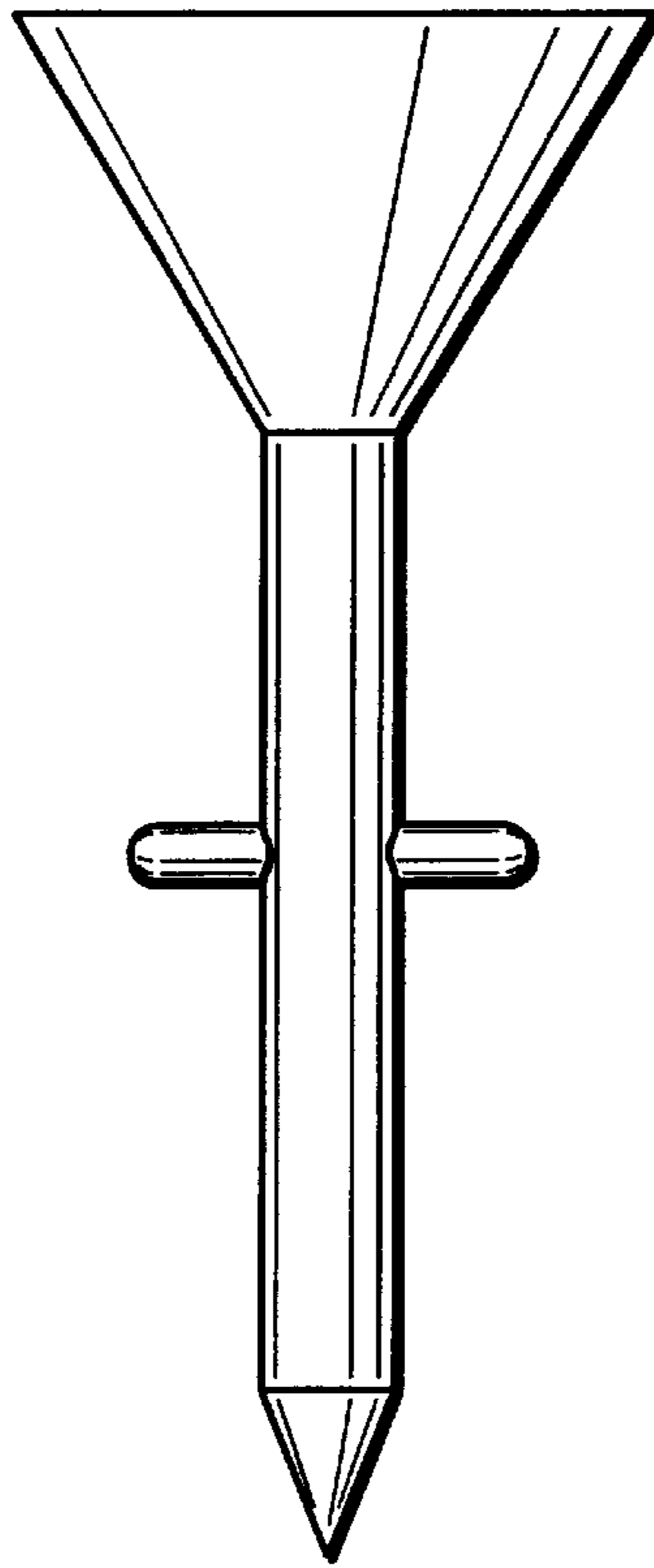


FIG._2

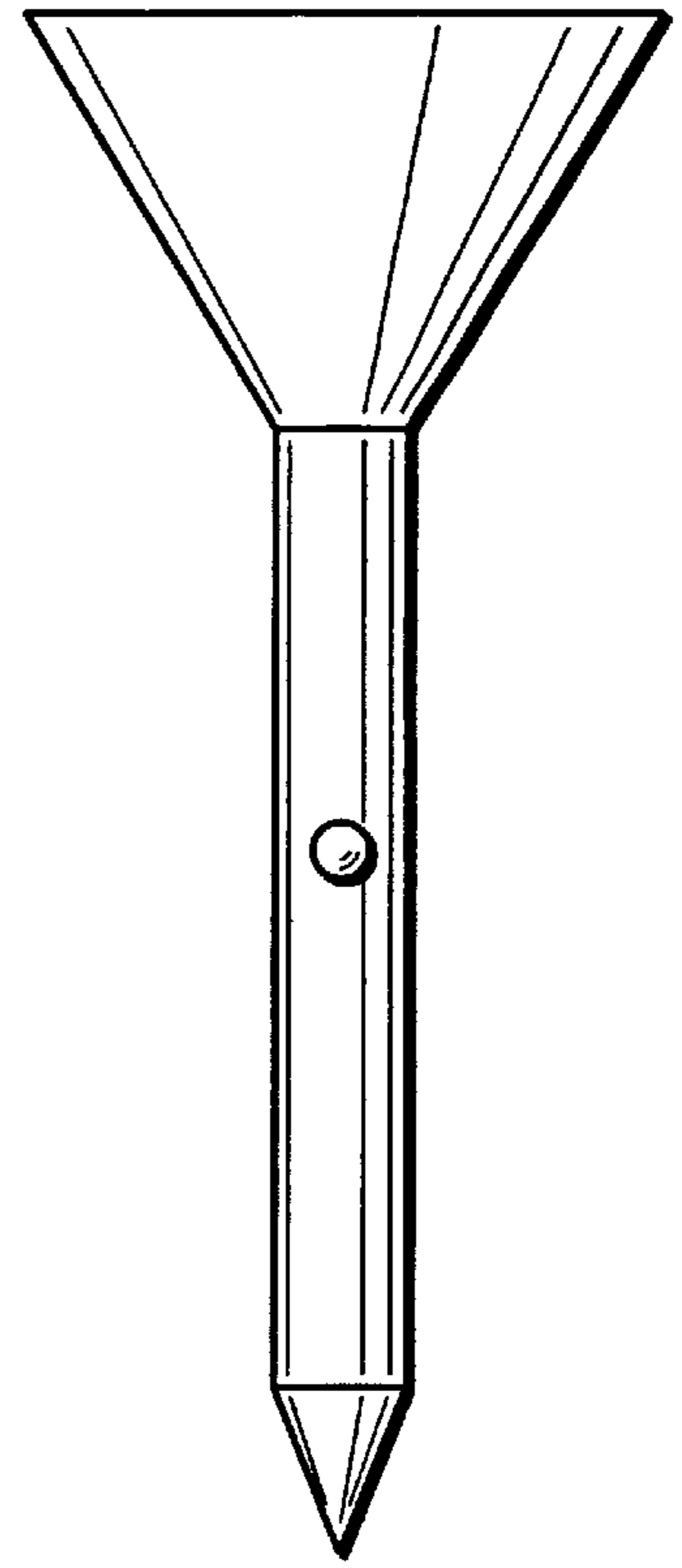


FIG._3

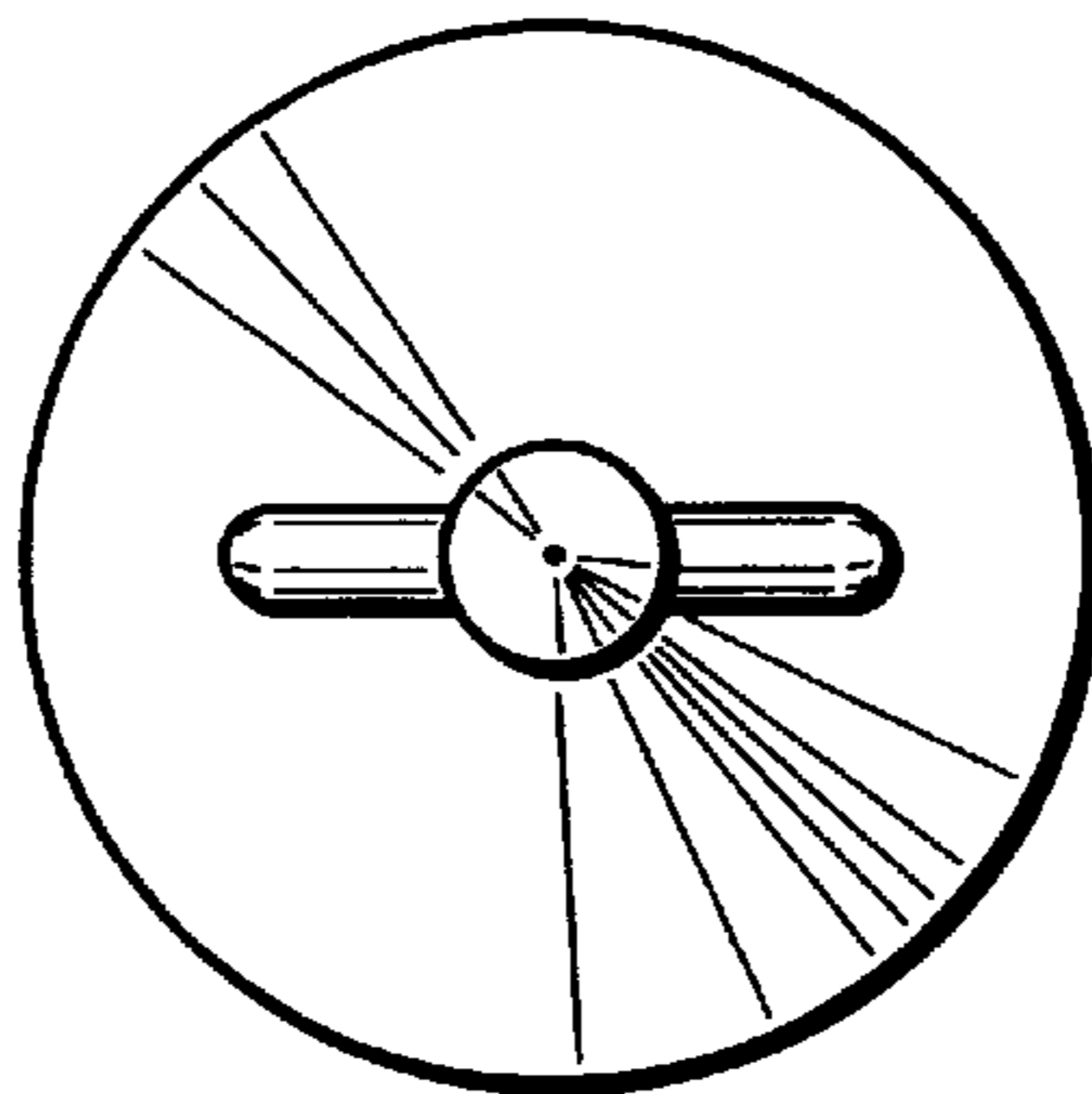


FIG._5

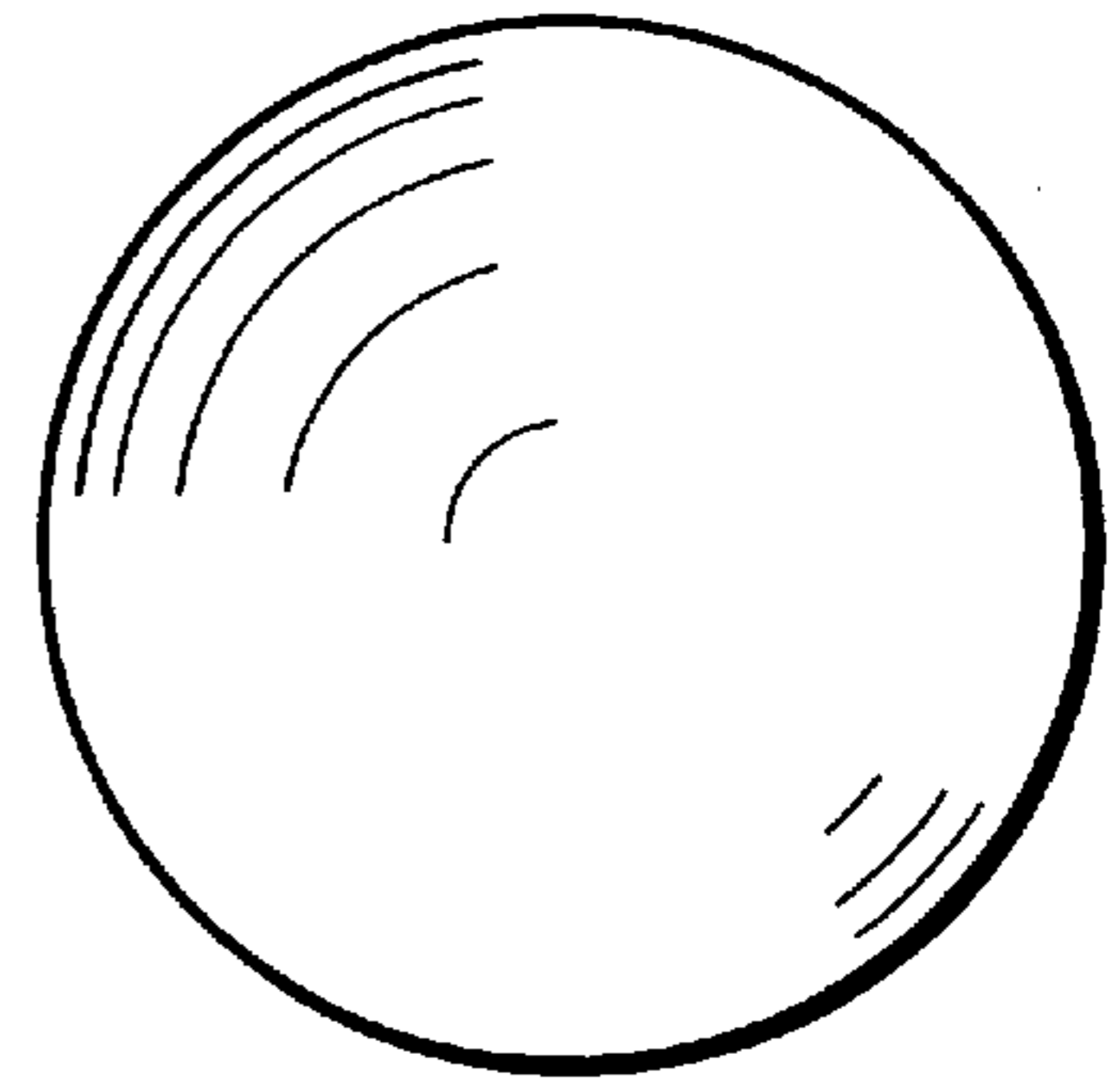


FIG._4